



US00D922717S

(12) **United States Design Patent**
Bae et al.

(10) **Patent No.:** **US D922,717 S**

(45) **Date of Patent:** **** Jun. 15, 2021**

(54) **STAND FOR IRON**

(71) Applicant: **LG ELECTRONICS INC.**, Seoul (KR)

(72) Inventors: **Jaeil Bae**, Seoul (KR); **Kyutae Park**, Seoul (KR); **Kyungah Lee**, Seoul (KR); **Hoil Jeon**, Seoul (KR); **Youngsoo Ha**, Seoul (KR)

(73) Assignee: **LG ELECTRONICS INC.**, Seoul (KR)

(**) Term: **15 Years**

(21) Appl. No.: **29/724,590**

(22) Filed: **Feb. 18, 2020**

(30) **Foreign Application Priority Data**

Aug. 19, 2019 (KR) 30-2019-0039544

(51) **LOC (13) Cl.** **07-05**

(52) **U.S. Cl.**
USPC **D32/73**

(58) **Field of Classification Search**
USPC D32/71, 73, 72, 70, 69, 68, 35; D8/71, D8/373, 349, 396, 30; D15/144, 144.2; D28/73; 219/231, 242, 229; 165/80.1; 126/414
CPC D06F 75/34; D06F 75/08; D06F 75/38; D06F 75/00; F22B 27/14; B08B 3/006
See application file for complete search history.

(56) **References Cited**

U.S. PATENT DOCUMENTS

D470,986 S * 2/2003 Berthier D32/73
D561,419 S * 2/2008 Choi D32/73

D693,083 S * 11/2013 Smith D32/73
D707,904 S * 6/2014 Salagnac D32/73
D738,059 S * 9/2015 Esteve D32/73
D738,587 S * 9/2015 La Rovere D32/73
D759,330 S * 6/2016 Luang D32/73
D772,515 S * 11/2016 Orthey D32/73
D862,022 S * 10/2019 La Rovere D32/73
D915,020 S * 3/2021 Koszylko D32/73

* cited by examiner

Primary Examiner — Austin Murphy

(74) *Attorney, Agent, or Firm* — Birch, Stewart, Kolasch & Birch LLP

(57) **CLAIM**

We claim the ornamental design for a stand for iron, as shown and described.

DESCRIPTION

FIG. 1 is a perspective view of a stand for iron showing the new design;

FIG. 2 is a front elevation view thereof;

FIG. 3 is a rear elevation view thereof;

FIG. 4 is a left-side elevation view thereof;

FIG. 5 is a right-side elevation view thereof;

FIG. 6 is a top plan view thereof;

FIG. 7 is a bottom plan view thereof; and,

FIG. 8 is a left-side elevation view showing a state of use thereof.

Broken lines illustrate environmental condition only and form no part of the claimed design.

1 Claim, 8 Drawing Sheets

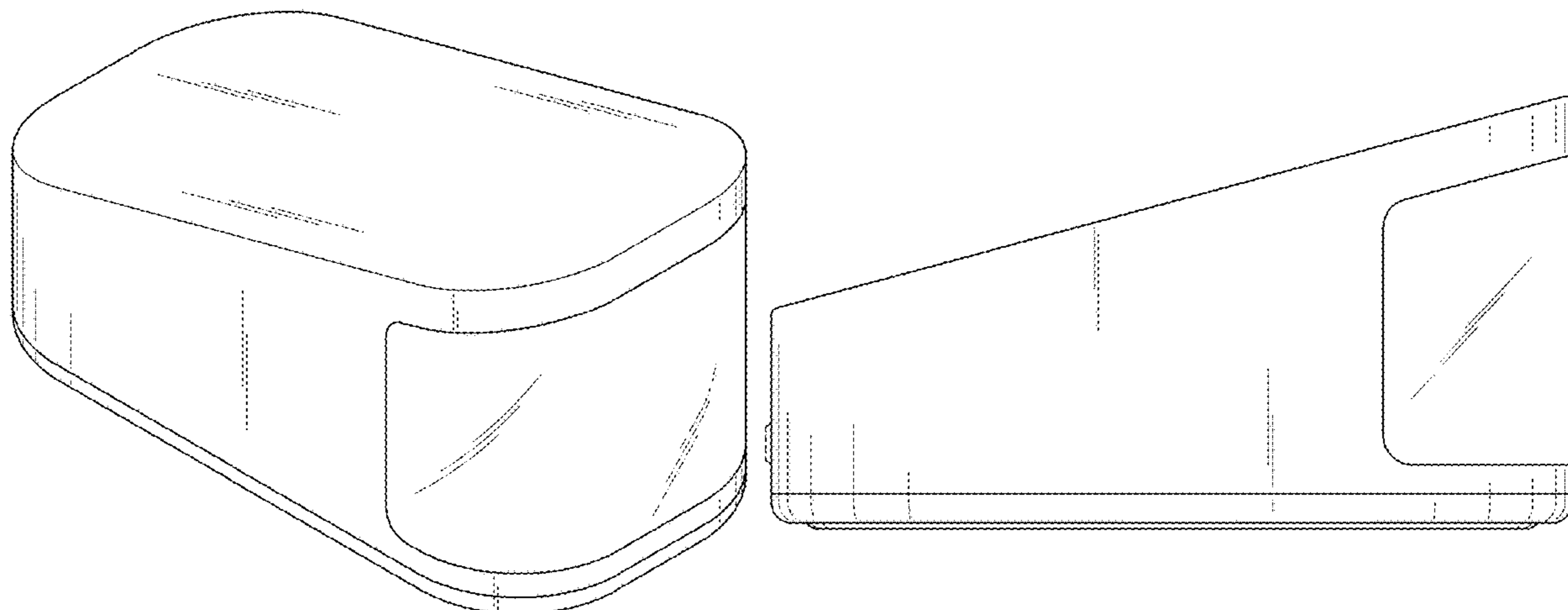


FIG. 1

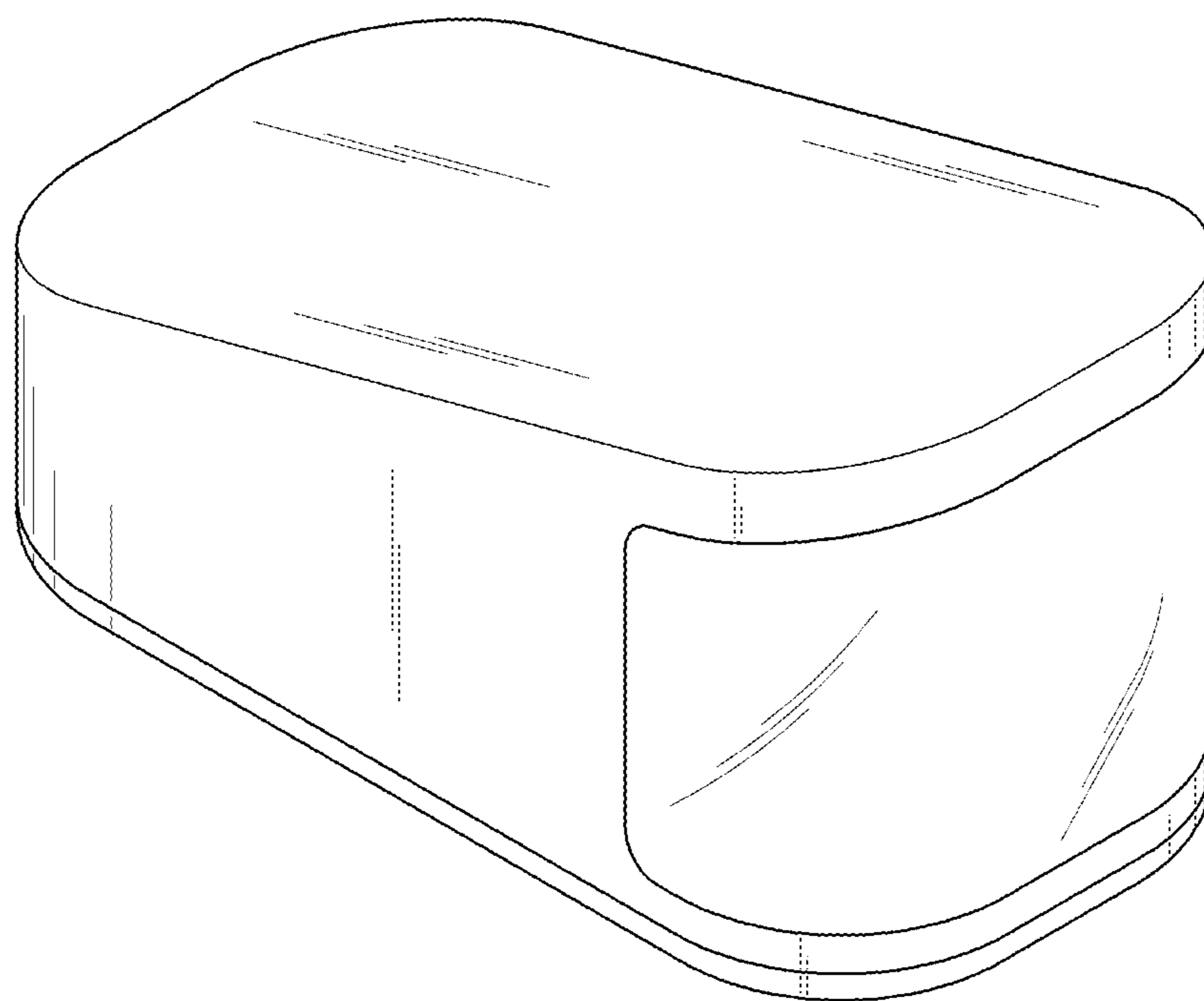


FIG. 2

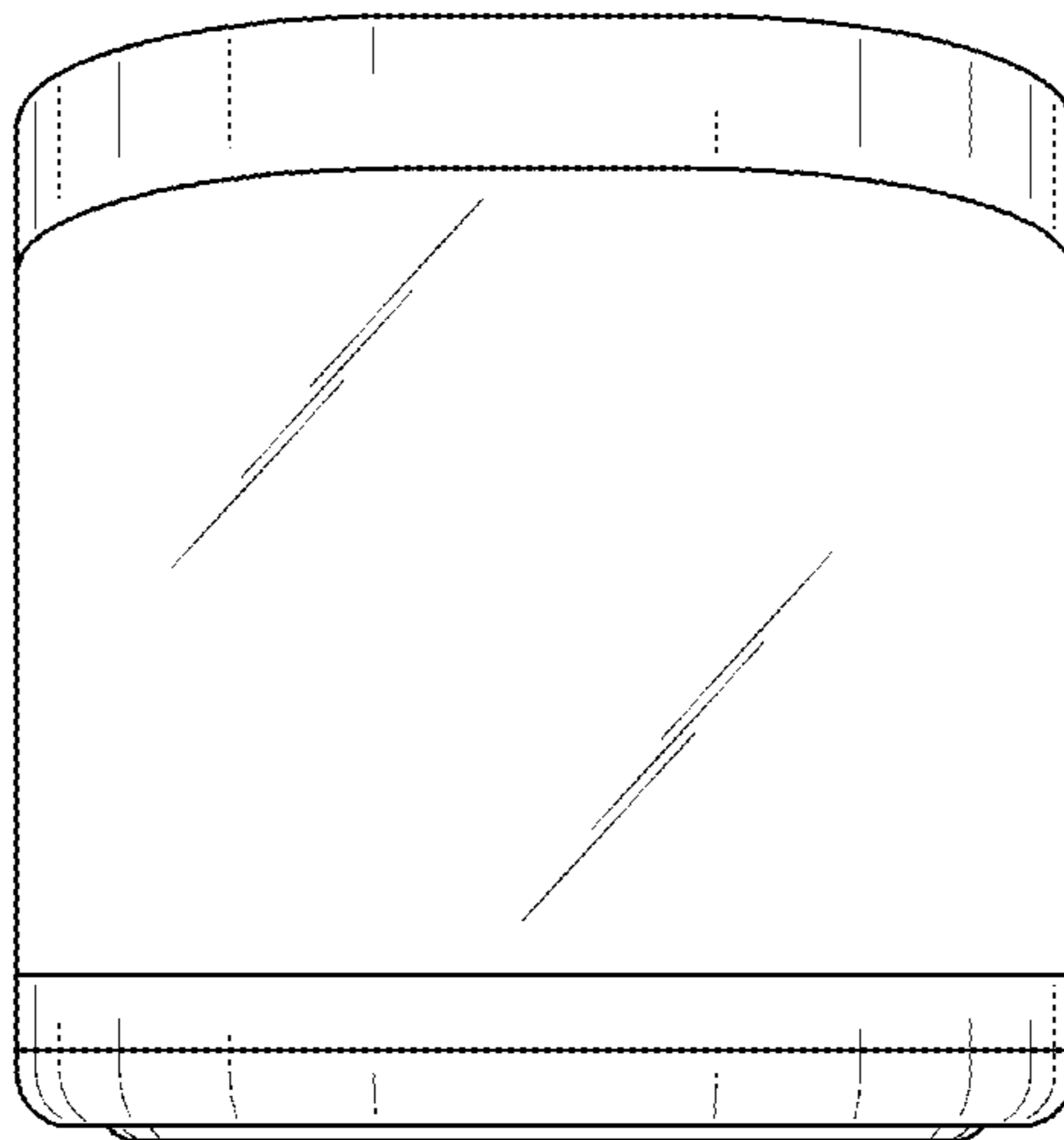


FIG. 3

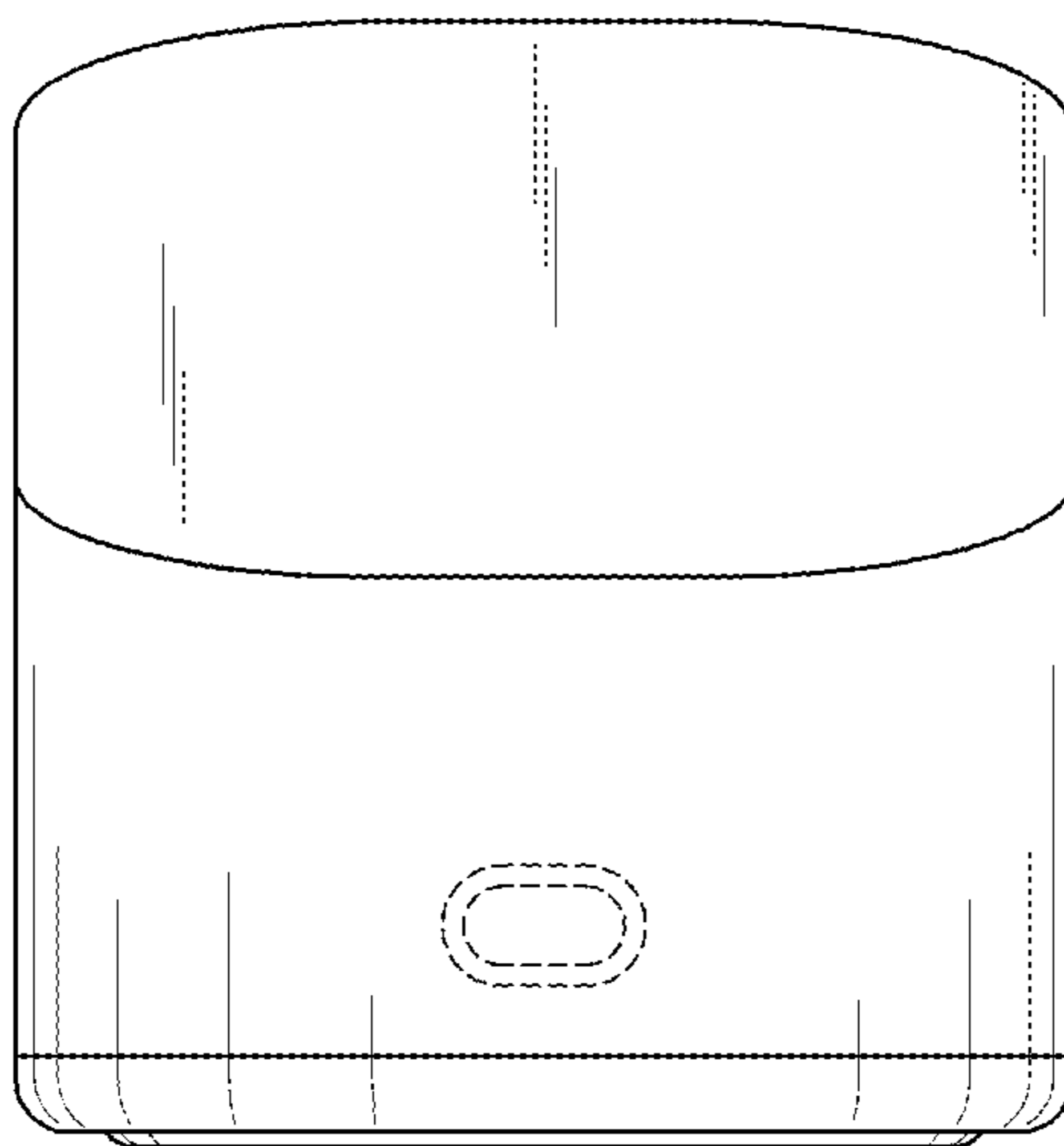


FIG. 4

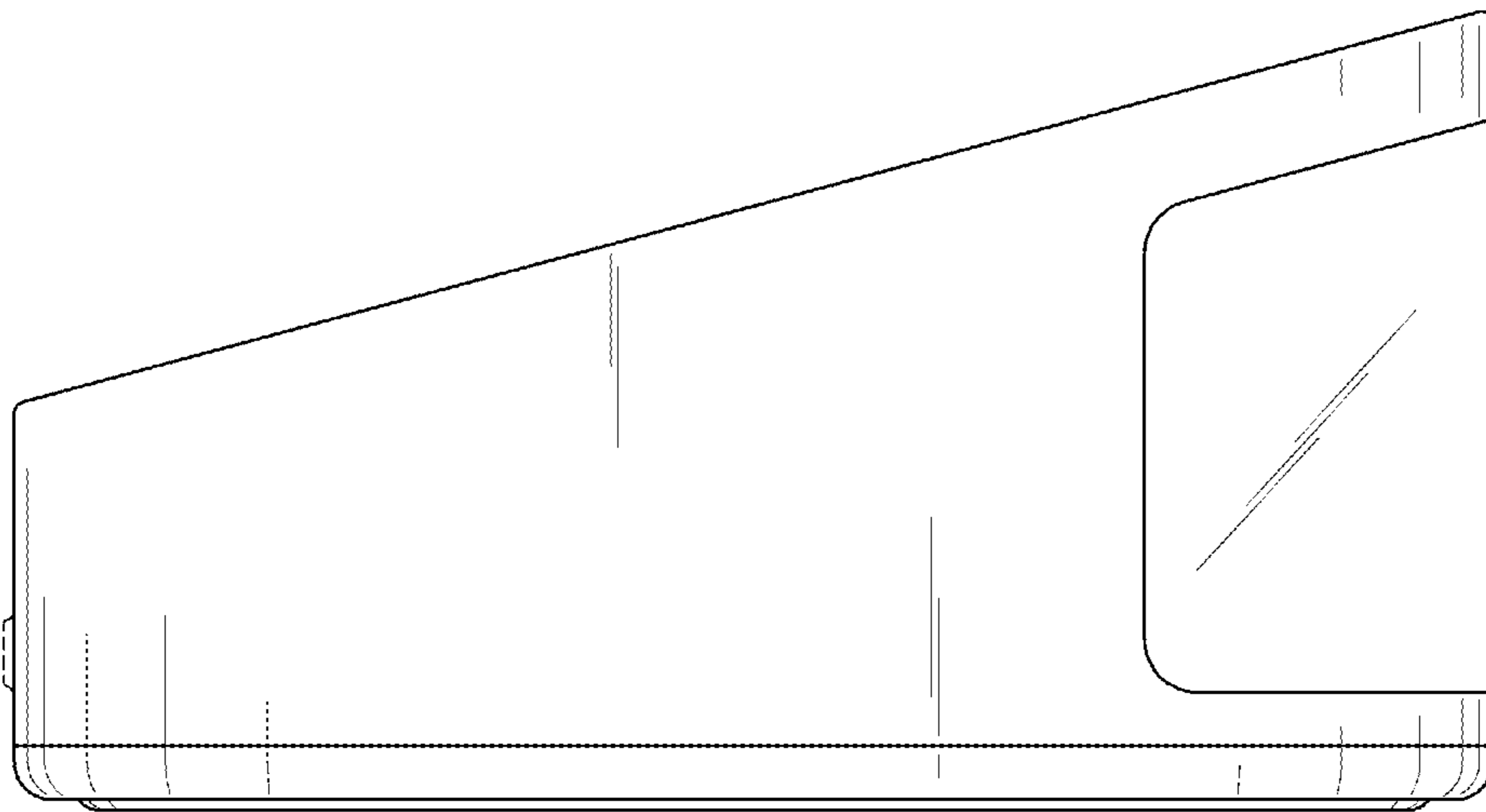


FIG. 5

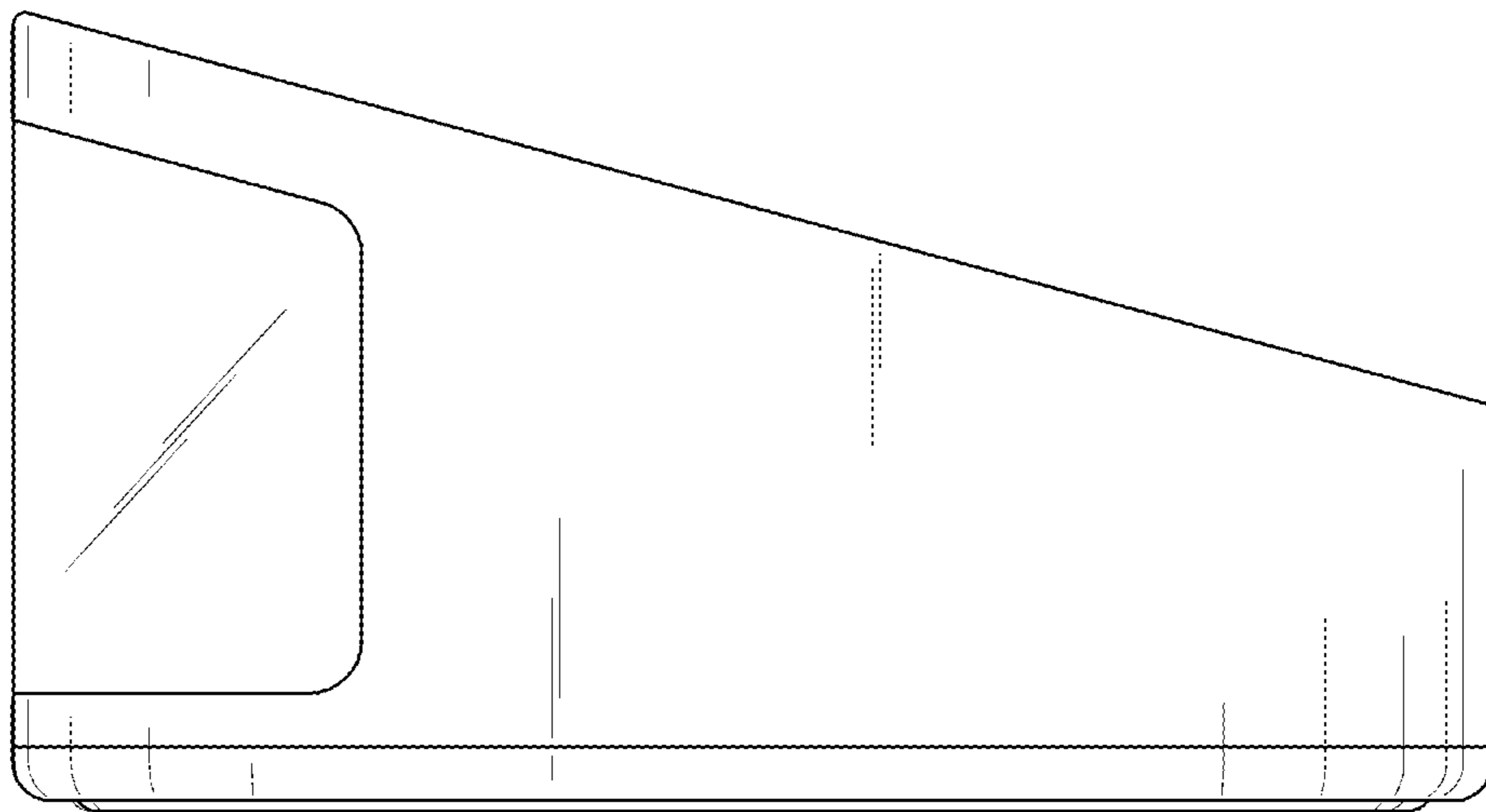


FIG. 6

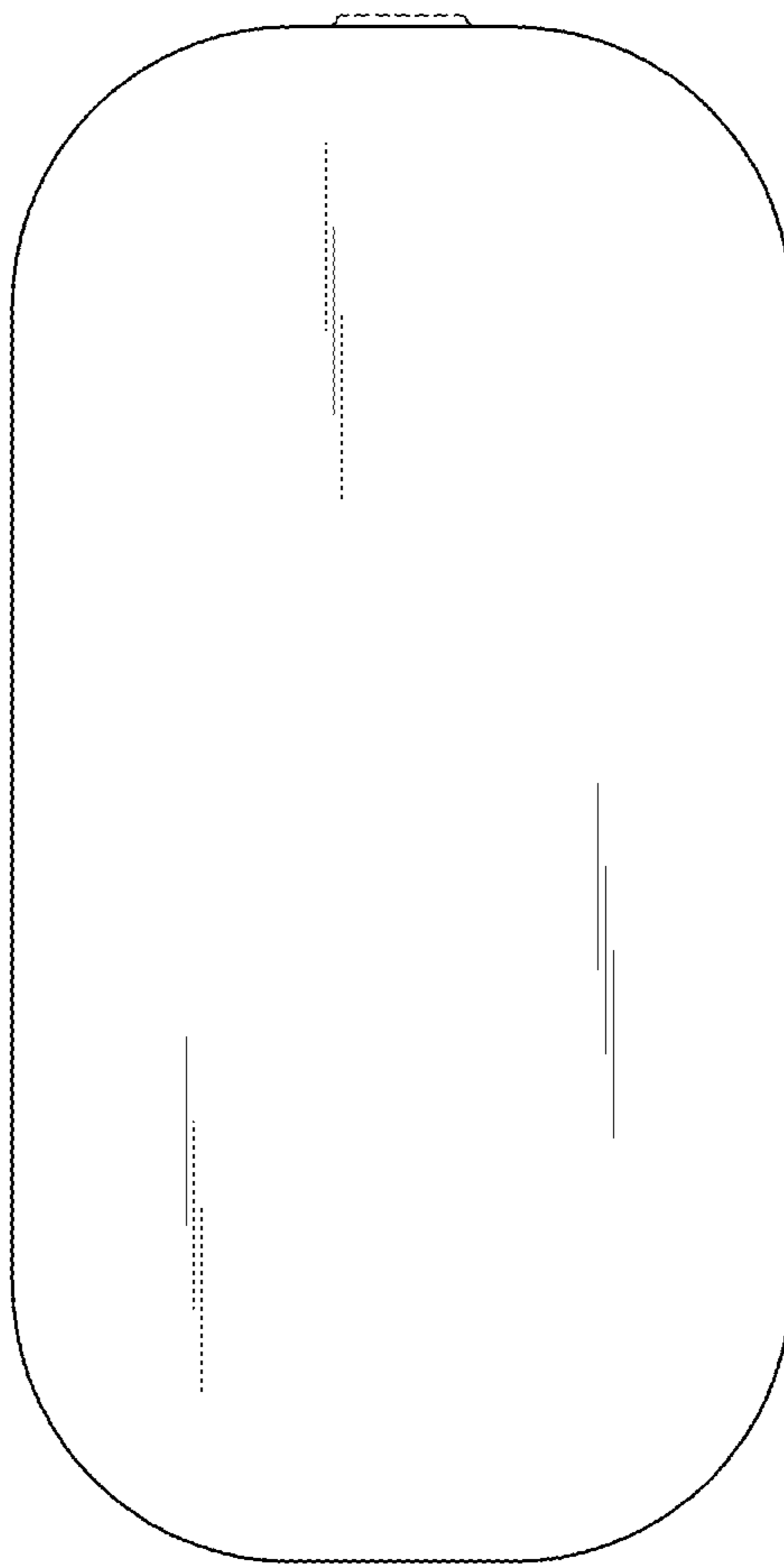


FIG. 7

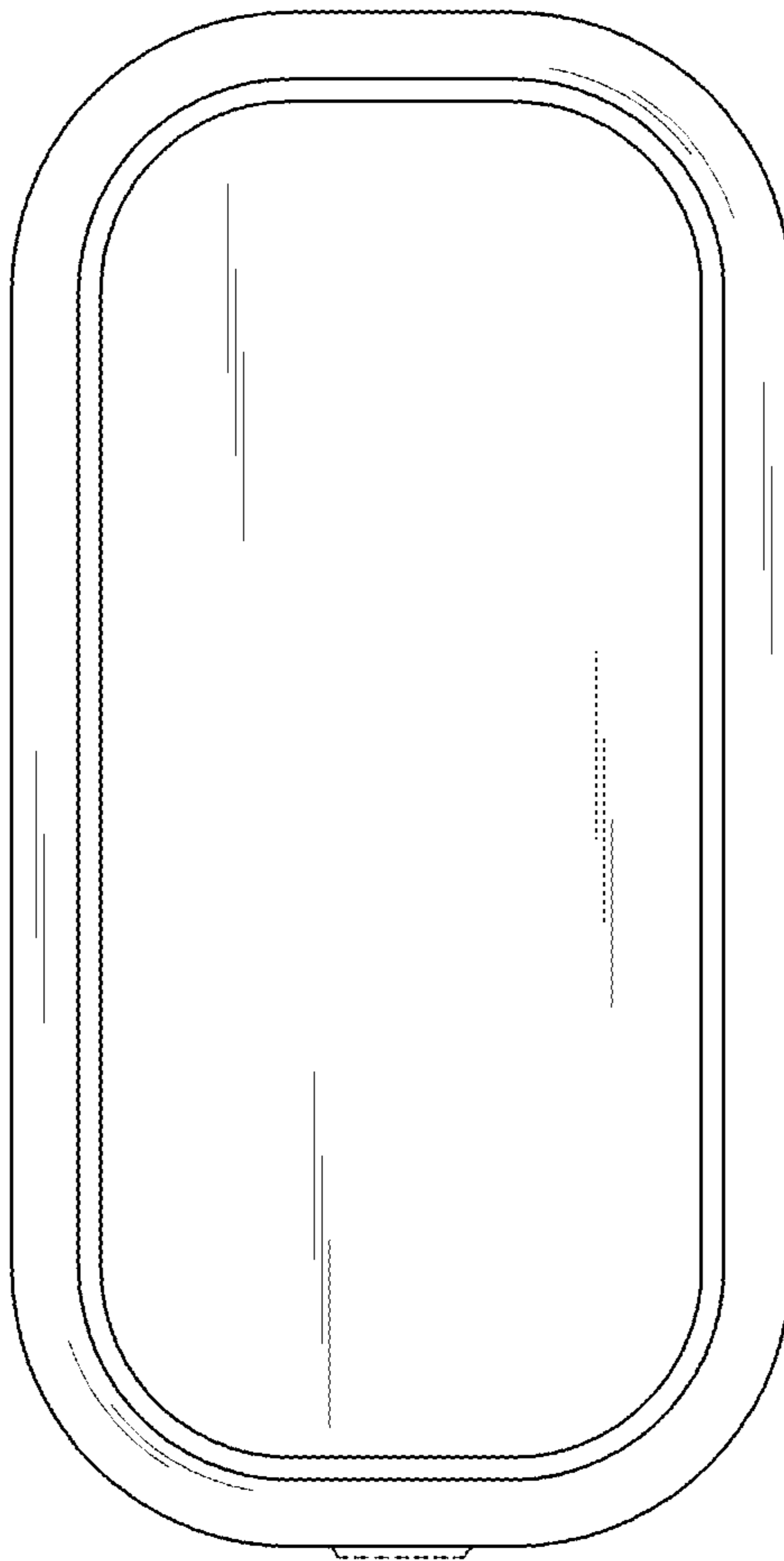


FIG. 8

