



US00D922714S

(12) **United States Design Patent**
Nash

(10) **Patent No.:** **US D922,714 S**
(45) **Date of Patent:** **** Jun. 15, 2021**

(54) **DUAL COMPARTMENT PAINT CONTAINER**

D460,845 S * 7/2002 Bergman D32/53.1
D481,502 S * 10/2003 Clark D32/53.1
D482,830 S * 11/2003 Kohn D32/53.1

(71) Applicant: **Vernon E. Nash**, Huber Heights, OH
(US)

(Continued)

(72) Inventor: **Vernon E. Nash**, Huber Heights, OH
(US)

FOREIGN PATENT DOCUMENTS

WO 2007005496 A1 1/2007

(**) Term: **15 Years**

OTHER PUBLICATIONS

(21) Appl. No.: **29/690,614**

Paint Container <https://www.grainger.ca/en/product/p/WOB8619> (Year: 2020).*

(22) Filed: **May 9, 2019**

(Continued)

(51) **LOC (13) Cl.** **07-05**

(52) **U.S. Cl.**
USPC **D32/53.1**

(58) **Field of Classification Search**
USPC D32/53, 53.1; D7/536; D30/124
CPC B44D 3/123; B44D 3/128; B44D 3/12;
B44D 3/126; B44D 3/121; A47L 13/142;
A47L 13/58; B05B 7/2408; B05B 7/2478;
B65D 1/26

See application file for complete search history.

Primary Examiner — Michelle E. Wilson
Assistant Examiner — Richard E Yenchesky
(74) *Attorney, Agent, or Firm* — Thomas E. Lees, LLC

(57) **CLAIM**

The ornamental design for a dual compartment paint container, as shown and described.

DESCRIPTION

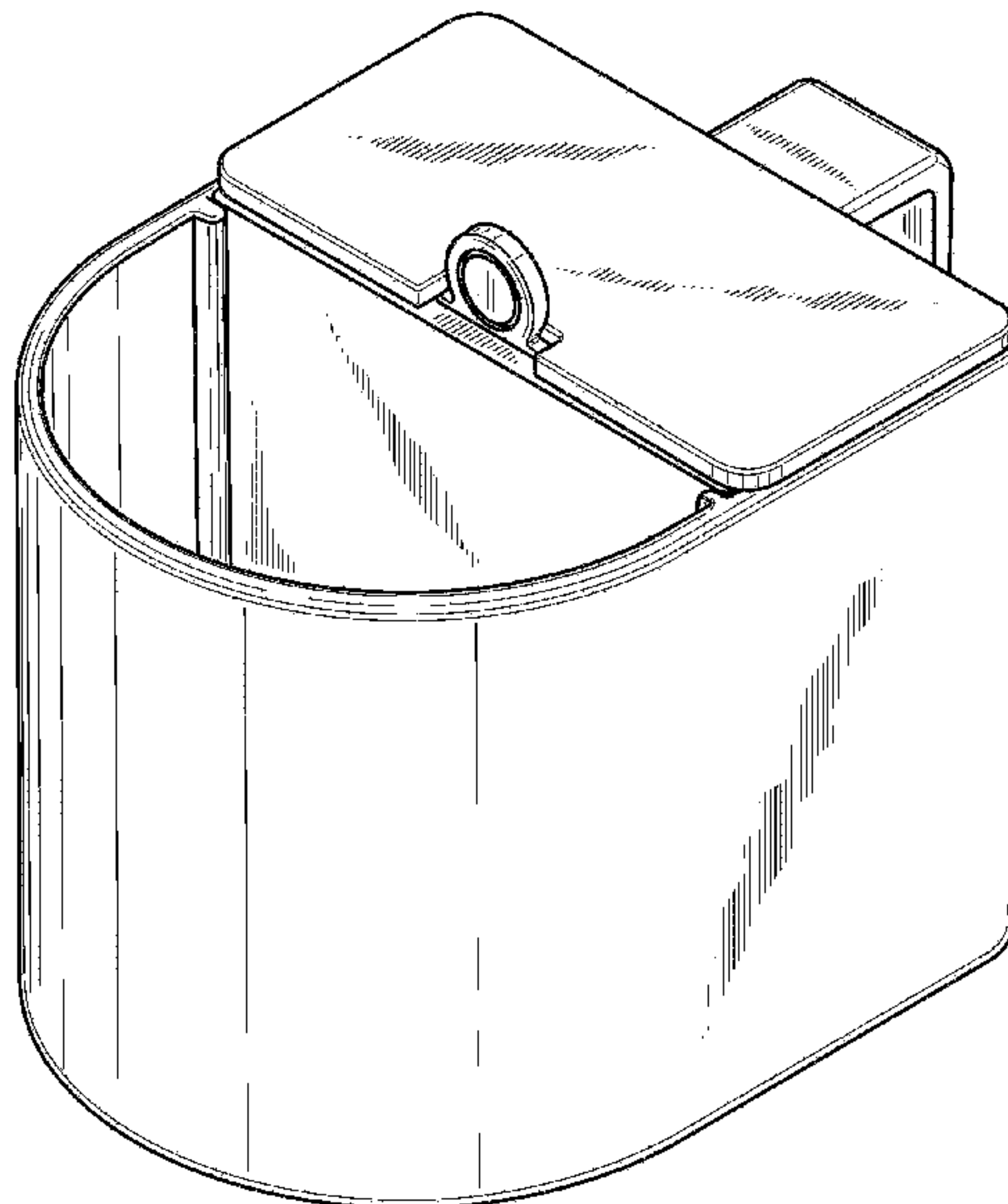
(56) **References Cited**

U.S. PATENT DOCUMENTS

4,746,042 A 5/1988 King
4,972,982 A 11/1990 Harbour
5,052,623 A 10/1991 Nordeen
5,341,969 A * 8/1994 Accardo B44D 3/121
222/465.1
5,695,098 A 12/1997 King
D401,704 S * 11/1998 Clark D32/53.1
5,853,102 A * 12/1998 Jarrett B05B 7/2408
220/23.87
D419,736 S * 1/2000 Clark D32/53.1
6,138,963 A * 10/2000 Malvasio B44D 3/12
220/555
6,260,730 B1 7/2001 Fellman
D448,130 S * 9/2001 Wagner D32/53.1
6,283,345 B1 9/2001 Butschat
D458,723 S * 6/2002 Malvasio D32/53.1

FIG. 1 is a perspective view of a dual compartment paint container;
FIG. 2 is a left side elevational view of the dual compartment paint container;
FIG. 3 is a right side elevational view of the dual compartment paint container;
FIG. 4 is a front side elevational view of the dual compartment paint container;
FIG. 5 is a rear side elevational view of the dual compartment paint container;
FIG. 6 is a top plan view of the dual compartment paint container; and,
FIG. 7 is a bottom plan view of the dual compartment paint container.
Portions of the dual compartment paint container shown in broken lines form no part of the claimed design.

1 Claim, 7 Drawing Sheets



(56)

References Cited

U.S. PATENT DOCUMENTS

D483,917 S * 12/2003 Frantz B44D 3/126
 D32/53.1
 6,719,178 B1 4/2004 Taylor
 D518,263 S * 3/2006 Verhaar D32/53.1
 D537,996 S * 3/2007 Lundy D32/53.1
 D581,118 S * 11/2008 Bergman D32/53.1
 D617,517 S * 6/2010 Bergman D32/53.1
 D636,950 S * 4/2011 Lawson D30/161
 D761,511 S * 7/2016 Malvasio D32/53.1
 D783,917 S * 4/2017 Gringer D32/53.1
 D801,610 S * 10/2017 Nadin D32/53
 D802,851 S * 11/2017 Donegan D30/124
 D832,544 S * 10/2018 Bergman D32/53.1
 D836,875 S * 12/2018 Bergman D32/53.1
 D887,096 S * 6/2020 Erdfarb D32/53.1
 D894,509 S * 8/2020 Renteria D32/53
 D896,589 S * 9/2020 Smith D7/536
 10,829,272 B2 * 11/2020 Bergman B65D 1/26
 2006/0226156 A1 * 10/2006 Lundy B44D 3/123
 220/570
 2012/0037634 A1 2/2012 Kiceniuk, Jr. et al.
 2014/0103143 A1 * 4/2014 Lin B05B 7/2478
 239/379
 2017/0188693 A1 7/2017 Haemerle

OTHER PUBLICATIONS

Paint Pail <https://www.lowes.com/pd/HANDy-64-fl-oz-Paint-Pail/1000209841> (Year: 2020).*
 Paint Cup <https://www.lowes.com/pd/HANDy-Paint-Cup-16-fl-oz-Paint-Pail/3362272> (Year: 2020).*

Buddy Bucket <https://www.kmart.com/buddy-bucket-big-boy-ind-5200-dripleless-hand/p-SPM8768358729> (Year: 2020).*
 Paint cup <https://www.homedepot.com/p/The-Aqua-Tainer-Company-1-qt-Trim-and-Cut-in-Cup-TC-12/100164199> (Year accessed: 2020).*
 Fratzel, Todd; “Belt Bucket—Hands Free Paint Pail”; HCI—Home Construction & Improvement; located at <https://www.homeconstructionimprovement.com/belt-bucket-hands-free-paint-pail/> on Feb. 19, 2018.
 Big Boy Ind.; Big Boy Ind 5210 Buddy System Paint Bucket Holder with Dripless Paint Bucket; located at <https://www.amazon.com/Big-Boy-Ind-5210-Dripless/dp/B00HNVNKLK> on Feb. 19, 2018.
 Bercom; HANDy 2500-CT HANDy Paint Pail; located at https://www.amazon.com/dp/B000BZTGBS/ref=psdc_13399641_t1_B001CSPGJY on Feb. 19, 2018.
 HANDy Paint Pail HANDy 16 oz. Red Plastic Paint Cup with Magnet; located at <https://www.homedepot.com/p/HANDy-Paint-Pail-HANDy-16-oz-Red-Plastic-Paint-Cup-with-...> on Feb. 19, 2018.
 Wood Finishes Direct; Marshall Paint Pal; Hands Free Painting Tool Utensil Holder; located at <https://www.wood-finishes-direct.com/product/mako-paint-pal> on Feb. 19, 2018.
 Wigley DIY; Marshall Paint Pal Hands Free Painting Kit—2 Piece—Hybrid Tray/Scuttle; located at <https://www.wigleydiy.co.uk/mko-paint-pal-trade> on Feb. 19, 2018.
 Big Boy Ind.; Buddy Bucket; “Paint Without the Worry”; located at <http://everyoneneedsabuddy.com/buddy-bucket/> on Feb. 20, 2018.
 Pouch Painter; Pouch Painter Hands-Free Break/Spill Resistant Bucket Apron Holds Paint Brushes; located at https://www.amazon.com/..._encoding=UTF8&pd_rd_i=B00UGHPCNC&pd_rd_r=T61MJDB28ZA0JRG0R7Y4&pd_rd_w=c1x8Z&pd_rd_wg=qgsbL&psc=1&refRID=T61MJDB28ZA0JRG0R7Y4 on Feb. 19, 2018.
 Rightway Bevans; UBL Hand Paint Kettle; located at <https://www.rightway.ltd.uk/product/8225/hand-paint-kettle> on Feb. 19, 2018.

* cited by examiner

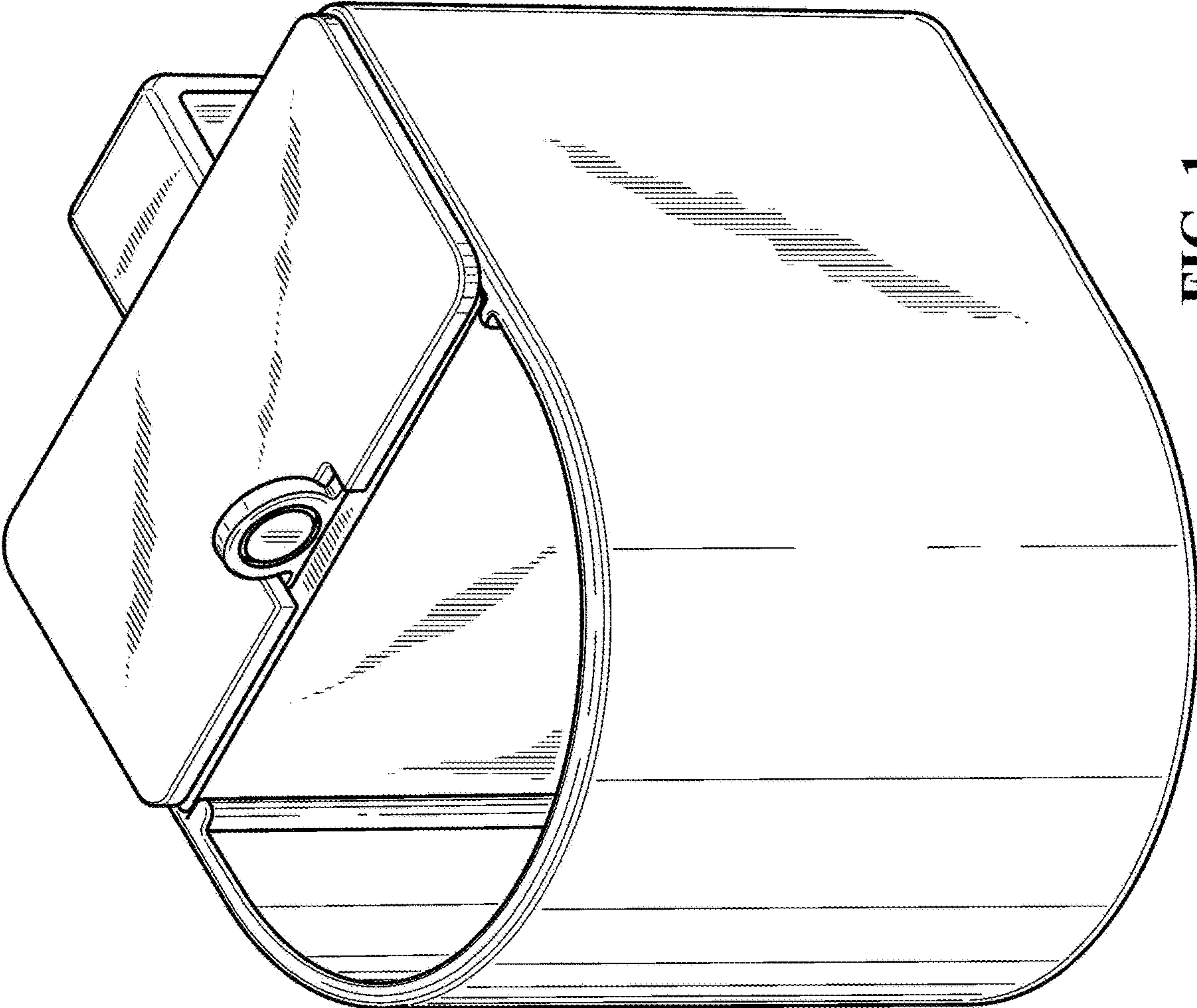


FIG. 1

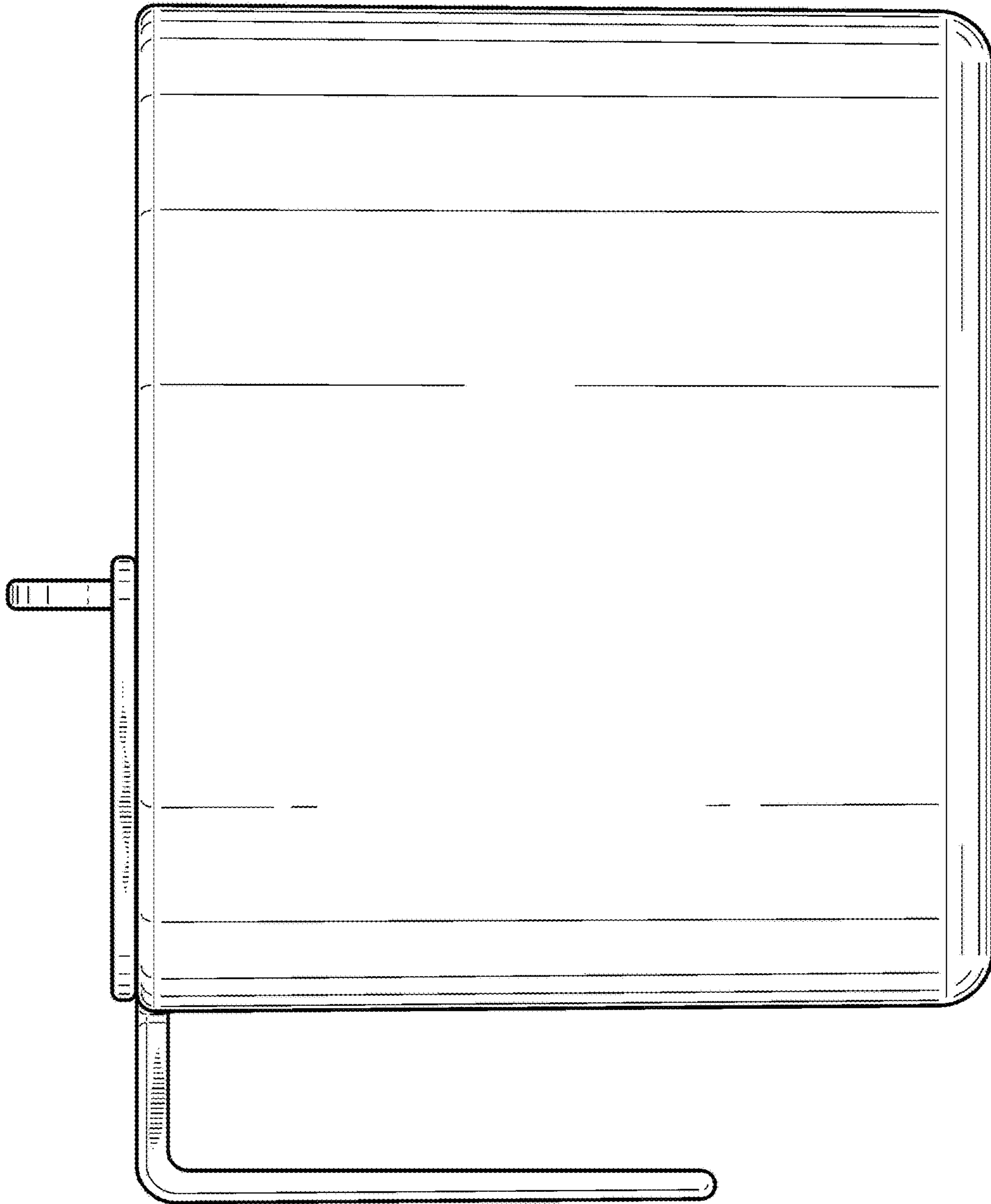


FIG. 2

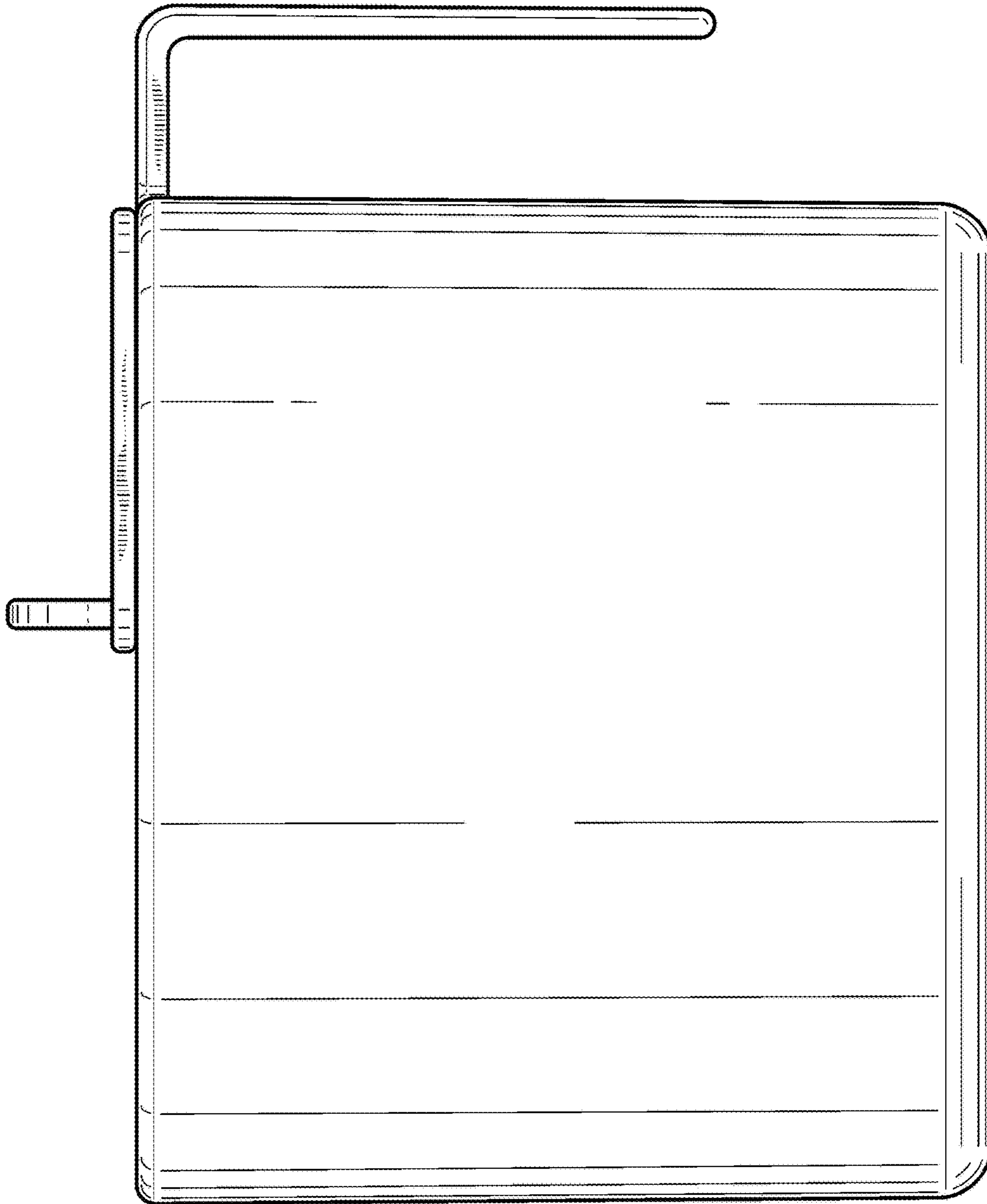


FIG. 3

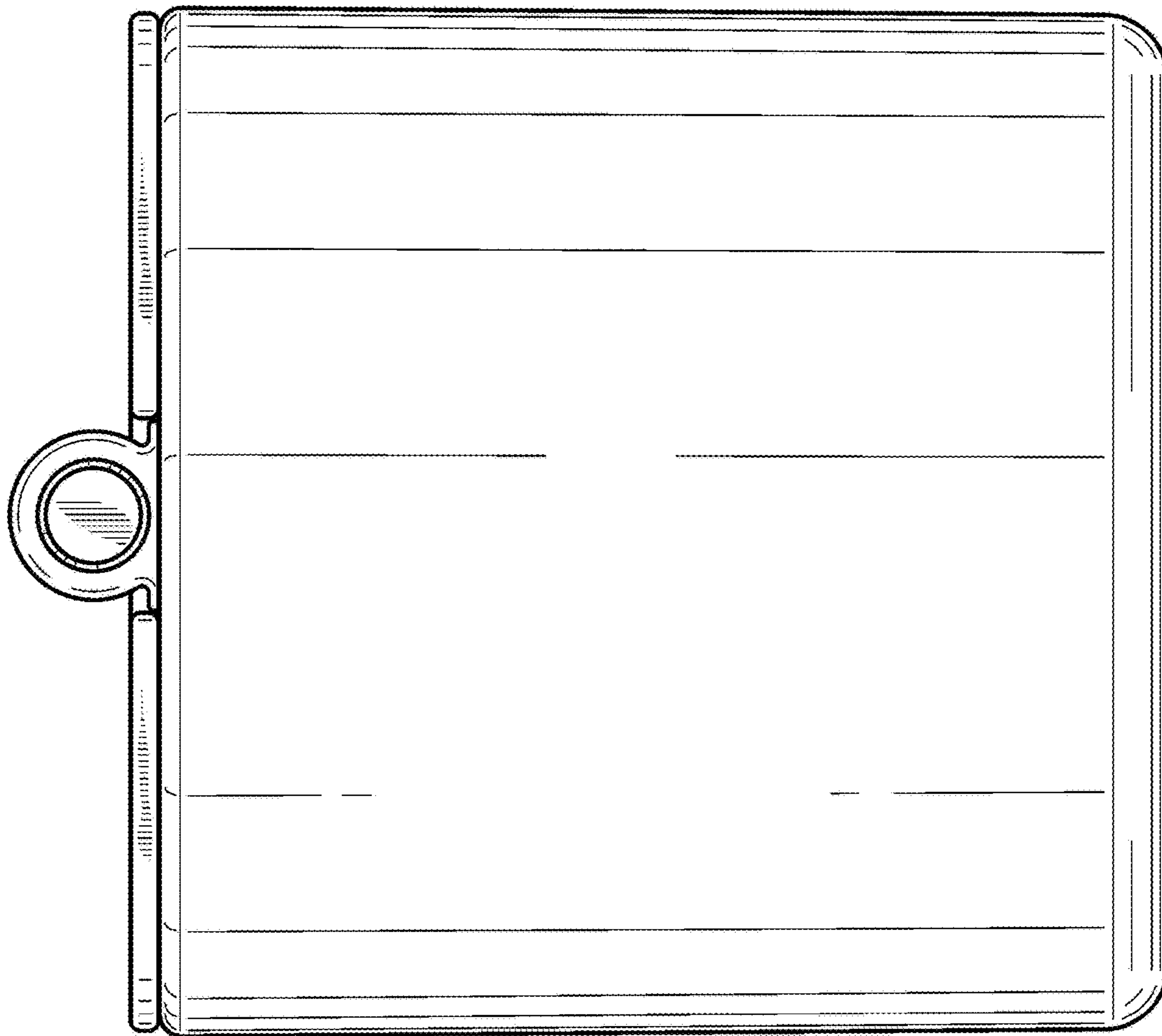


FIG. 4

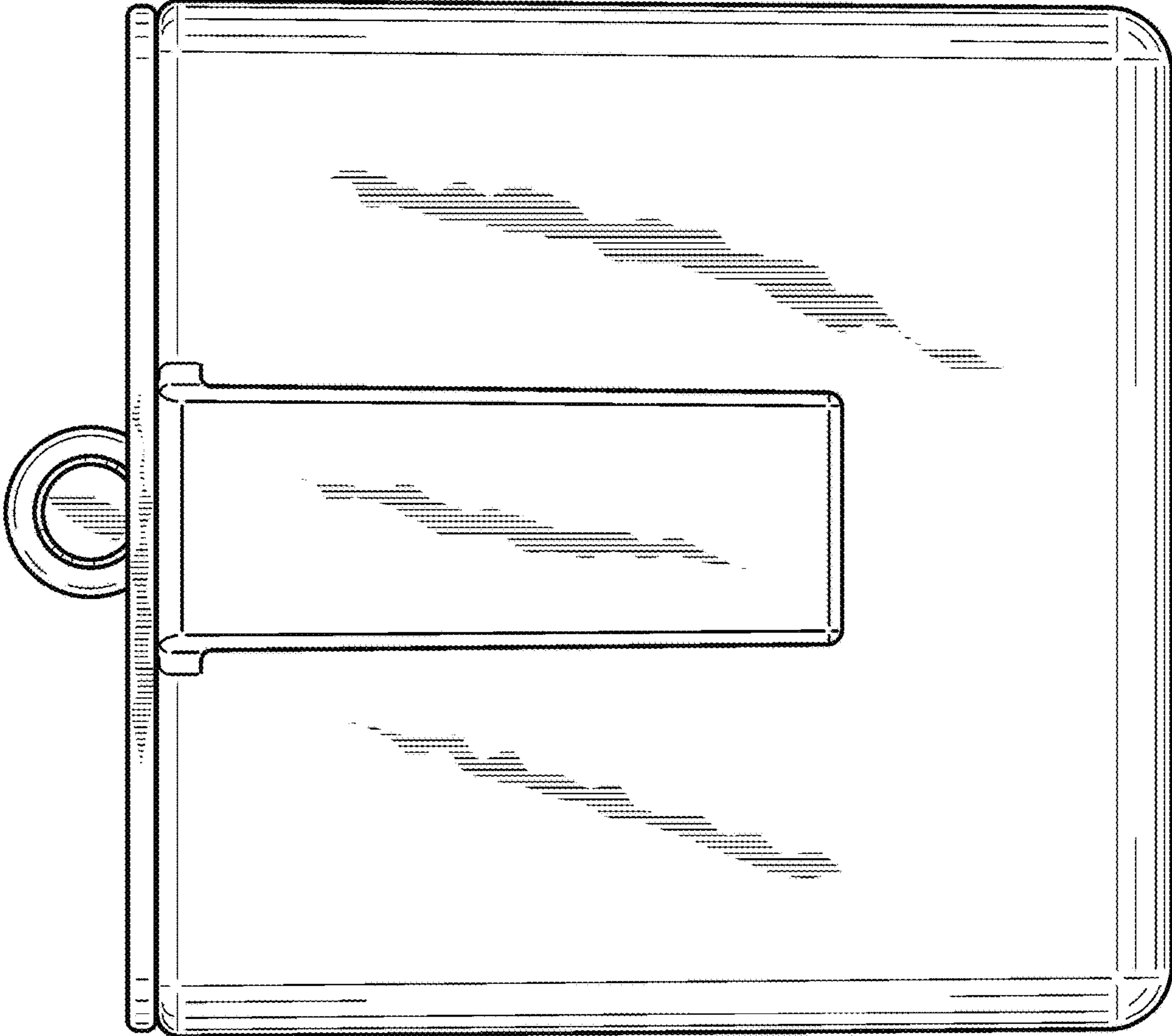


FIG. 5

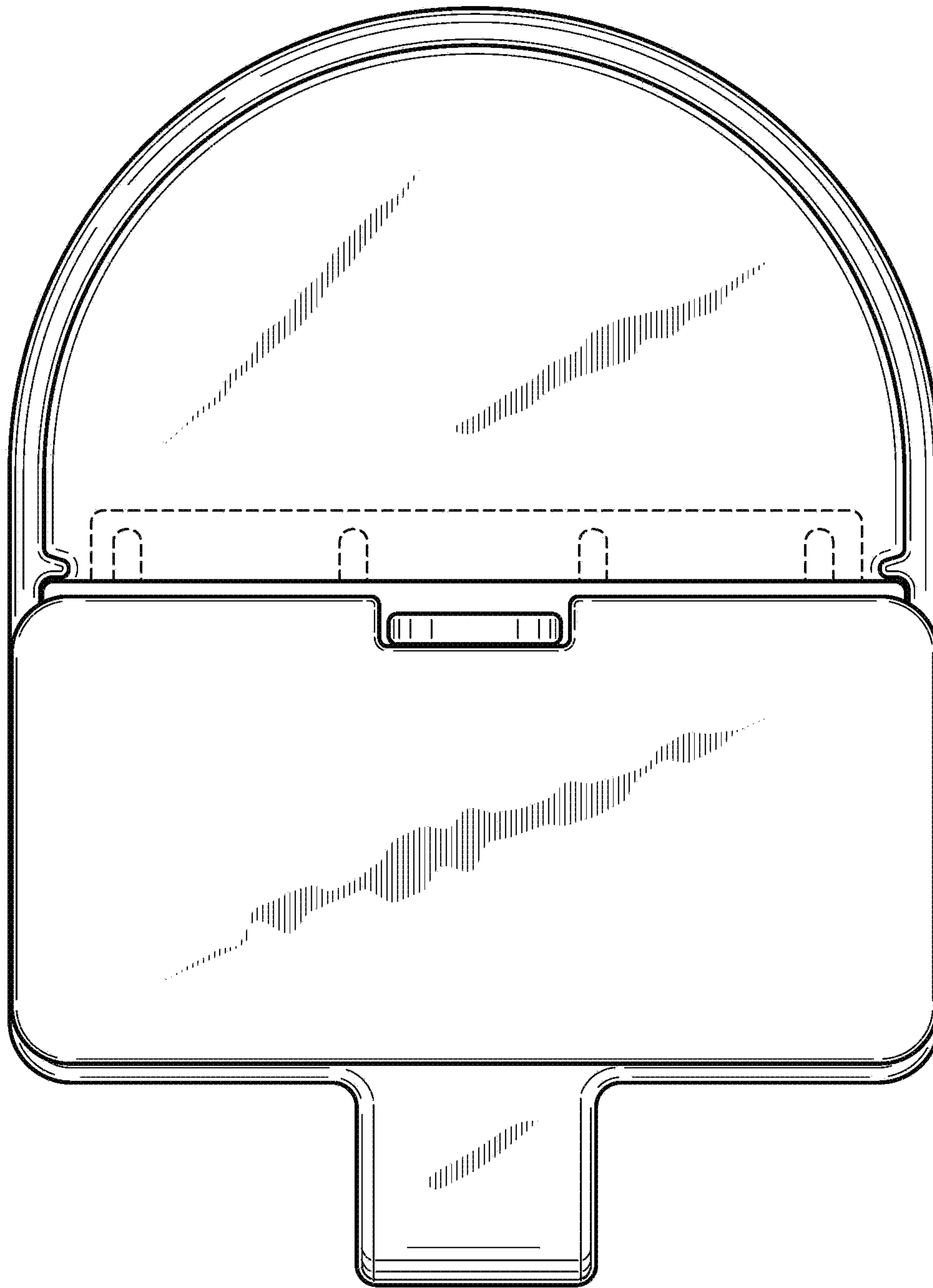


FIG. 6

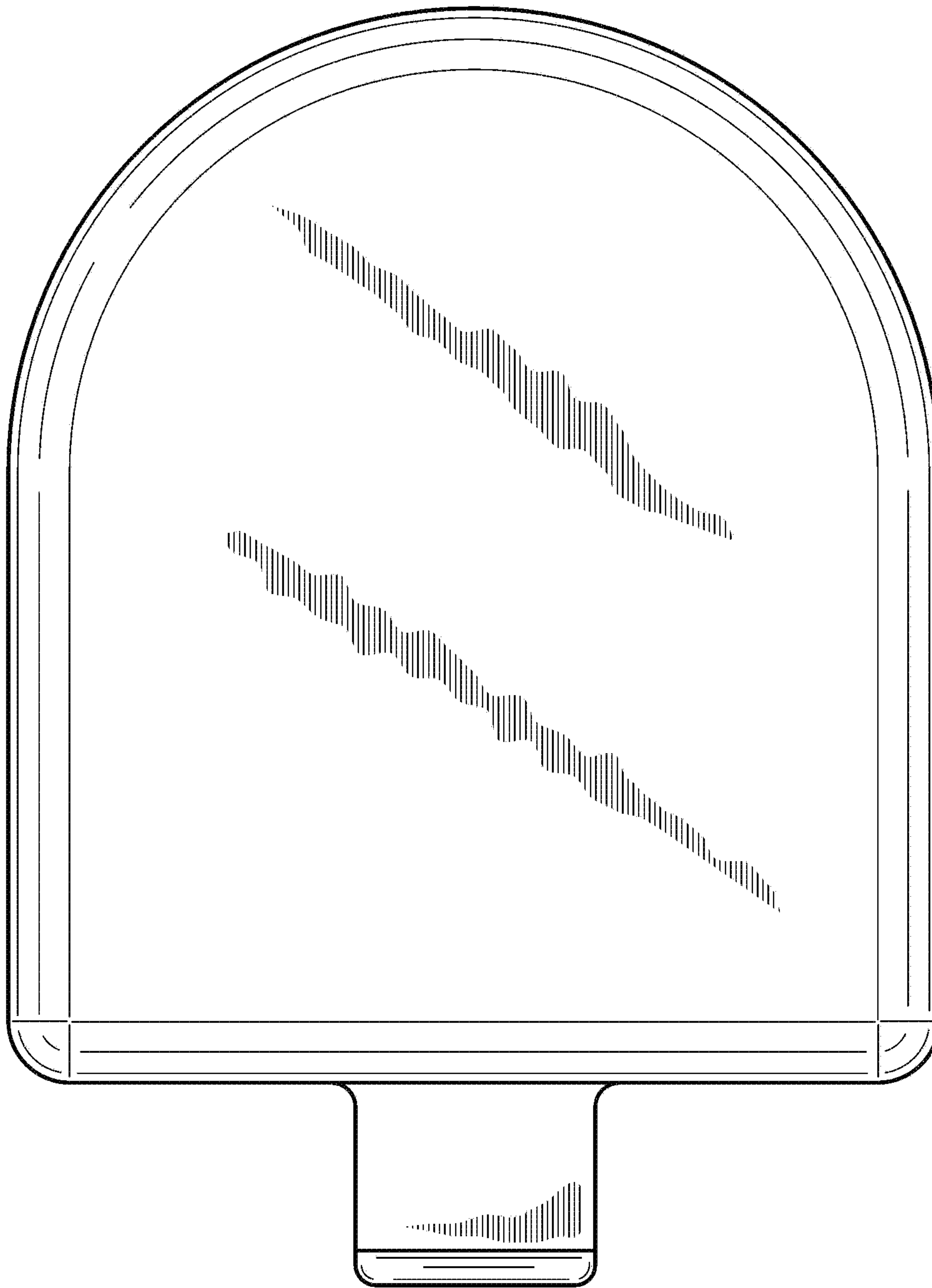


FIG. 7