



US00D922712S

(12) **United States Design Patent** (10) **Patent No.:** **US D922,712 S**  
**Harrington et al.** (45) **Date of Patent:** **\*\* Jun. 15, 2021**

- (54) **FLAT HEADED MOP** D358,238 S \* 5/1995 Barnett ..... D32/40  
5,438,427 A 8/1995 Specht  
(71) Applicant: **Unger Marketing International, LLC,** D402,776 S \* 12/1998 Carlson ..... D32/50  
Bridgeport, CT (US) D404,862 S \* 1/1999 Johnson ..... D32/50  
5,915,437 A \* 6/1999 Petner ..... A47L 13/256  
15/147.1  
(72) Inventors: **William Harrington,** Newtown, CT 6,260,226 B1 7/2001 Specht  
(US); **Robert F. Smith,** Waterbury, CT 6,487,745 B2 12/2002 Specht  
(US); **Joseph K. Patterson,** Monroe, 6,543,081 B1 4/2003 Cohen  
CT (US) 6,588,045 B2 7/2003 Fernandez  
D490,952 S \* 6/2004 Ajluni ..... D32/50  
D494,721 S \* 8/2004 Kotani ..... D32/50  
(73) Assignee: **UNGER MARKETING** 6,810,554 B2 11/2004 McKay  
**INTERNATIONAL, LLC,** Bridgeport, D503,836 S \* 4/2005 Hall et al. .... D32/50  
CT (US) D506,050 S \* 6/2005 Lalanne ..... D32/45  
(Continued)

(\*\*) Term: **15 Years**

(21) Appl. No.: **29/678,328**

(22) Filed: **Jan. 28, 2019**

(51) **LOC (13) Cl.** ..... **07-05**

(52) **U.S. Cl.**  
USPC ..... **D32/50**

(58) **Field of Classification Search**  
USPC ..... D32/40-43, 46, 50-52, 68  
CPC ... A47L 11/40; A47L 1/08; A47L 1/00; A47L  
13/12; A47L 13/10; B44D 3/16; E04F  
21/00; E04F 21/24; E04D 13/076; E04D  
13/04

See application file for complete search history.

(56) **References Cited**

U.S. PATENT DOCUMENTS

2,286,944 A 6/1942 Ernest  
2,740,146 A 4/1956 Vaughn  
2,796,617 A 6/1957 Remington  
2,852,794 A 9/1958 Josef  
2,966,689 A 1/1961 Antonucci, Jr.  
3,593,359 A \* 7/1971 Strauss ..... A47L 13/20  
D250,245 S \* 11/1978 Bebb ..... D32/50  
4,912,804 A 4/1990 Pasbol  
5,131,111 A 7/1992 Richardson et al.

FOREIGN PATENT DOCUMENTS

CN 101843468 A 9/2010  
CN 102846284 A 1/2013

(Continued)

*Primary Examiner* — John R Yeh  
(74) *Attorney, Agent, or Firm* — Cantor Colburn LLP

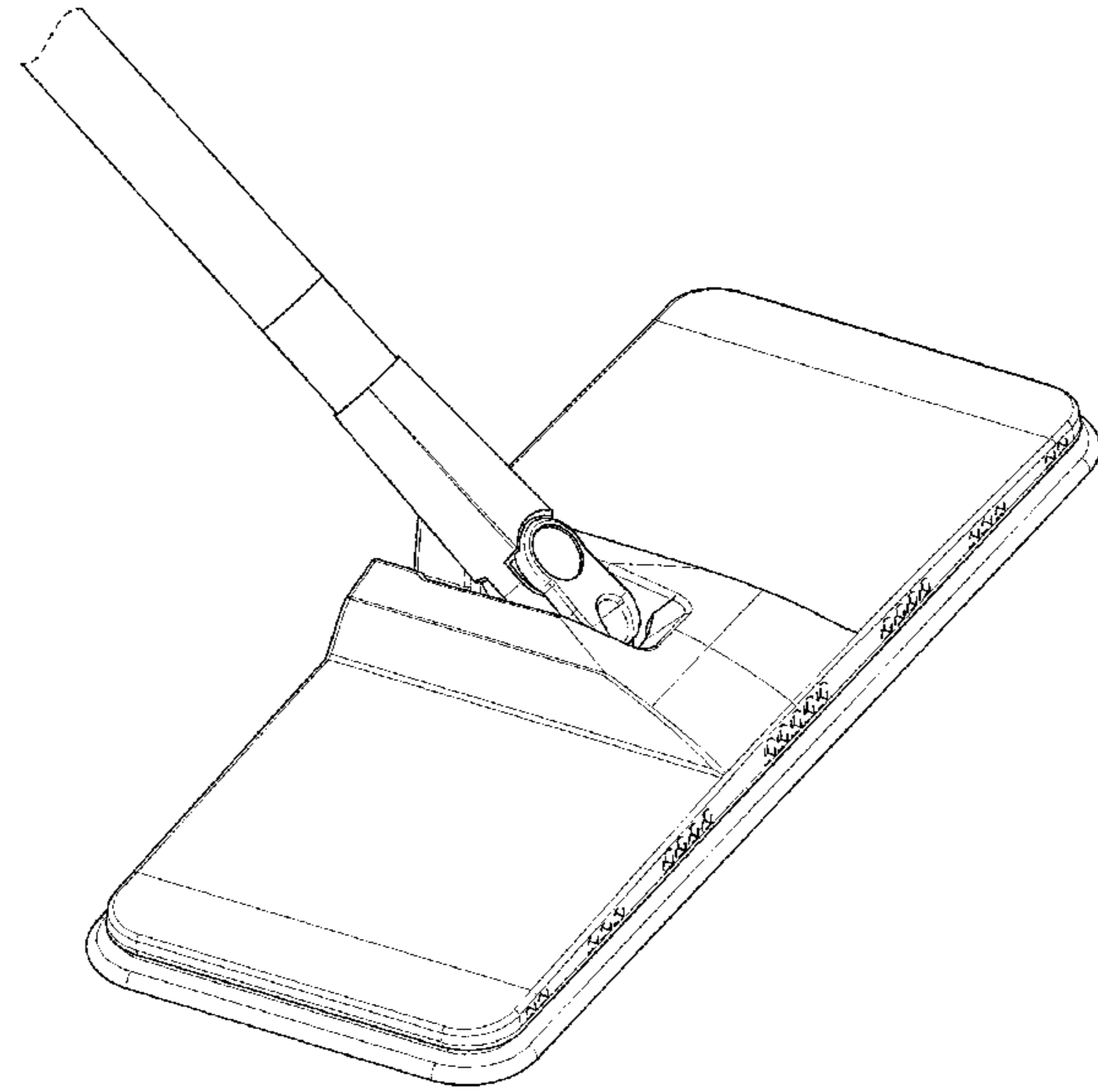
(57) **CLAIM**

The ornamental design for a flat headed mop, as shown and described.

**DESCRIPTION**

FIG. 1 is a perspective view for a flat headed mop showing our new design;  
FIG. 2 is a top view thereof;  
FIG. 3 is a bottom view thereof;  
FIG. 4 is a right side view thereof;  
FIG. 5 is a left side view thereof;  
FIG. 6 is a rear view thereof; and,  
FIG. 7 is a front view thereof.  
The broken lines in the drawings depict portions of the flat headed mop that form no part of the claimed design.

**1 Claim, 7 Drawing Sheets**



(56)

References Cited

U.S. PATENT DOCUMENTS

6,996,873 B2 2/2006 Salmon  
 7,174,600 B2 2/2007 Kresse et al.  
 D554,815 S \* 11/2007 Harper ..... D32/40  
 7,293,317 B2 11/2007 Tsuchiya et al.  
 D563,068 S \* 2/2008 Jiang ..... D32/50  
 7,516,508 B2 4/2009 Stackpole, Jr. et al.  
 7,536,743 B2 5/2009 Goh et al.  
 D597,718 S \* 8/2009 McNeil et al. .... D32/45  
 7,607,191 B2 10/2009 Morris et al.  
 D615,260 S \* 5/2010 Koenig ..... D32/45  
 D617,066 S \* 6/2010 Koenig et al. .... D32/50  
 7,827,649 B2 11/2010 Horian  
 D644,386 S \* 8/2011 Tawara ..... D32/51  
 8,056,178 B2 11/2011 Bar-Noy et al.  
 D653,826 S \* 2/2012 Lee ..... D32/50  
 D657,928 S \* 4/2012 Byrne ..... D32/50  
 D658,836 S \* 5/2012 Ediger ..... D32/50  
 D677,031 S \* 2/2013 Best ..... D32/50  
 8,567,616 B2 10/2013 Mishan et al.  
 8,584,300 B2 11/2013 Weis  
 8,701,238 B1 4/2014 Morad et al.  
 D720,906 S \* 1/2015 Baldwin ..... D32/50  
 D723,233 S \* 2/2015 Gidwell et al. .... D32/50  
 D742,609 S \* 11/2015 Irwin et al. .... D32/50  
 D766,528 S \* 9/2016 Choi ..... D32/50  
 D792,043 S \* 7/2017 Buckley ..... D32/50  
 D793,639 S \* 8/2017 Schuller ..... D32/45  
 2006/0018706 A1 \* 1/2006 Bensussan ..... A47L 13/42  
 403/122  
 2006/0048327 A1 \* 3/2006 Lacotta ..... A47L 13/256  
 15/228  
 2006/0048330 A1 3/2006 Rust et al.  
 2006/0070196 A1 \* 4/2006 Lacotta ..... A47L 13/12  
 15/118  
 2006/0272115 A1 12/2006 Kacher et al.

2015/0351603 A1 12/2015 Katsnelson  
 2016/0113471 A1 4/2016 Zhu et al.  
 2017/0027403 A1 2/2017 Zhu  
 2017/0049292 A1 \* 2/2017 Harrington ..... A47L 13/22  
 2017/0086637 A1 3/2017 Zhu et al.  
 2018/0199788 A1 7/2018 Huang

FOREIGN PATENT DOCUMENTS

CN 303421390 \* 10/2015  
 CN 204744046 U 11/2015  
 CN 204889883 U 12/2015  
 CN 105769071 A 7/2016  
 CN 205391076 U 7/2016  
 CN 205625834 U 10/2016  
 CN 205729277 U 11/2016  
 CN 205831737 U 12/2016  
 CN 205866707 U 1/2017  
 CN 206080445 U 4/2017  
 CN 206080446 U 4/2017  
 CN 206151396 U 5/2017  
 CN 206381142 U 8/2017  
 CN 107115077 A 9/2017  
 CN 107456178 A 12/2017  
 CN 107456179 A 12/2017  
 CN 107518843 A 12/2017  
 CN 105640460 B 3/2018  
 DE 4318792 A1 12/1994  
 EP 1651089 A1 5/2006  
 EP 2769660 A1 8/2014  
 EP 2848178 A2 3/2015  
 GB 396469 A 8/1933  
 GB 932579 A 7/1963  
 WO 2004080265 A2 9/2004  
 WO 2005013794 A1 2/2005  
 WO 2016116067 A1 7/2016  
 WO 2017206511 A1 12/2017

\* cited by examiner

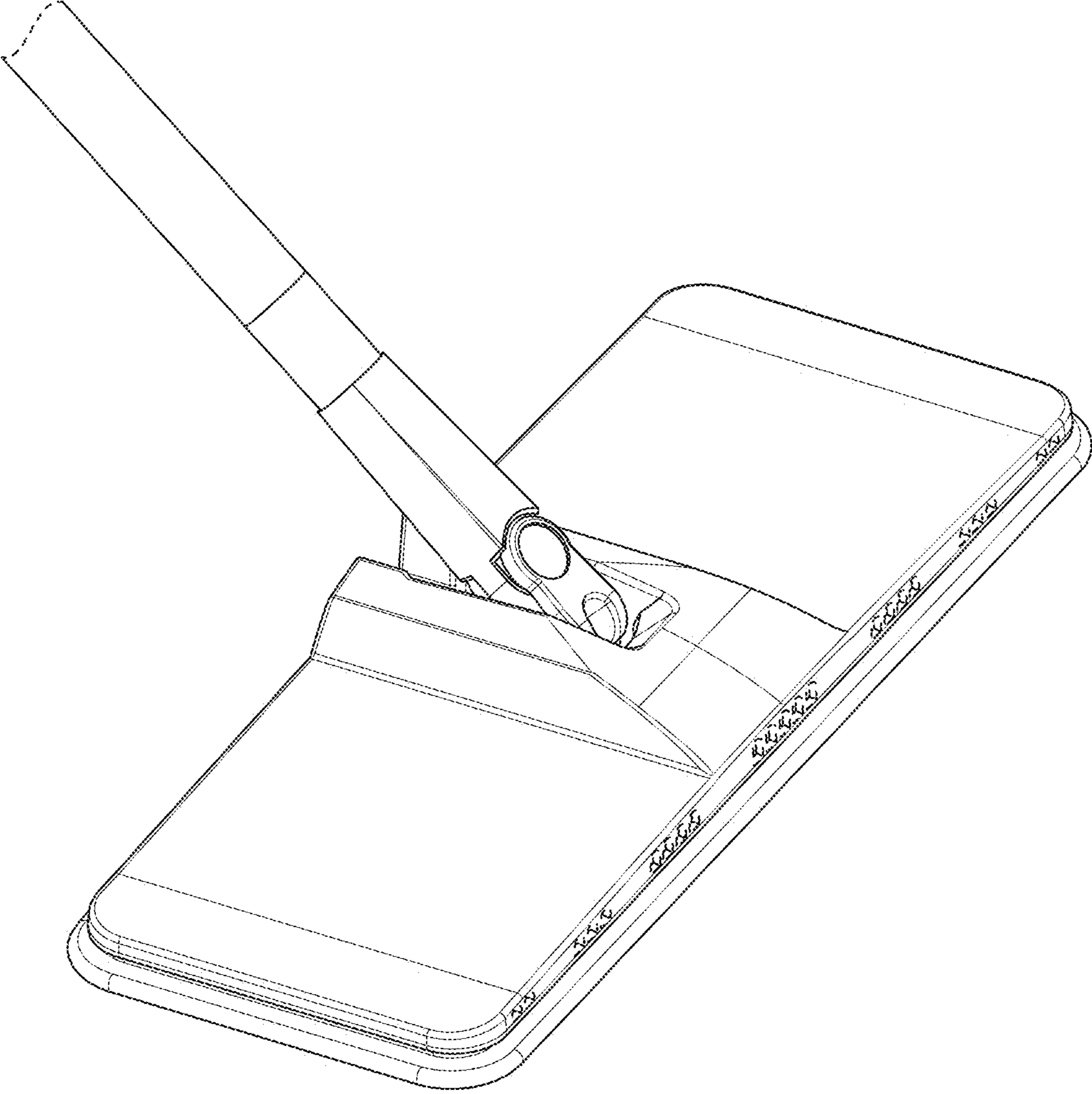


FIG. 1

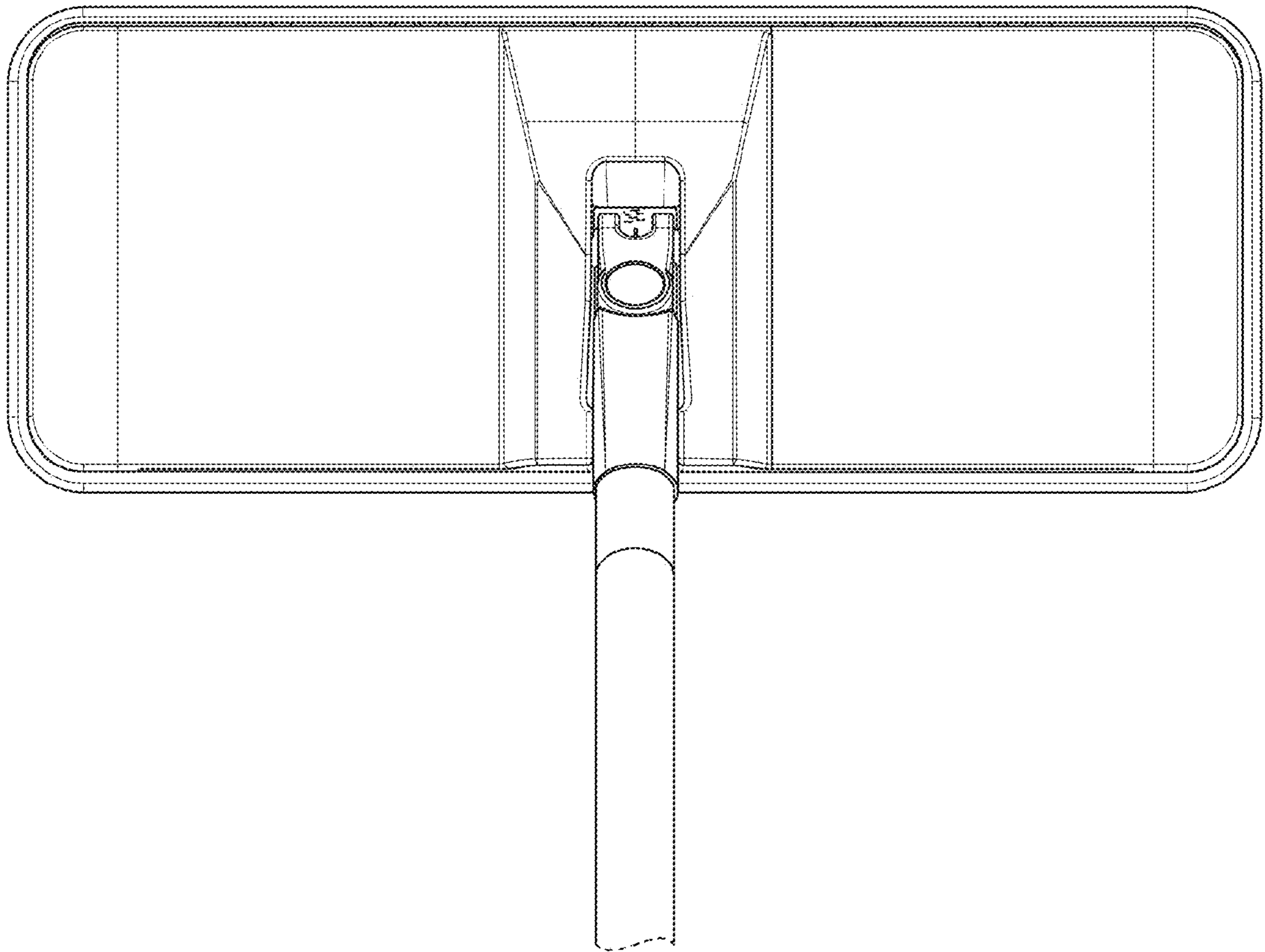


FIG. 2



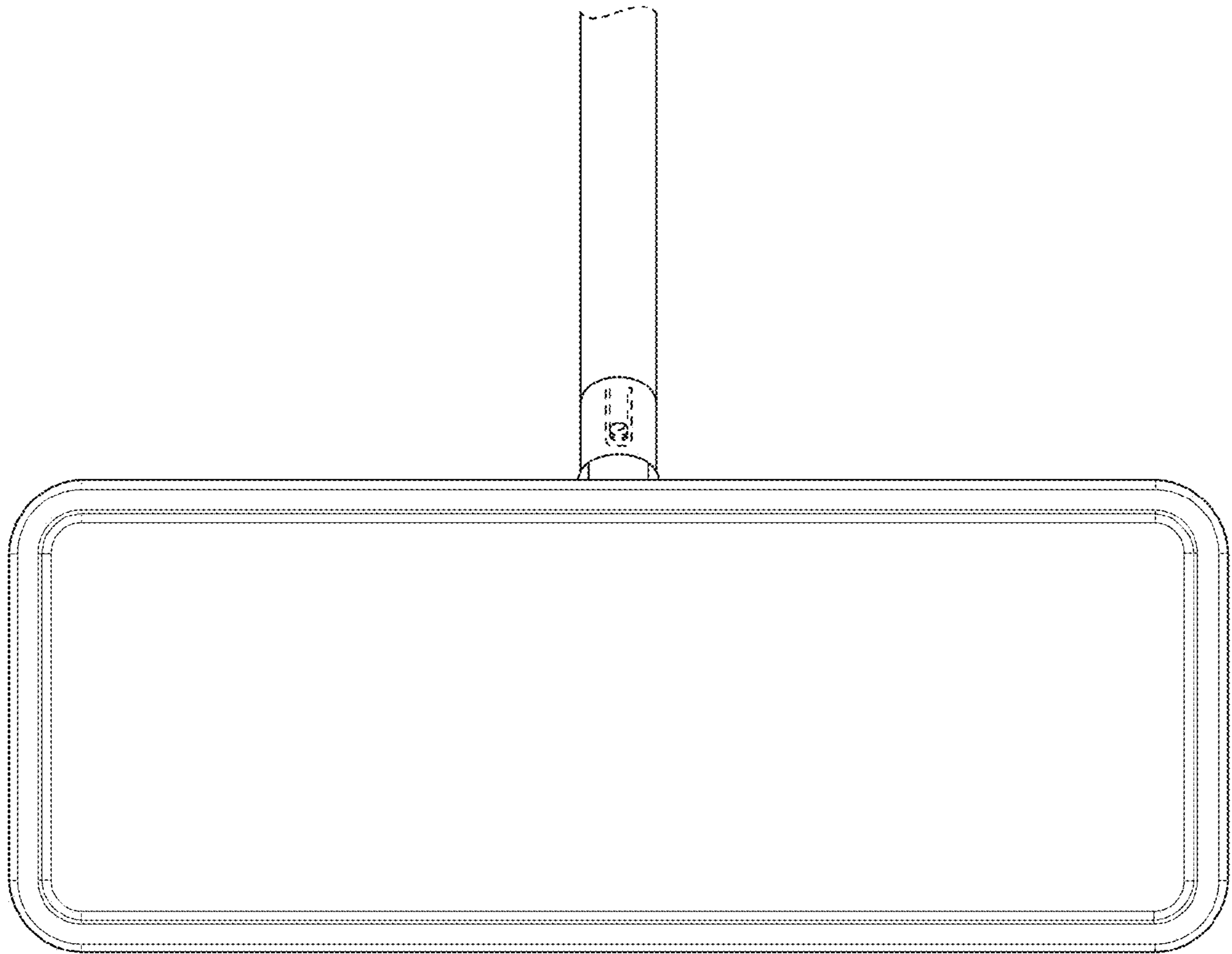


FIG. 3

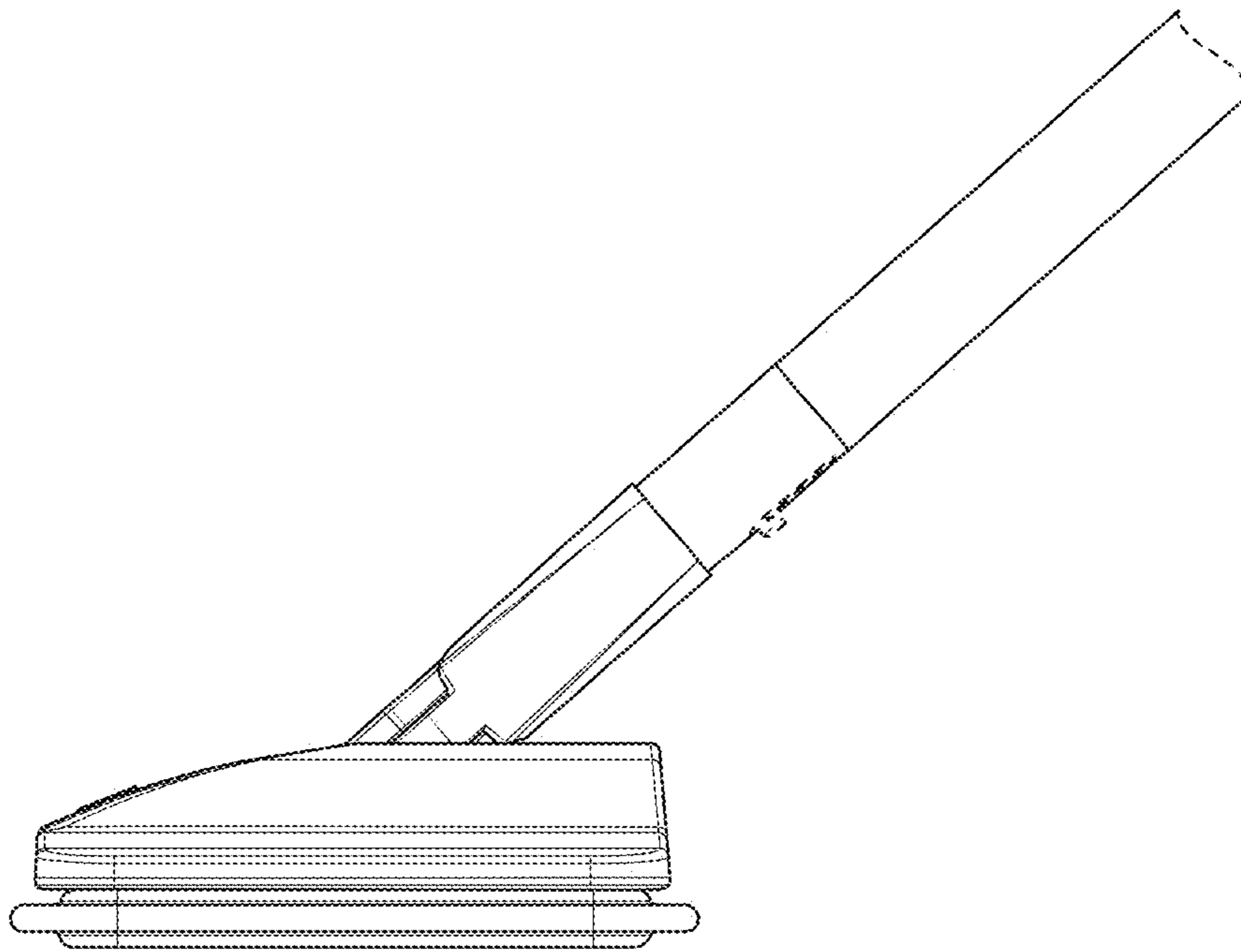


FIG. 4

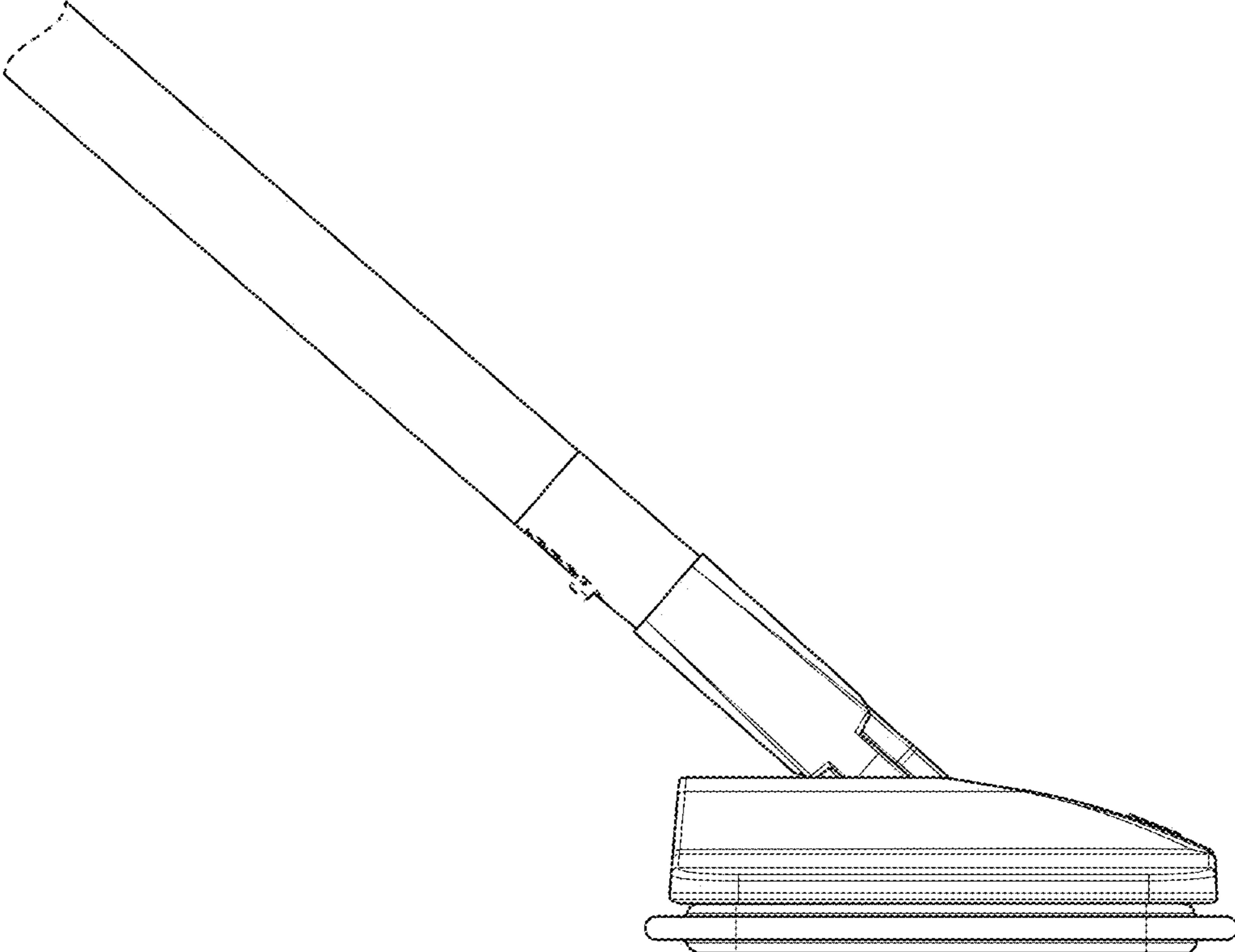


FIG. 5

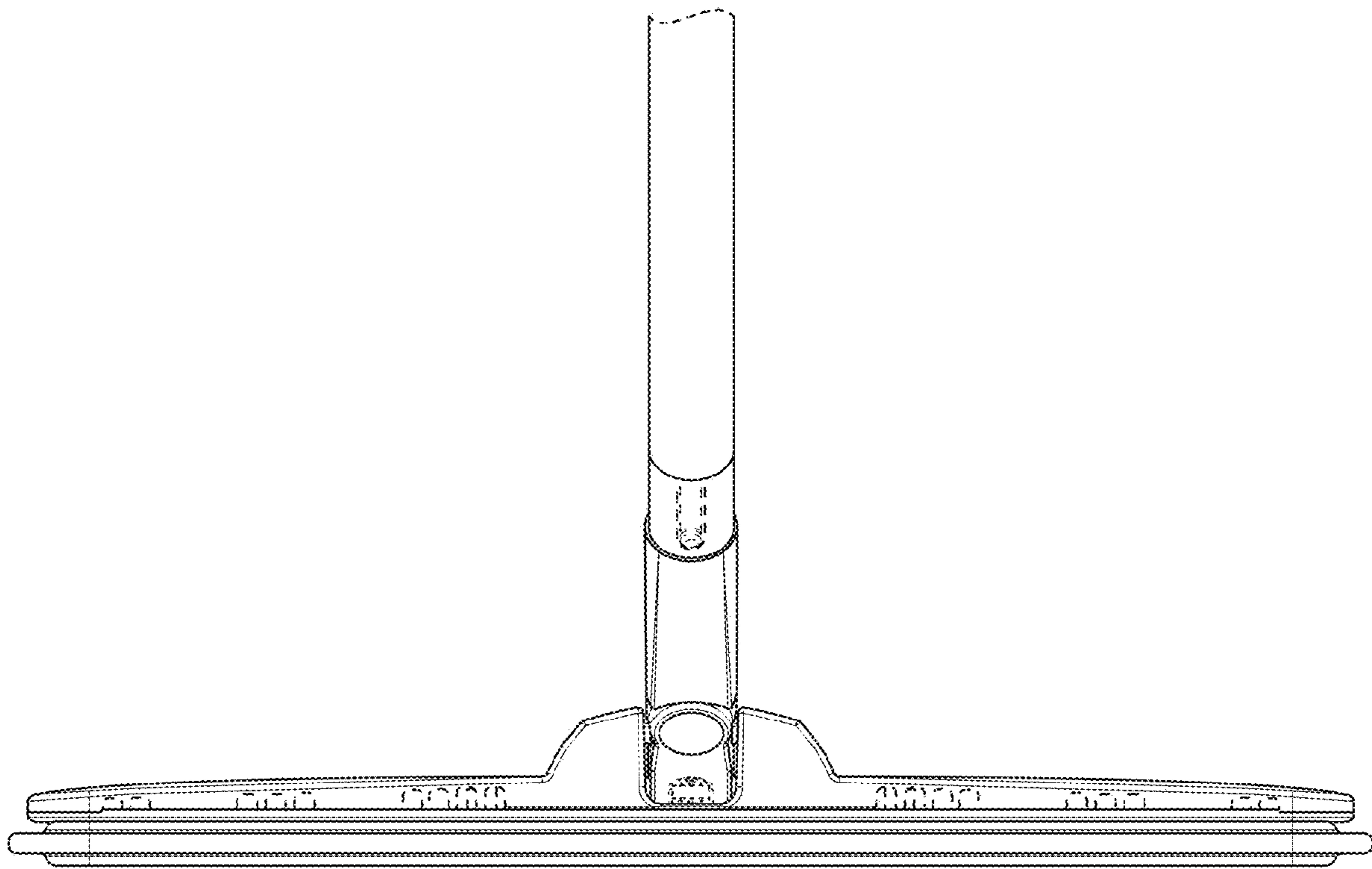


FIG. 6



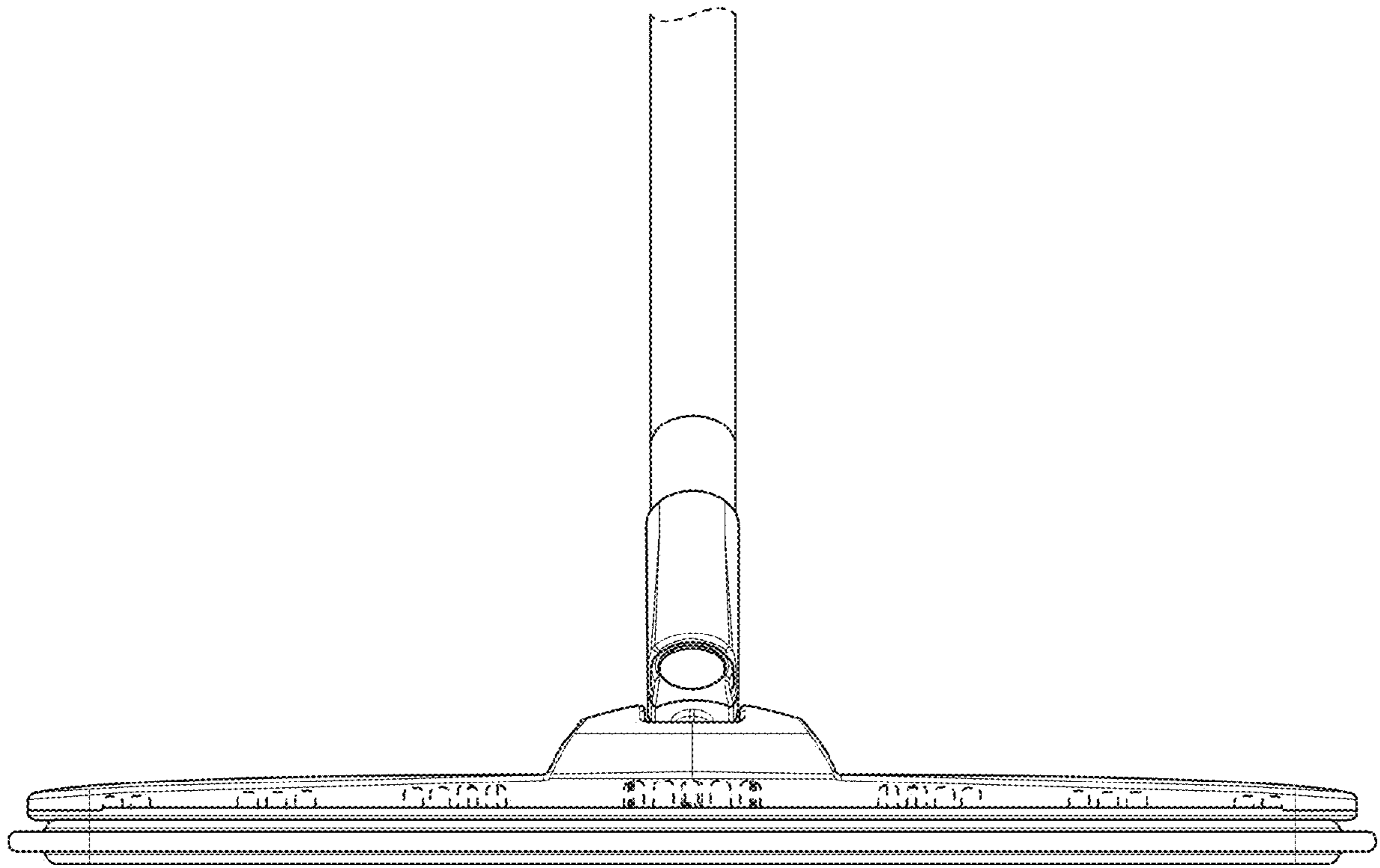


FIG. 7