



US00D922711S

(12) **United States Design Patent** (10) **Patent No.:** **US D922,711 S**
Becker et al. (45) **Date of Patent:** **** Jun. 15, 2021**

(54) **FLAT MOP EJECTION SCAFFOLD**
(71) Applicant: **Hydroflex Group GmbH**, Gladenbach (DE)
(72) Inventors: **Edward Becker**, Gladenbach (DE); **Till Bosshammer**, Gladenbach (DE)
(73) Assignee: **Hydroflex Group GmbH**, Gladenbach (DE)

(**) Term: **15 Years**

(21) Appl. No.: **29/661,985**

(22) Filed: **Aug. 31, 2018**

(51) **LOC (13) Cl.** **07-05**

(52) **U.S. Cl.**
USPC **D32/50**; D8/349

(58) **Field of Classification Search**
USPC D32/40-43, 45-46, 50-52, 68; D8/58, D8/71, 354, 356, 349
CPC ... A47L 11/40; A47L 1/08; A47L 1/00; A47L 13/12; A47L 13/10; B44D 3/16; E04F 21/00; E04F 21/24; E04D 13/076; E04D 13/04

See application file for complete search history.

(56) **References Cited**

U.S. PATENT DOCUMENTS

D25,868 S * 8/1896 Noyes D8/354
D140,381 S * 2/1945 Anderson D8/383
D163,585 S * 6/1951 De Vore D32/41
D204,563 S * 4/1966 Scarborough D8/373
D227,216 S * 6/1973 Miller D8/382
D229,283 S * 11/1973 Ducherty D8/71
D301,303 S * 5/1989 Hoover D12/317
D323,727 S * 2/1992 Re D32/40
D342,011 S * 12/1993 Maguire D8/349
D355,349 S * 2/1995 Taparuskas, Jr. D8/349
D356,166 S * 3/1995 Spiller D25/68
D364,794 S * 12/1995 Eberschlag D8/354
D368,649 S * 4/1996 Smartnick D13/154

D371,293 S * 7/1996 Schoenmeyr D8/354
D374,815 S * 10/1996 Snow D13/153
D391,264 S * 2/1998 Johansson D14/253
D391,839 S * 3/1998 Viklund D8/356
D495,999 S * 9/2004 Lewis D13/154
D500,666 S * 1/2005 Murphy D8/354
D513,171 S * 12/2005 Richardson D25/133
D573,873 S * 7/2008 Wall D8/354
D599,643 S * 9/2009 Dinh D8/354
D719,437 S * 12/2014 Atkins D8/349
D756,048 S * 5/2016 Williams D32/46
D774,874 S * 12/2016 Wentzel D8/349

(Continued)

FOREIGN PATENT DOCUMENTS

CN 304190463 * 8/2016

OTHER PUBLICATIONS

Post Shore U-Head Assembly, <https://www.scaffoldexpress.com/25K-Post-Shore-U-Head-Assembly-p/psv-5144.htm?gclid=...>, site visited Jan. 30, 2020.*

Primary Examiner — John R Yeh
(74) *Attorney, Agent, or Firm* — Steven J. Grossman;
Grossman Tucker Perreault & Pflieger

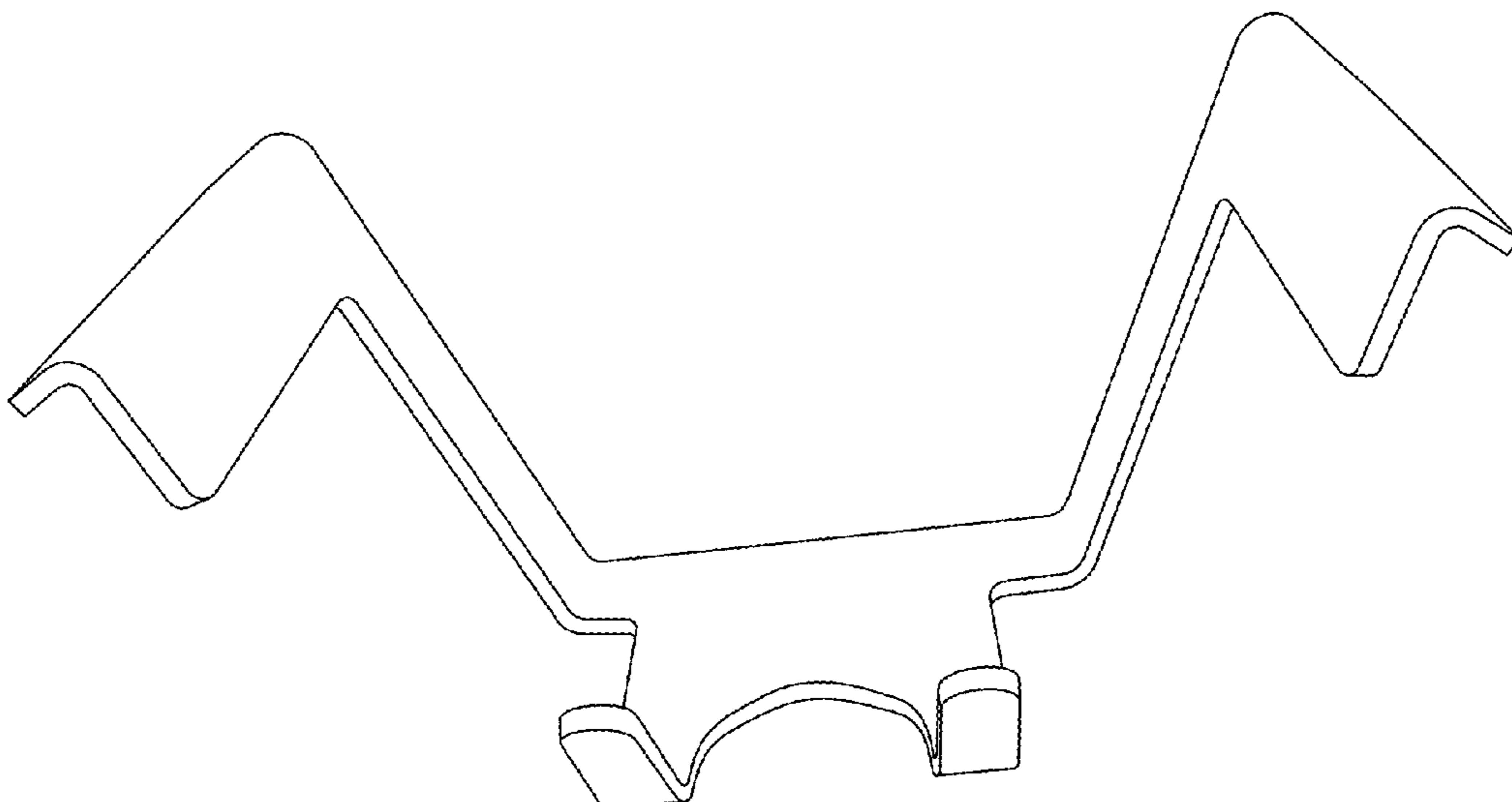
(57) **CLAIM**

We claim the ornamental design for a flat mop ejection scaffold, as shown and described.

DESCRIPTION

FIG. 1 is a front, top perspective view showing our invention for a flat mop ejection scaffold;
FIG. 2 is a rear, top, left perspective view thereof;
FIG. 3 is a rear, top perspective view thereof;
FIG. 4 is a top, right side perspective view thereof;
FIG. 5 is a top, rear, left side perspective view thereof;
FIG. 6 is a rear, top perspective view thereof; and,
FIG. 7 is a bottom, front perspective view thereof.

1 Claim, 7 Drawing Sheets



(56)

References Cited

U.S. PATENT DOCUMENTS

D803,798 S	*	11/2017	Au	D13/180
D866,884 S	*	11/2019	Kangas	D32/3
D869,262 S	*	12/2019	Davis	D8/349
D871,007 S	*	12/2019	Robello	D32/52
D871,893 S	*	1/2020	Boyle	D8/356

* cited by examiner

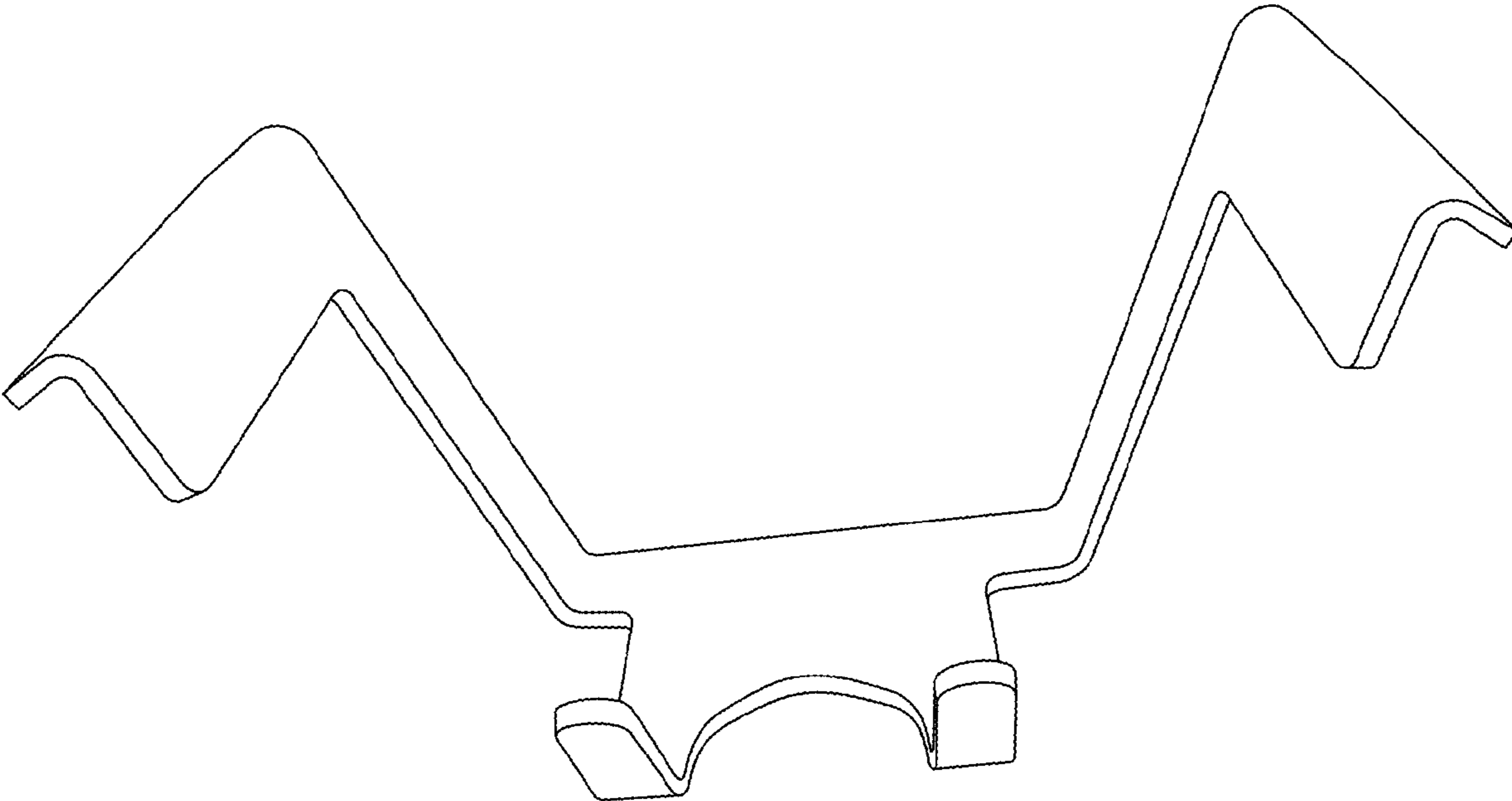


FIG. 1

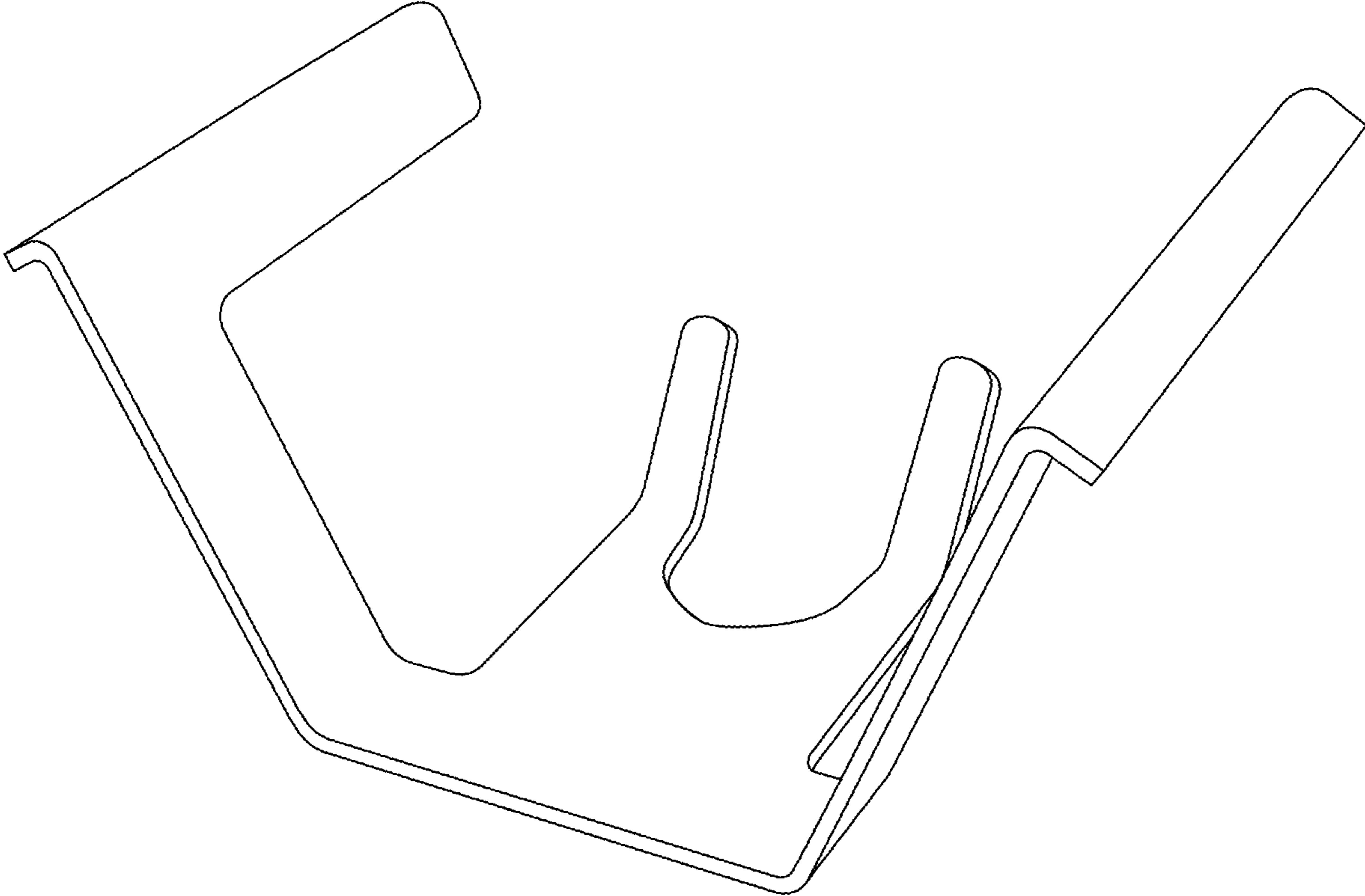


FIG. 2

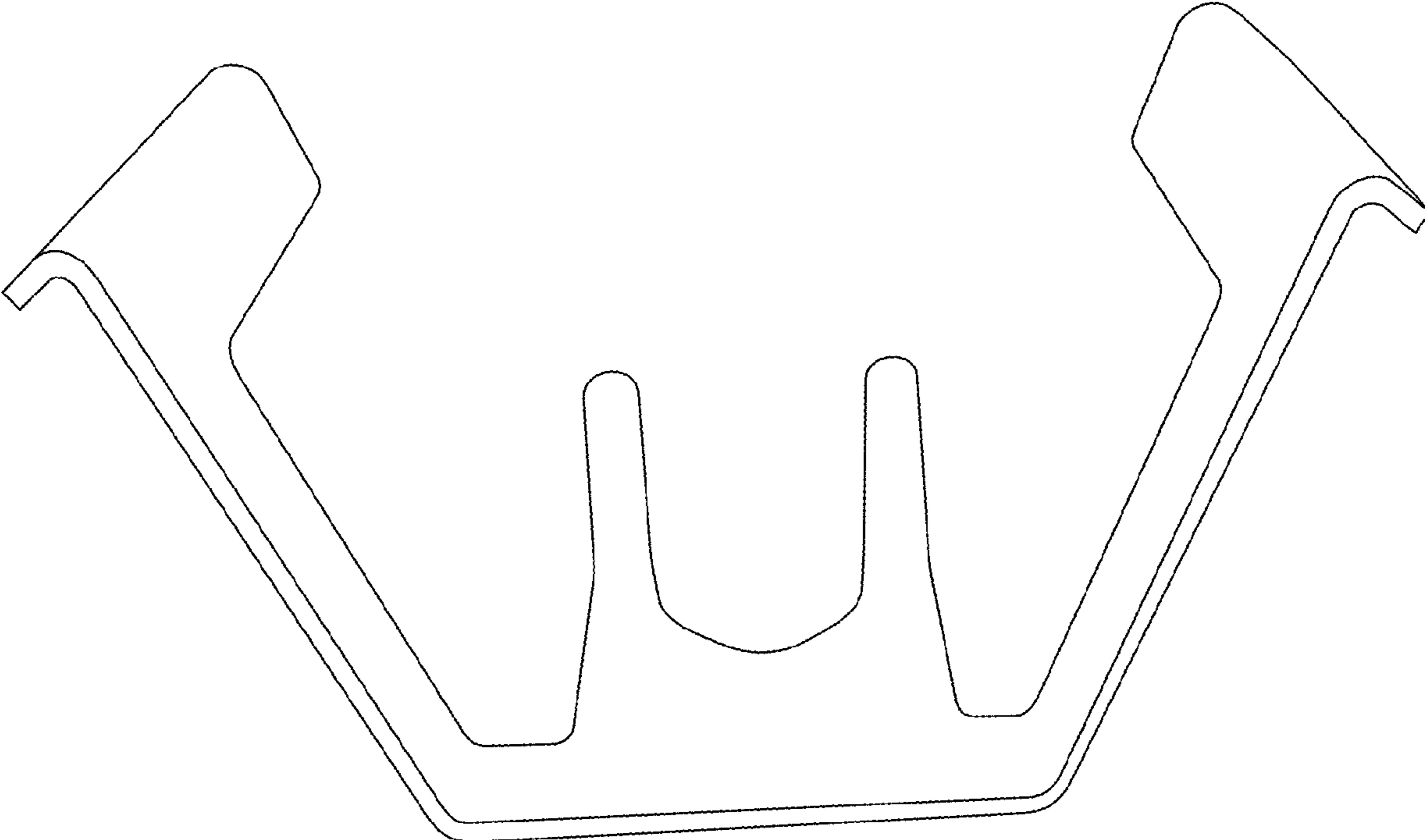


FIG. 3

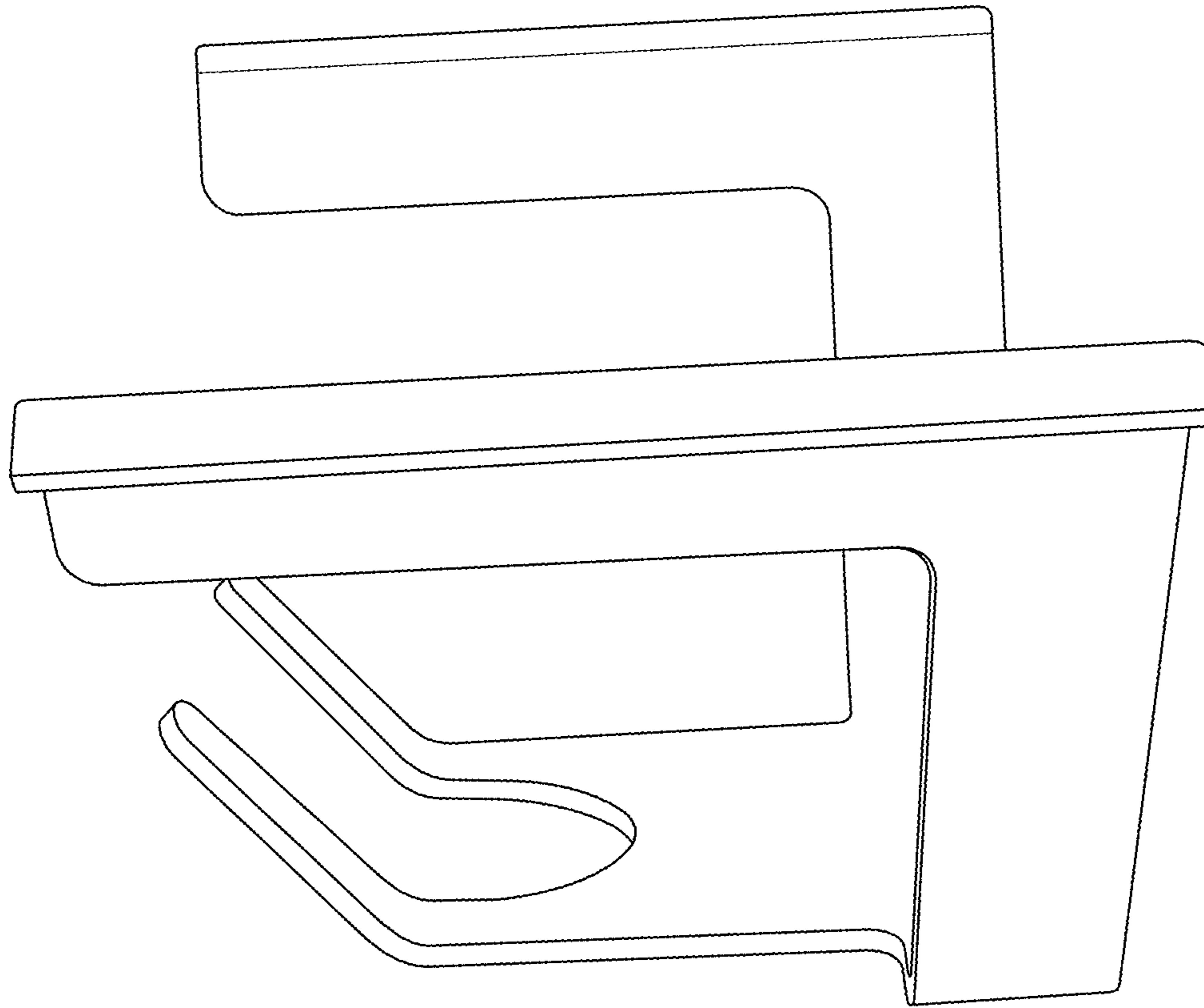


FIG. 4

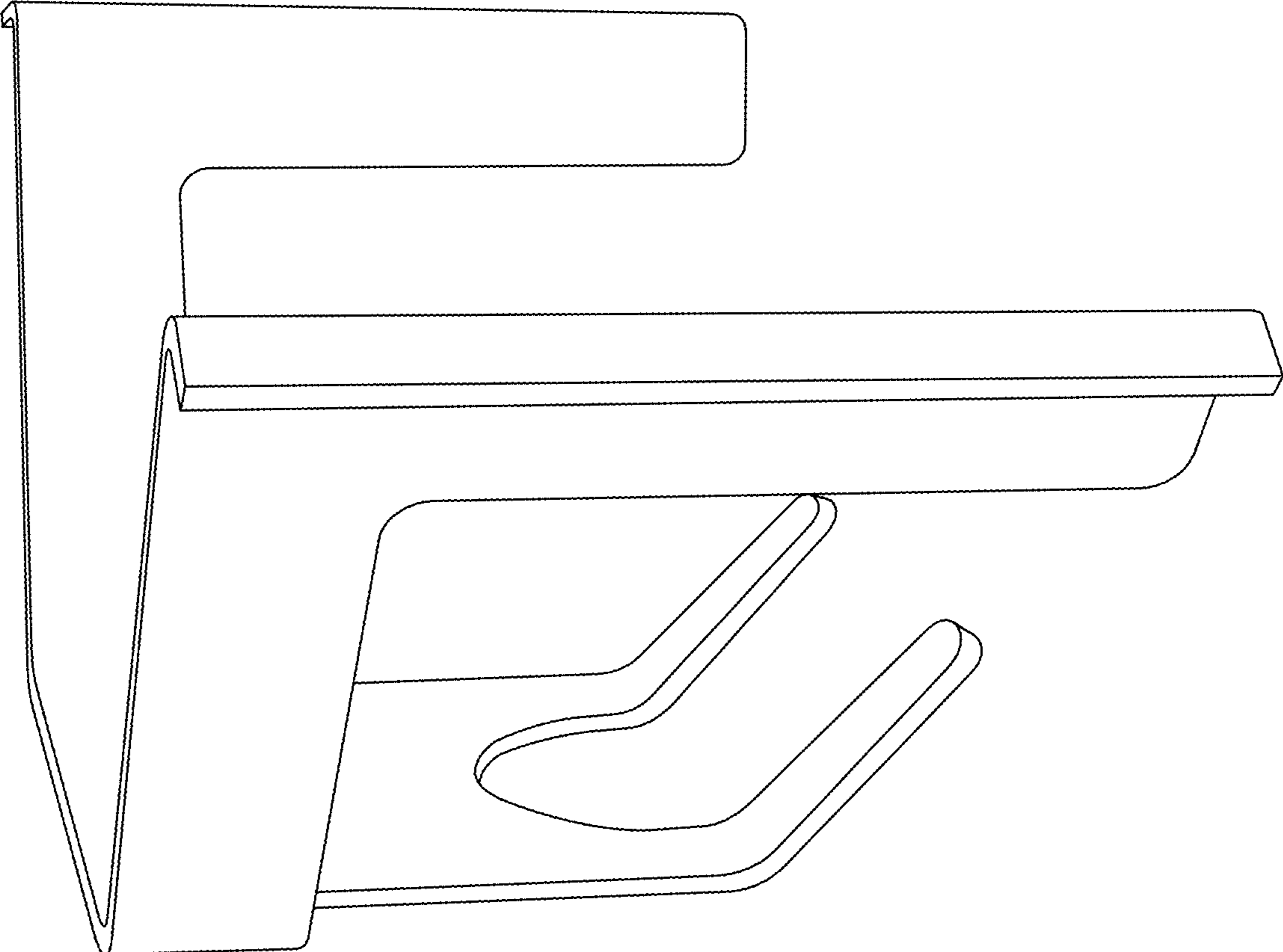


FIG. 5

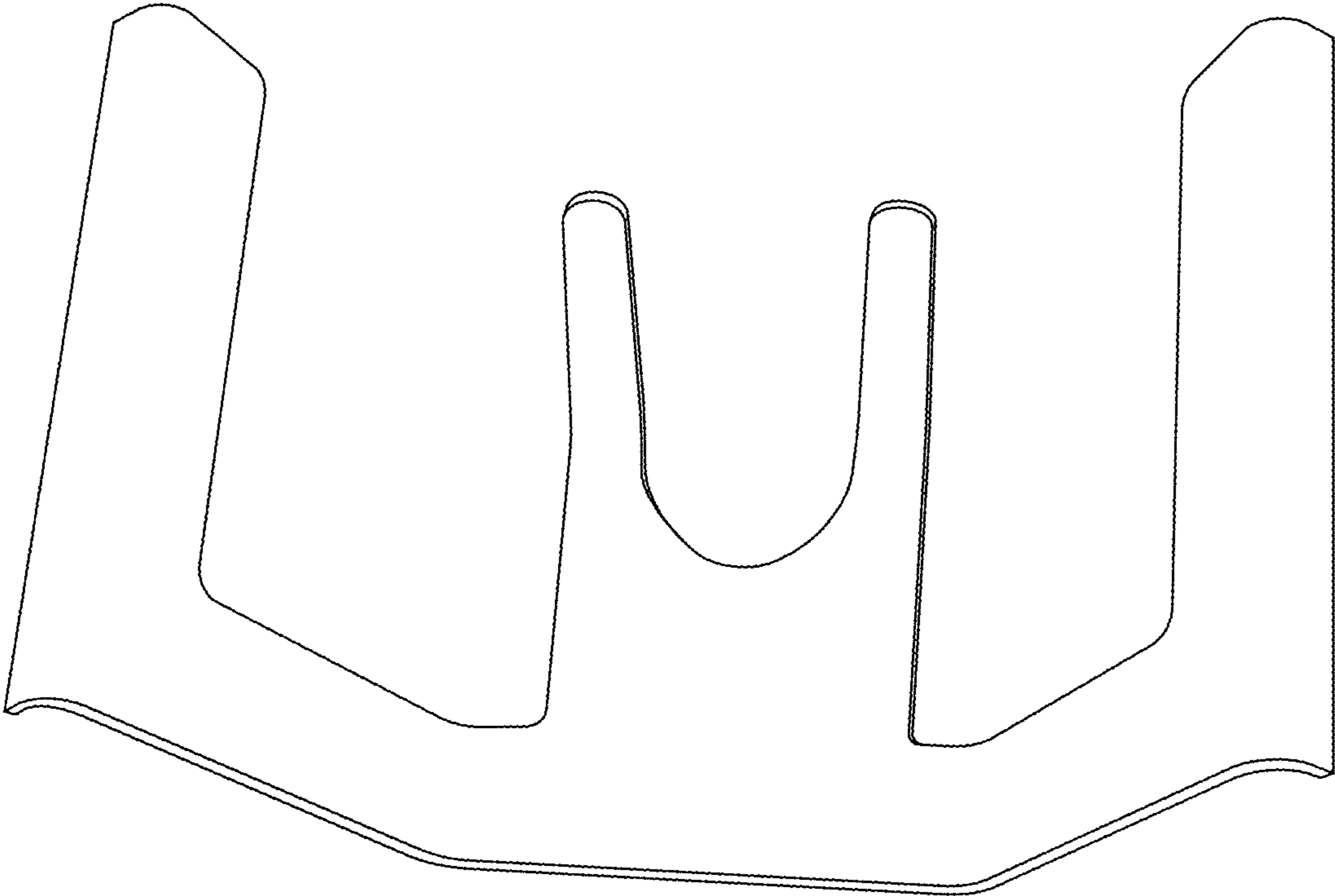


FIG. 6

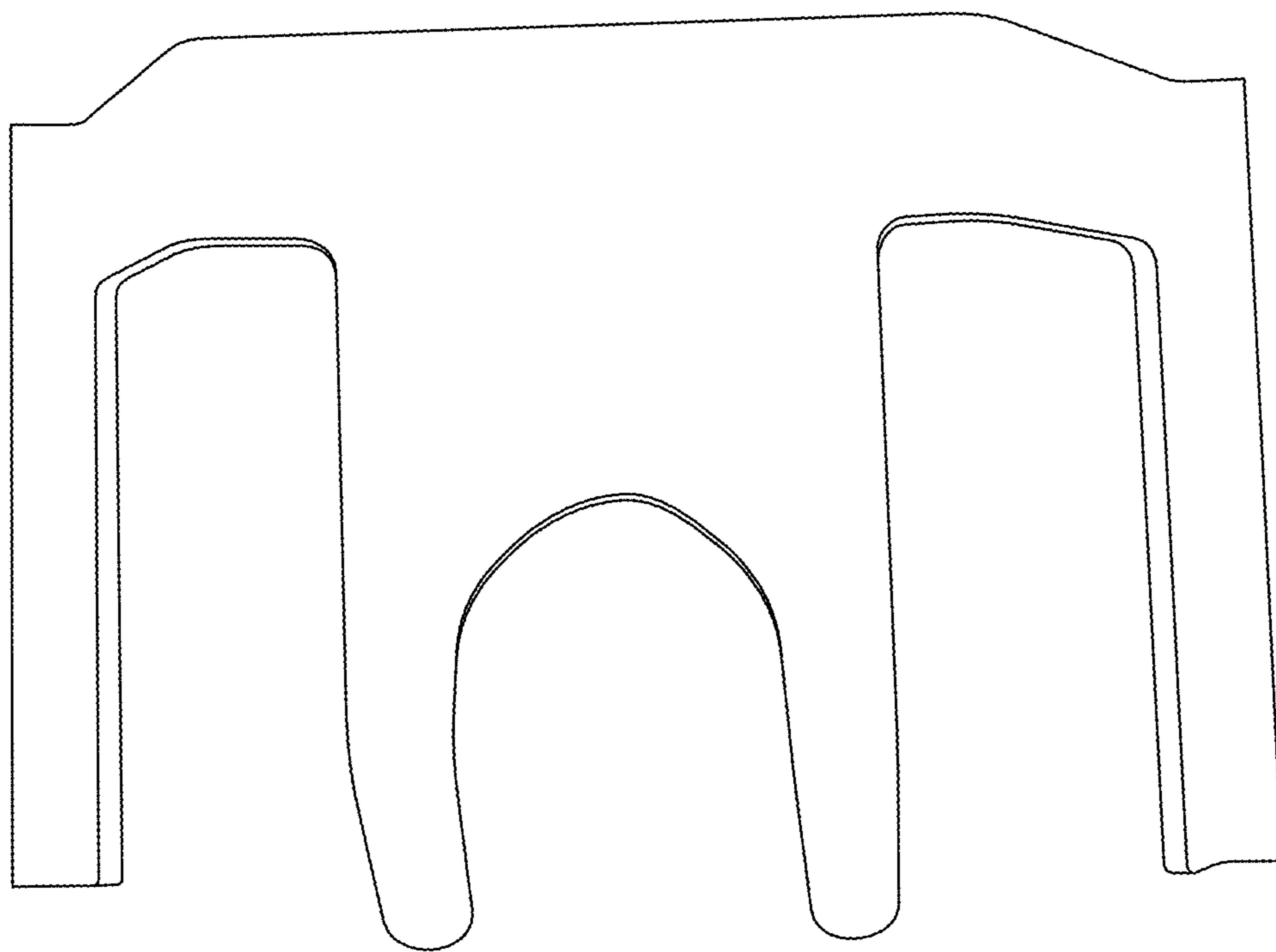


FIG. 7