



US00D922710S

(12) **United States Design Patent** (10) **Patent No.:** **US D922,710 S**
Dickson et al. (45) **Date of Patent:** **** Jun. 15, 2021**

(54) **BARNACLE SCRAPER**
(71) Applicants: **Jane Dickson**, Titusville, FL (US);
Geeta Ullius, Coco, FL (US)
(72) Inventors: **Jane Dickson**, Titusville, FL (US);
Geeta Ullius, Coco, FL (US)
(**) Term: **15 Years**
(21) Appl. No.: **29/689,824**
(22) Filed: **May 2, 2019**
(51) **LOC (13) Cl.** **07-05**
(52) **U.S. Cl.**
USPC **D32/46**
(58) **Field of Classification Search**
USPC D32/40-43, 46-49; D8/33, 92, 98
CPC A61B 17/14; B26B 19/38; B66F 15/00
See application file for complete search history.

D737,650 S * 9/2015 Allen B66F 15/00
D8/105
D800,521 S * 10/2017 Vontsteen D8/16
D845,094 S * 4/2019 Chiu D8/14
D867,094 S * 11/2019 Rowley D8/88
2007/0283503 A1* 12/2007 Ryan A62B 3/00
7/166

FOREIGN PATENT DOCUMENTS

CA 177871 * 7/2018

OTHER PUBLICATIONS

Nisaku 3 in. Blade Stainless Steel U-Shaped Scraper Knife Home Depot review 2017, <https://www.homedepot.com/p/Nisaku-3-in-Blade-Stainless-Steel-U-Shaped-Scraper-Knif...> site visited Apr. 26, 2020.*

* cited by examiner

Primary Examiner — John R Yeh

(74) *Attorney, Agent, or Firm* — Sanchelima & Associates, P.A.; Christian Sanchelima; Alexander Rodriguez

(56) **References Cited**

U.S. PATENT DOCUMENTS

D55,792 S * 7/1920 Hudgins D8/89
1,641,252 A * 9/1927 Dickey B25B 13/08
81/125
D255,320 S * 6/1980 Steck D8/89
D268,215 S * 3/1983 McBride D32/49
D321,962 S * 11/1991 Roma D32/49
D327,553 S * 6/1992 Gringer D32/49
D355,103 S * 2/1995 Bartlett D8/14
D359,894 S * 7/1995 Pomeroy D8/16
D416,178 S * 11/1999 Moore D8/16
D419,848 S * 2/2000 Kirby D8/89
D456,236 S * 4/2002 Norton D8/14
D459,187 S * 6/2002 Norton D8/14
D499,627 S * 12/2004 Wilson D8/14
6,913,246 B1 * 7/2005 Skach B25C 11/00
254/131
7,117,766 B1 * 10/2006 Boehringer B25B 13/5091
81/121.1
D558,542 S * 1/2008 Kiely D8/19
D719,429 S * 12/2014 Gillogly D8/89
D732,911 S * 6/2015 Schiele H01R 43/26
D8/14

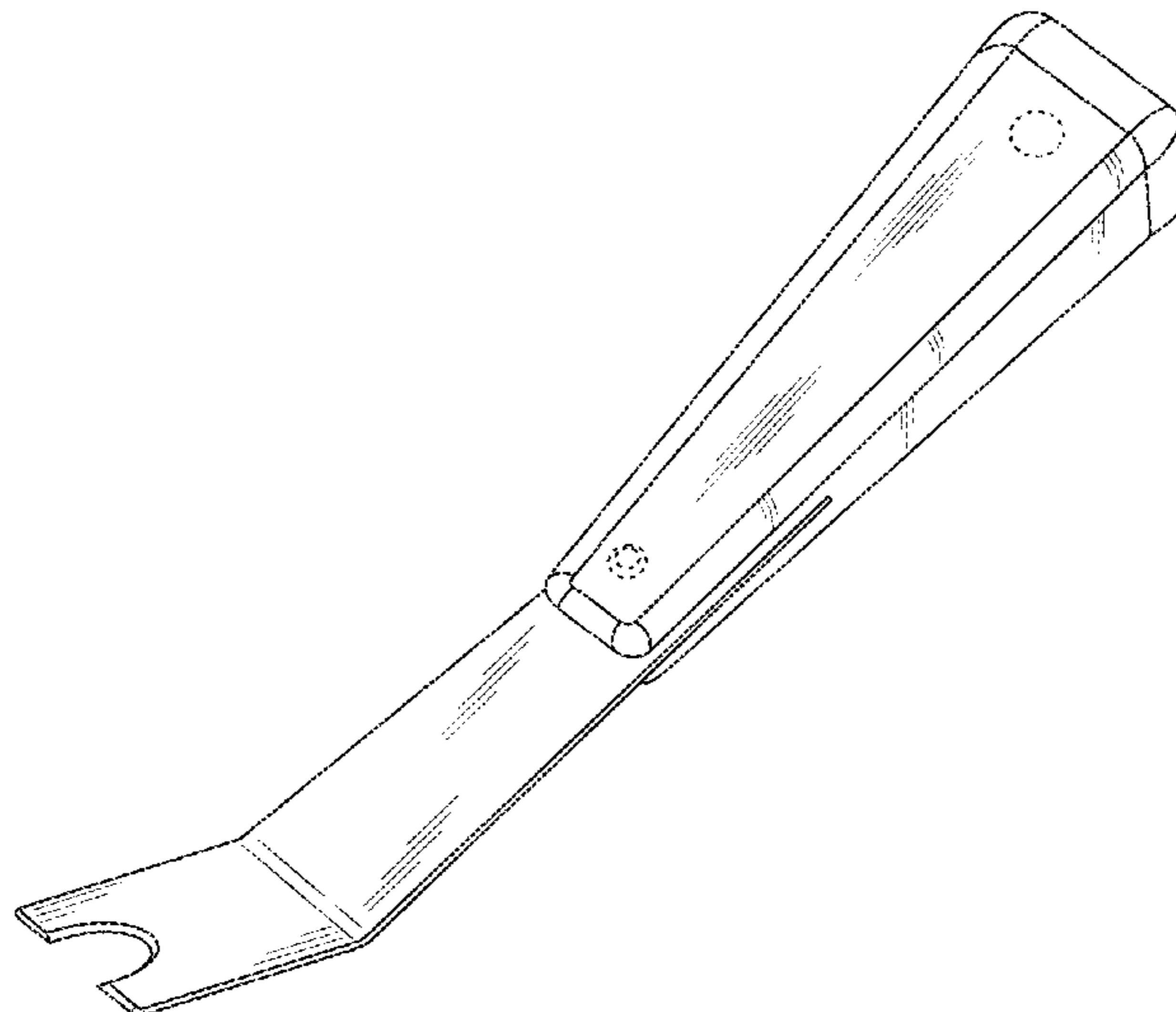
(57) **CLAIM**

The ornamental design for a barnacle scraper, as shown and described.

DESCRIPTION

FIG. 1 is an isometric top view of a barnacle scraper showing my new design;
FIG. 2 is a front view thereof;
FIG. 3 is a rear view thereof;
FIG. 4 is a left side view thereof;
FIG. 5 is a right side view thereof;
FIG. 6 is a bottom view thereof; and,
FIG. 7 is a top view thereof showing my design.
The broken lines in the figures depict portions of the barnacle scraper that form no part of the claimed design.

1 Claim, 4 Drawing Sheets



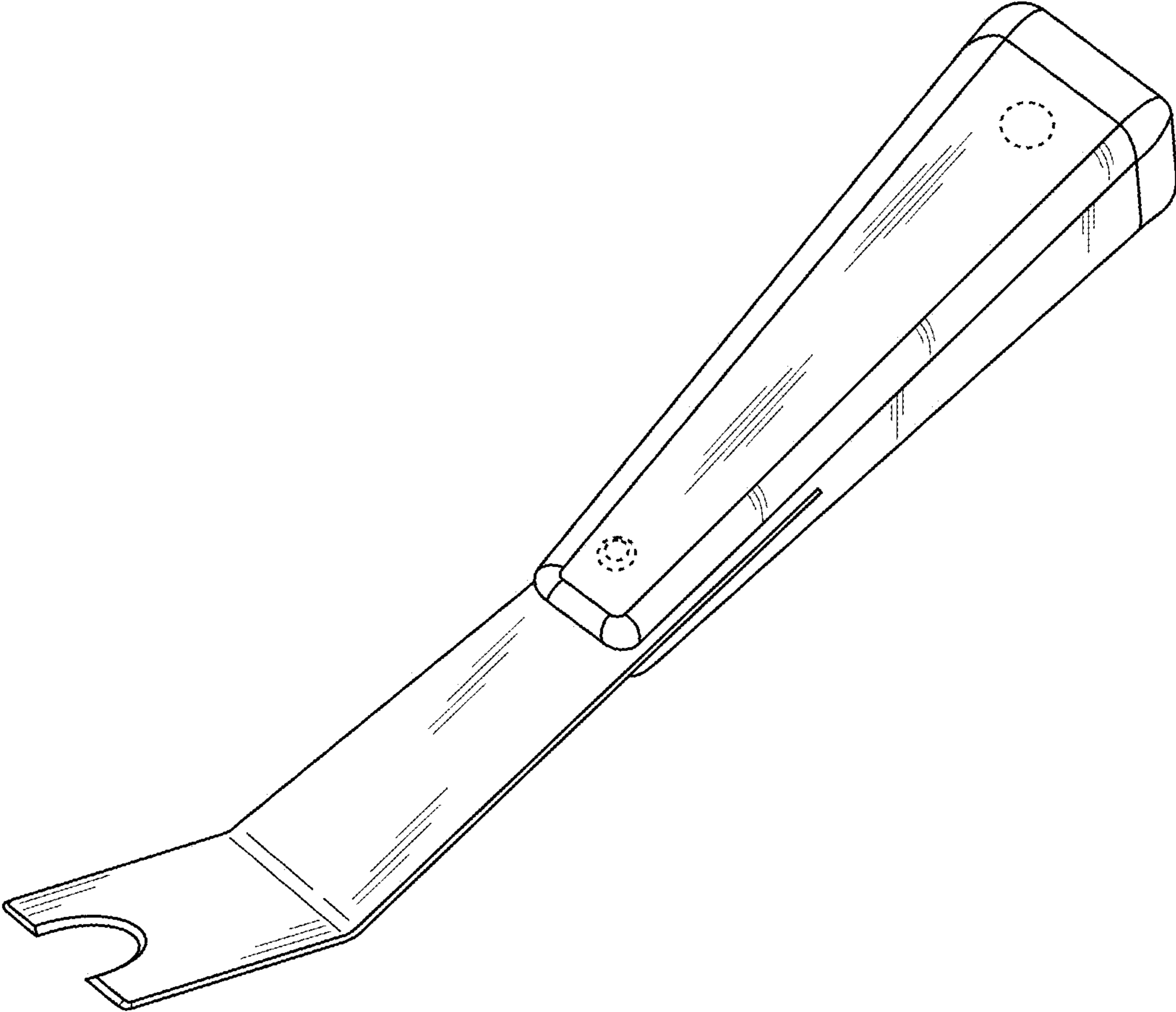


FIG. 1

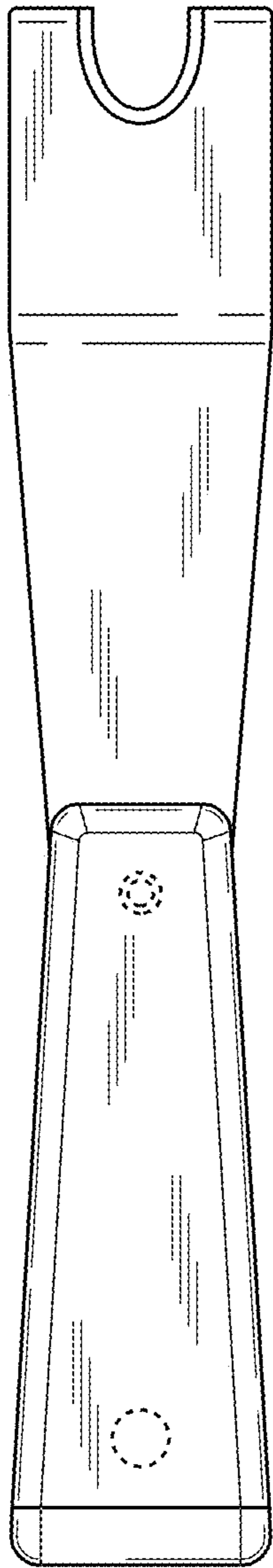


FIG. 2

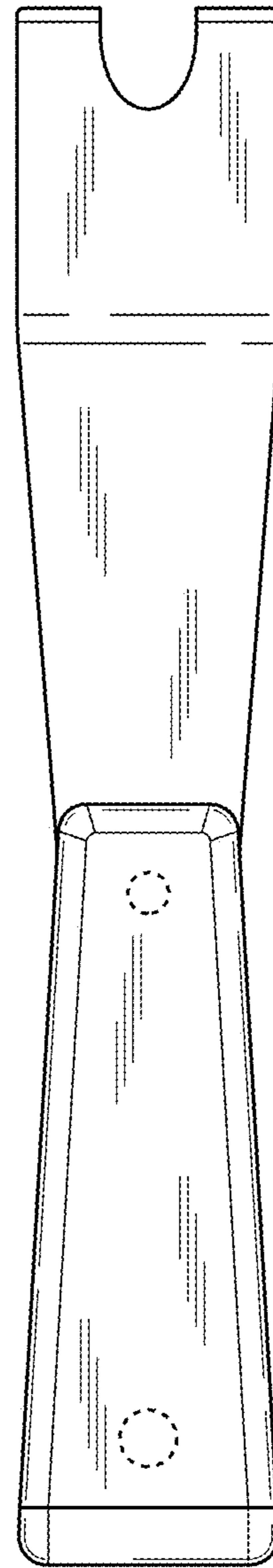


FIG. 3

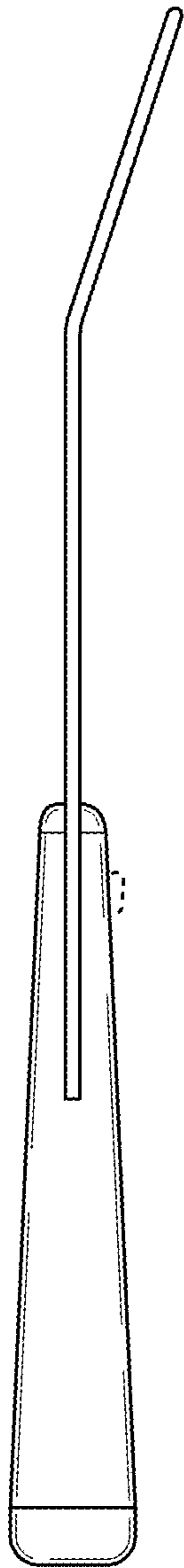


FIG. 4

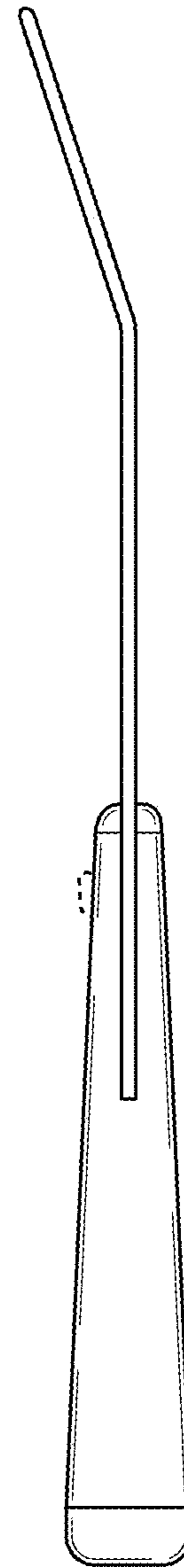


FIG. 5

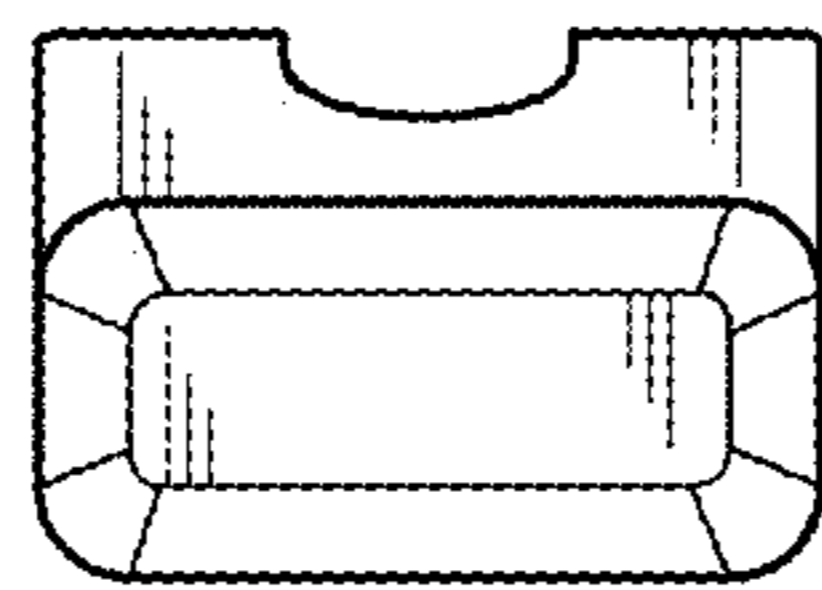


FIG. 6

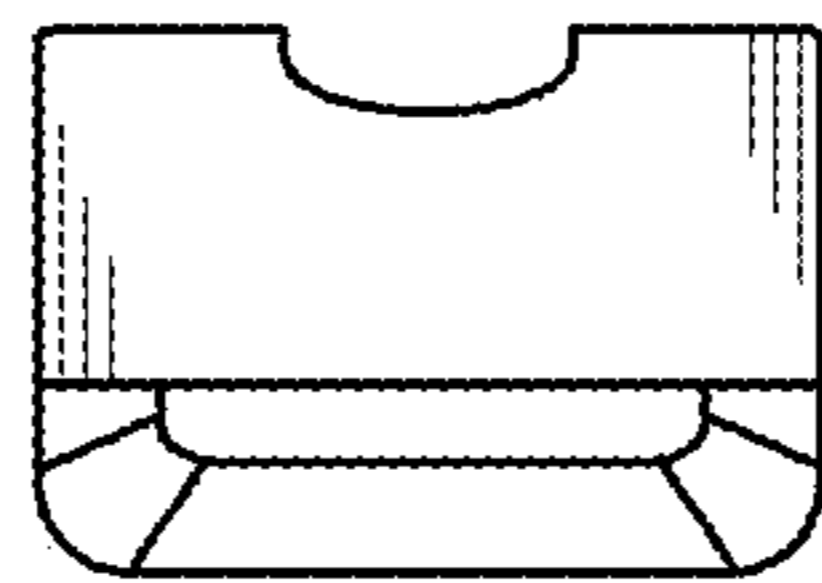


FIG. 7