



US00D922705S

(12) **United States Design Patent** (10) **Patent No.:** **US D922,705 S**
Baldwin et al. (45) **Date of Patent:** **** Jun. 15, 2021**

(54) **LINT TOOL**
(71) Applicant: **3M INNOVATIVE PROPERTIES COMPANY**, St. Paul, MN (US)
(72) Inventors: **Mark W. Baldwin**, Woodbury, MN (US); **Kevin R. Wruble**, Minneapolis, MN (US); **Lloyd S. Vasilakes**, Stillwater, MN (US)
(73) Assignee: **3M Innovative Properties Company**, St. Paul, MN (US)
(**) Term: **15 Years**
(21) Appl. No.: **29/664,771**
(22) Filed: **Sep. 27, 2018**
(51) **LOC (13) Cl.** **07-05**
(52) **U.S. Cl.**
USPC **D32/35**
(58) **Field of Classification Search**
USPC D32/2-3, 25, 30, 35, 39, 46, 54; D4/128, D4/103, 121-122, 124, 116, 133, 199, D4/138; D3/200
CPC B32B 33/00; A47L 25/00
See application file for complete search history.

D336,784 S * 6/1993 Yen D4/122
D341,256 S * 11/1993 Brazis D4/122
D407,870 S * 4/1999 Pappas D32/25
D468,540 S * 1/2003 Jessen D4/122
D683,545 S * 6/2013 Refior D4/122
8,763,190 B2 * 7/2014 Ross A47L 13/00
15/104.001
D742,086 S * 10/2015 Pennington D32/1
D756,132 S * 5/2016 Michelson D4/122

(Continued)

FOREIGN PATENT DOCUMENTS

CN 304417454 * 12/2017
EM 002655233-0001 * 3/2015
EP 3 245 928 11/2017

OTHER PUBLICATIONS

Scotch-Brite™ Mini-Travel Lint Roller Tool, reviews 2019, [https://www.scotch-brite.com/3M/en_US/scotch-brite/tools/~/Scotch-Brite-Mini-Travel-Li . . .](https://www.scotch-brite.com/3M/en_US/scotch-brite/tools/~/Scotch-Brite-Mini-Travel-Li...), site visited Feb. 29, 2020.*

Primary Examiner — John R Yeh

(57) **CLAIM**

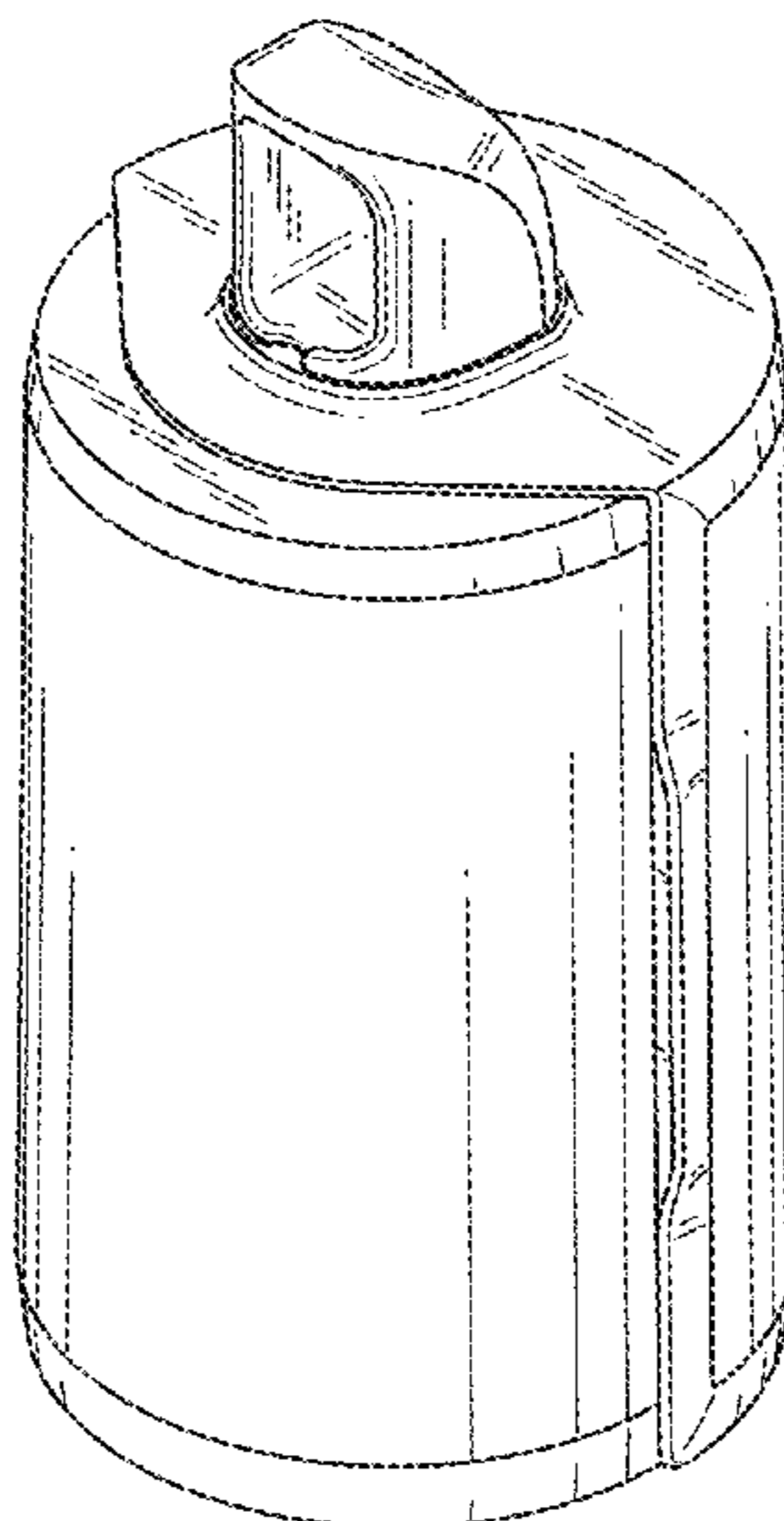
The ornamental design for a lint tool, as shown and described.

DESCRIPTION

FIG. 1 is a perspective view showing the new design for a lint tool;
FIG. 2 is a front view thereof;
FIG. 3 is a right side view thereof;
FIG. 4 is a rear view thereof;
FIG. 5 is a left side view thereof;
FIG. 6 is a top view thereof; and,
FIG. 7 is a bottom view thereof.
The portions of the lint tool in FIG. 7 shown in broken lines are included to show features that form no part of the claimed design.

1 Claim, 3 Drawing Sheets

(56) **References Cited**
U.S. PATENT DOCUMENTS
D59,017 S * 9/1921 Tour et al. D18/18
2,401,842 A * 6/1946 Slater A47L 25/005
15/104.002
D162,250 S * 2/1951 Staggers et al. D32/41
2,669,742 A * 2/1954 Coughlan B05C 17/02
15/230.11
2,887,711 A * 5/1959 Hutchinson A63C 11/08
15/230.11
3,421,170 A * 1/1969 Thomas, Jr. A47L 25/005
15/104.002
D273,058 S * 3/1984 McKay D4/122
D273,059 S * 3/1984 McKay D4/122
D321,093 S * 10/1991 Jarecki D4/122



(56)

References Cited

U.S. PATENT DOCUMENTS

D814,130 S *	3/2018	Taub	D32/40
D818,716 S *	5/2018	Savignac	D4/122
2006/0048888 A1 *	3/2006	Raymond	B29C 67/0048 156/250
2007/0179522 A1 *	8/2007	Becker	A61L 15/46 606/204
2009/0107856 A1 *	4/2009	Egnatic	A47L 15/505 206/6.1
2013/0205522 A1 *	8/2013	Butts	A47L 25/005 15/104.002

* cited by examiner

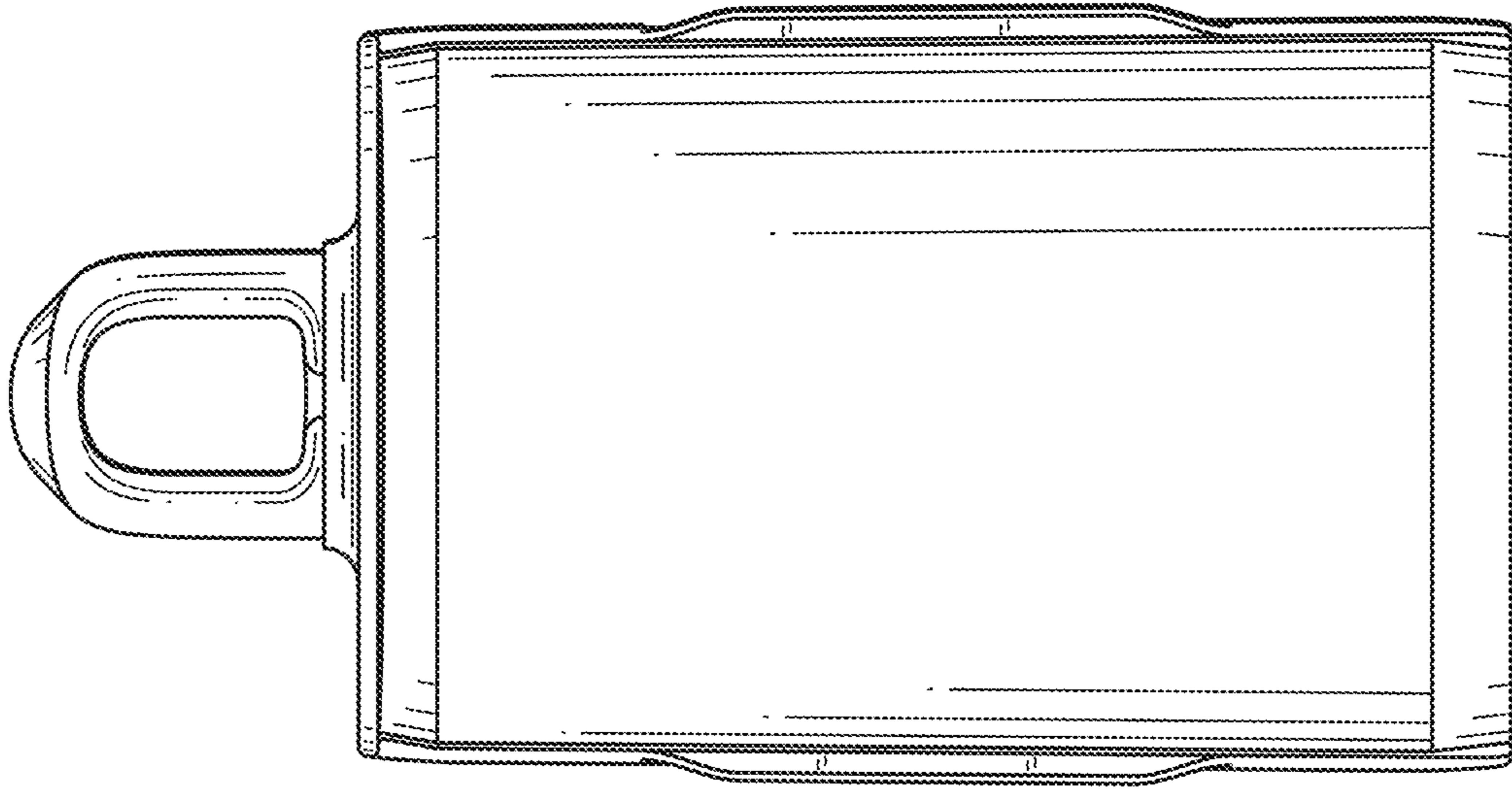


FIG. 2

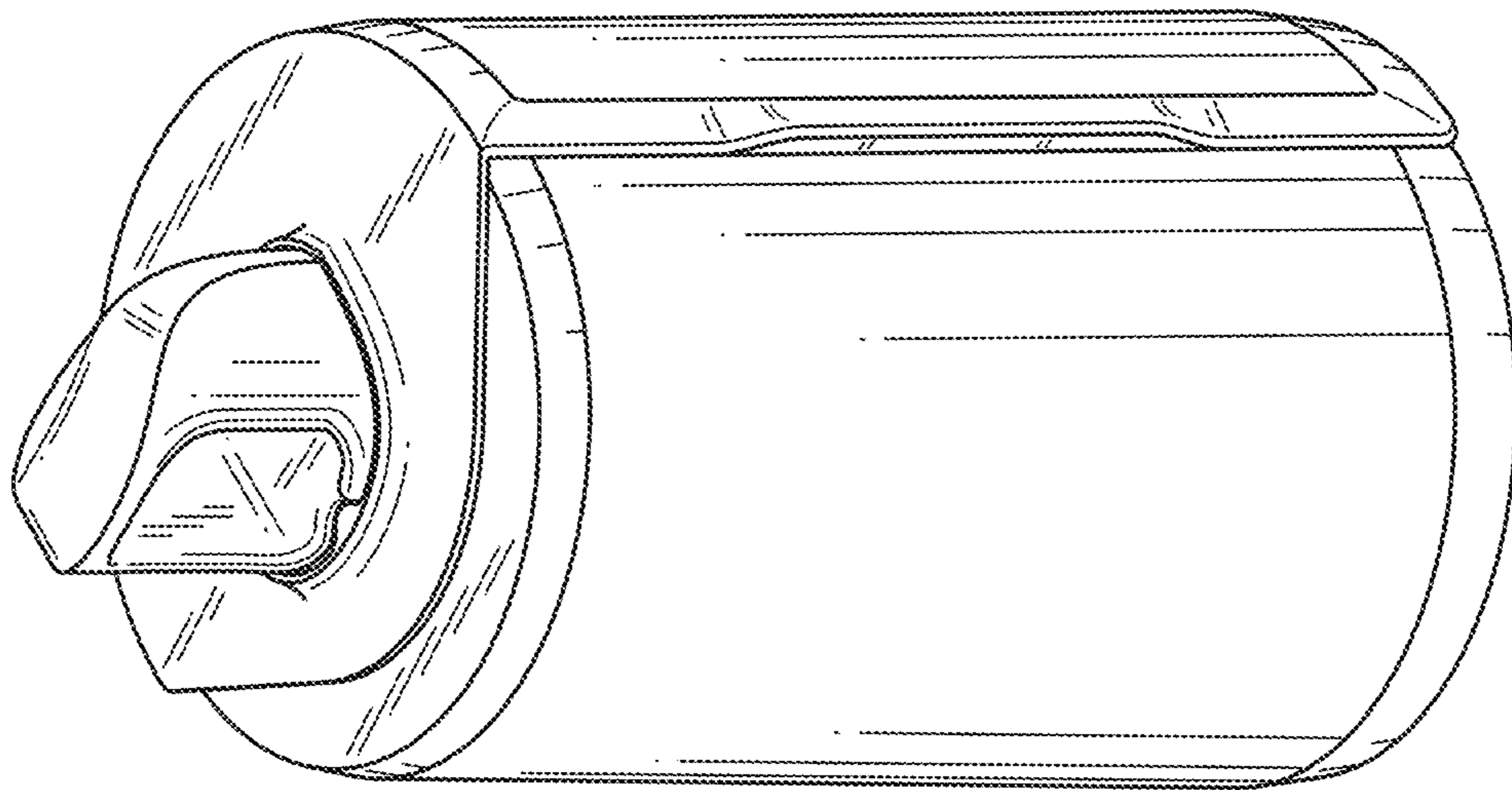


FIG. 1

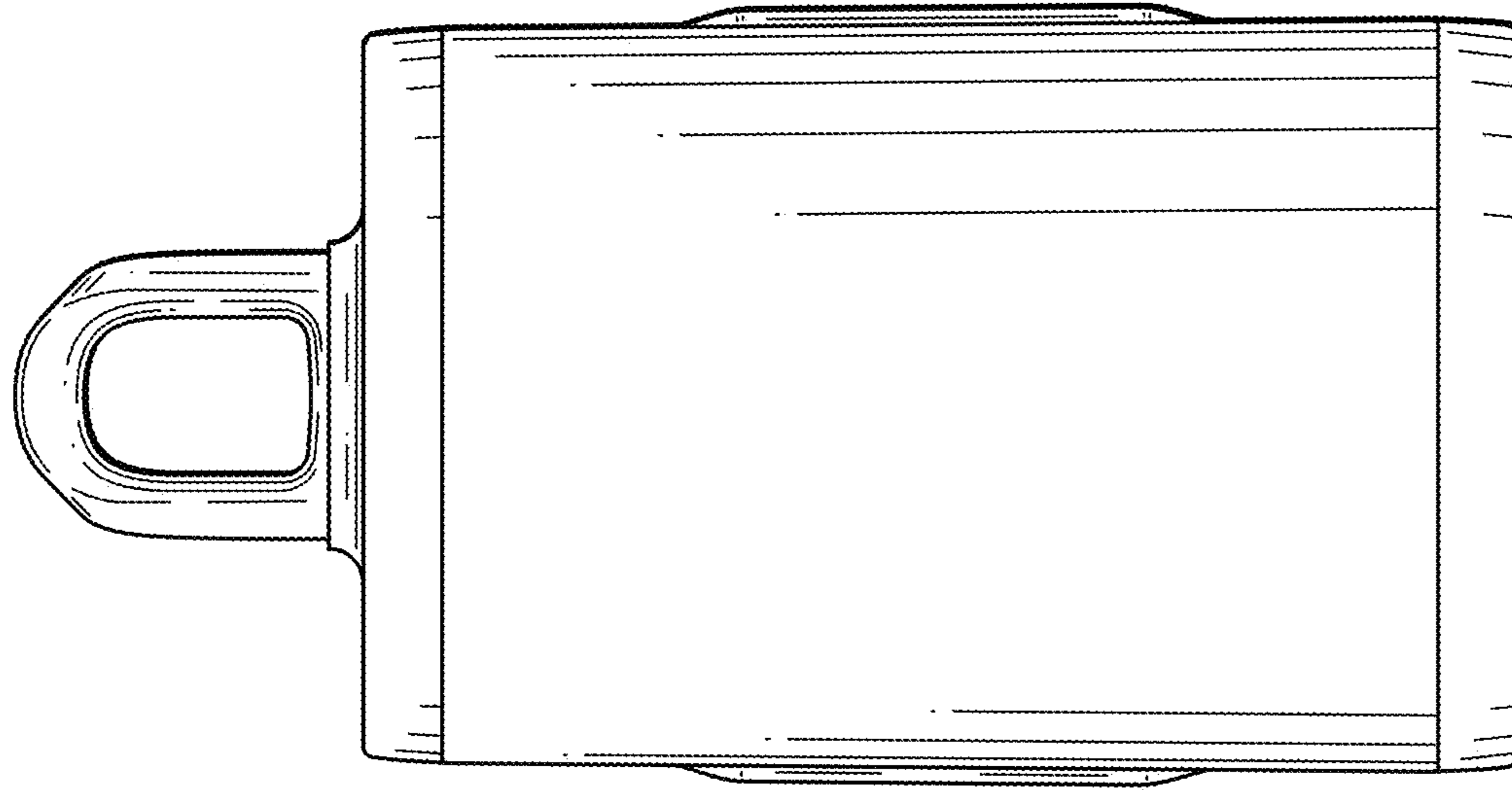


FIG. 4

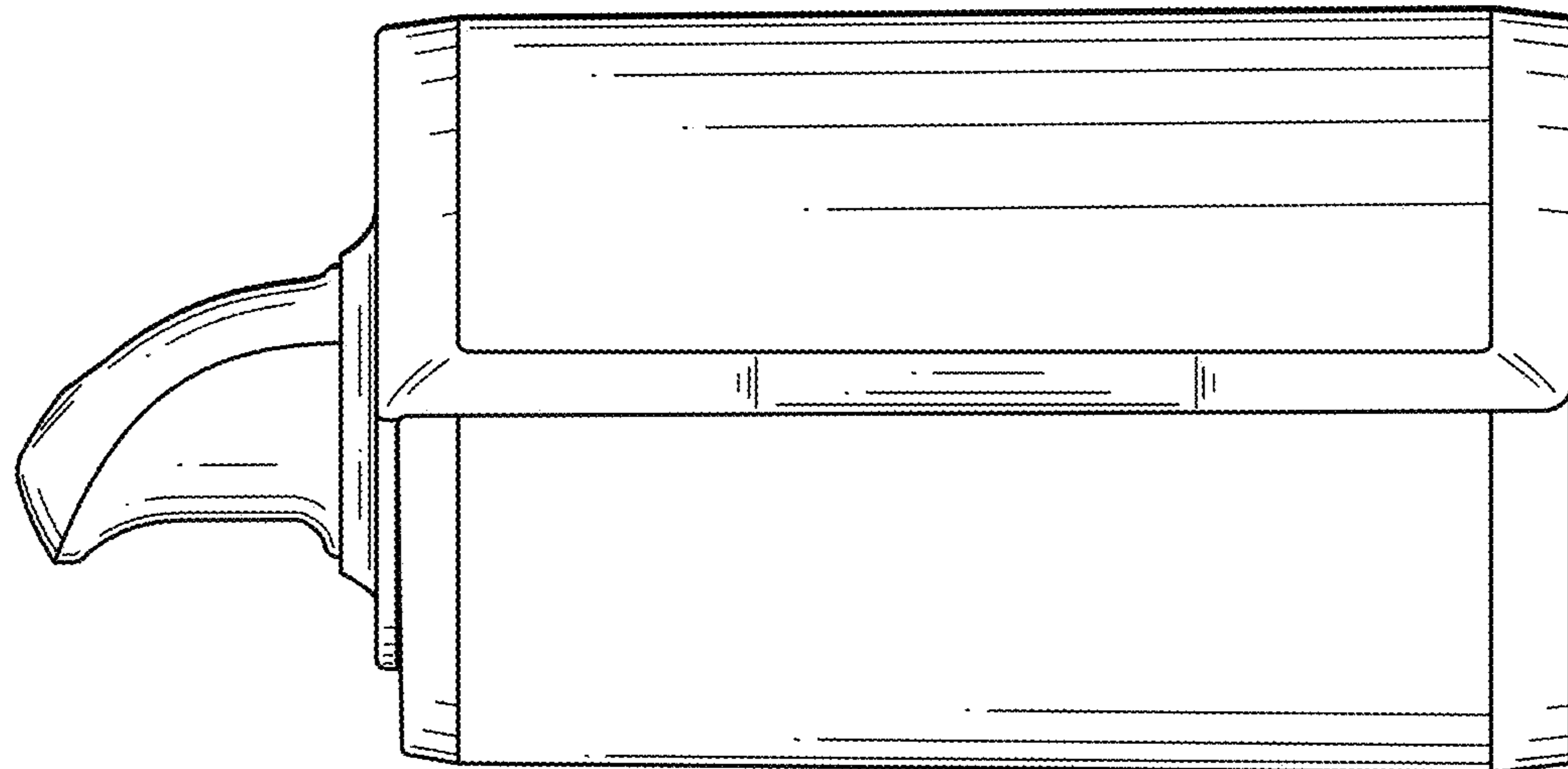


FIG. 3

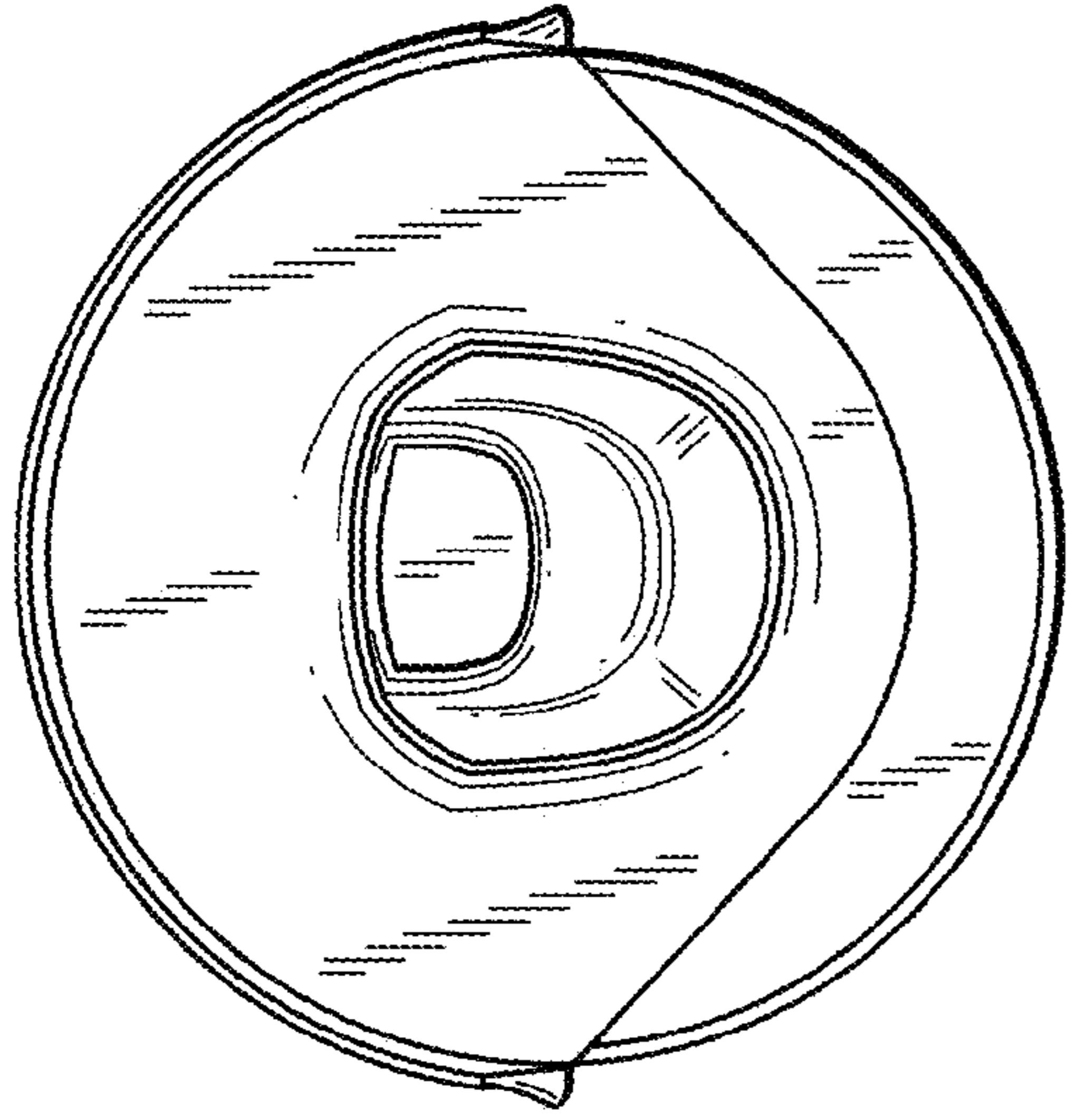


FIG. 6

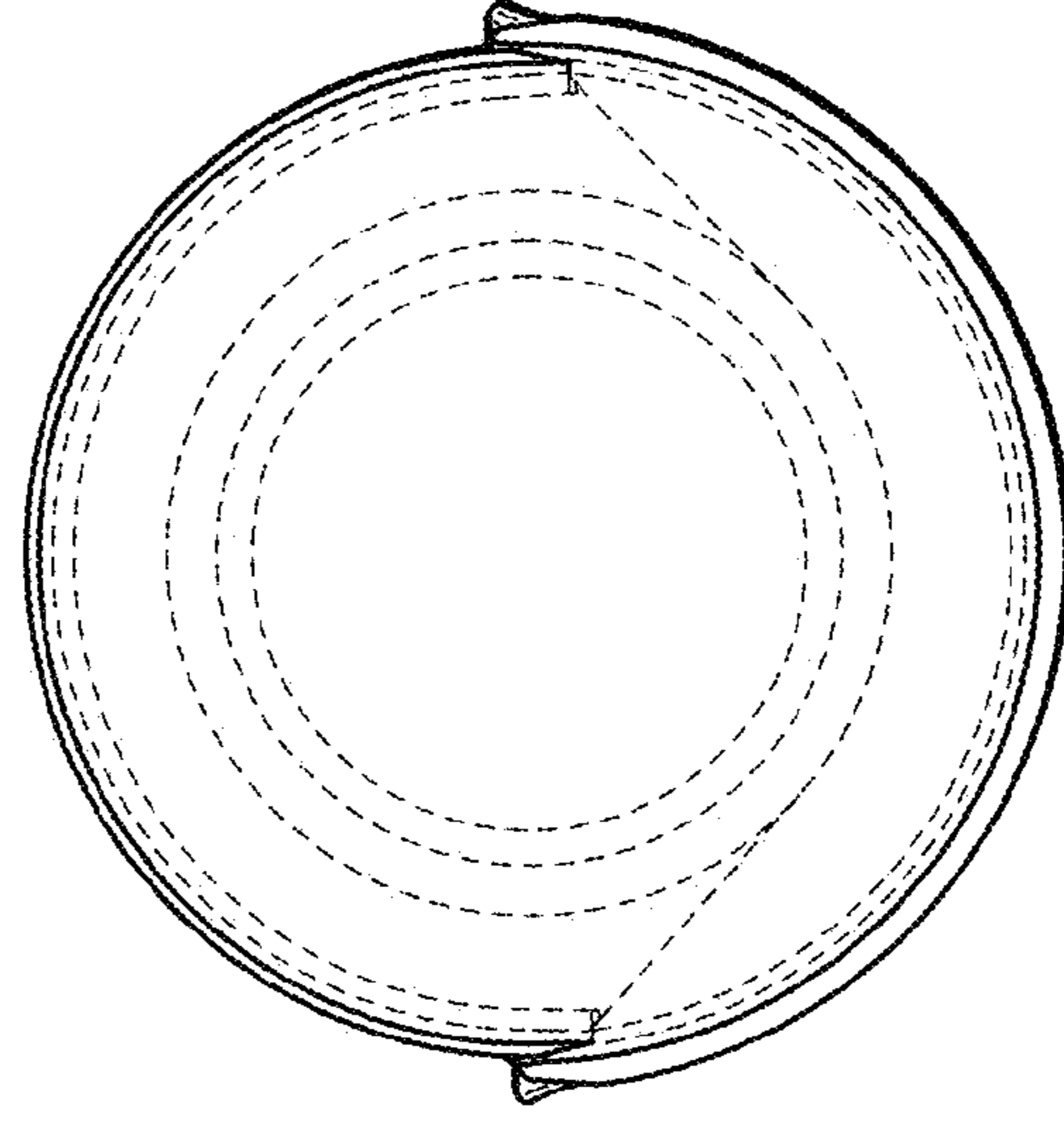


FIG. 7

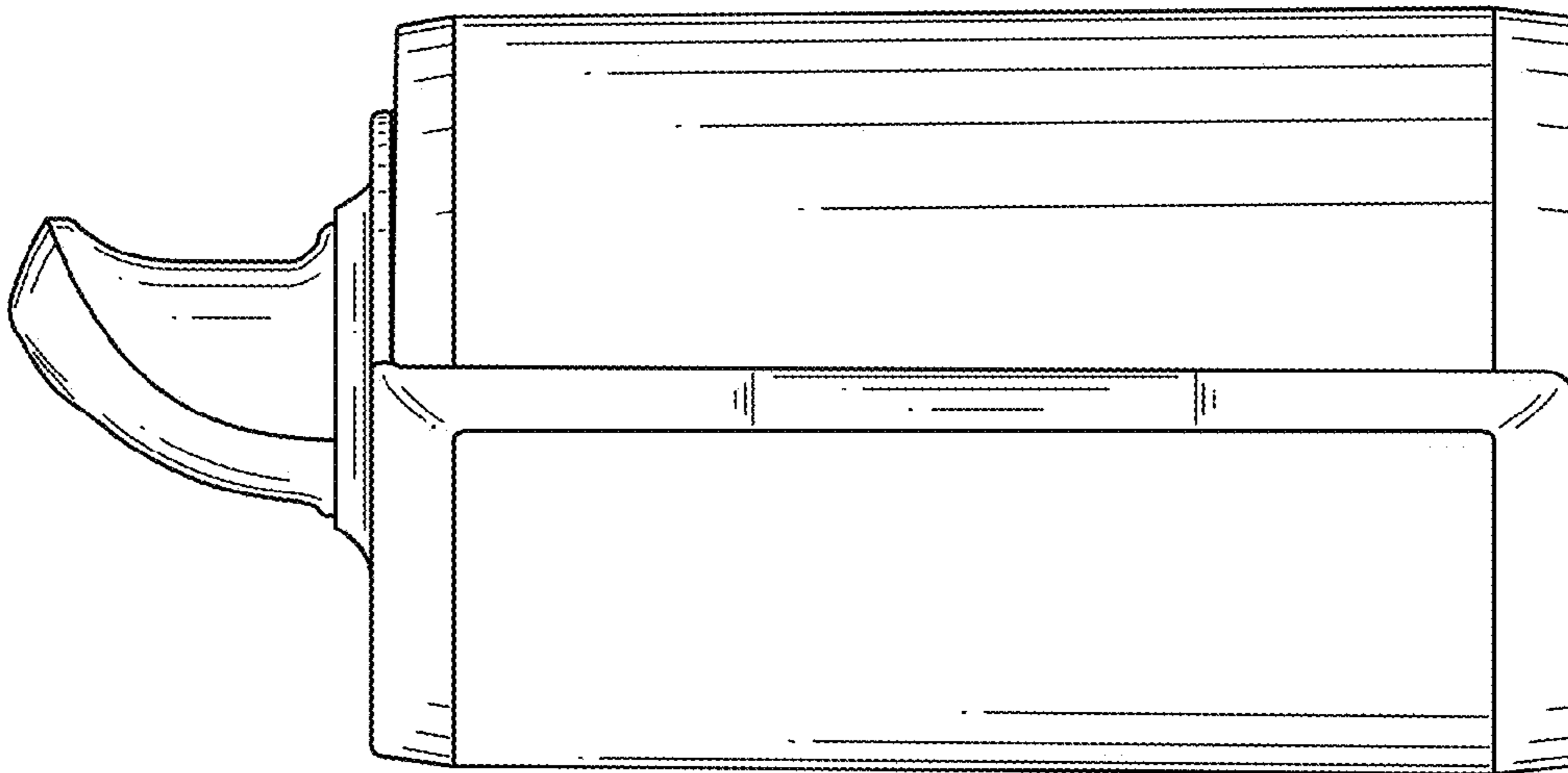


FIG. 5