



US00D922702S

(12) **United States Design Patent**  
**Hu**

(10) **Patent No.:** **US D922,702 S**  
(45) **Date of Patent:** **\*\* Jun. 15, 2021**

(54) **HAND-HELD GARMENT STEAMER**

(71) Applicant: **Jianquan Hu**, Ningbo (CN)

(72) Inventor: **Jianquan Hu**, Ningbo (CN)

(\*\*) Term: **15 Years**

(21) Appl. No.: **29/716,294**

(22) Filed: **Dec. 9, 2019**

(30) **Foreign Application Priority Data**

Nov. 21, 2019 (CN) ..... 201930642089.5

(51) **LOC (13) Cl.** ..... **15-05**

(52) **U.S. Cl.**  
USPC ..... **D32/17**

(58) **Field of Classification Search**  
USPC ..... D4/114; D32/17, 18, 35  
CPC ..... D06F 75/14; D06F 73/00; D06F 75/10;  
D06F 75/30; D06F 87/00; D06F 75/20;  
D06F 75/12; A01N 47/34; A61L 2/07;  
B08B 9/00; A47L 11/34; D06M 11/34  
See application file for complete search history.

(56) **References Cited**

**U.S. PATENT DOCUMENTS**

- D106,361 S \* 10/1937 Schrader ..... D32/17
- D222,502 S \* 10/1971 Madl ..... D32/17
- 3,620,055 A \* 11/1971 Blachly ..... D06F 75/30  
68/222
- 3,646,317 A \* 2/1972 Osrow ..... D06F 75/30  
392/337
- D229,016 S \* 11/1973 Plasko ..... D32/17
- D229,664 S \* 12/1973 Stutzer ..... D32/17
- D255,864 S \* 7/1980 Bennett ..... D32/17
- D262,257 S \* 12/1981 Sohn ..... D32/17
- 4,399,349 A \* 8/1983 Deming ..... A45D 19/16  
128/203.17
- 4,496,826 A \* 1/1985 Osrow ..... D06F 75/14  
219/245

- 4,536,977 A \* 8/1985 Doyel ..... D06F 75/14  
219/254
- 4,571,483 A \* 2/1986 Fathi ..... D06F 87/00  
38/69
- 4,583,260 A \* 4/1986 Zai ..... A01N 47/34  
15/320
- D319,121 S \* 8/1991 Muller ..... D32/17
- 5,651,201 A \* 7/1997 Farley ..... D06F 75/30  
219/255
- D426,924 S \* 6/2000 Joiner ..... D32/35
- D436,424 S \* 1/2001 Buzzi ..... D32/17
- 6,275,653 B1 \* 8/2001 Montipo' ..... B08B 9/00  
392/405

(Continued)

**OTHER PUBLICATIONS**

Steamer for Clothes <https://www.globalsources.com/Garment-steamer/Steamer-for-Clothes-1180725519p.htm> (Year: 2021).\*

(Continued)

*Primary Examiner* — Michelle E. Wilson  
*Assistant Examiner* — Richard E. Yenchesky  
(74) *Attorney, Agent, or Firm* — W&K IP

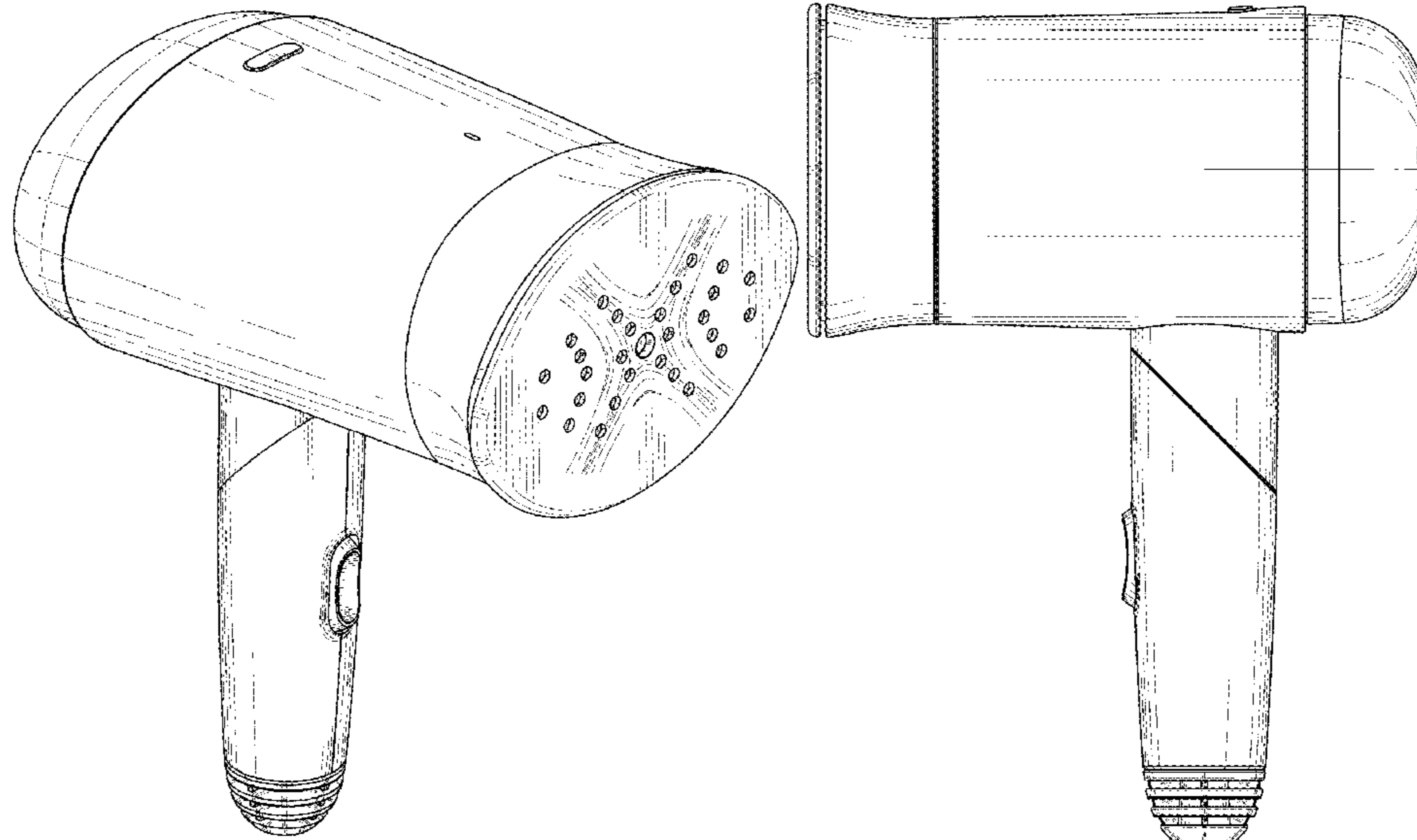
(57) **CLAIM**

The ornamental design for a hand-held garment steamer, as shown and described.

**DESCRIPTION**

FIG. 1 is a perspective view of the hand-held garment steamer showing my new design;  
FIG. 2 is a front view thereof;  
FIG. 3 is a back view thereof;  
FIG. 4 is a left side view thereof;  
FIG. 5 is a right side view thereof;  
FIG. 6 is a top view thereof; and,  
FIG. 7 is a bottom view.

**1 Claim, 7 Drawing Sheets**



(56)

References Cited

U.S. PATENT DOCUMENTS

6,986,217 B2 \* 1/2006 Leung ..... D06F 73/00  
38/77.83  
D516,759 S \* 3/2006 Lam ..... D32/17  
D525,399 S \* 7/2006 Alday Lesaga ..... D32/17  
D540,498 S \* 4/2007 Tobias ..... D32/17  
D542,488 S \* 5/2007 Lee ..... D32/17  
D576,363 S \* 9/2008 Reiner ..... D32/17  
7,490,422 B1 \* 2/2009 Chen ..... D06F 75/10  
38/75  
D589,663 S \* 3/2009 Massip ..... D32/17  
D592,365 S \* 5/2009 Massip ..... D32/17  
D601,806 S \* 10/2009 Choi ..... D4/114  
7,661,212 B2 \* 2/2010 Hahn ..... D06F 75/20  
38/81  
D622,457 S \* 8/2010 Choi ..... D32/17  
D646,029 S \* 9/2011 Choi ..... D32/17  
D646,445 S \* 10/2011 Choi ..... D32/17  
D648,494 S \* 11/2011 Vrdoljak ..... D32/17  
D648,495 S \* 11/2011 Ediger ..... D32/17  
D648,908 S \* 11/2011 Ediger ..... D32/17  
D651,774 S \* 1/2012 Tobias ..... D32/17  
D670,876 S \* 11/2012 Vrdoljak ..... D32/17  
8,893,410 B2 \* 11/2014 Vrdoljak ..... D06F 75/30  
38/77.8  
D725,326 S \* 3/2015 Spencer ..... D32/17  
D731,723 S \* 6/2015 Dammkoehler ..... D32/17  
D776,887 S \* 1/2017 Deffrennes ..... D32/17  
9,845,568 B2 \* 12/2017 Fung ..... D06F 75/10  
D808,600 S \* 1/2018 Malatray ..... D32/17  
D826,492 S \* 8/2018 Huang ..... D32/17

D842,559 S \* 3/2019 Yang ..... D32/17  
D857,313 S \* 8/2019 Smith ..... D32/17  
10,570,560 B2 \* 2/2020 Chua ..... D06F 87/00  
D894,506 S \* 8/2020 Protet ..... D32/17  
D906,606 S \* 12/2020 Zeng ..... D32/17  
2004/0010950 A1 \* 1/2004 Leung ..... D06F 73/00  
38/3  
2006/0018638 A1 \* 1/2006 Leung ..... B08B 3/00  
392/403  
2010/0024492 A1 \* 2/2010 Leung ..... D06F 73/00  
68/222  
2010/0269287 A1 \* 10/2010 Vrdoljak ..... A61L 2/07  
15/322  
2015/0354128 A1 \* 12/2015 Choo ..... A47L 11/34  
68/222  
2016/0053430 A1 \* 2/2016 Chua ..... D06F 75/30  
68/5 A  
2016/0160434 A1 \* 6/2016 Chua ..... D06F 87/00  
68/5 A  
2016/0194816 A1 \* 7/2016 Chua ..... D06F 75/20  
68/222  
2018/0142883 A1 \* 5/2018 Wadhwa ..... F22B 27/16  
2018/0371684 A1 \* 12/2018 Ong ..... D06F 75/12  
2020/0362505 A1 \* 11/2020 Razouki ..... D06M 11/34

OTHER PUBLICATIONS

Belita Amy Handheld Steamer [https://www.amazon.com/Belita-Amy-Handheld-Portable-Auto-Off/dp/B08G1K3SL4/ref=zg\\_bs\\_3737831\\_50](https://www.amazon.com/Belita-Amy-Handheld-Portable-Auto-Off/dp/B08G1K3SL4/ref=zg_bs_3737831_50) (Year: 2020).\*

\* cited by examiner

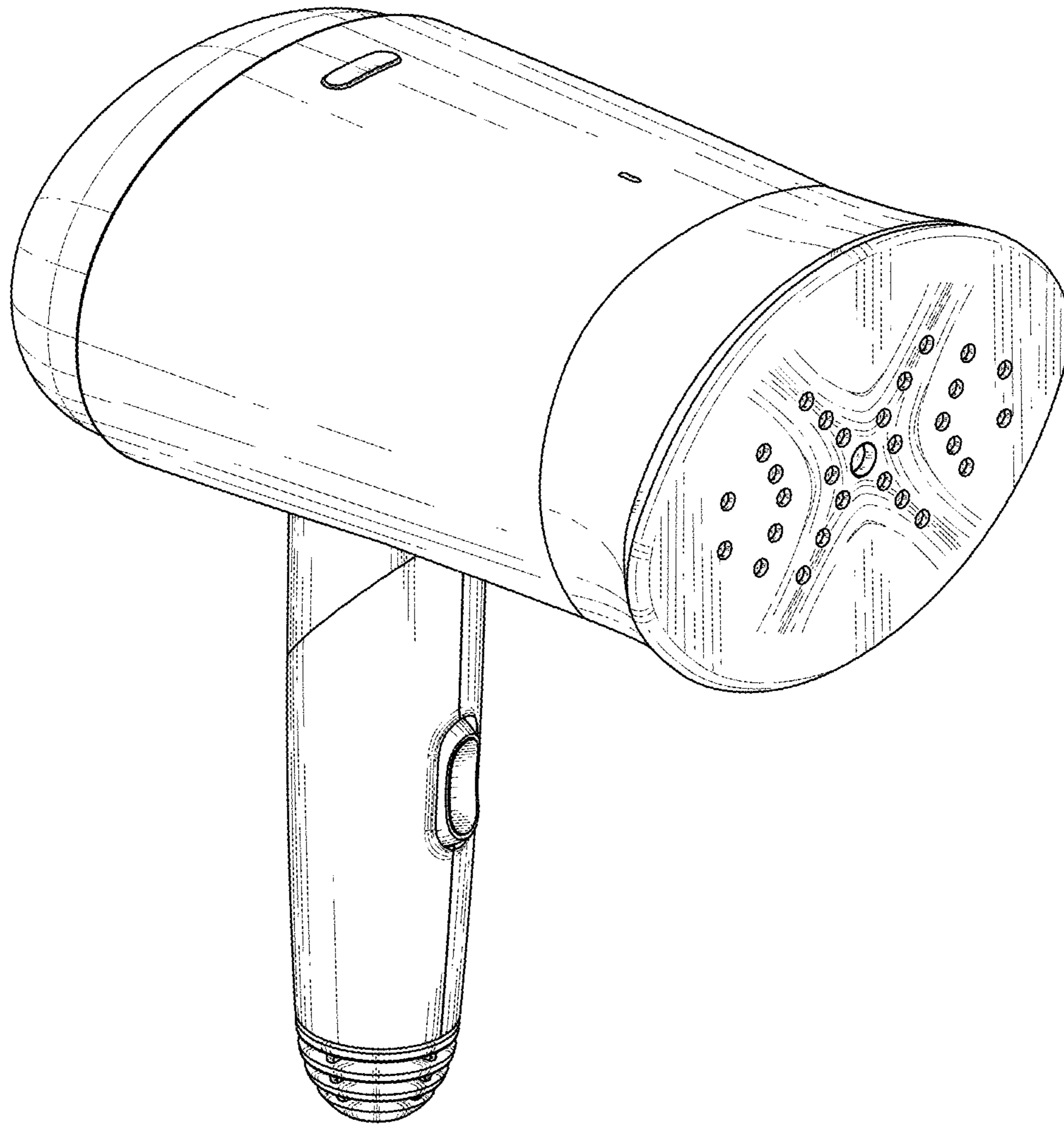


FIG. 1

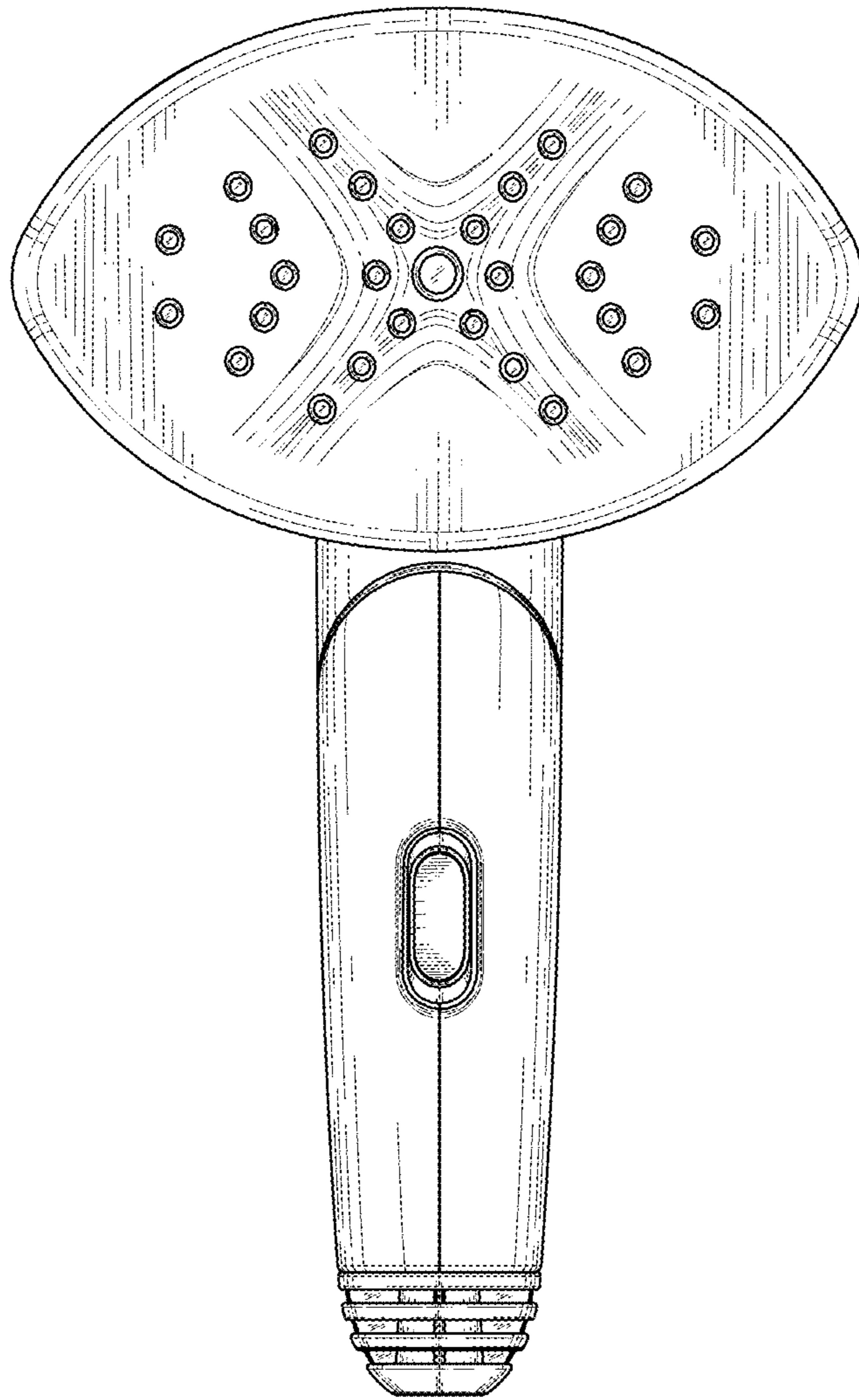


FIG. 2

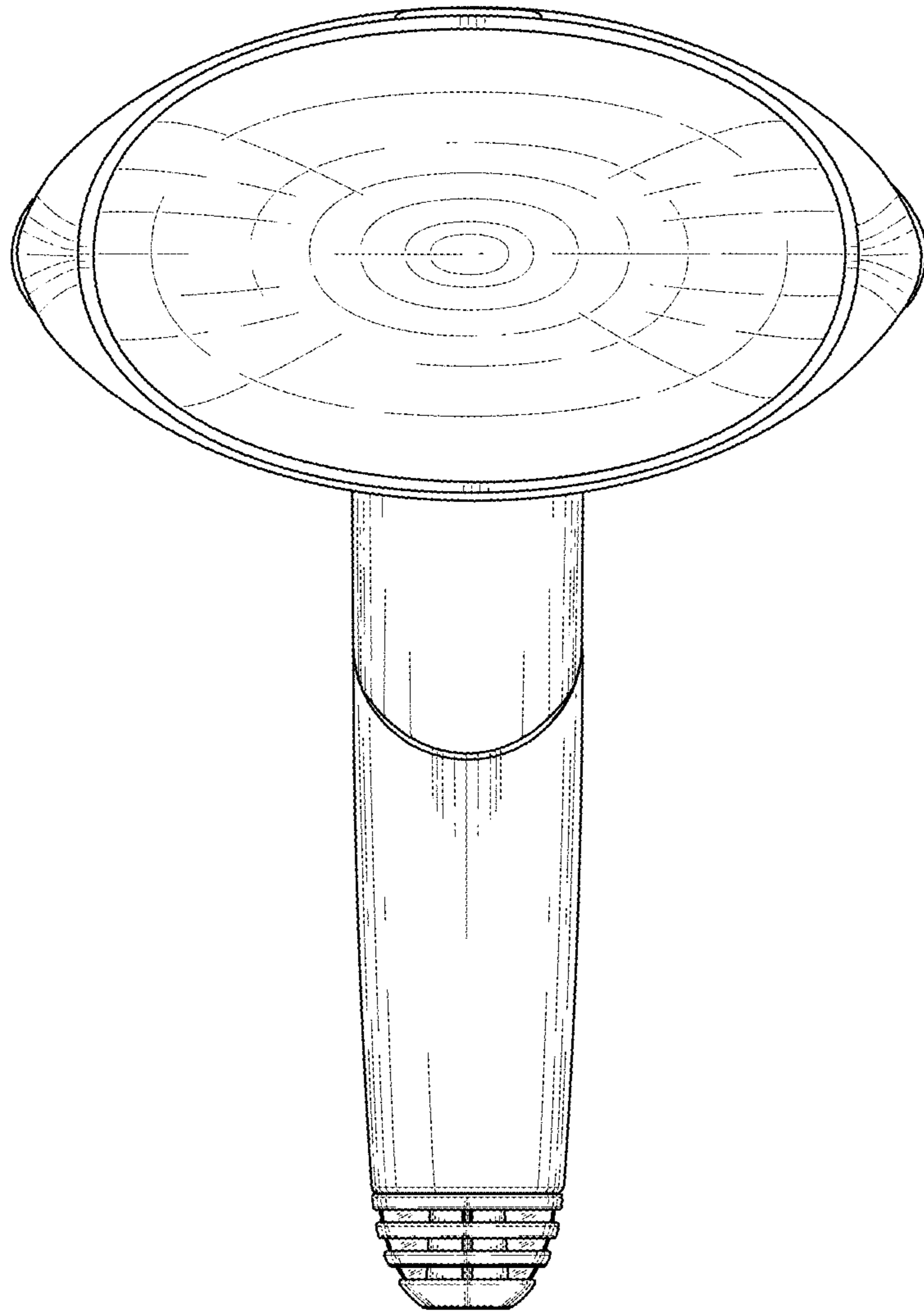


FIG. 3

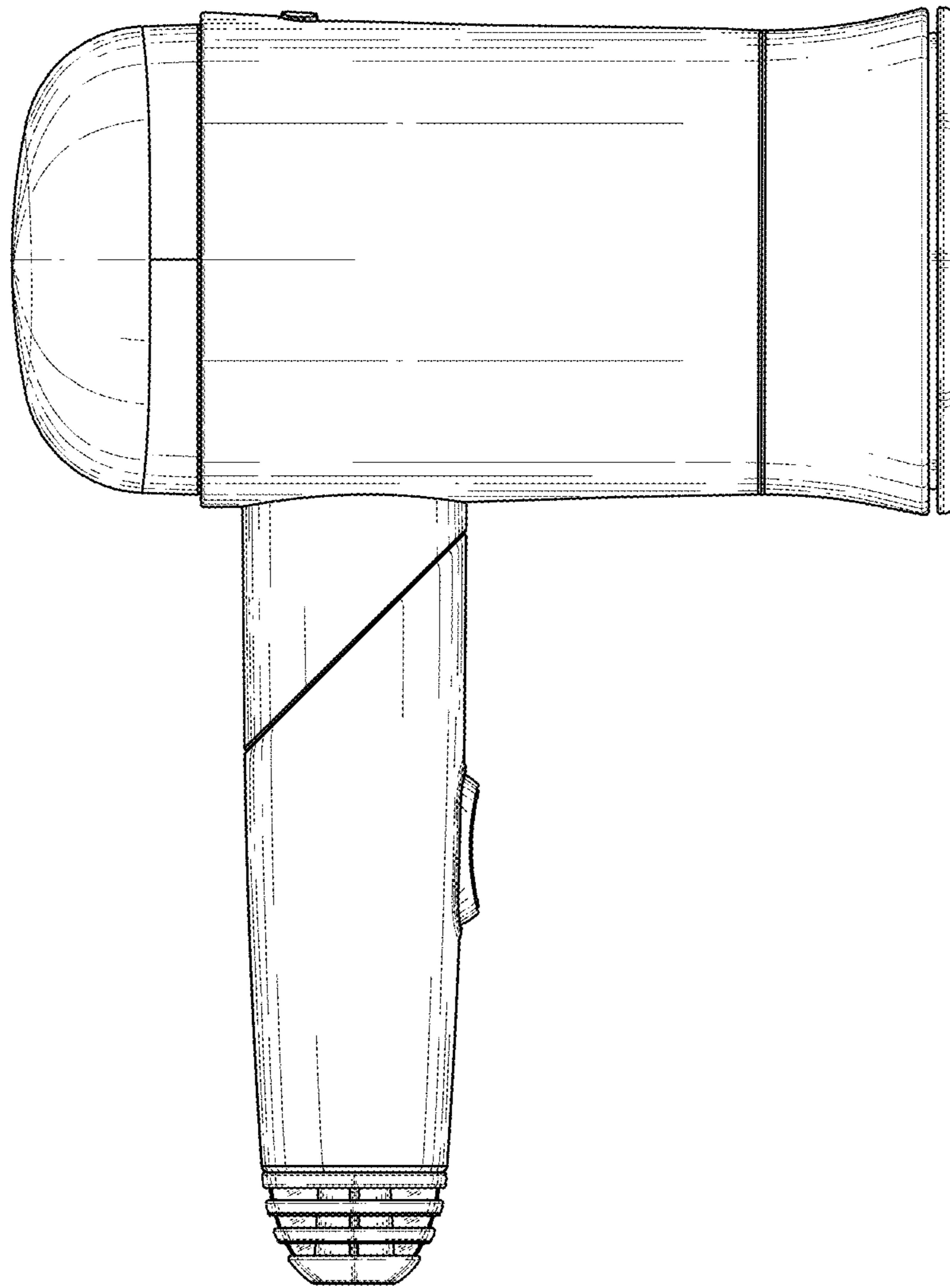


FIG. 4

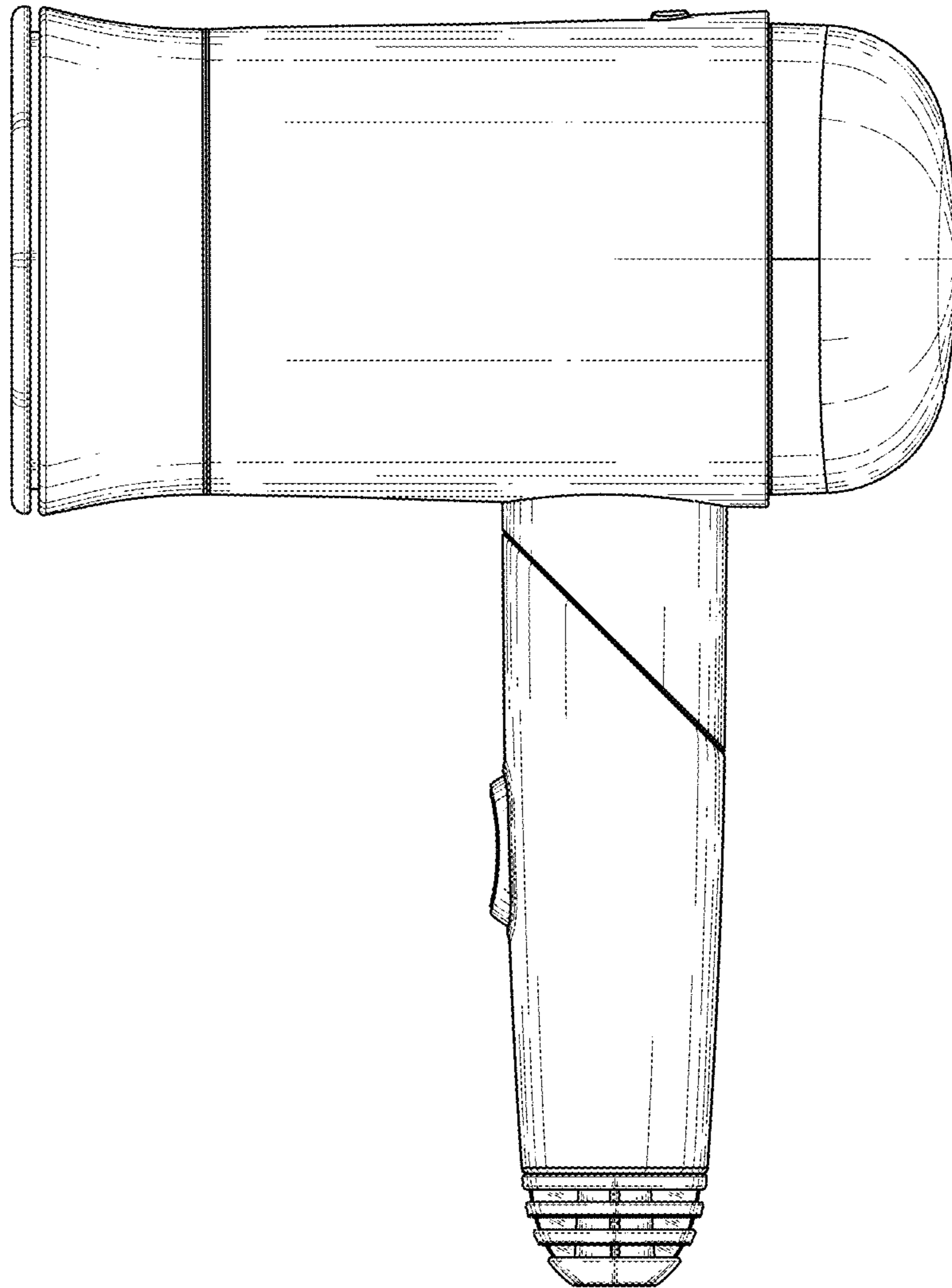


FIG. 5

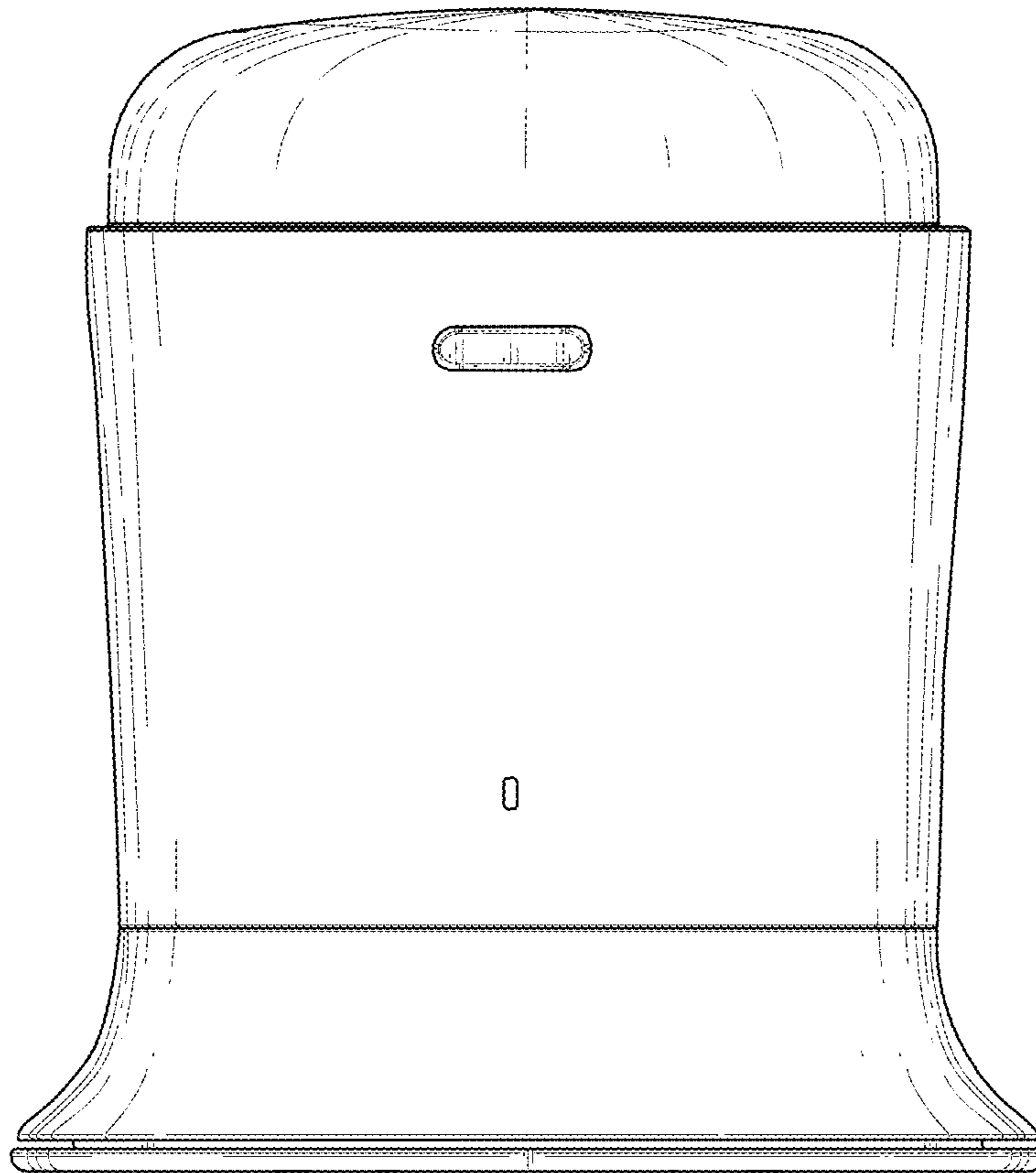


FIG. 6



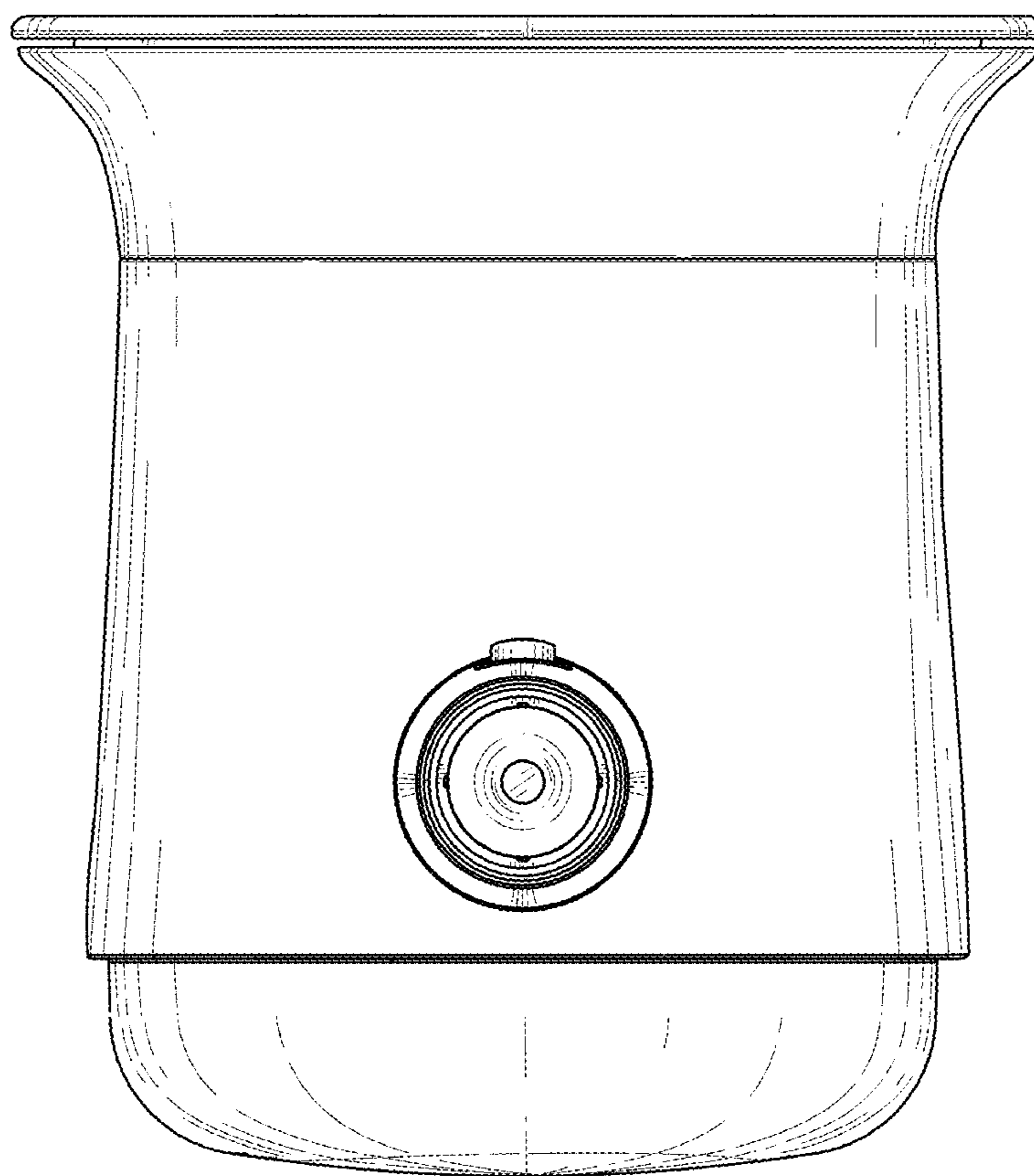


FIG. 7