



US00D922701S

(12) **United States Design Patent**
Kim et al.

(10) **Patent No.:** **US D922,701 S**
(45) **Date of Patent:** **** Jun. 15, 2021**

(54) **SHOE CARE MACHINE**

8,424,141 B2 * 4/2013 Yoo D06F 58/203
8/149.3
8,484,868 B2 * 7/2013 Kim D06F 58/12
38/14
8,505,340 B2 * 8/2013 Kim D06F 58/10
68/5 C

(71) Applicant: **Samsung Electronics Co., Ltd.**,
Suwon-si (KR)

(72) Inventors: **Myunggyu Kim**, Suwon-si (KR);
Sanghoon Yoon, Suwon-si (KR);
Kangkyung Lee, Suwon-si (KR)

(Continued)

FOREIGN PATENT DOCUMENTS

(73) Assignee: **Samsung Electronics Co., Ltd.**,
Suwon-si (KR)

CN 2015300093232 7/2015
CN 201530540892 8/2016

(Continued)

(**) Term: **15 Years**

OTHER PUBLICATIONS

(21) Appl. No.: **29/738,232**

Li, Daniela. "Trockenreinigung für Zuhause: Samsung stellt neuen Air Dresser vor" [2018] www.turn-on.de Aug. 24, 2018 < https://www.turn-on.de/smart-living/news/trockenreinigung-fuer-zuhause-samsung-stellt-neuen-air-dresser-vor-411313>.

(22) Filed: **Jun. 16, 2020**

(Continued)

(30) **Foreign Application Priority Data**

Dec. 23, 2019 (KR) 30-2019-0062416

(51) **LOC (13) Cl.** **15-05**

(52) **U.S. Cl.**
USPC **D32/14.1**

(58) **Field of Classification Search**
USPC D32/1-3, 5-6, 10, 14.1, 25
CPC D06F 58/20; D06F 73/02; D06F 58/10;
D06F 58/12; D06F 58/203
See application file for complete search history.

Primary Examiner — Michelle E. Wilson
(74) *Attorney, Agent, or Firm* — NSIP Law

(57) **CLAIM**

We claim the ornamental design for a shoe care machine, as shown and described.

DESCRIPTION

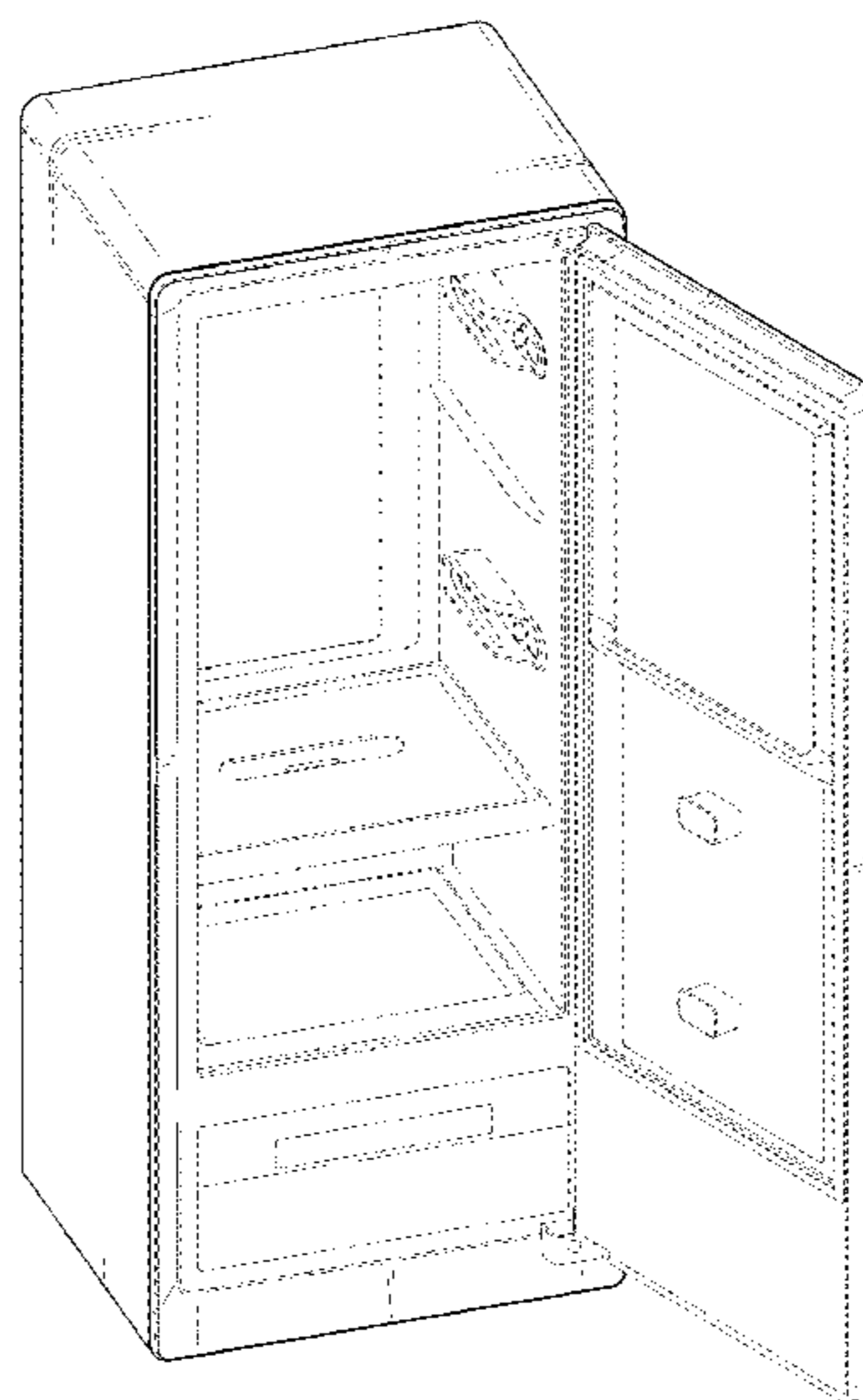
FIG. 1 is a front perspective view of a shoe care machine showing our new design;
FIG. 2 is a front view thereof;
FIG. 3 is a rear view thereof;
FIG. 4 is a left-side view thereof;
FIG. 5 is a right-side view thereof;
FIG. 6 is a top view thereof;
FIG. 7 is a bottom view thereof; and,
FIG. 8 is a front perspective view of the shoe care machine shown in an open position.
The broken lines in the figures depict portions of the shoe care machine which form no part of the claimed design.

(56) **References Cited**

U.S. PATENT DOCUMENTS

D197,085 S * 12/1963 Bequette D32/8
D532,563 S * 11/2006 Kim D32/6
D640,430 S * 6/2011 Jee D32/6
D643,165 S * 8/2011 Song D32/8
8,037,626 B2 * 10/2011 Moon D06F 58/10
38/14
D663,495 S * 7/2012 Song D32/8
8,215,133 B2 * 7/2012 Kim D06F 58/203
68/5 C

1 Claim, 6 Drawing Sheets



(56)

References Cited

FOREIGN PATENT DOCUMENTS

U.S. PATENT DOCUMENTS

D732,769 S * 6/2015 Chung D32/25
 D732,770 S * 6/2015 Choi D32/25
 D732,771 S * 6/2015 Chung D32/25
 D732,772 S * 6/2015 Chung D32/25
 D732,773 S * 6/2015 Chung D32/25
 D732,774 S * 6/2015 Chung D32/25
 D732,775 S * 6/2015 Chung D32/25
 D743,127 S * 11/2015 Chung D32/25
 D743,128 S * 11/2015 Chung D32/25
 D743,129 S * 11/2015 Chung D32/25
 D743,130 S * 11/2015 Choi D32/25
 D743,652 S * 11/2015 Chung D32/25
 D743,653 S * 11/2015 Chung D32/25
 D743,654 S * 11/2015 Chung D32/25
 D824,124 S * 7/2018 Lee D32/6
 D827,236 S * 8/2018 Chung D32/25
 D828,656 S * 9/2018 Chung D32/6
 D836,271 S * 12/2018 Chung D32/6
 D839,515 S * 1/2019 Chung D32/25
 D897,058 S * 9/2020 Kim D32/6
 2001/0037590 A1 * 11/2001 MacGregor D06F 73/02
 38/3
 2008/0136295 A1 * 6/2008 Aizpuru Borda D06F 58/10
 312/31
 2010/0058813 A1 * 3/2010 Moon D06F 73/02
 68/6
 2012/0240425 A1 * 9/2012 Park D06F 58/20
 34/202

CN 2018306082682 3/2019
 CN 2018307083061 7/2019
 KR 30-2008-0039990 3/2009
 KR 30-2010-0037449 2/2012
 KR 30-2013-0046947 6/2014
 KR 30-2013-0046948 6/2014
 KR 30-2013-0046968 6/2014
 KR 30-2017-0053044 6/2018
 KR 30-2018-0038077 3/2019

OTHER PUBLICATIONS

Ong, Thuy. "LG's steam cleaning closet is now family-sized"
 [2017] www.theverge.com/ Dec. 19, 2017 <<https://www.theverge.com/circuitbreaker/2017/12/19/16794670/lg-styler-steam-cleaning-smart-cupboard-new-size>>.
 "MS-200KL (W)" [2020] www.klenz.kr Apr. 20, 2020 <http://klenz.kr/product?tpf=product/view&category_code=1010&code=34>.

* cited by examiner

FIG. 1

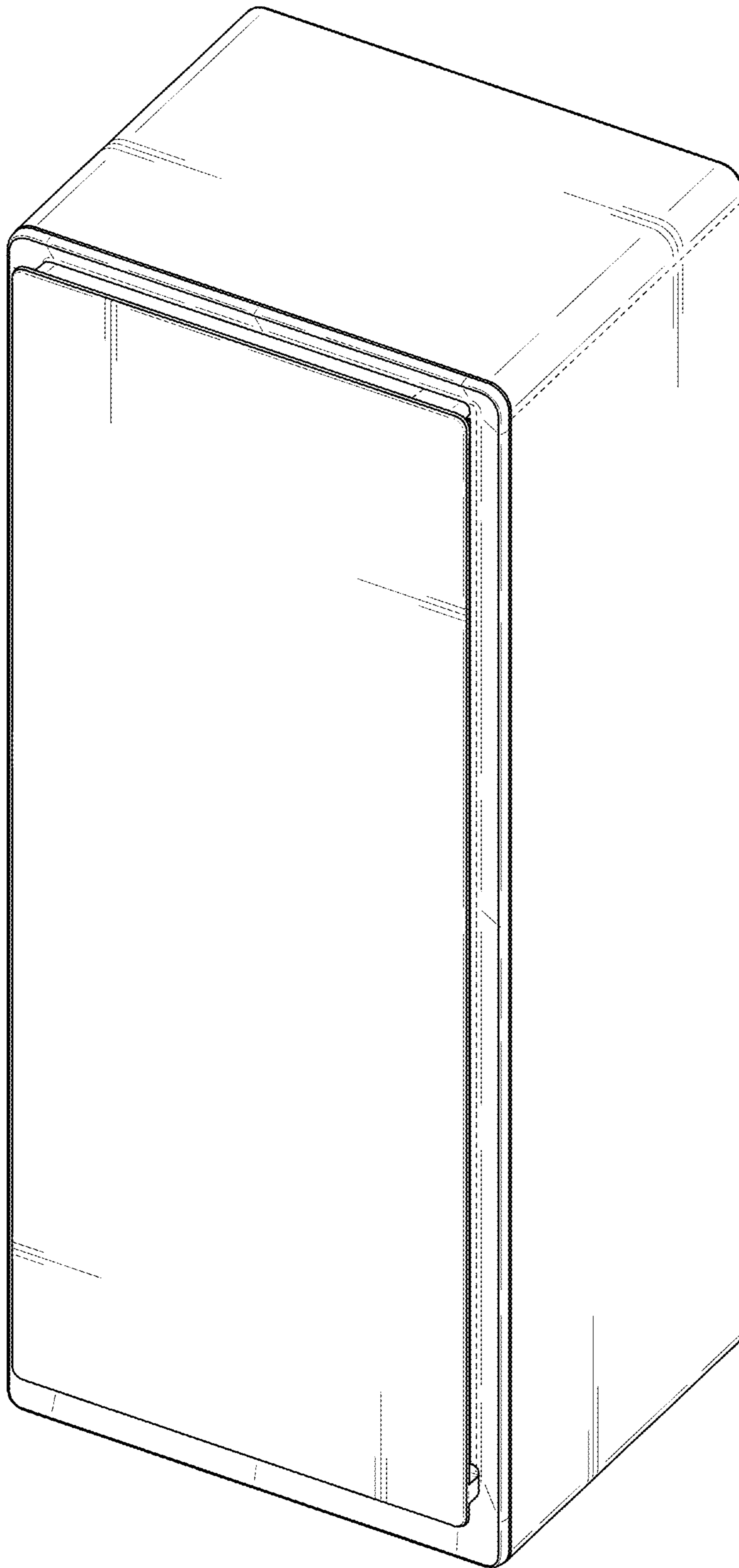


FIG. 2

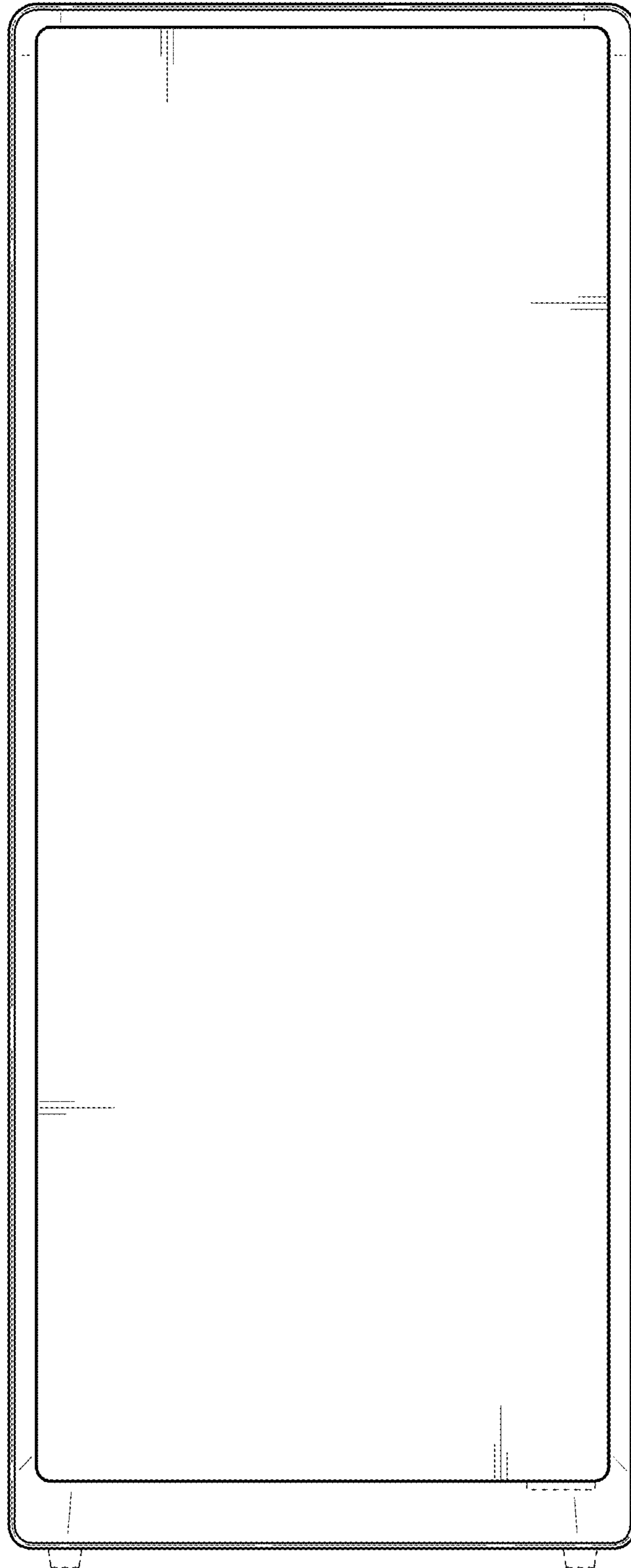


FIG. 3

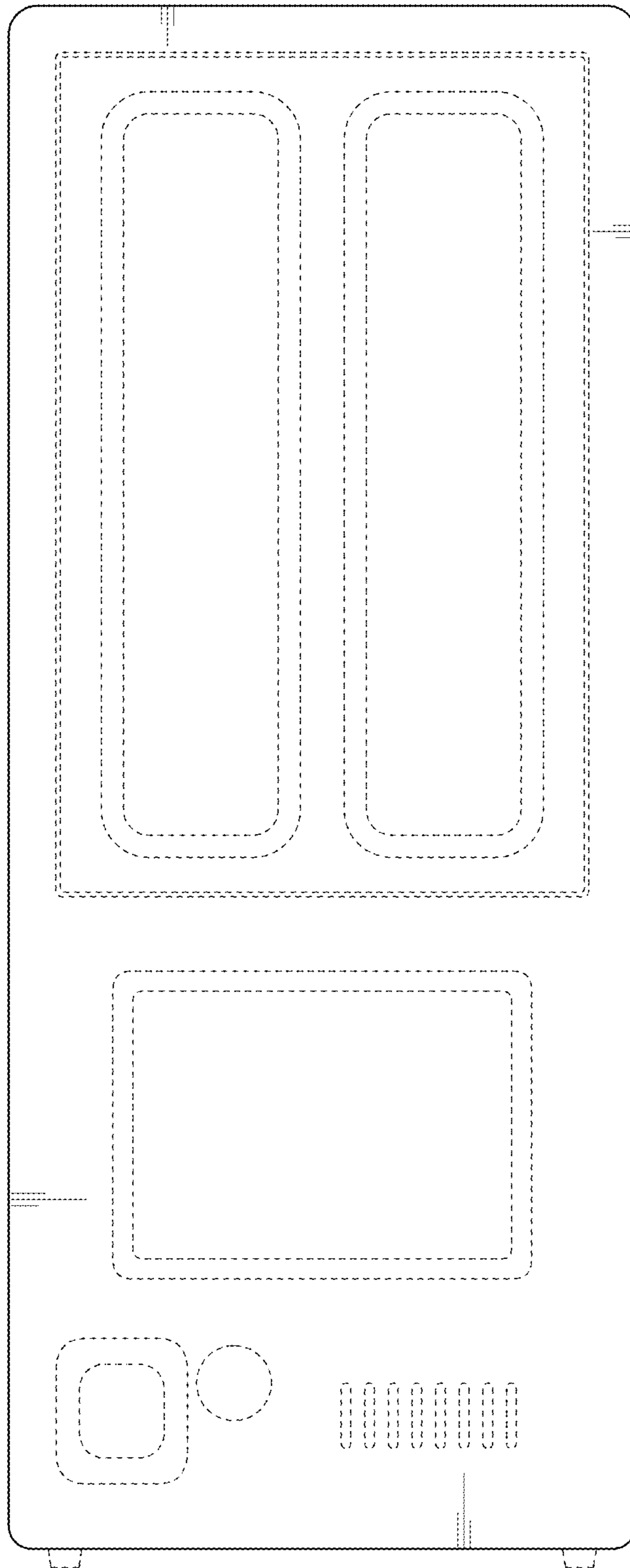


FIG. 4

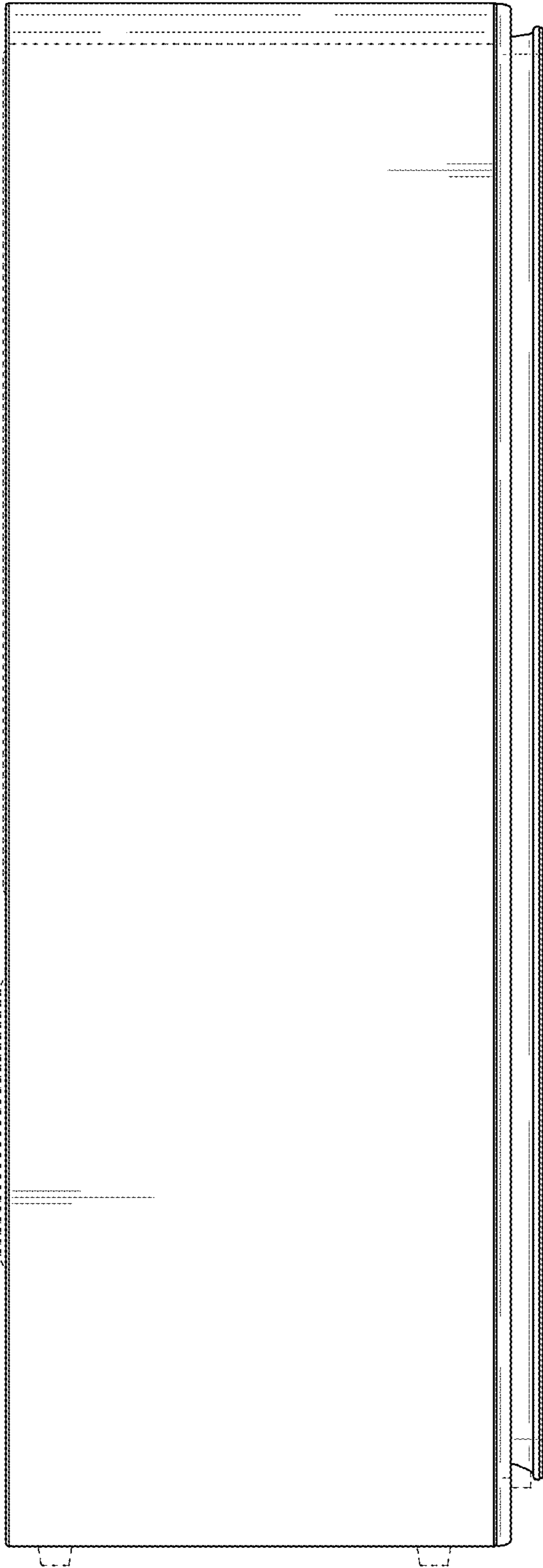


FIG. 5

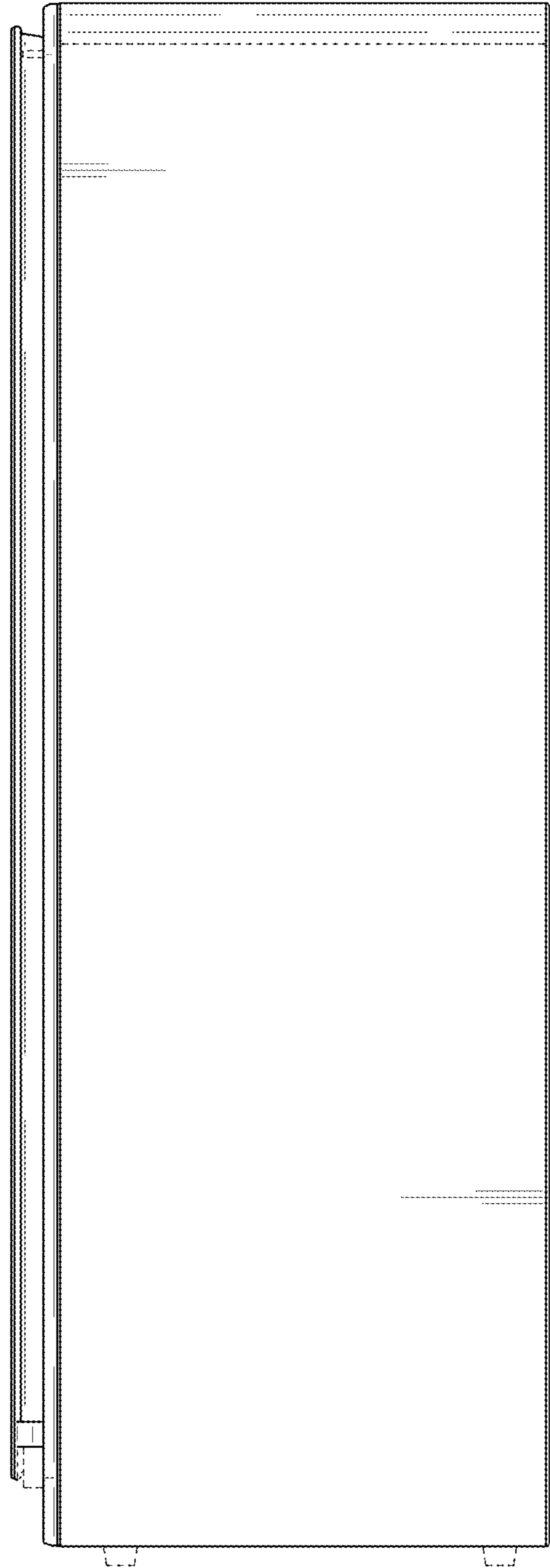


FIG. 6

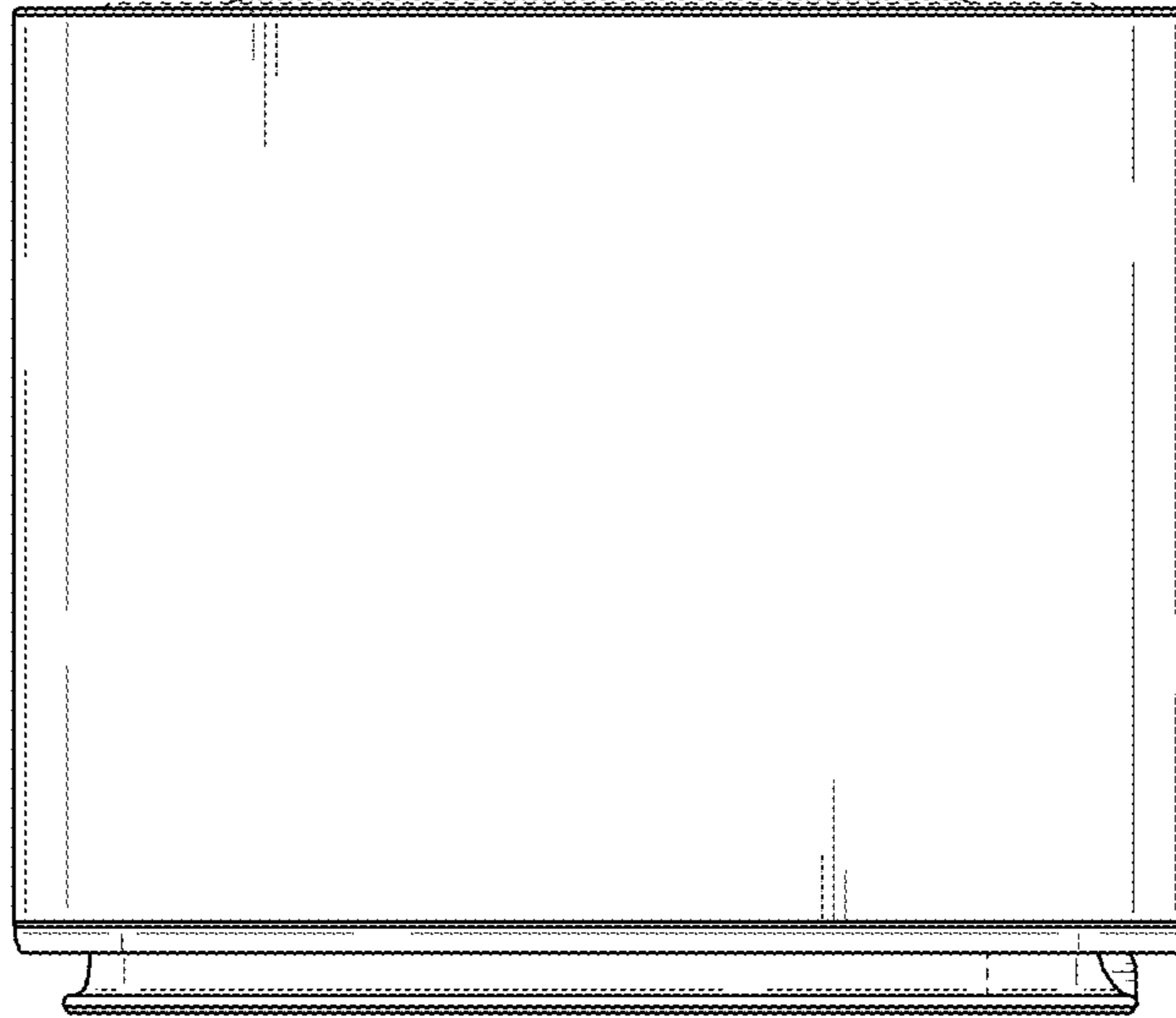


FIG. 7

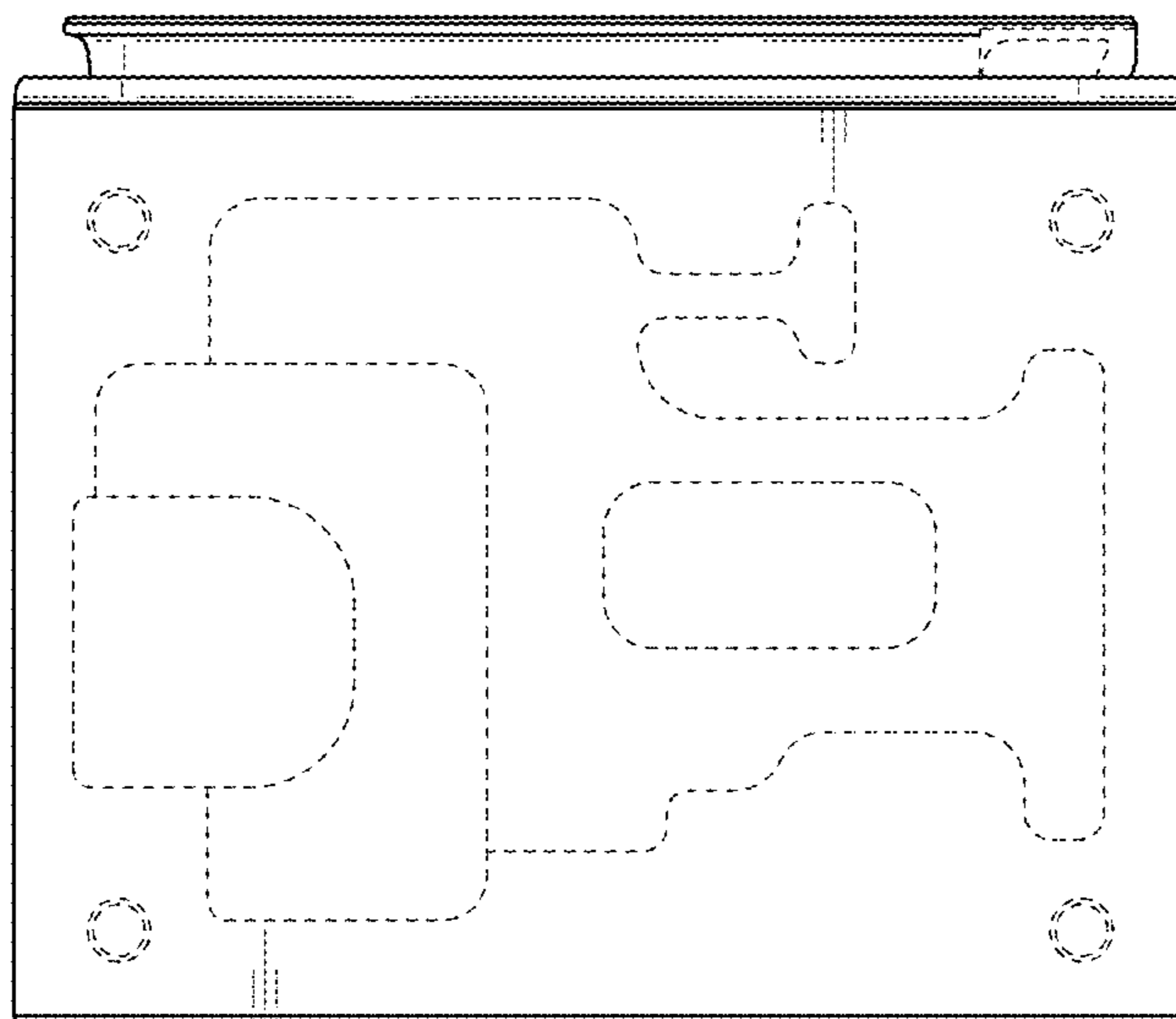


FIG. 8

