



US00D922700S

(12) **United States Design Patent**
Kim et al.

(10) **Patent No.:** **US D922,700 S**

(45) **Date of Patent:** **** Jun. 15, 2021**

(54) **DRYER**

(71) Applicant: **Samsung Electronics Co., Ltd.**,
Suwon-si (KR)

(72) Inventors: **Youngjin Kim**, Suwon-si (KR); **Dongju Shin**, Suwon-si (KR); **Junghoon Hwang**, Suwon-si (KR); **Jungeun Park**, Suwon-si (KR); **Yunho Yang**, Suwon-si (KR); **Jaewon Choi**, Suwon-si (KR); **Hyunwoo Yoon**, Suwon-si (KR)

(73) Assignee: **Samsung Electronics Co., Ltd.**,
Suwon-si (KR)

(**) Term: **15 Years**

(21) Appl. No.: **29/696,069**

(22) Filed: **Jun. 25, 2019**

(30) **Foreign Application Priority Data**

Dec. 28, 2018 (KR) 30-2018-0062463

(51) **LOC (13) Cl.** **15-05**

(52) **U.S. Cl.**
USPC **D32/8**

(58) **Field of Classification Search**
USPC D32/1-2, 5-6, 8, 10, 15-17, 35-36, 53;
D7/354
CPC .. A61L 2/10; A61C 19/00; A47J 27/00; F26B
11/02; E05B 65/0007; A47L 15/0084
See application file for complete search history.

(56) **References Cited**

U.S. PATENT DOCUMENTS

D519,692 S * 4/2006 Jun D32/6
D532,941 S * 11/2006 Carey D32/6
D538,488 S * 3/2007 Carey D32/6
D539,995 S * 4/2007 Im D32/6

D541,491 S * 4/2007 Jun D32/6
D632,033 S * 2/2011 Song D32/6
D654,640 S * 2/2012 Song D32/6
D694,965 S * 12/2013 Lee D32/6
D701,656 S * 3/2014 Choi D32/6
D729,994 S * 5/2015 Kang D32/6

(Continued)

FOREIGN PATENT DOCUMENTS

CN 201830040936.6 6/2018
KR 30-2011-0008913 6/2012

(Continued)

OTHER PUBLICATIONS

Samsung 7.4 Cu. Ft. Electric Dryer, Exchange website reviews 2020, <https://www.shopmyexchange.com/samsung-7-4-cu-ft-electric-dryer/8460427>, site visited Mar. 24, 2021.*

(Continued)

Primary Examiner — John R Yeh

(74) *Attorney, Agent, or Firm* — NSIP Law

(57) **CLAIM**

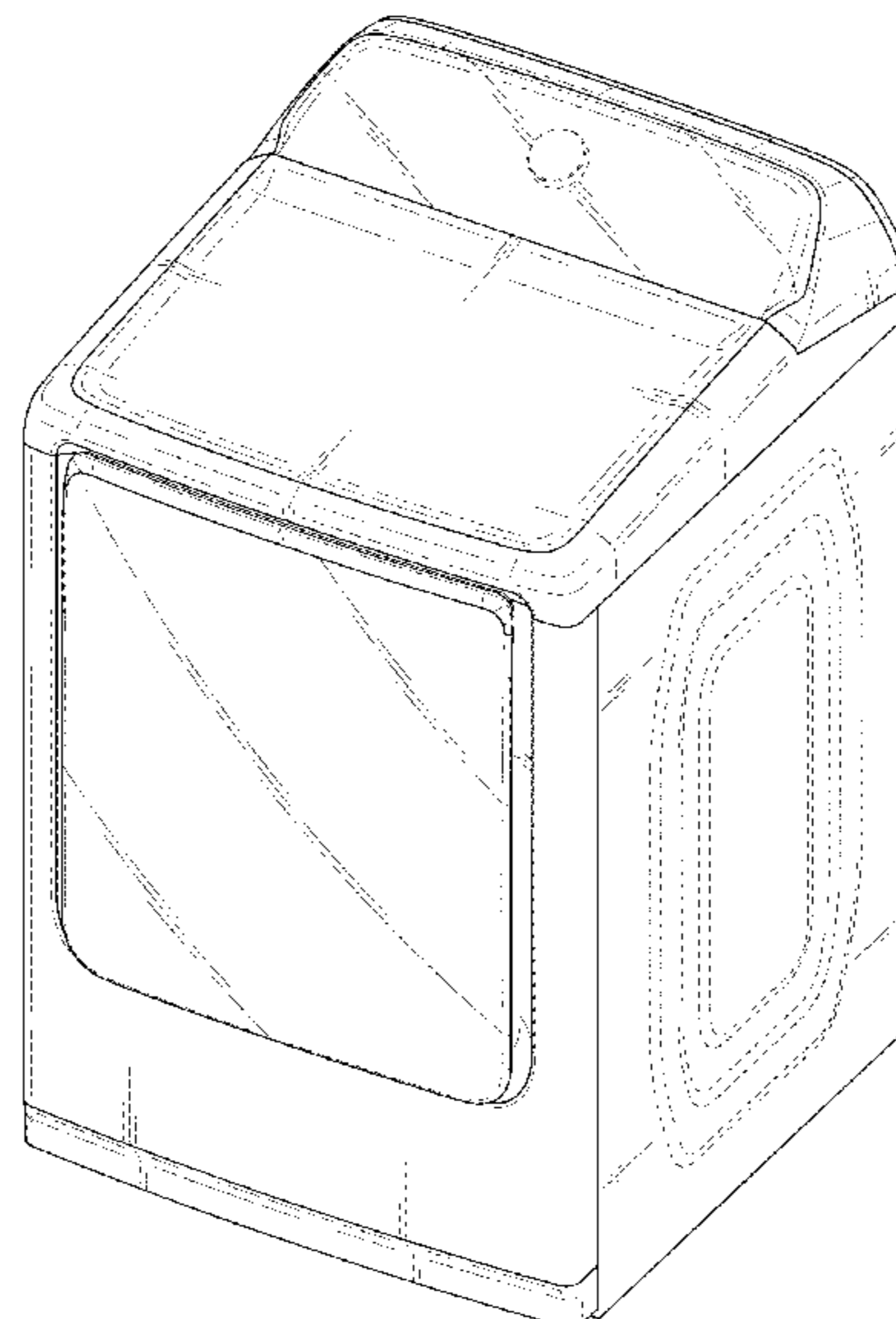
We claim the ornamental design for a dryer, as shown and described.

DESCRIPTION

FIG. 1 is a front perspective view of a dryer showing our new design;
FIG. 2 is a front view thereof;
FIG. 3 is a rear view thereof;
FIG. 4 is a left-side view thereof;
FIG. 5 is a right-side view thereof;
FIG. 6 is a top view thereof; and,
FIG. 7 is a bottom view thereof.

The broken lines in the figures depicting portions of the dryer form no part of the claimed design.

1 Claim, 7 Drawing Sheets



(56)

References Cited

U.S. PATENT DOCUMENTS

D729,998 S * 5/2015 Jeon D32/6
 D759,325 S * 6/2016 Jeon, II D32/6
 D762,021 S * 7/2016 Qin D32/6
 D762,025 S * 7/2016 Joo D32/6
 D772,505 S 11/2016 Bixby et al.
 D772,506 S 11/2016 Bixby et al.
 D783,212 S * 4/2017 Jeon D32/6
 D783,214 S * 4/2017 Jeon D32/6
 D793,012 S * 7/2017 Bixby D32/6
 D812,323 S 3/2018 Bixby et al.
 D818,219 S 5/2018 Bixby et al.
 D824,607 S * 7/2018 Bixby D32/6
 D824,608 S * 7/2018 Bixby D32/6
 D833,091 S 11/2018 Ayers et al.
 D887,655 S * 6/2020 Choi D32/6
 D901,107 S * 11/2020 Kim D32/6
 2006/0288608 A1 * 12/2006 Carow D06F 58/04
 34/604
 2012/0119630 A1 * 5/2012 Najera Bernal E05D 15/00
 312/223.1

FOREIGN PATENT DOCUMENTS

KR 30-2012-0056777 12/2013
 KR 30-2014-0000531 10/2014
 KR 3031025445.0000 * 9/2019

OTHER PUBLICATIONS

Maytag. "Maytag 8.8 Cu. Ft. Gas Dryer with Steam Metallic Slate"
 [2019] www.brayandscarff.com Jun. 25, 2019 <https://www.
 brayandscarff.com/laundry/dryers/gas-match-top-load-dryers/
 MGDB855DC>.
 Puisis, Erica. "The 9 Best Washer & Dryer Sets of 2019" [2019]
 www.thespruce.com Jun. 6, 2019 <https://www.thespruce.com/best-
 washer-dryer-sets-4109183>.

* cited by examiner

FIG. 1

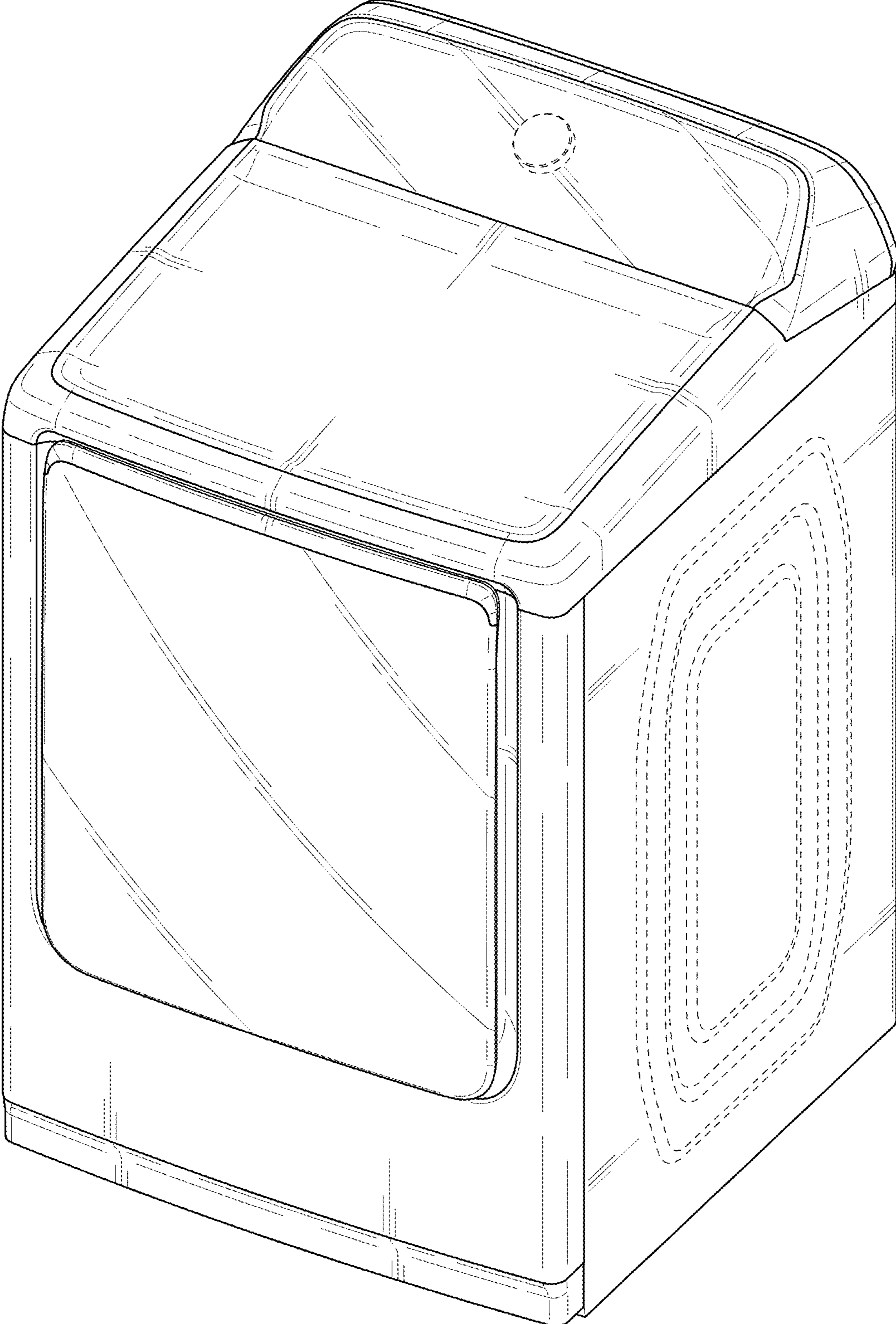


FIG. 2



FIG. 3

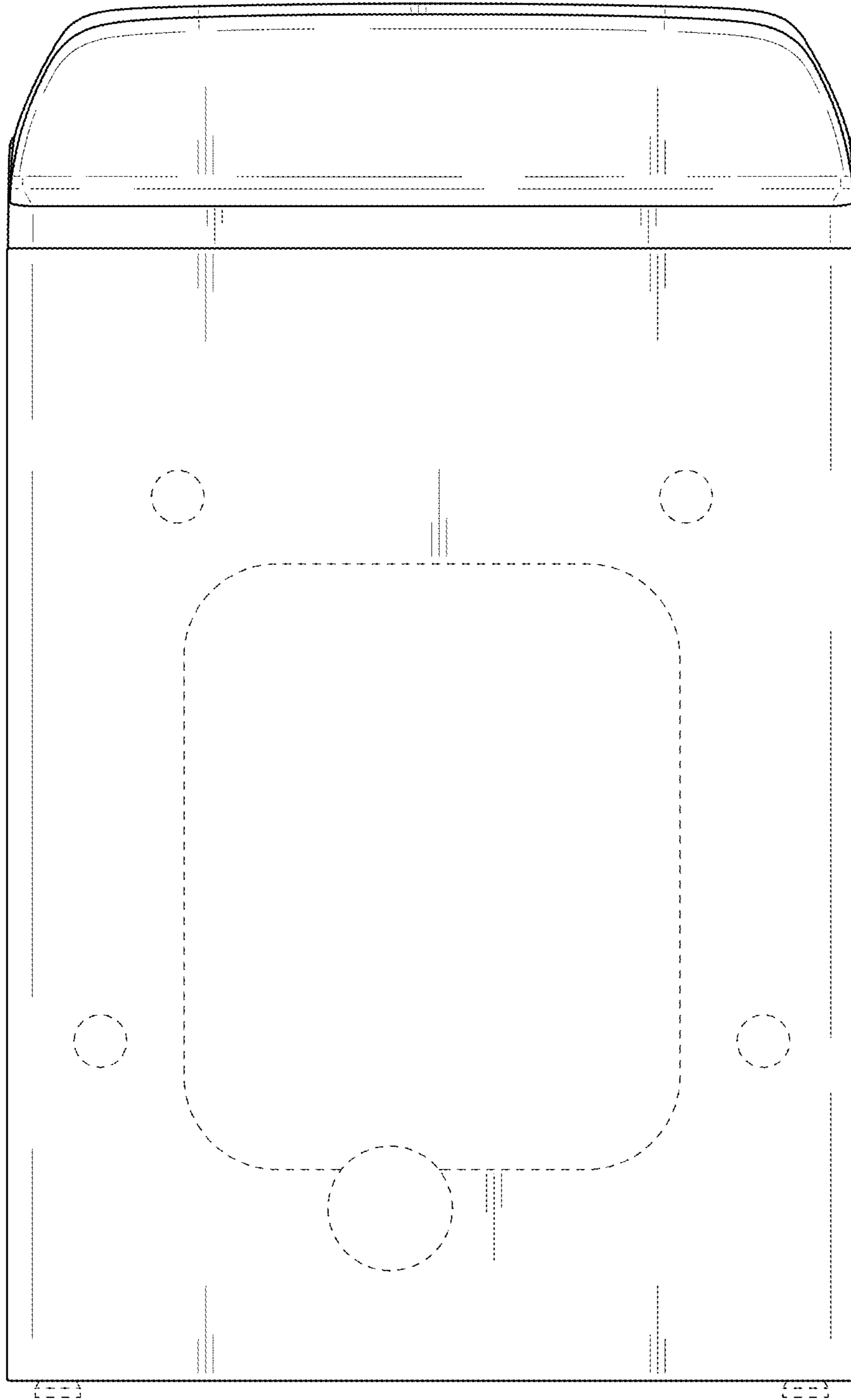


FIG. 4

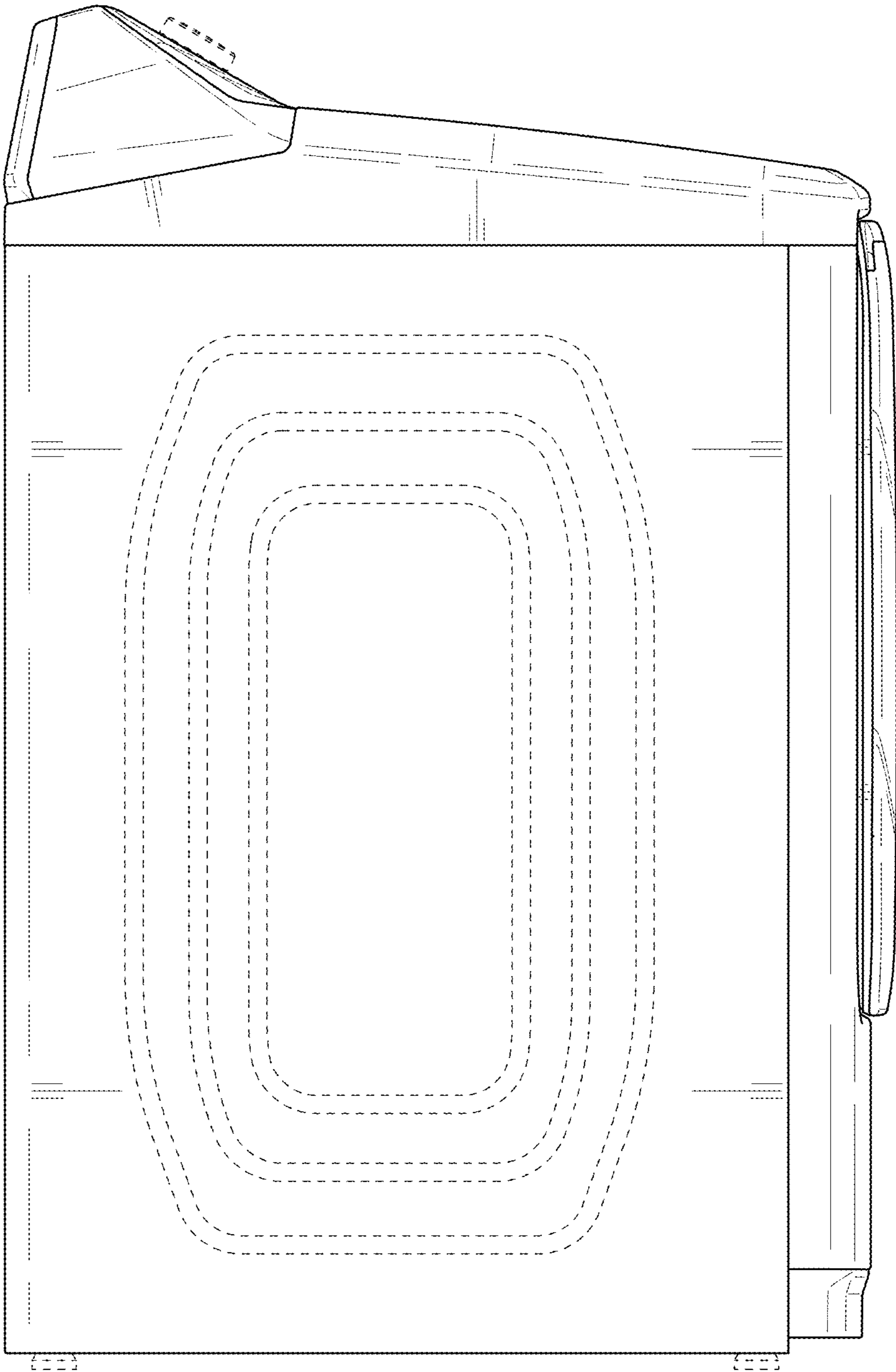


FIG. 5

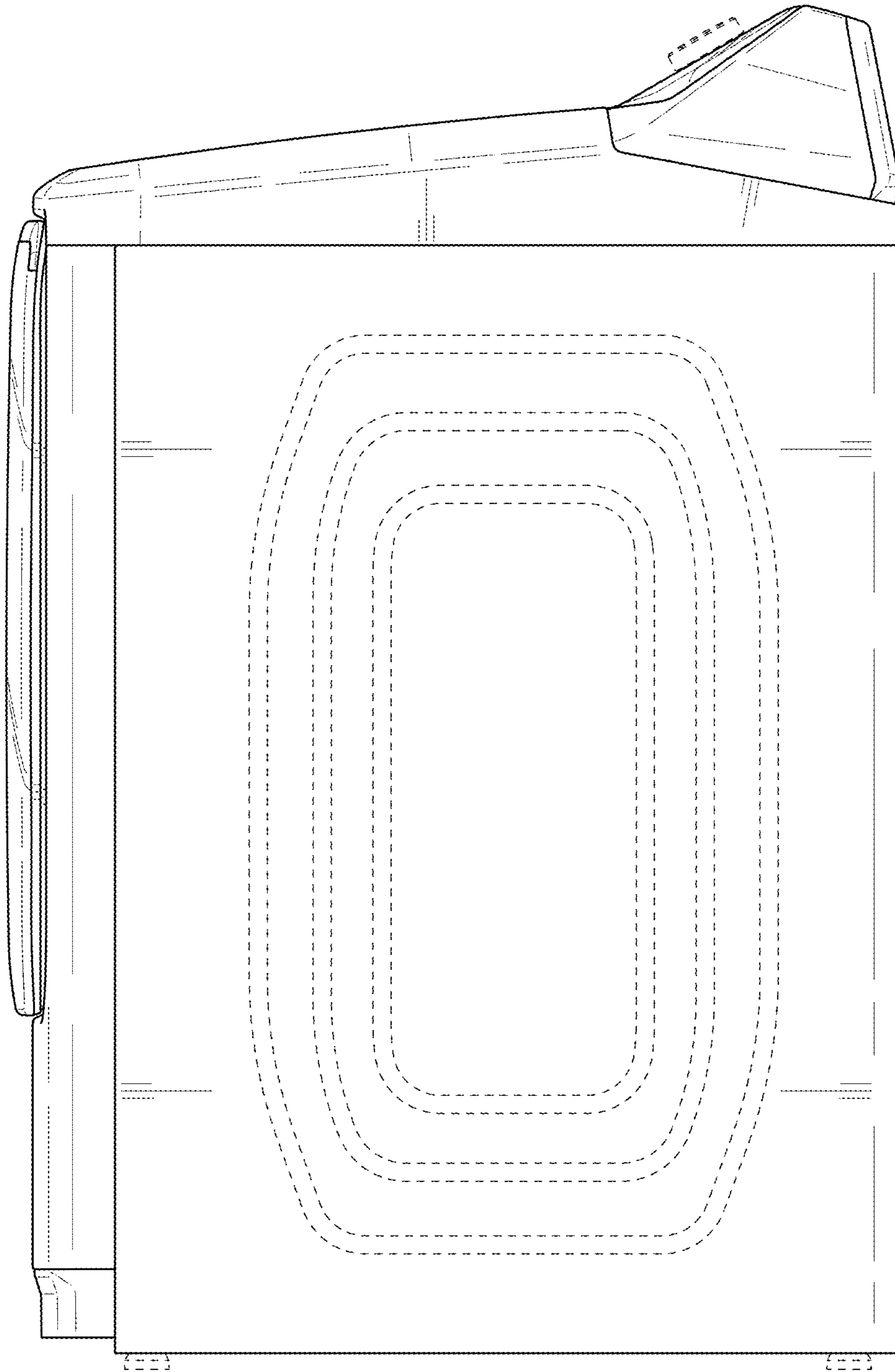


FIG. 6

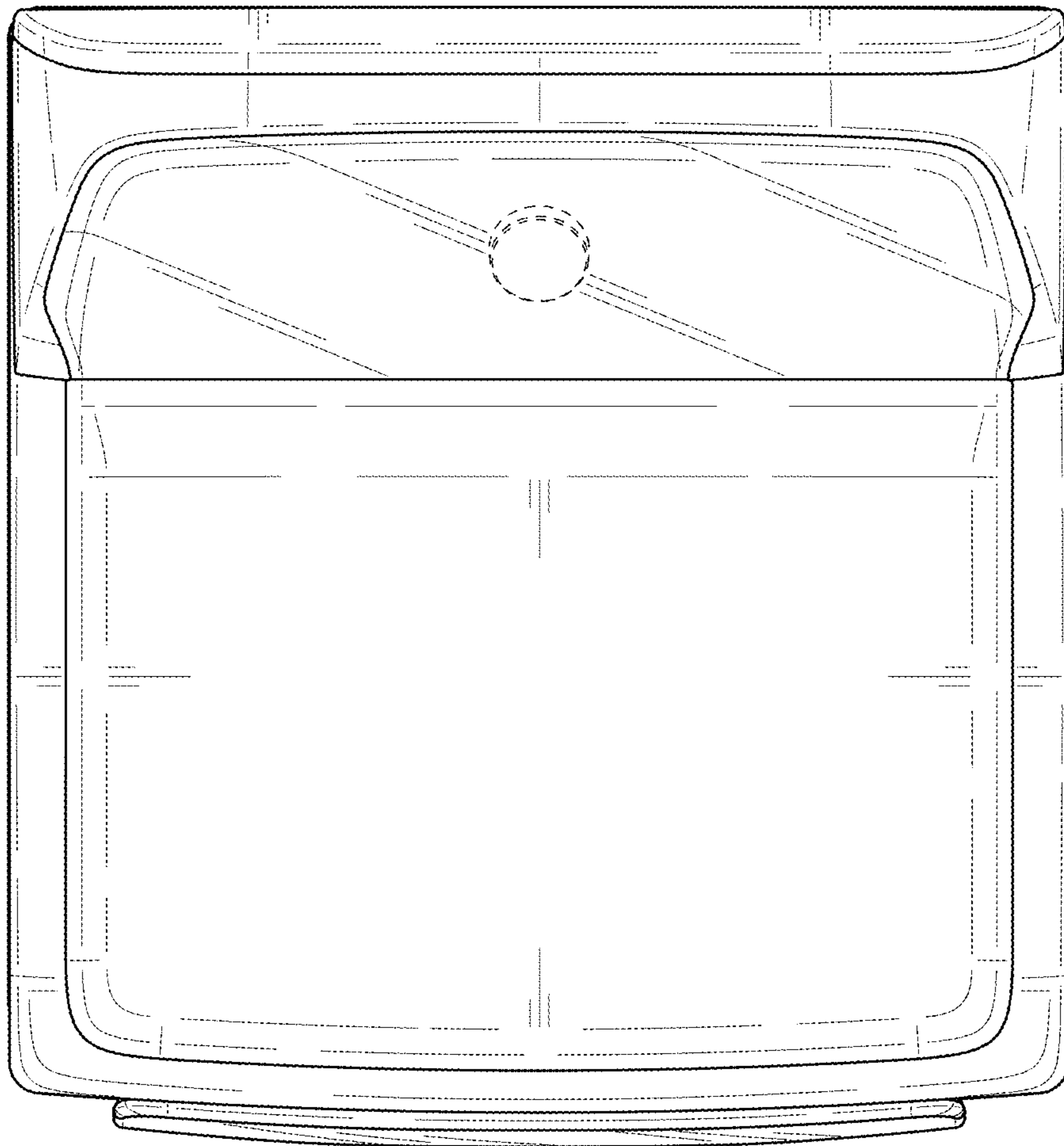


FIG. 7

