



US00D922698S

(12) **United States Design Patent**
Sells

(10) **Patent No.:** **US D922,698 S**

(45) **Date of Patent:** **** Jun. 15, 2021**

(54) **RETRACTABLE DOG LEASH WITH BUILT-IN TIE-OUT STAKE**

(71) Applicant: **Michael Tyler Sells**, Mexico, MO (US)

(72) Inventor: **Michael Tyler Sells**, Mexico, MO (US)

(**) Term: **15 Years**

(21) Appl. No.: **29/728,211**

(22) Filed: **Mar. 17, 2020**

Related U.S. Application Data

(63) Continuation-in-part of application No. 16/810,563, filed on Mar. 5, 2020.

(51) **LOC (13) Cl.** **30-04**

(52) **U.S. Cl.**
USPC **D30/153; D30/154**

(58) **Field of Classification Search**

USPC D30/144, 151, 152, 153, 154, 155, 199;
D21/68, 683, 684, 732, 777, 840;
D3/215, 274, 290; D8/44, 358
CPC A01K 27/004; A01K 1/04; A01K 27/003;
A01K 27/005; A01K 27/008; A01K
23/005

See application file for complete search history.

(56) **References Cited**

U.S. PATENT DOCUMENTS

6,318,302 B1 * 11/2001 Bedient A01K 1/04
119/786
D456,242 S * 4/2002 Stekelenburg D8/358
D573,315 S * 7/2008 Kelley D30/154
D610,752 S * 2/2010 Roediger D30/153
D658,259 S * 4/2012 Zhou D21/840
D824,604 S * 7/2018 Walter D30/153
D864,497 S * 10/2019 Peninger D30/154

D904,697 S * 12/2020 Jammal D30/154
2005/0258203 A1 * 11/2005 Weaver A45F 5/004
224/162
2006/0266300 A1 * 11/2006 Perkitny A01K 27/004
119/713

(Continued)

OTHER PUBLICATIONS

“Flexi: Explore Retractable Dog Leash”. Found online Apr. 8, 2016 at amazon.com. Reference dated Jul. 30, 2012. Retrieved from [http://www.amazon.com/Explore-Retractable-26-Foot-Supports-110-Pound/dp/B0061Y0H1Q/ref=cm_cr_ar_p_d_product_top?.](http://www.amazon.com/Explore-Retractable-26-Foot-Supports-110-Pound/dp/B0061Y0H1Q/ref=cm_cr_ar_p_d_product_top?)*

(Continued)

Primary Examiner — Kendra Leslie Hamilton

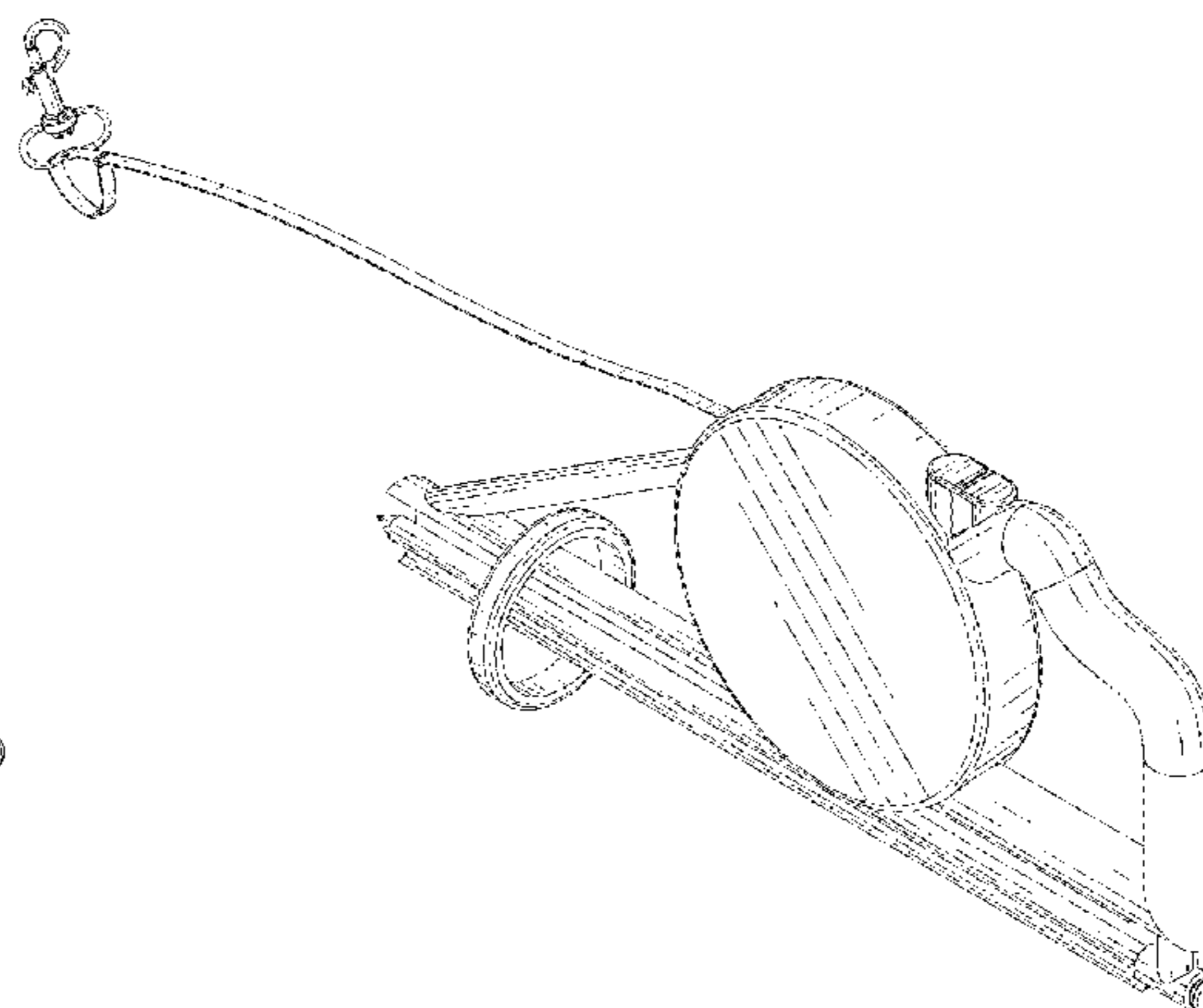
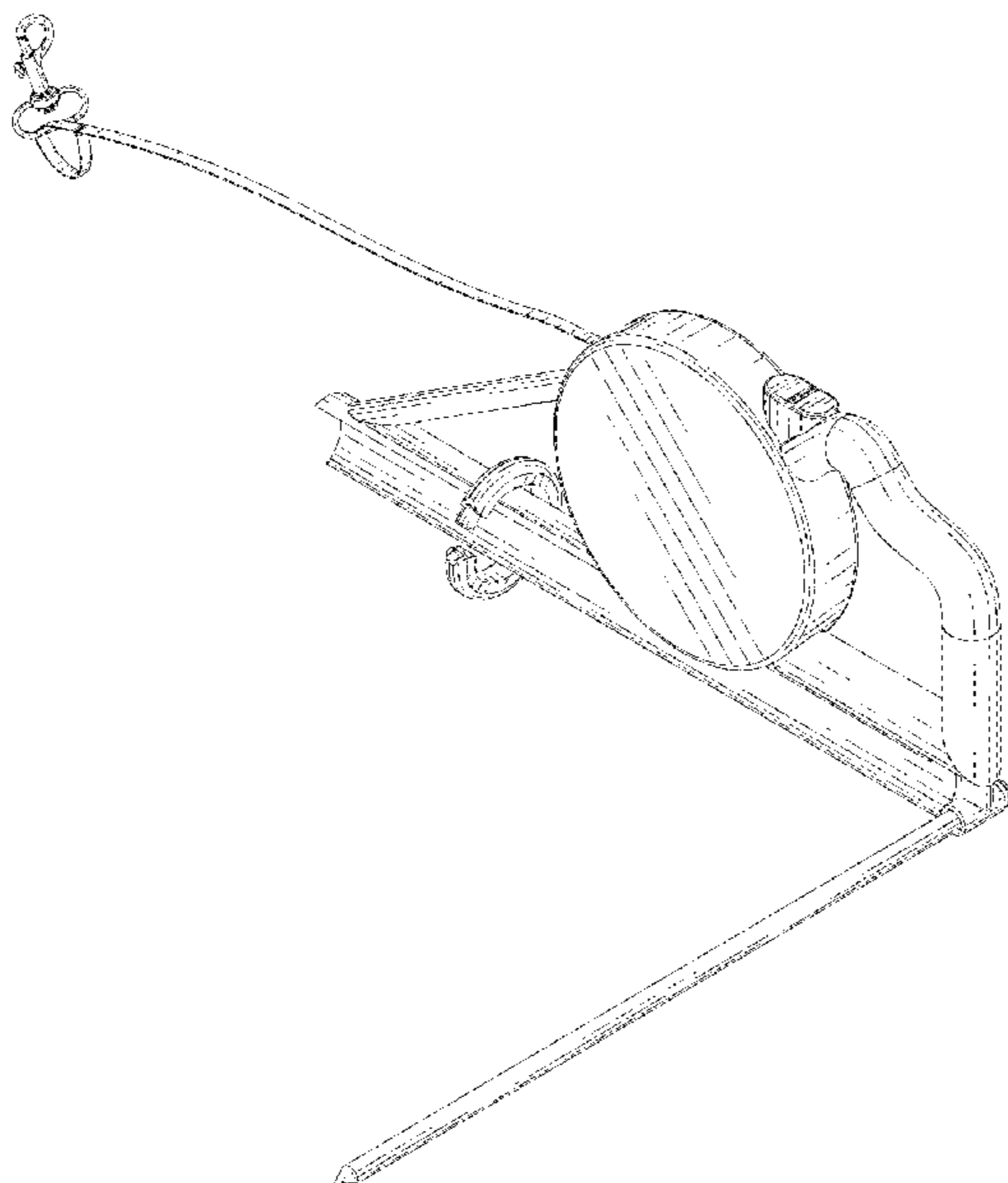
(57) **CLAIM**

The ornamental design for a retractable dog leash with built-in tie-out stake, as shown and described.

DESCRIPTION

FIG. 1 is a top, front, left side perspective view of a retractable dog leash with built-in tie-out stake showing my new design in a first configuration for use, wherein the tie-out stake is deployed;
FIG. 2 is a bottom, rear, right side perspective view thereof;
FIG. 3 is a front elevational view thereof;
FIG. 4 is a rear elevational view thereof;
FIG. 5 is a top plan view thereof;
FIG. 6 is a bottom plan view thereof;
FIG. 7 is a right side elevational view thereof;
FIG. 8 is a left side elevational view thereof;
FIG. 9 is a top, front, left side perspective view of the retractable dog leash with built-in tie-out stake of FIG. 1, shown in a second configuration for use, wherein the tie-out stake is stowed;
FIG. 10 is a bottom, rear, right side perspective view thereof;
and,
FIG. 11 is a front elevational view thereof.

1 Claim, 11 Drawing Sheets



(56)

References Cited

U.S. PATENT DOCUMENTS

2008/0000430 A1* 1/2008 Petersen A01K 27/004
119/786
2015/0164042 A1* 6/2015 Moore A01K 1/04
119/796
2018/0206454 A1* 7/2018 Brown A01K 27/004

OTHER PUBLICATIONS

“Lixit Animal Care: Bracket-Mount Retractable Tie-Out Reel”. Found online Jul. 12, 2019 at amazon.com. Reference dated Mar. 20, 2014. Retrieved from https://www.amazon.com/Lixit-Animal-Care-Bracket-Retractable/dp/B00E1DVD4O/ref=cm_cr_arp_d_product_top?ie=UTF8.*

“Stout Stuff: Stout Stake”. Found online Jul. 12, 2019 at walmart.com. Reference dated Dec. 4, 2011. Retrieved from <https://www.walmart.com/ip/Stout-Stuff-Stout-Stake-1/14711362>.*

“XiaZ: Tie-Out Cable”. Found online Feb. 28, 2019 at amazon.com. Reference dated Jun. 22, 2017. Retrieved from https://www.amazon.com/XiaZ-Chew-Resistant-Training-Restraint-Durable/dp/B075N7NGD5/ref=cm_cr_arp_d_product_top?ie=UTF8.*

* cited by examiner

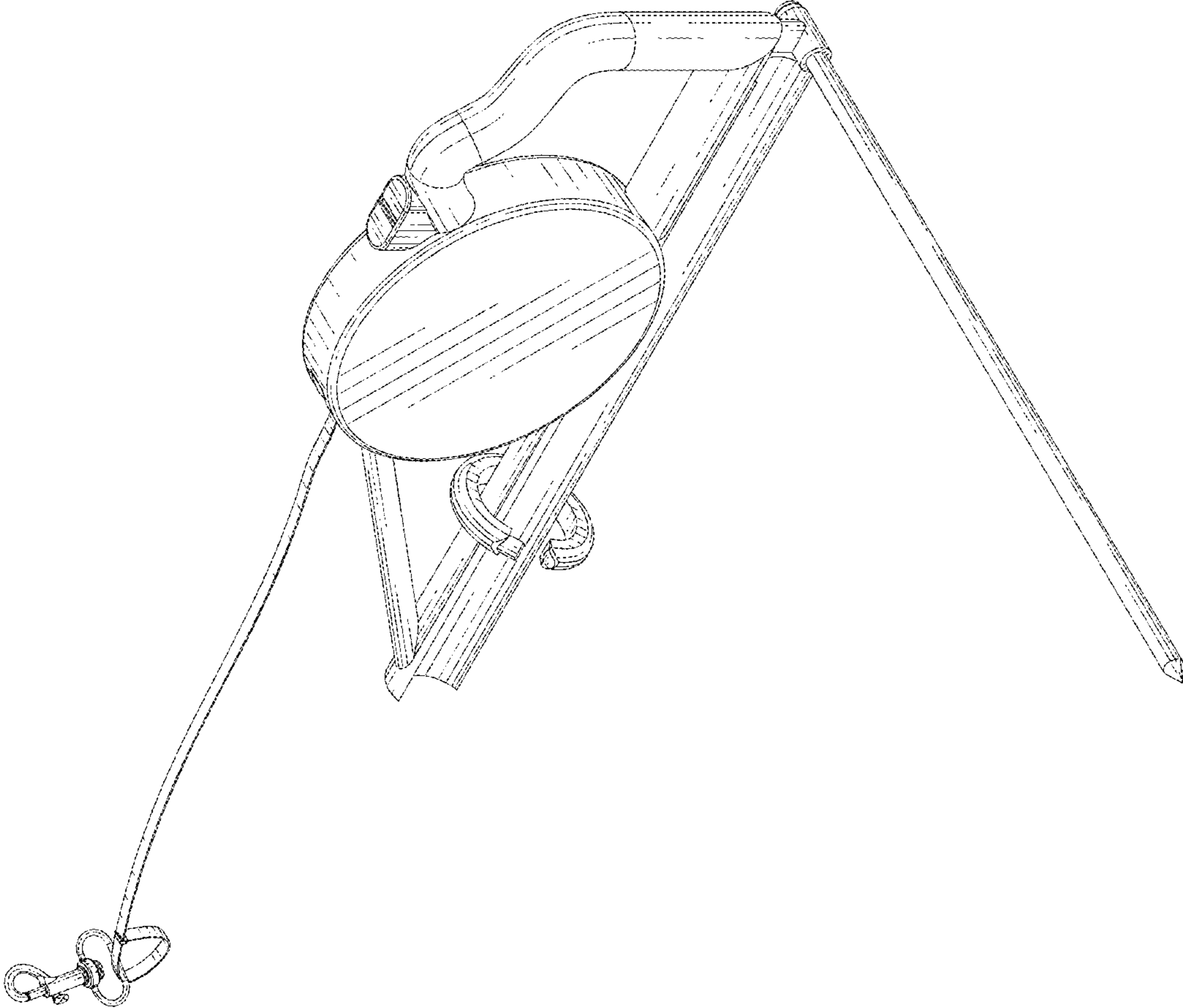


FIG. 1

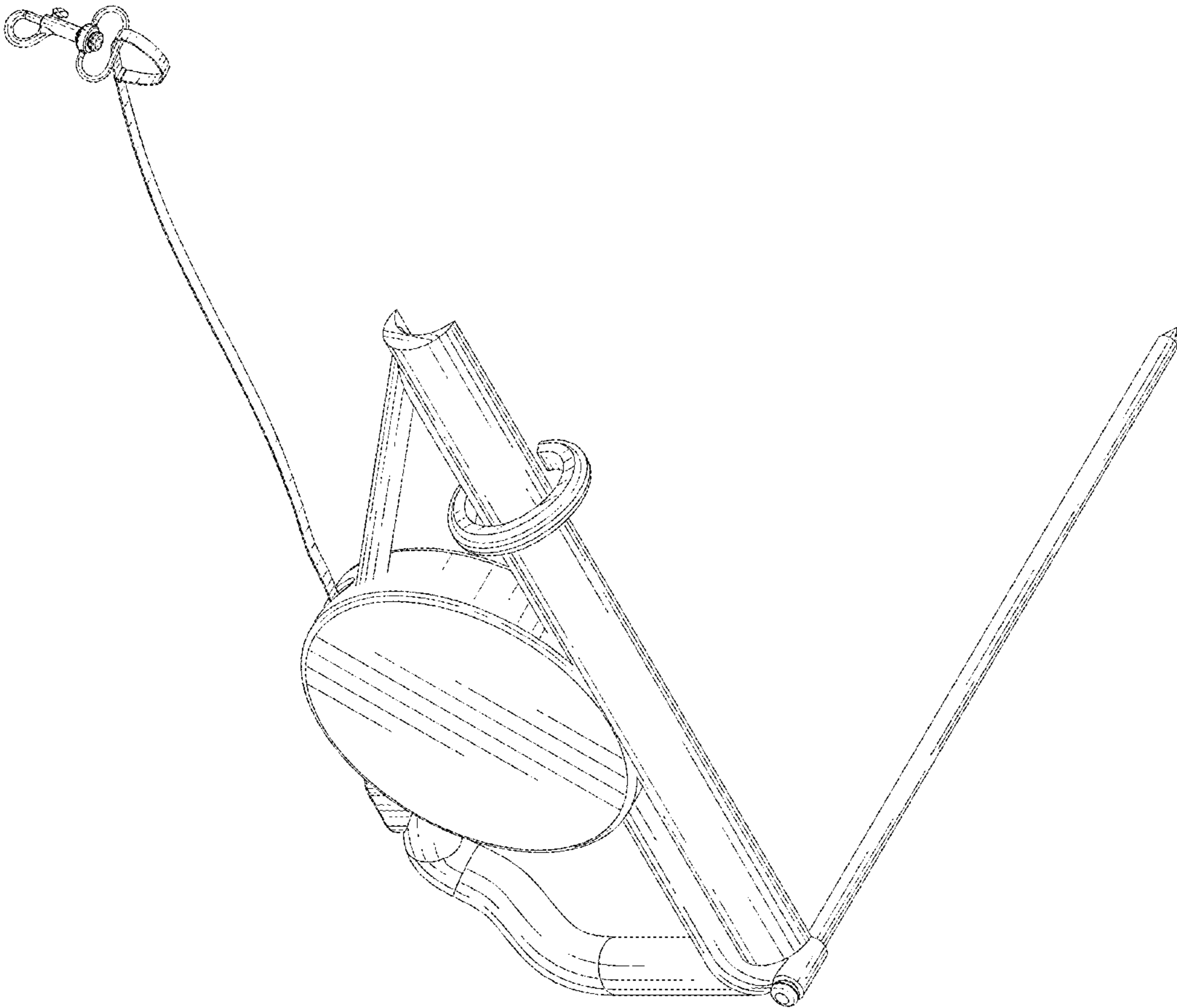


FIG. 2

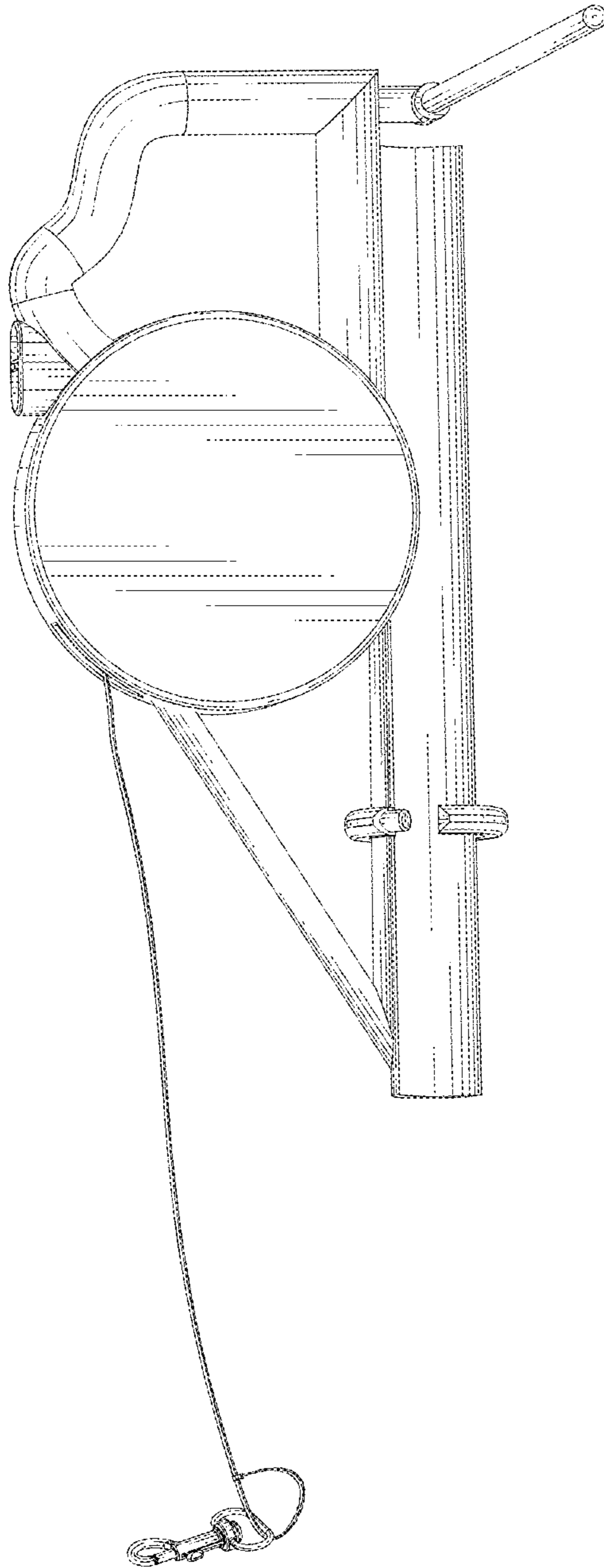


FIG. 3

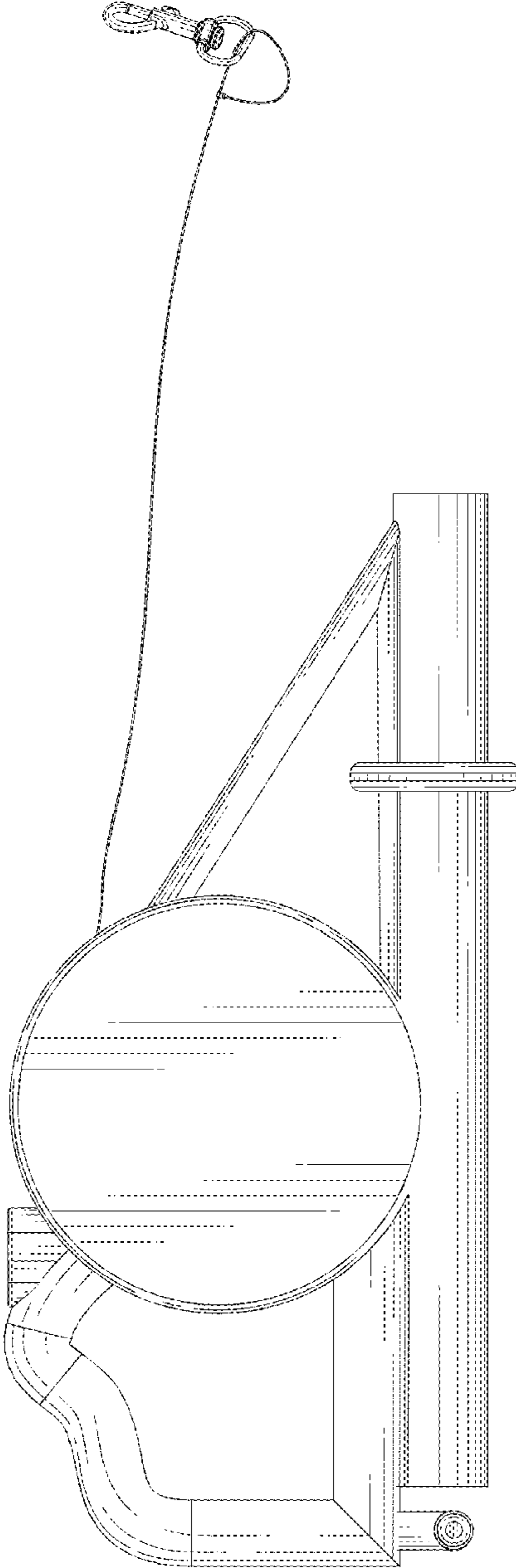


FIG. 4

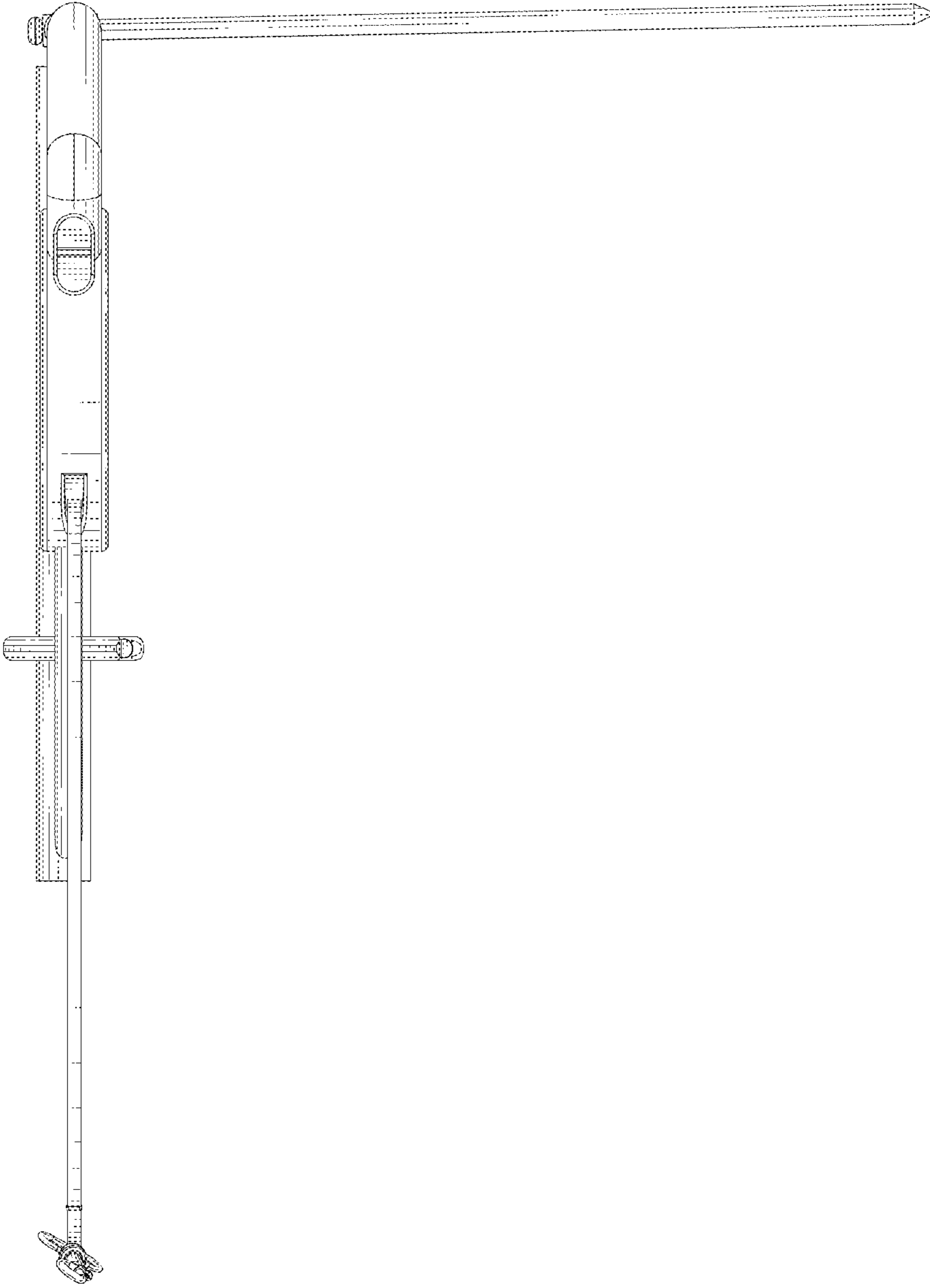


FIG. 5

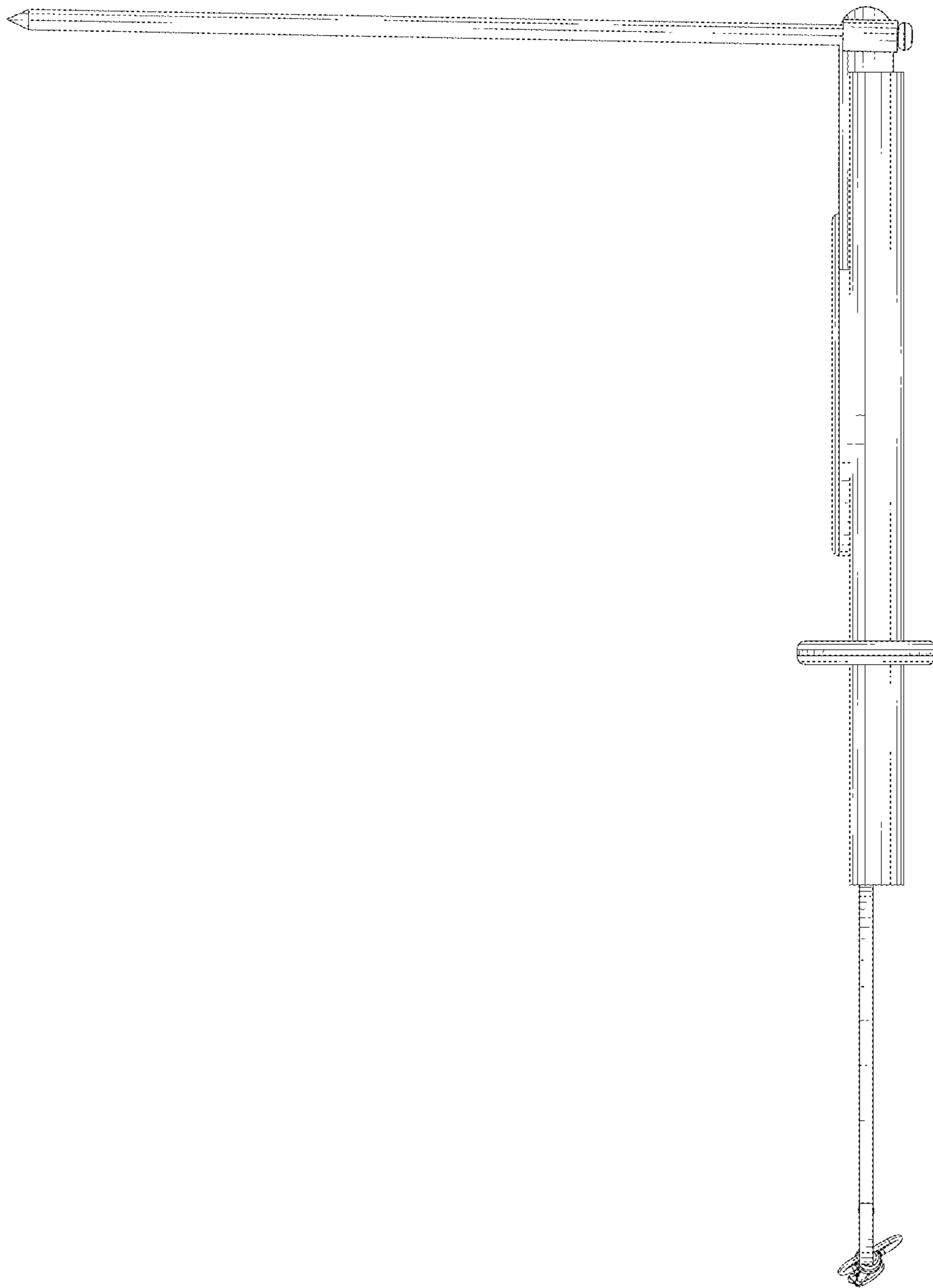


FIG. 6

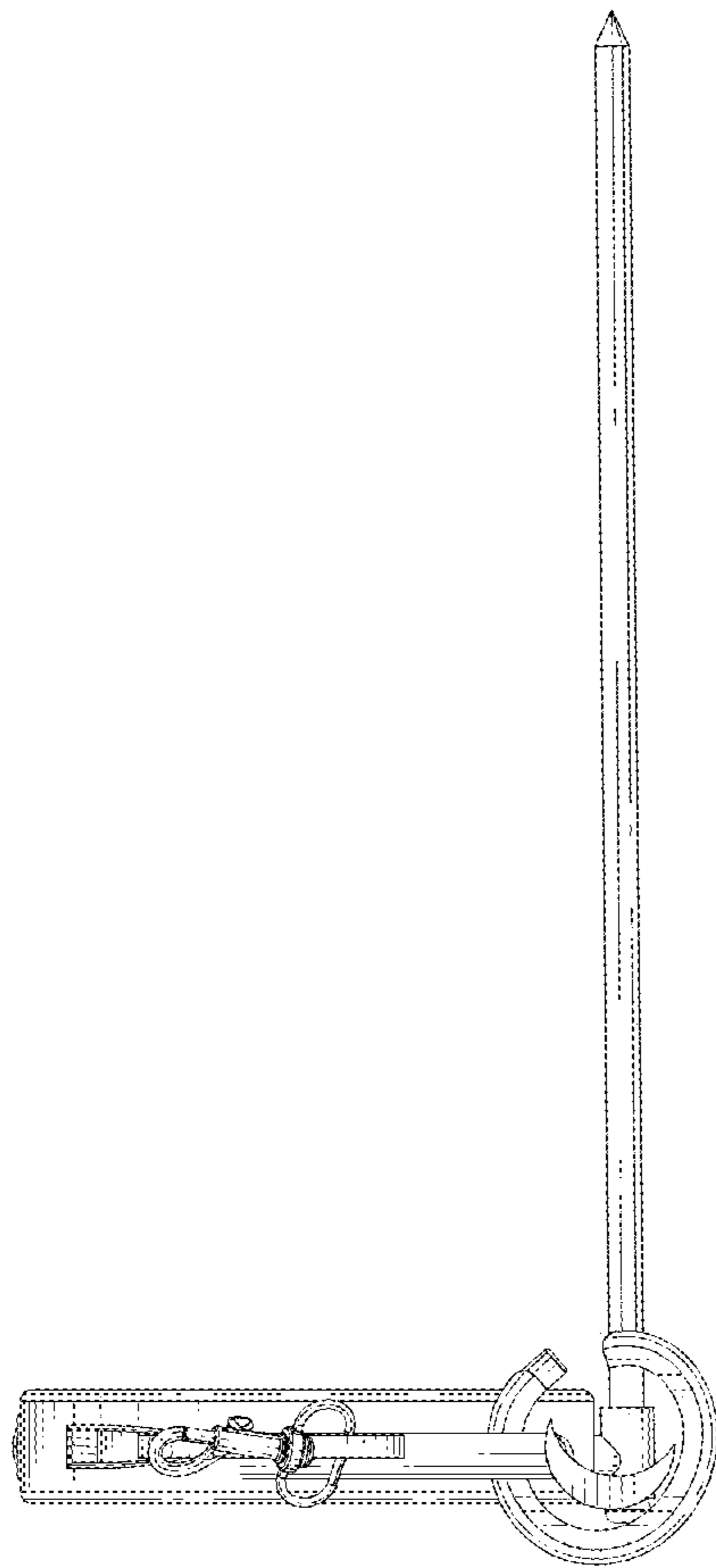


FIG. 7

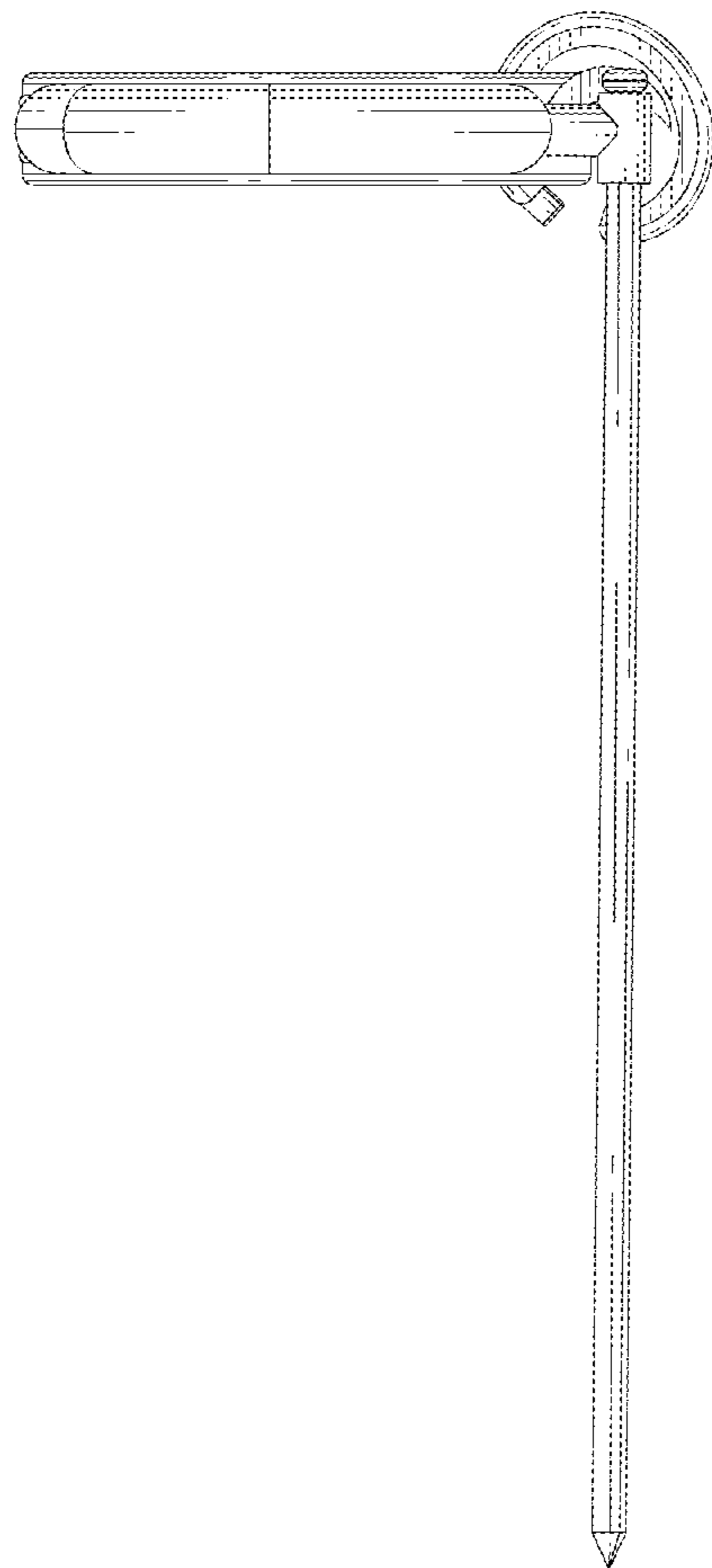


FIG. 8

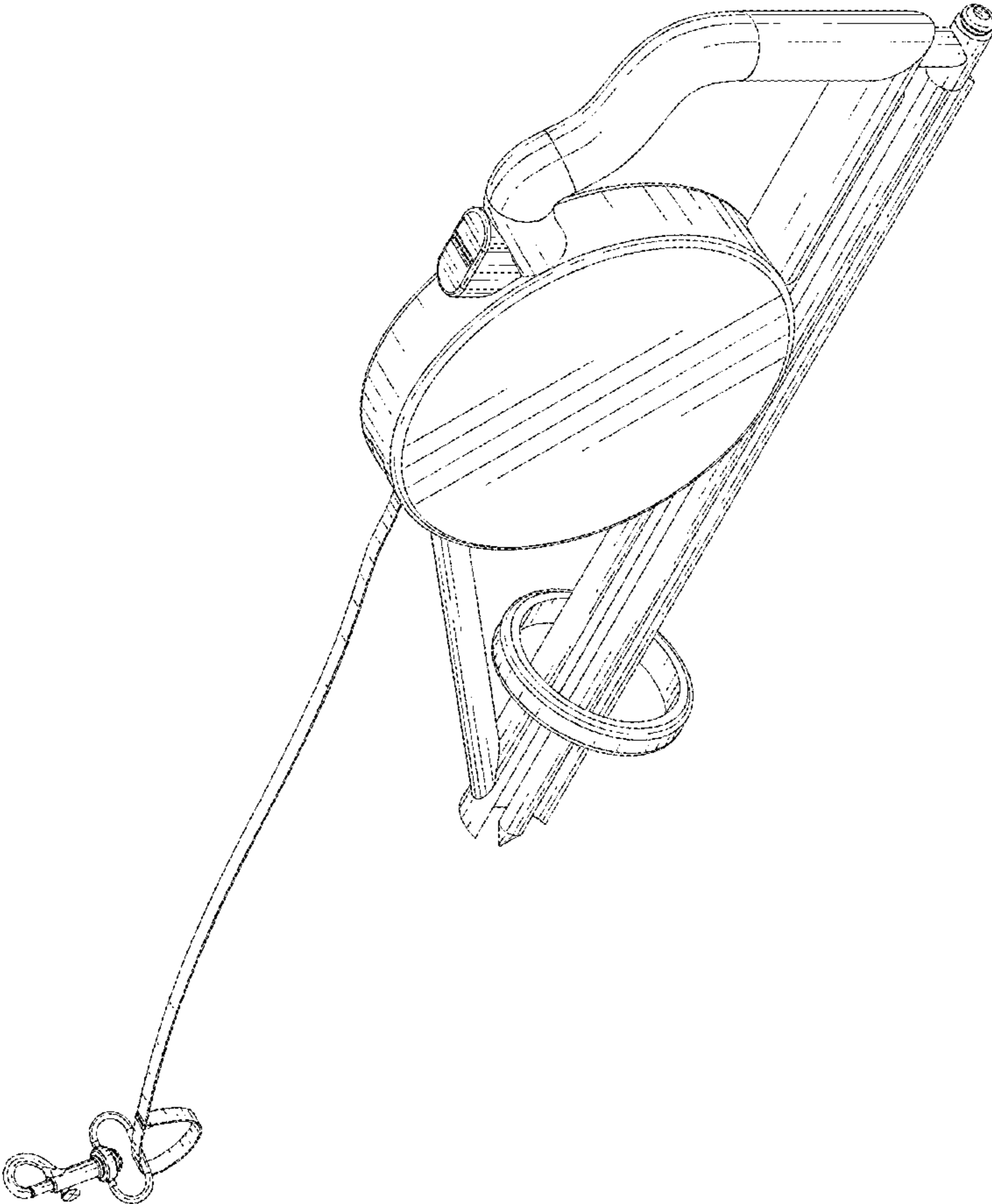


FIG. 9

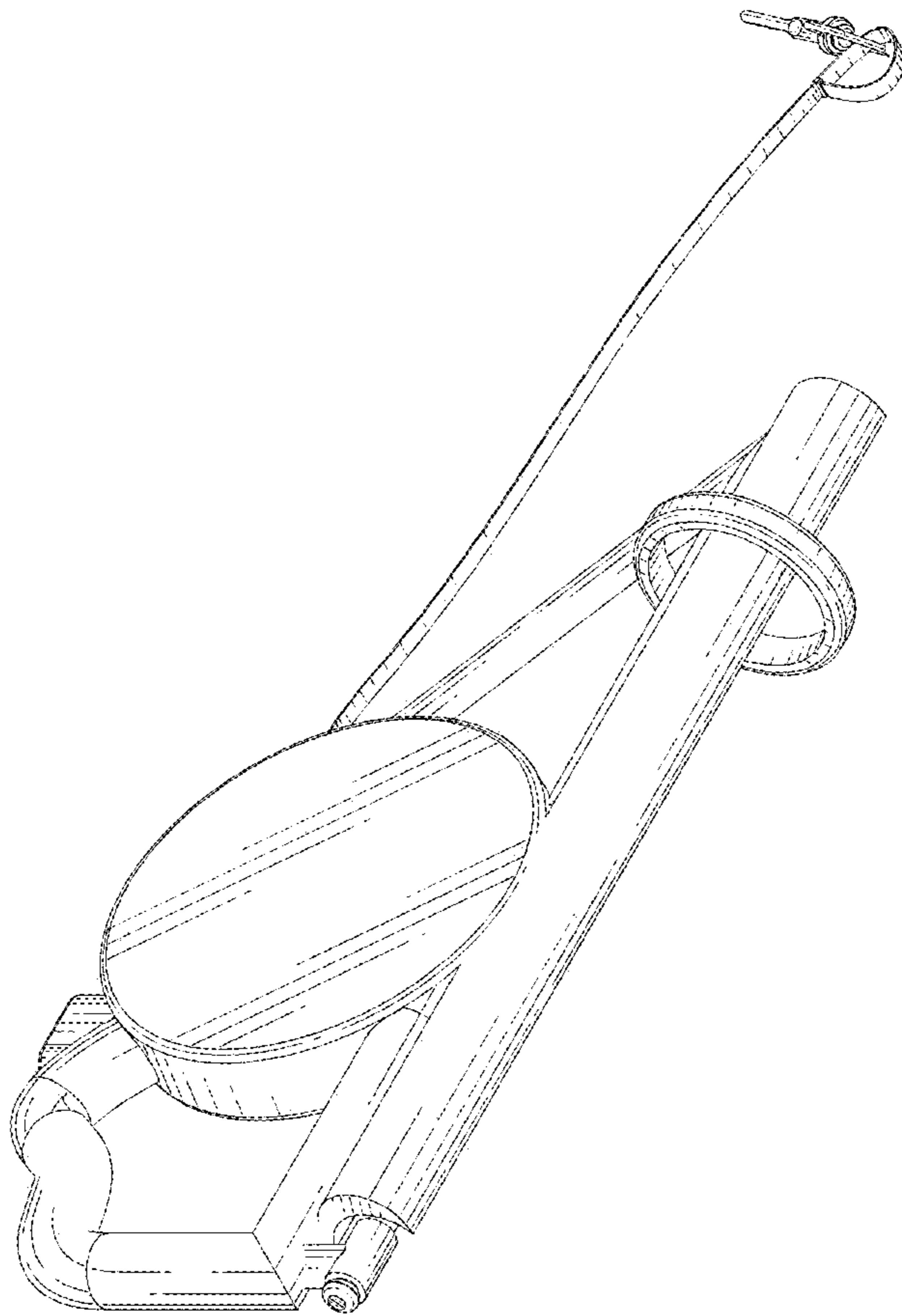


FIG. 10

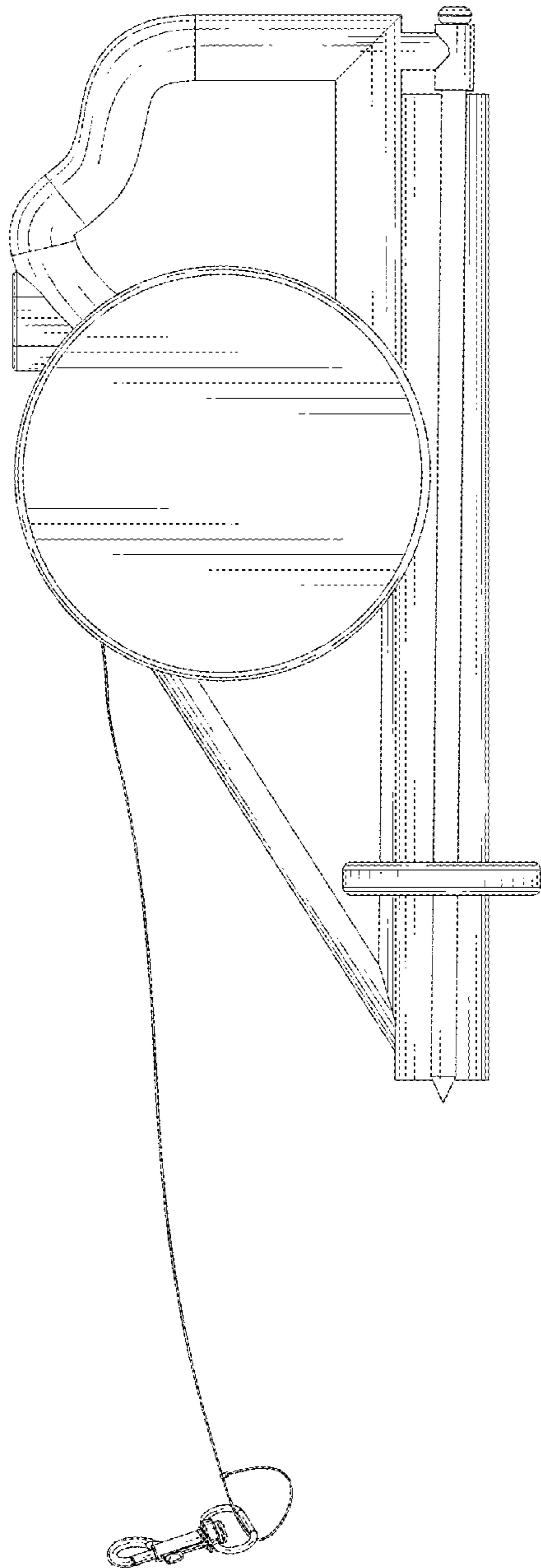


FIG. 11