



US00D922694S

(12) **United States Design Patent**
Huang

(10) **Patent No.:** **US D922,694 S**

(45) **Date of Patent:** **** Jun. 15, 2021**

(54) **AQUARIUM**

(71) Applicant: **Chih-Yuan Huang**, Kaohsiung (TW)

(72) Inventor: **Chih-Yuan Huang**, Kaohsiung (TW)

(**) Term: **15 Years**

(21) Appl. No.: **29/722,699**

(22) Filed: **Jan. 31, 2020**

(51) **LOC (13) Cl.** **30-02**

(52) **U.S. Cl.**
USPC **D30/101**

(58) **Field of Classification Search**
USPC D30/101-105; D11/145
CPC A01K 63/00; A01K 63/003
See application file for complete search history.

(56) **References Cited**

U.S. PATENT DOCUMENTS

D243,352 S *	2/1977	Gray, Sr.	D30/101
5,327,855 A *	7/1994	Pritchard	A01K 63/003
				119/267
D356,403 S *	3/1995	Pritchard	D11/145
D570,555 S *	6/2008	Kilroy	D30/104
D887,087 S *	6/2020	Huang	D30/101

OTHER PUBLICATIONS

Aqueon Black Trim Hexagon Aquarium. Retrieved on Feb. 10, 2021. Retrieved from the Internet: <https://petworldoutlet.com/black-trim-xaqar-aga17001-c>.*

* cited by examiner

Primary Examiner — Wan Laymon

(74) *Attorney, Agent, or Firm* — Rosenberg, Klein & Lee

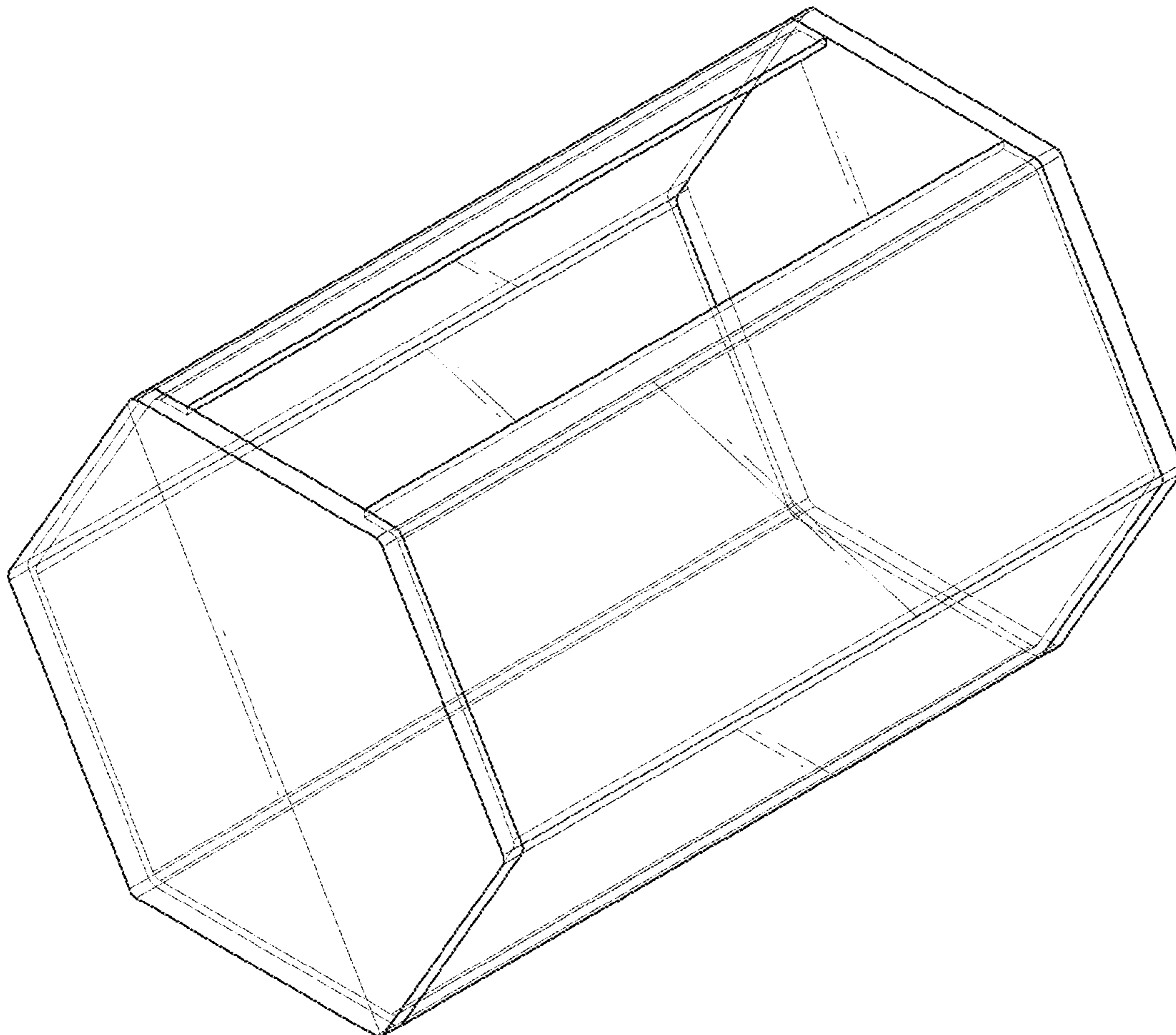
(57) **CLAIM**

The ornamental design for an aquarium, as shown and described.

DESCRIPTION

FIG. 1 is a perspective view of an aquarium showing my new design;
FIG. 2 is a front elevational view thereof;
FIG. 3 is a rear elevational view thereof;
FIG. 4 is a right side view thereof;
FIG. 5 is a left side view thereof;
FIG. 6 is a top plan view thereof; and,
FIG. 7 is a bottom plan view thereof.

1 Claim, 7 Drawing Sheets



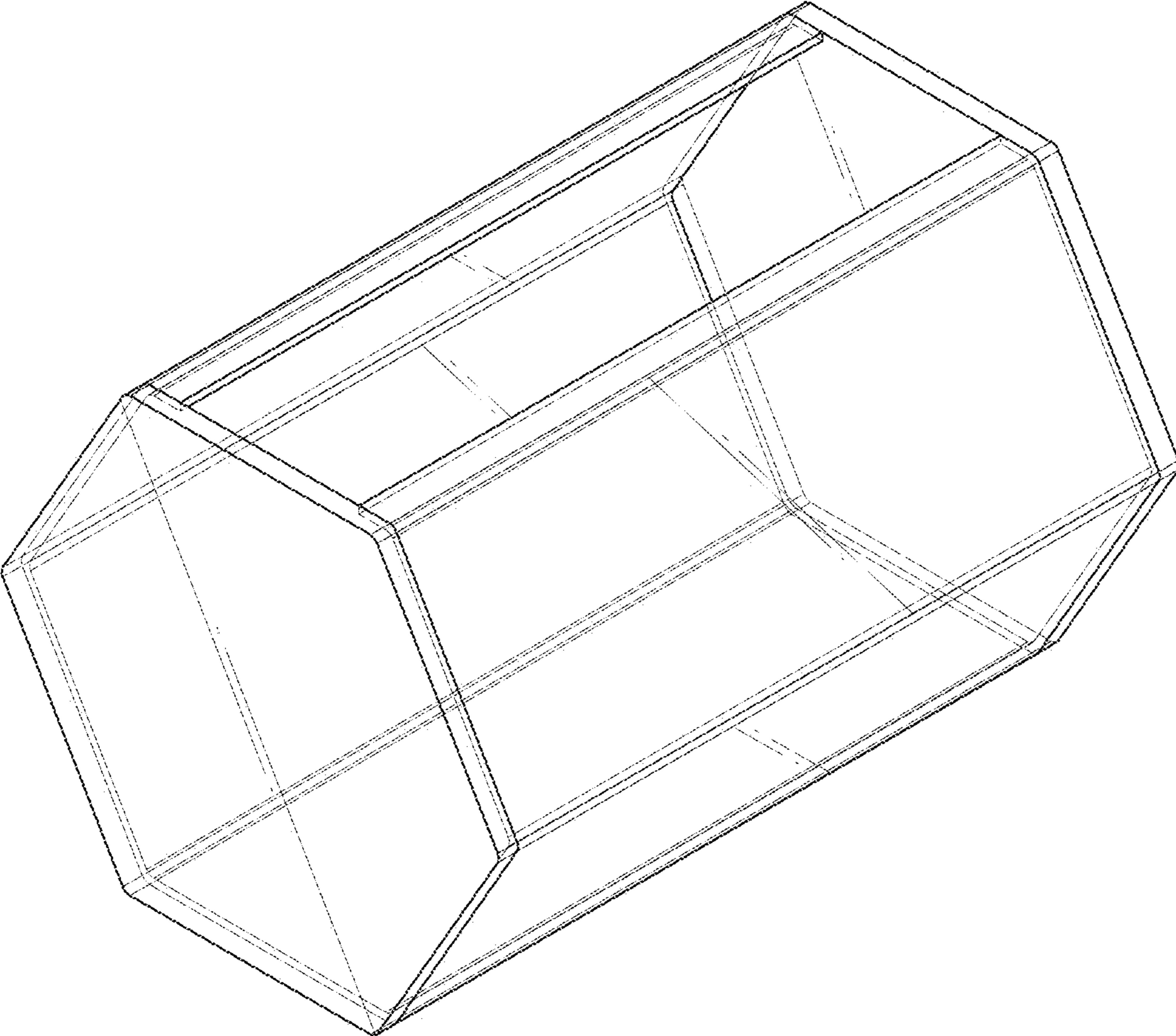


FIG. 1

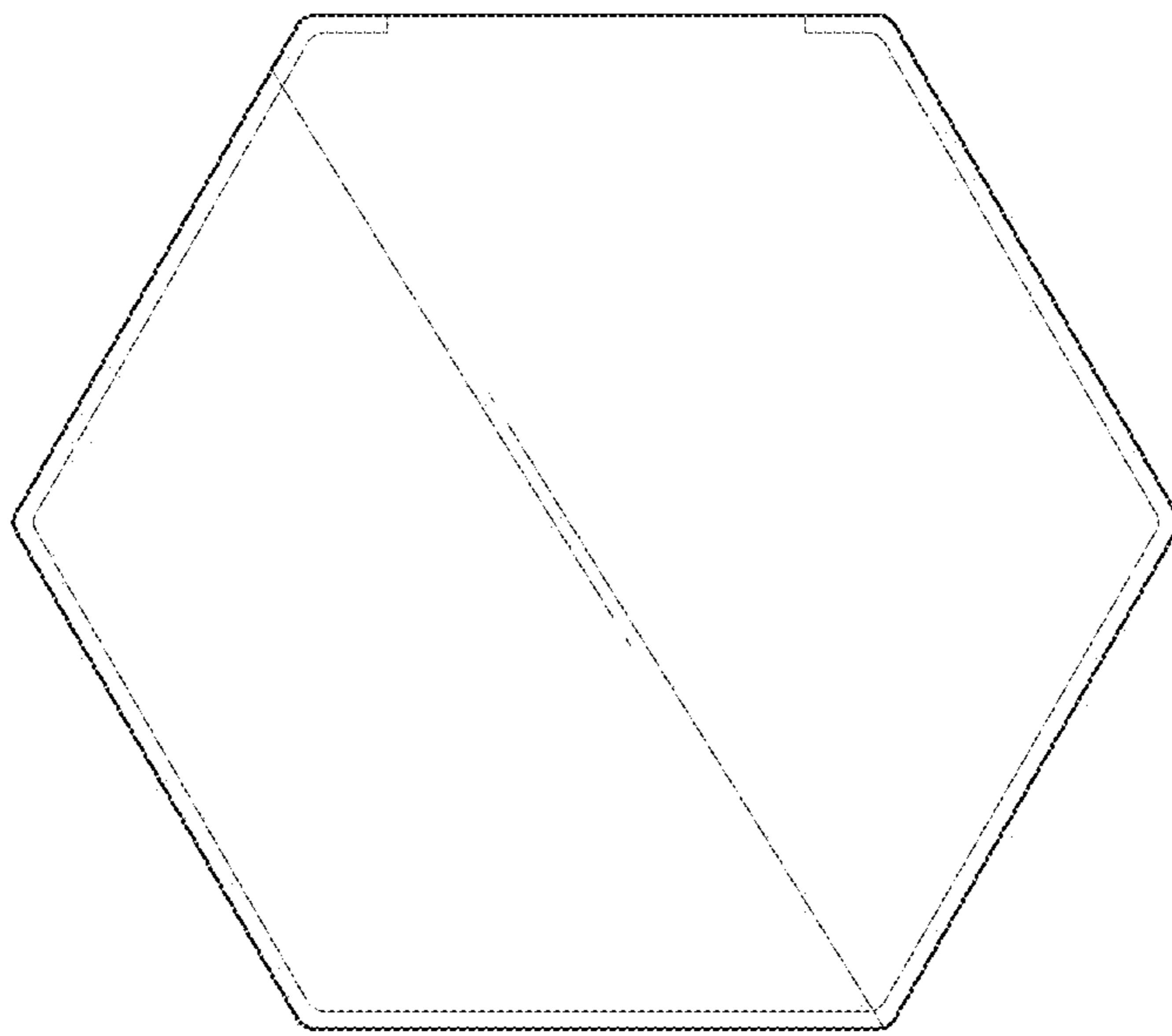


FIG. 2

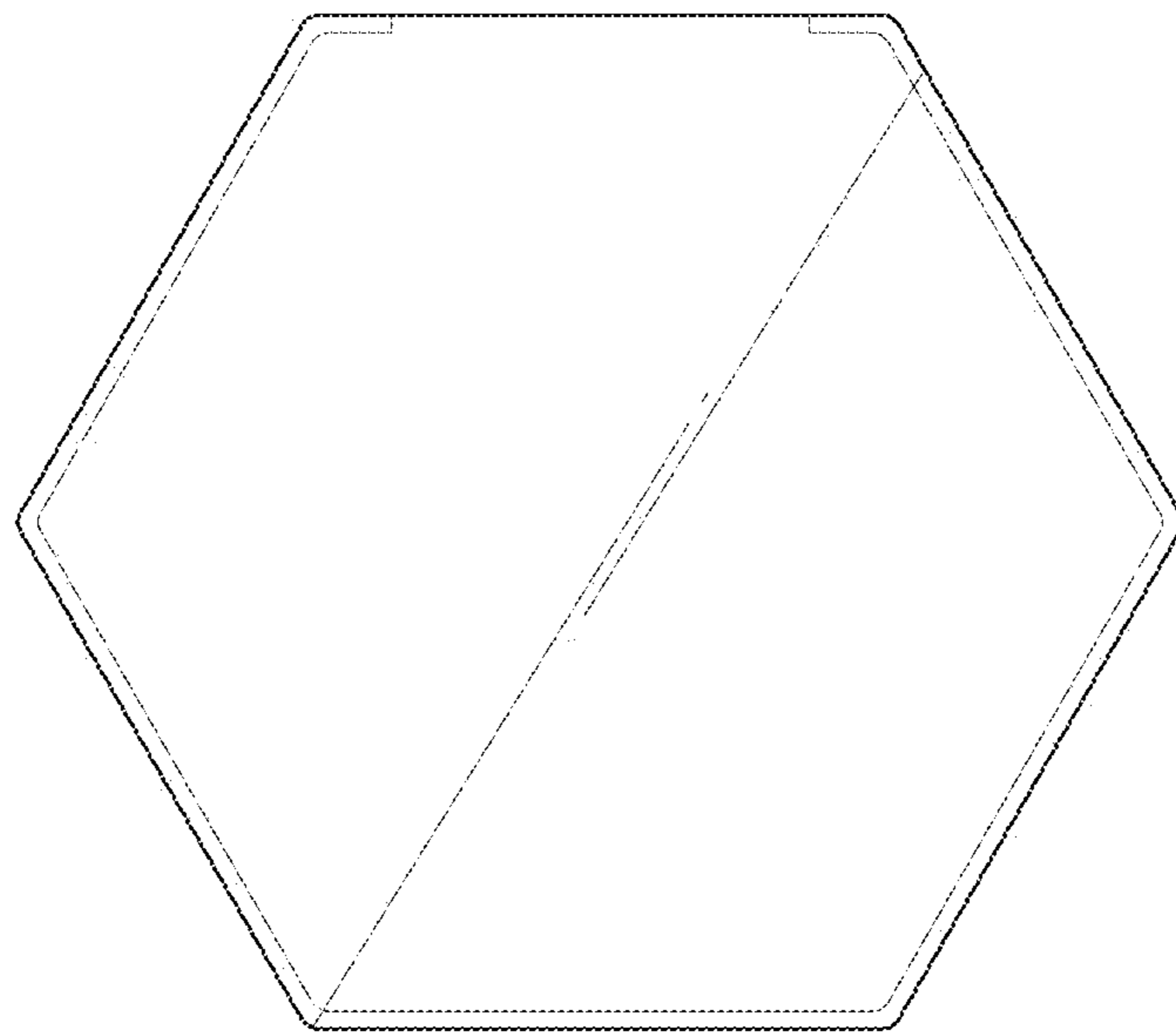


FIG. 3

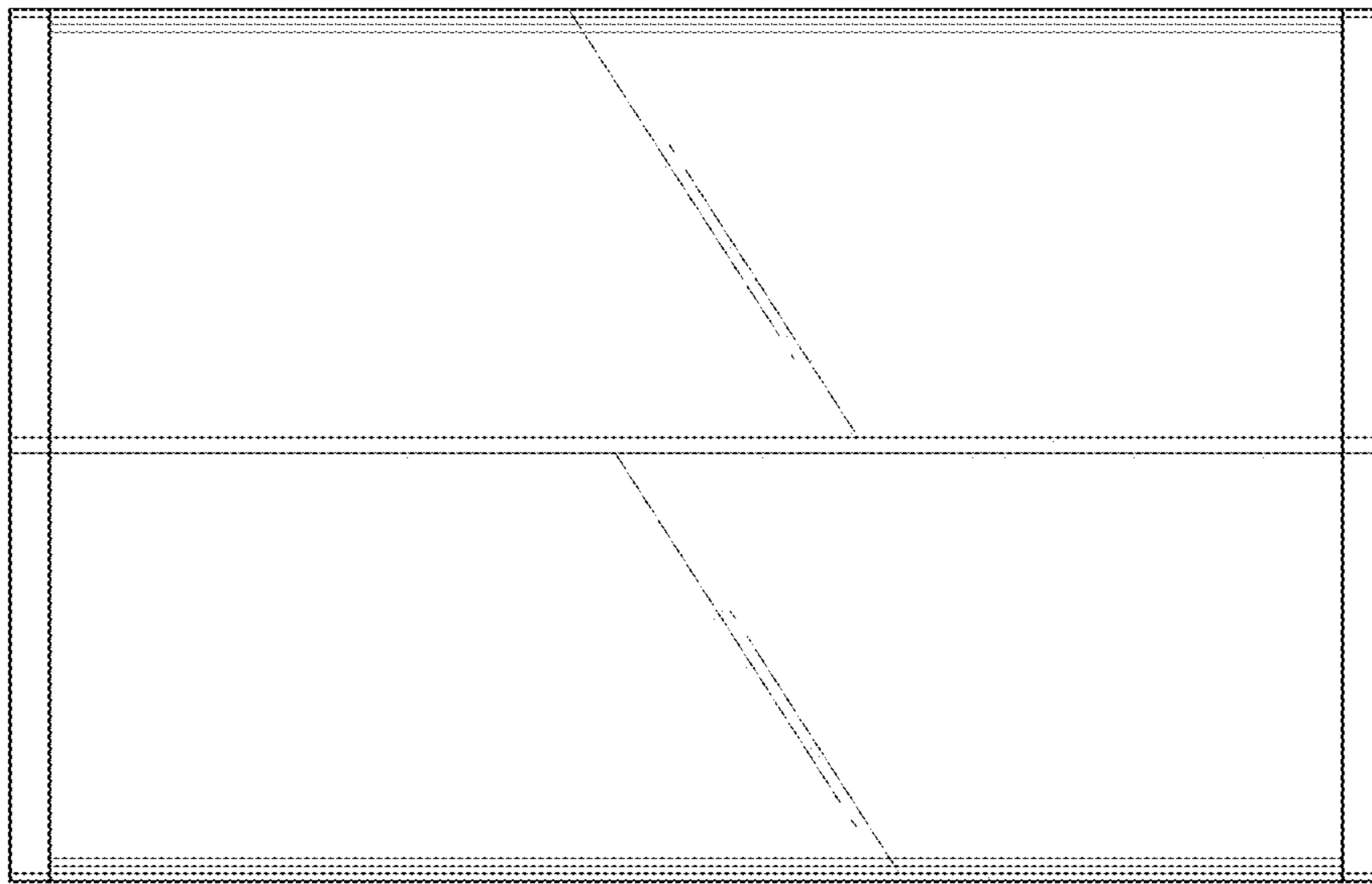


FIG. 4

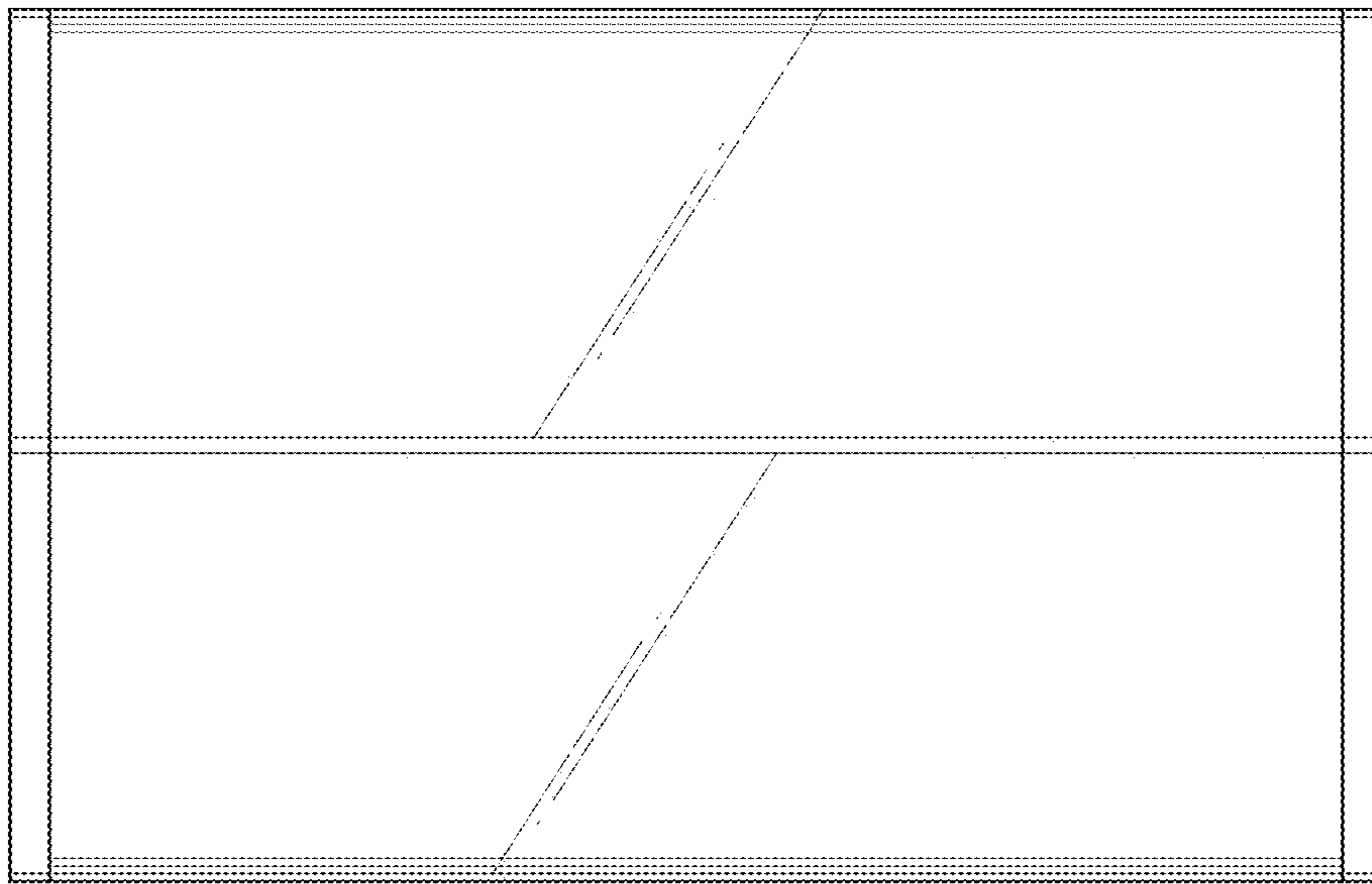


FIG. 5

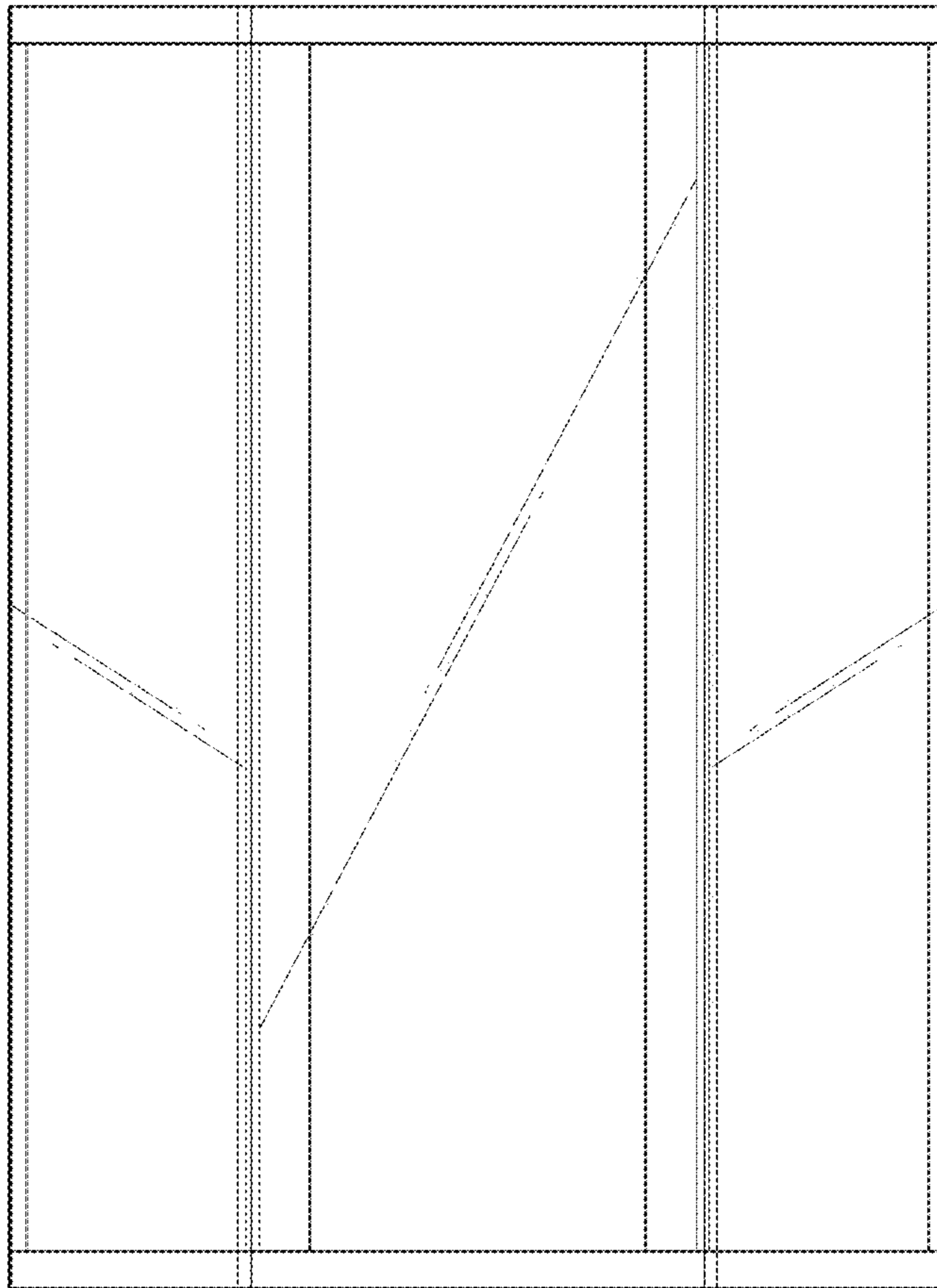


FIG. 6

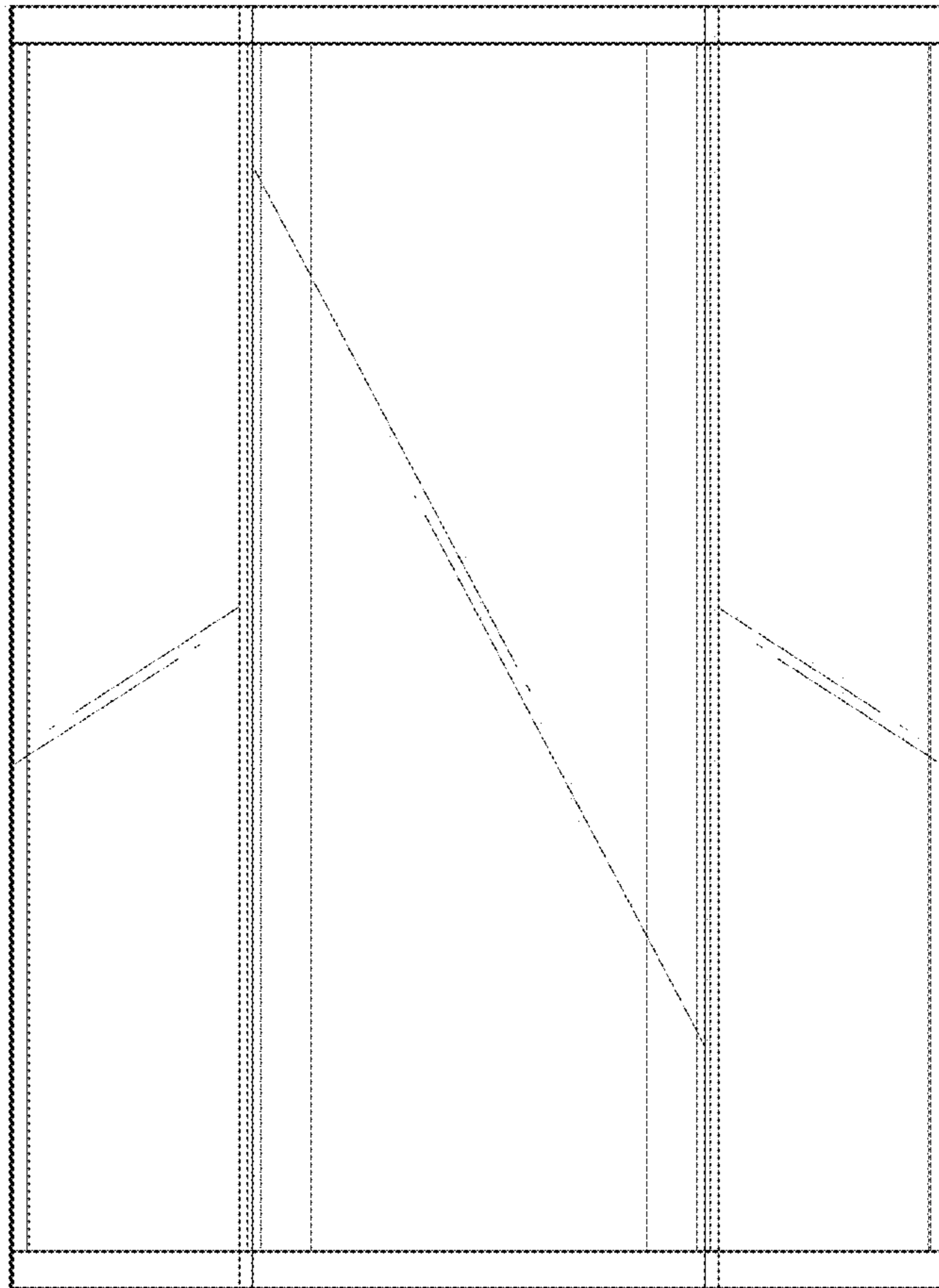


FIG. 7