



US00D922688S

(12) **United States Design Patent**
Forell

(10) **Patent No.:** **US D922,688 S**
(45) **Date of Patent:** **** Jun. 15, 2021**

- (54) **WEIGHTLIFTING SUPPORT SHIRT**
- (71) Applicant: **Robert Allen Forell**, Lucinda, PA (US)
- (72) Inventor: **Robert Allen Forell**, Lucinda, PA (US)
- (**) Term: **15 Years**
- (21) Appl. No.: **29/728,660**
- (22) Filed: **Mar. 20, 2020**

Related U.S. Application Data

- (63) Continuation-in-part of application No. 16/801,170, filed on Feb. 26, 2020.
- (51) **LOC (13) Cl.** **29-02**
- (52) **U.S. Cl.**
USPC **D29/101.3**
- (58) **Field of Classification Search**
USPC D29/100, 101.1, 101.2, 101.3; D24/190;
D3/327, 328; D21/692
CPC A45F 3/047; A45F 3/14; A61F 5/37; A61F
5/02; A61F 5/3723; A41D 13/00; A41D
13/0007; A41D 13/0015; A41D 13/0512;
A41D 31/18; A63B 21/00178; A63B
21/00185; A63B 21/0552; A63B 21/0555;
A63B 21/4005; A63B 21/4007; A63B
21/4017; A63B 21/4025
See application file for complete search history.

(56) **References Cited**

U.S. PATENT DOCUMENTS

- 3,116,735 A * 1/1964 Geimer A61F 5/026
450/2
- 3,141,456 A * 7/1964 Meek A61F 5/05808
602/19
- 3,338,236 A * 8/1967 McLeod, Jr. A61F 5/05808
602/19

- 3,548,818 A * 12/1970 Kaplan A61F 13/146
602/19
- 3,718,137 A * 2/1973 Gaylord, Jr. A61F 5/05808
602/19
- 3,897,776 A * 8/1975 Gaylord, Jr. A61F 5/05808
602/19

(Continued)

OTHER PUBLICATIONS

Sling Shot Original Power Lifting Band by Mark Bell (on-line), reviewed May 8, 2018. Retrieved from Internet Sep. 22, 2020, URL: <https://www.walmart.com/lp/Sling-Shot-Original-Power-Lifting-Band-by-Mark-Bell-Red/733780113> (5 pages) (Year: 2018).*

Primary Examiner — Kimberly Barnes

(74) *Attorney, Agent, or Firm* — Ashok Tankha; Lipton Weinberger & Husick

(57) **CLAIM**

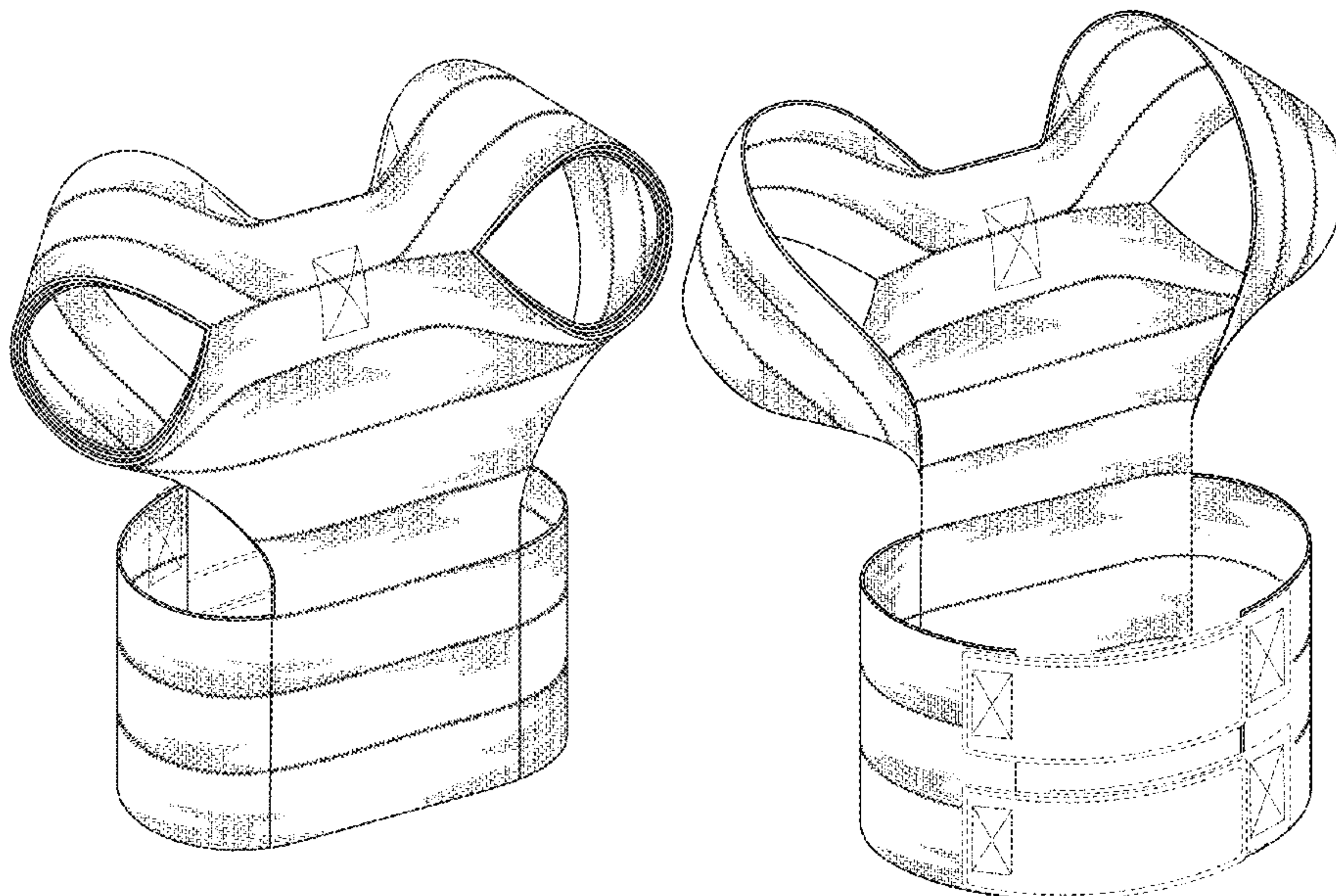
The ornamental design for a weightlifting support shirt, as shown and described.

DESCRIPTION

FIG. 1 is a front left side perspective view of a weightlifting support shirt showing my new design in a fastened state; FIG. 2 is a rear right side perspective view thereof; FIG. 3 is a front view thereof in an unfastened state; FIG. 4 is a rear view thereof in an unfastened state; FIG. 5 is a front view thereof in a fastened state; FIG. 6 is a rear view thereof; FIG. 7 is a left side view thereof, the right side view being a mirror image of the left side view; FIG. 8 is a top view thereof; and, FIG. 9 is a bottom view thereof.

In FIGS. 1-9, the dash-dot broken lines on the surface of the weightlifting support shirt represent stitching that forms a part of the claimed design. The entirety of the fastening straps shown in evenly broken lines represent portions of the weightlifting support shirt that do not form part of the claimed design.

1 Claim, 9 Drawing Sheets



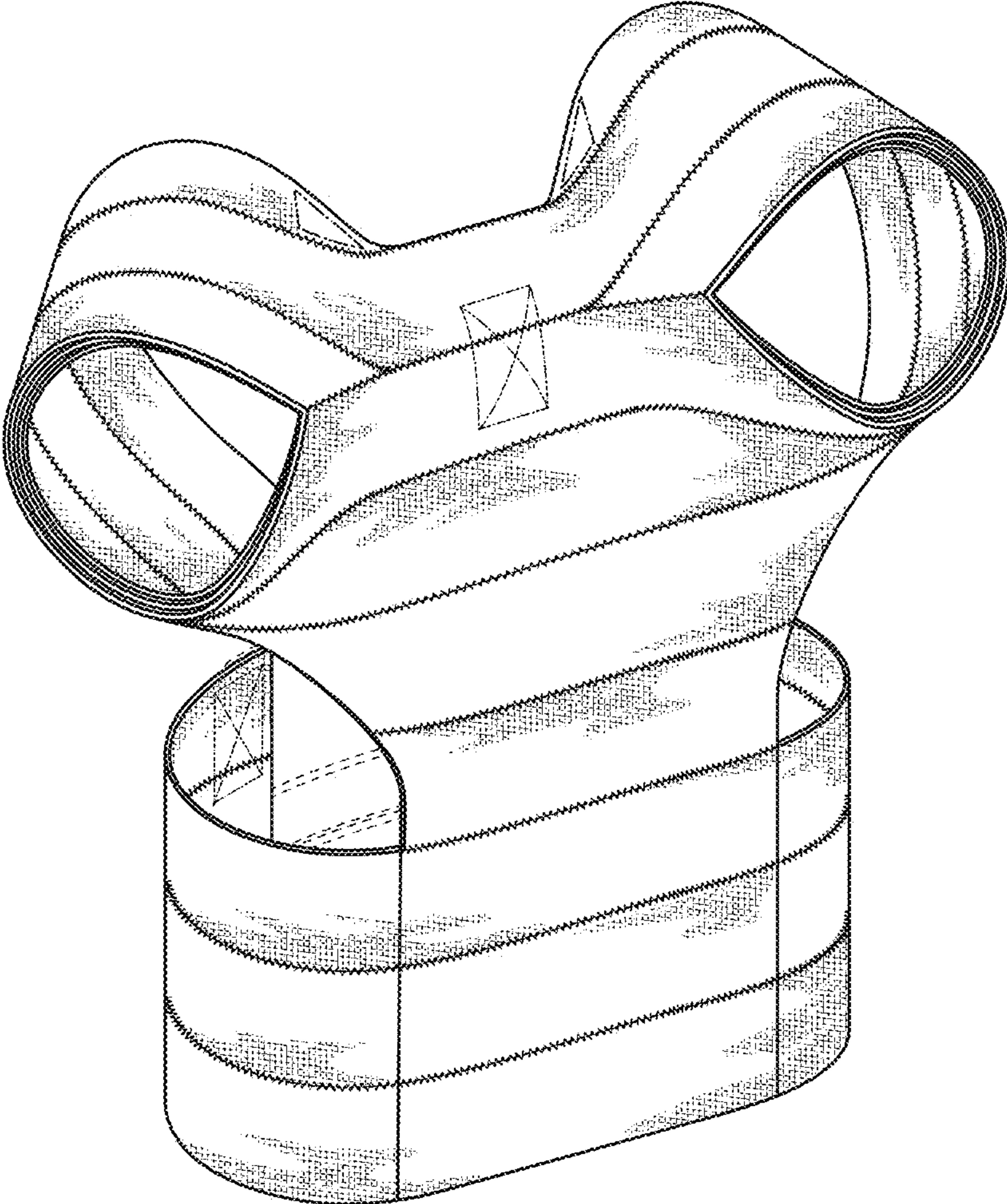


FIG. 1

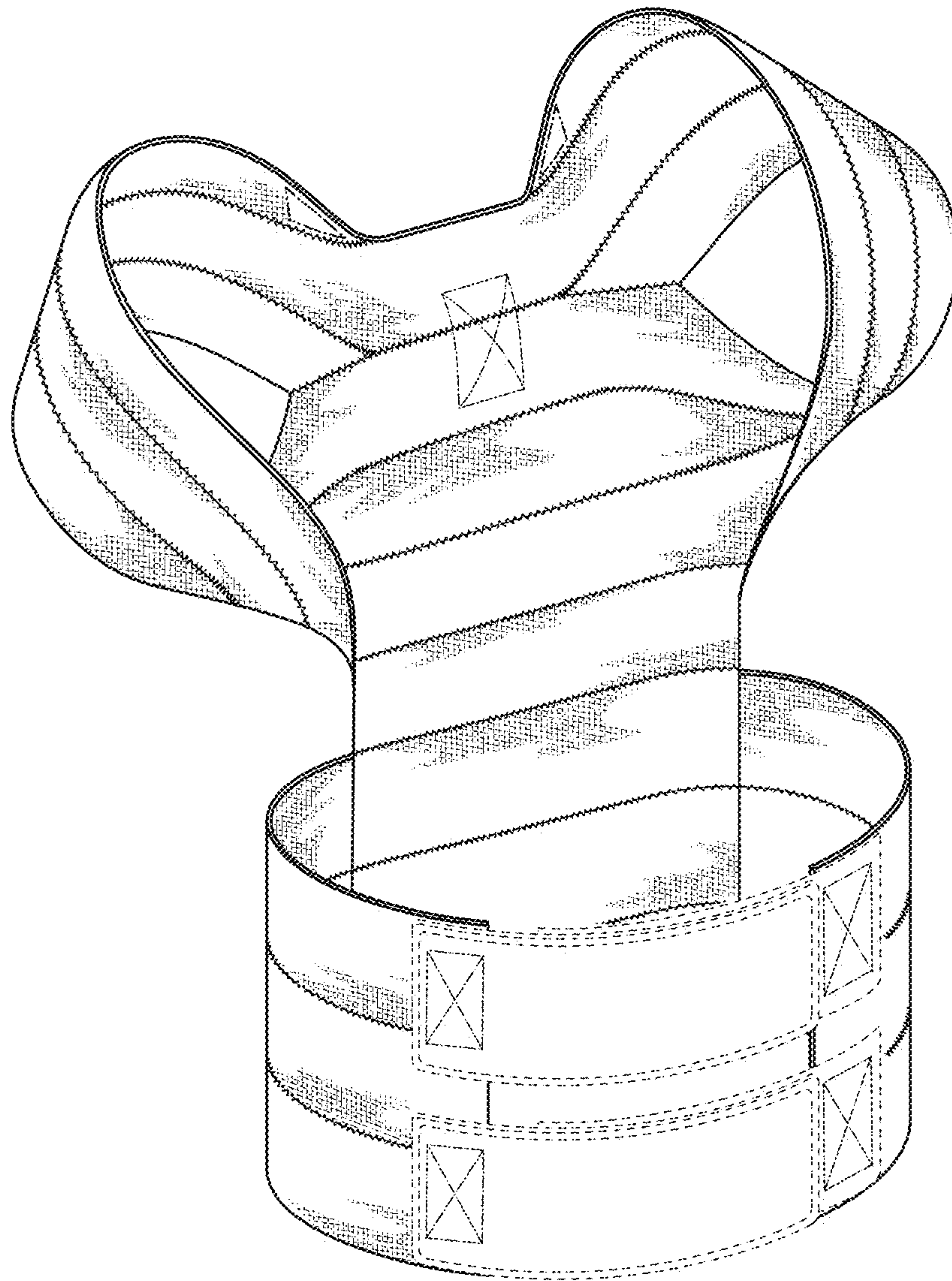


FIG. 2

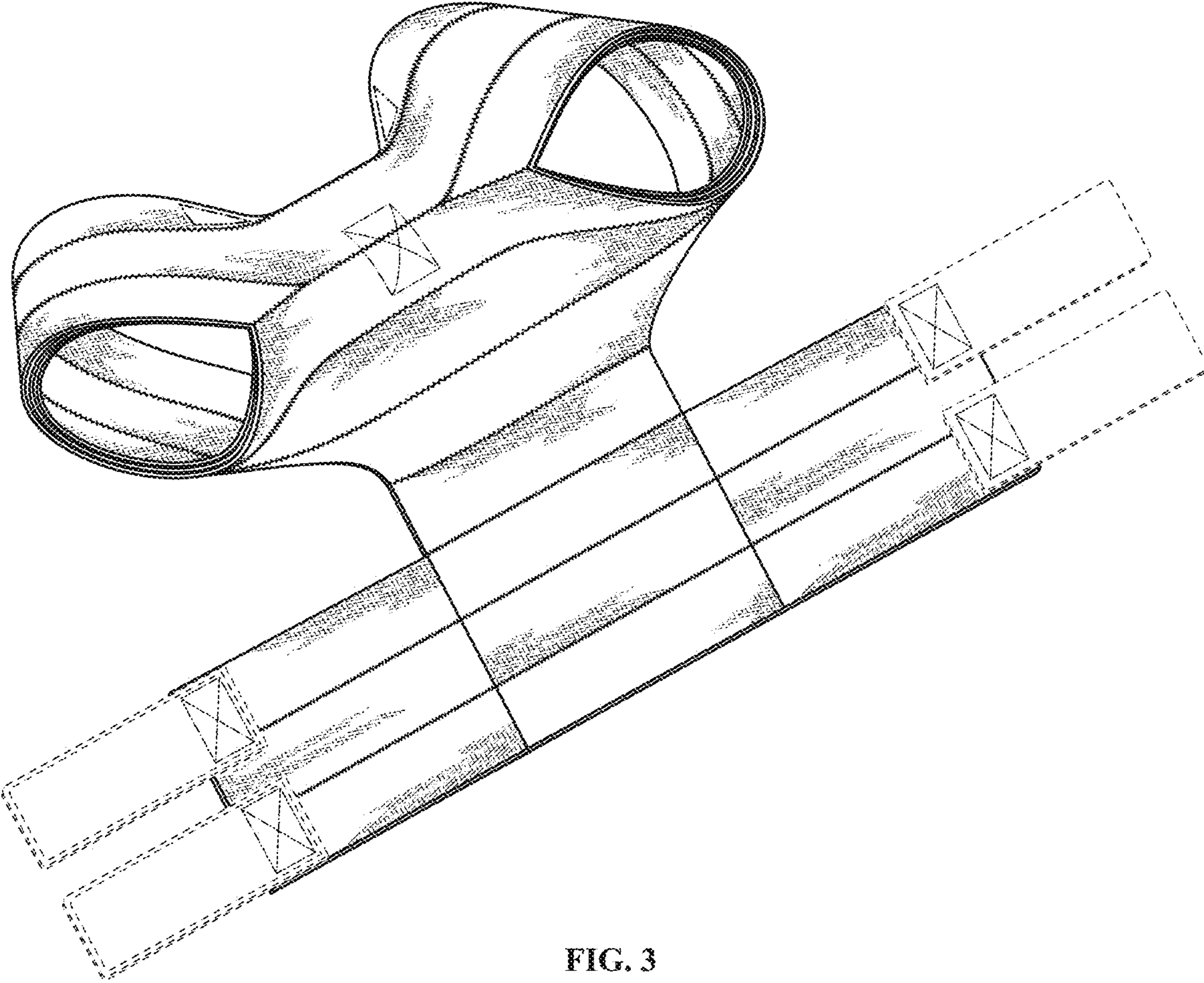


FIG. 3

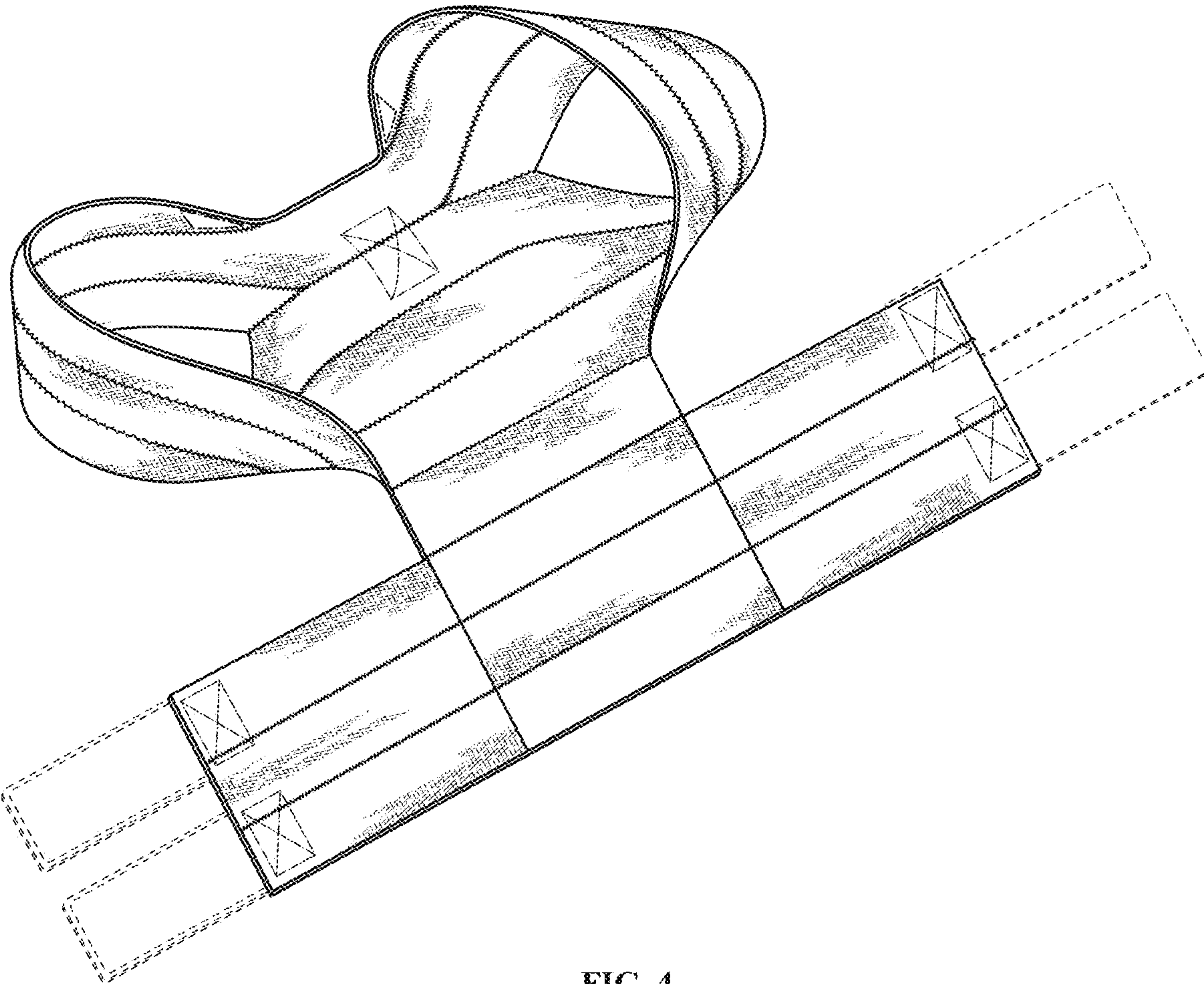


FIG. 4

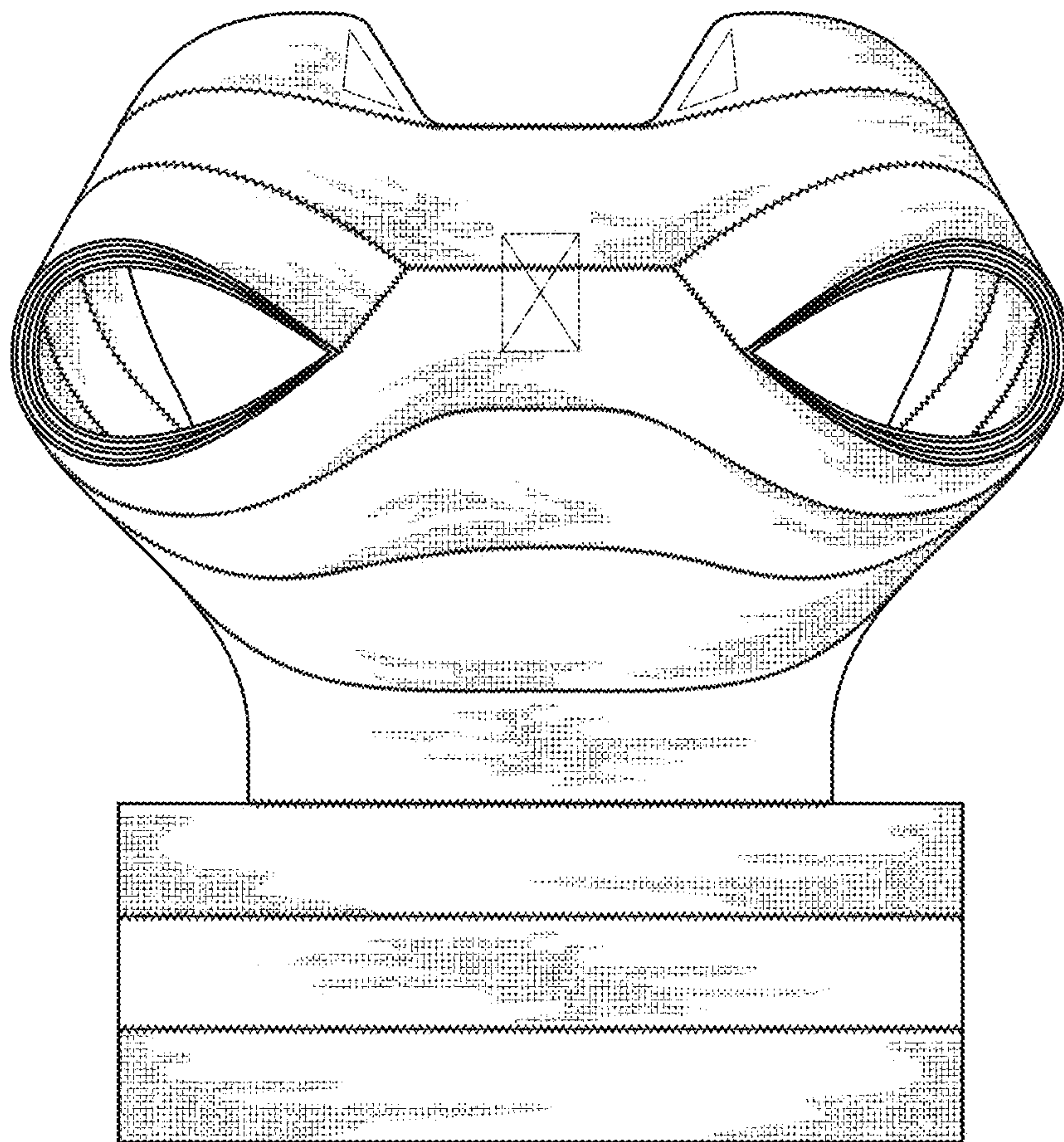


FIG. 5

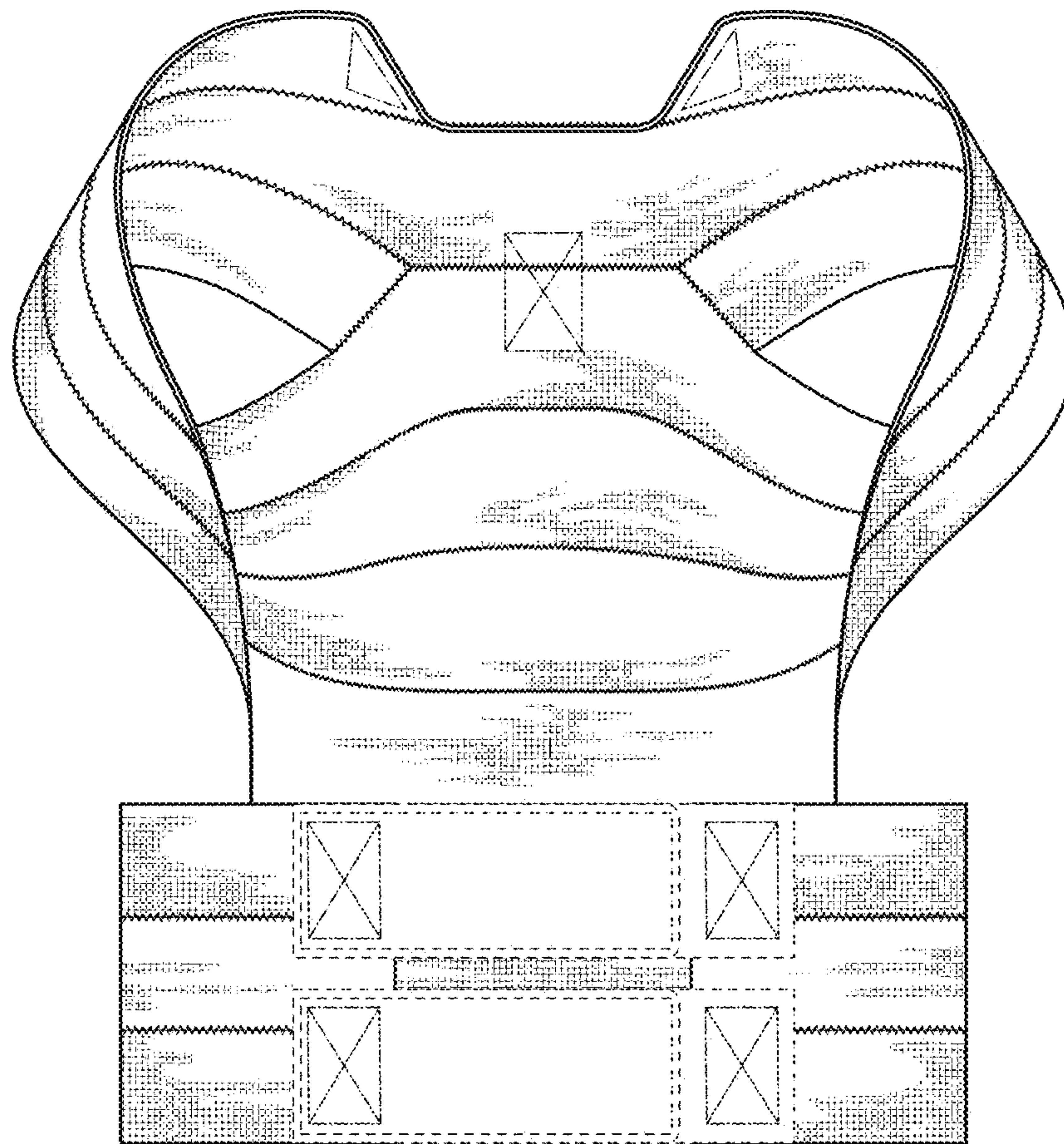


FIG. 6

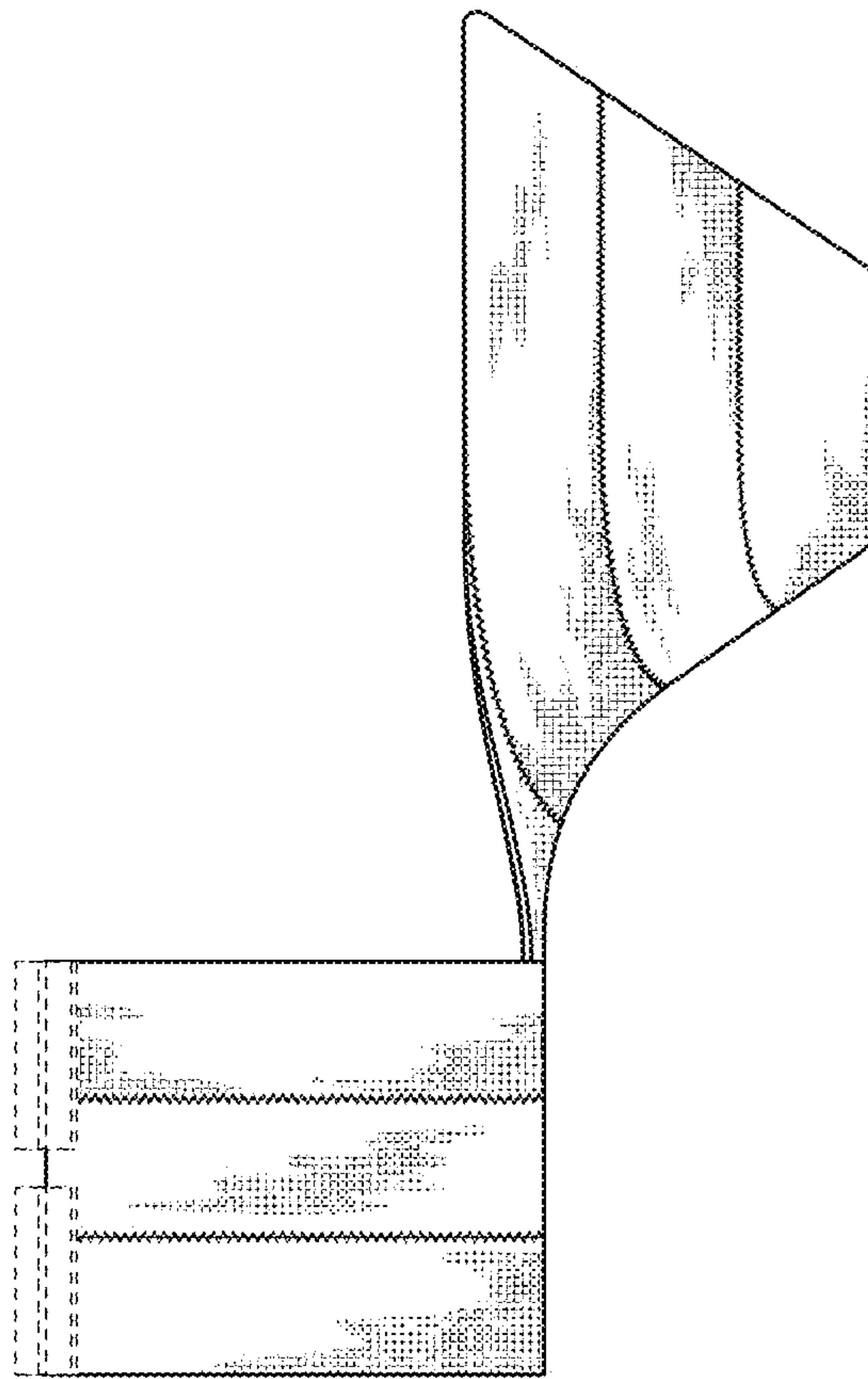


FIG. 7

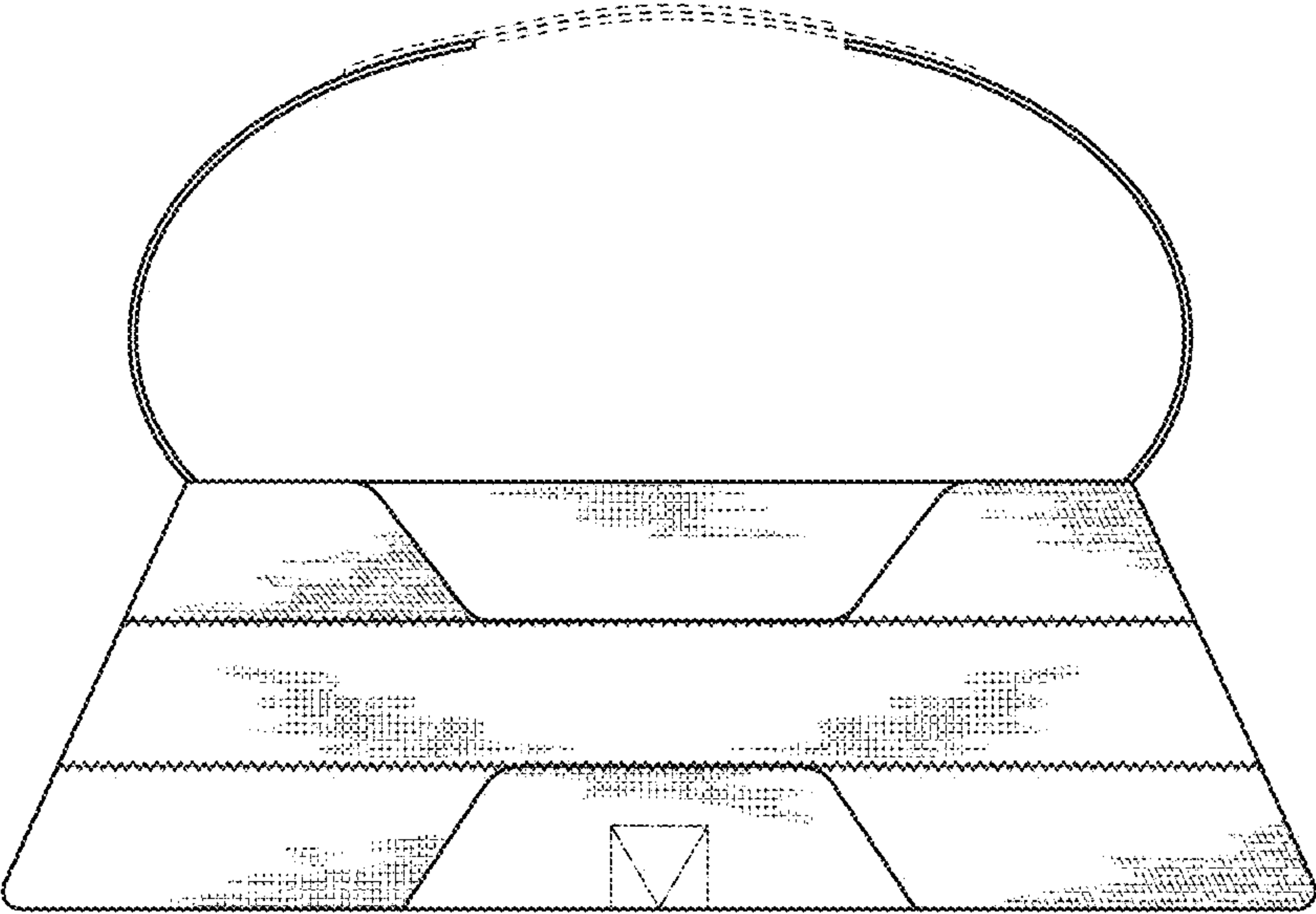


FIG. 8

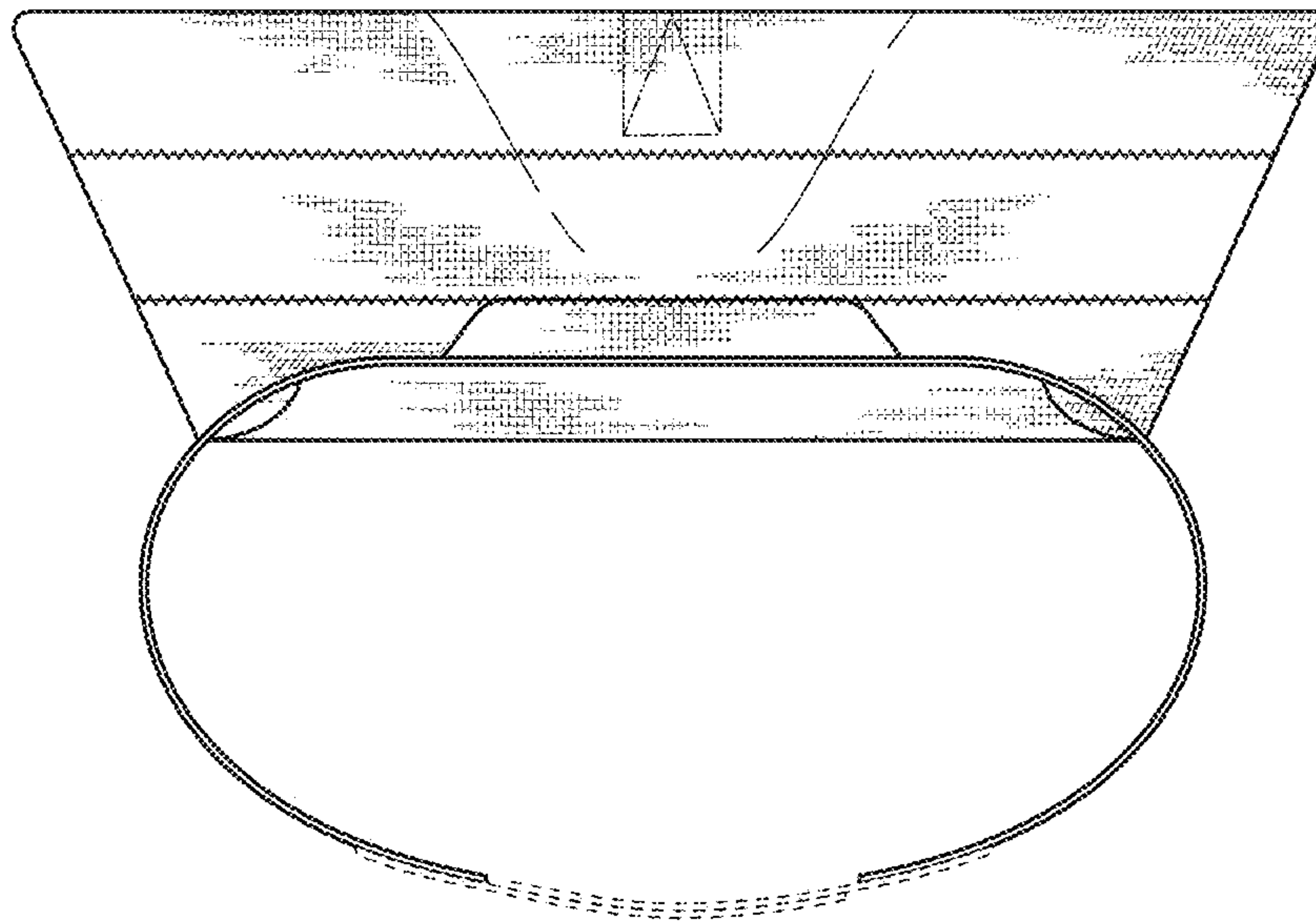


FIG. 9