



US00D922686S

(12) **United States Design Patent** (10) **Patent No.:** **US D922,686 S**
Jiang (45) **Date of Patent:** **** Jun. 15, 2021**

- (54) **ELECTRIC HAIR CLIPPER**
- (71) Applicant: **NINGBO ICLIPPER ELECTRIC APPLIANCE CO., LTD.**, Ningbo (CN)
- (72) Inventor: **Qi Jiang**, Ningbo (CN)
- (**) Term: **15 Years**
- (21) Appl. No.: **29/759,090**
- (22) Filed: **Nov. 19, 2020**
- (51) **LOC (13) Cl.** **28-03**
- (52) **U.S. Cl.**
USPC **D28/54**
- (58) **Field of Classification Search**
USPC D28/49-54
CPC .. B26B 19/38-3826; B26B 19/384-48; B26B 19/12; B26B 19/20-24; B26B 19/00-107
See application file for complete search history.

- 2001/0004896 A1* 6/2001 Chaouachi B26B 19/20 132/213.1
- 2012/0017928 A1* 1/2012 Raskin A45D 7/00 132/200
- 2020/0376694 A1* 12/2020 Carlucci B26B 19/205

OTHER PUBLICATIONS

iClipper Ningbo Electric Appliances, www.iclipper.en.alibaba.com, 1 page, downloaded Apr. 21, 2021 (Year: 2021).*

* cited by examiner

Primary Examiner — Jennifer Rivard

(57) **CLAIM**

The ornamental design for an electric hair clipper, as shown and described.

DESCRIPTION

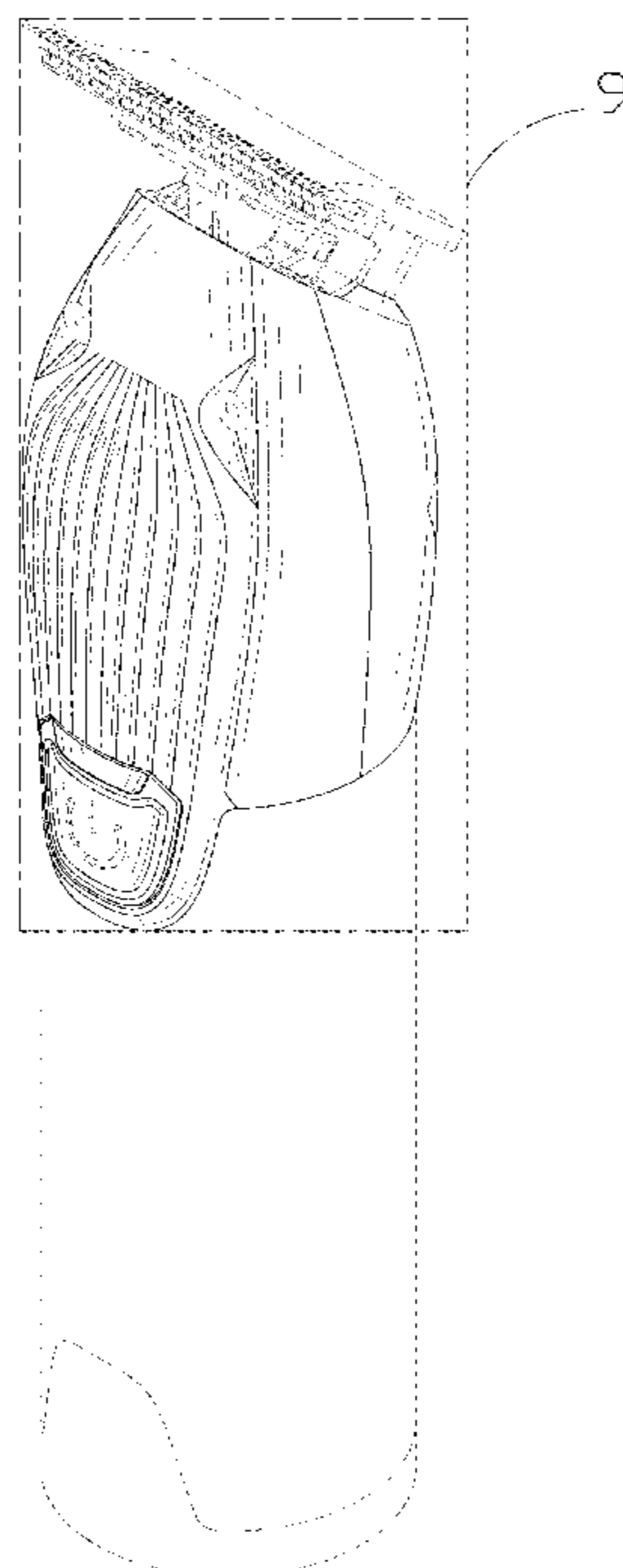
FIG. 1 is a front and top perspective view of an electric hair clipper, showing my new design;
 FIG. 2 is a rear and bottom perspective view thereof;
 FIG. 3 is a front elevational view thereof;
 FIG. 4 is a rear elevational view thereof;
 FIG. 5 is a left side elevational view thereof;
 FIG. 6 is a right side elevational view thereof;
 FIG. 7 is a top plan view thereof;
 FIG. 8 is a bottom plan view thereof; and,
 FIG. 9 is an enlarged view of a portion indicated with numeric 9 in FIG. 1.

The broken lines in the figures illustrate portions of the electric hair clipper that form no part of the claimed design. The dash dot dash lines in FIGS. 1 and 9 are for the purpose of depicting the cut line of the enlarged view and form no part of the claim.

1 Claim, 9 Drawing Sheets

(56) **References Cited**
 U.S. PATENT DOCUMENTS

- D436,229 S * 1/2001 Eguchi D28/53
- D462,482 S * 9/2002 Rizzuto, Jr. D28/53
- D464,466 S * 10/2002 Rizzuto, Jr. D28/53
- D556,379 S 11/2007 Akahori
- D696,459 S * 12/2013 Chan D28/53
- D814,702 S * 4/2018 Aulwes D28/53
- D853,646 S * 7/2019 Boulanger D28/53
- D867,662 S * 11/2019 Cociffi D28/53
- D867,663 S * 11/2019 Boulanger D28/53
- D897,603 S * 9/2020 Zhang D28/53
- D905,344 S * 12/2020 Wang D28/51
- D905,345 S * 12/2020 Carlucci D28/53
- D910,918 S * 2/2021 Jiang D28/53
- D910,919 S * 2/2021 Jiang D28/53



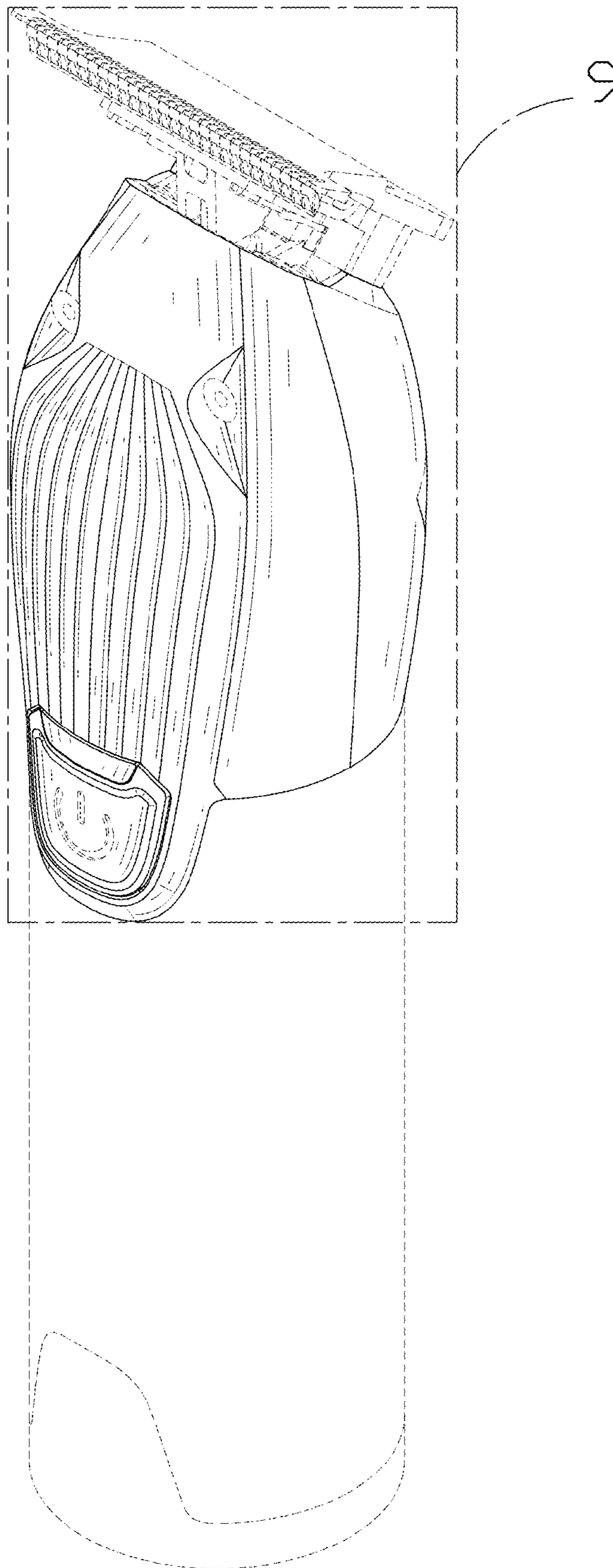


FIG. 1

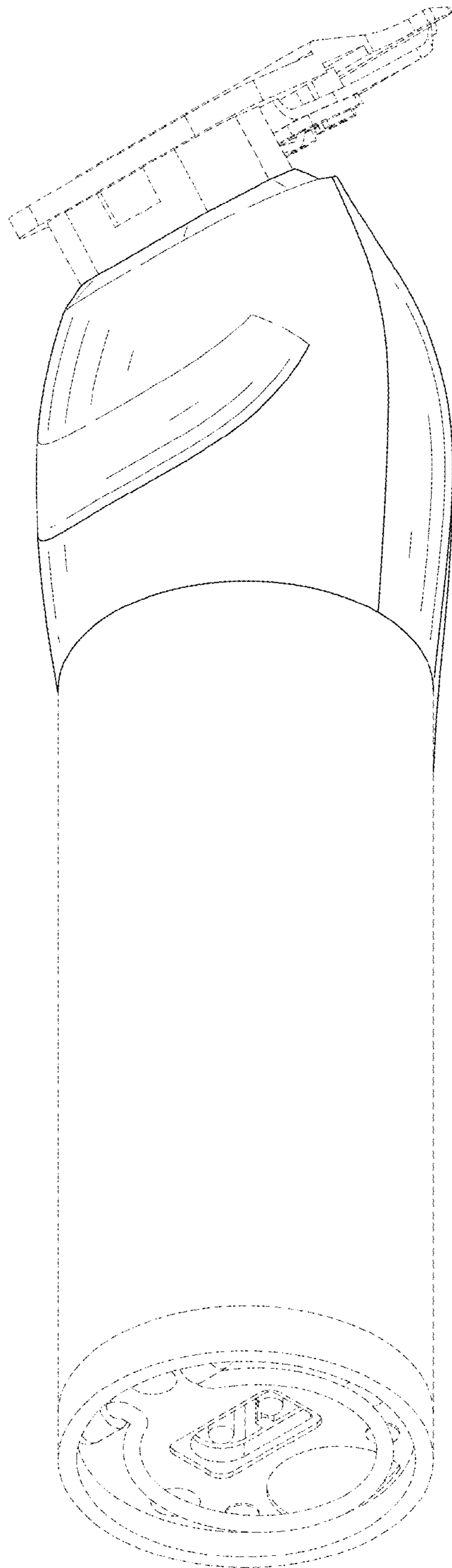


FIG. 2

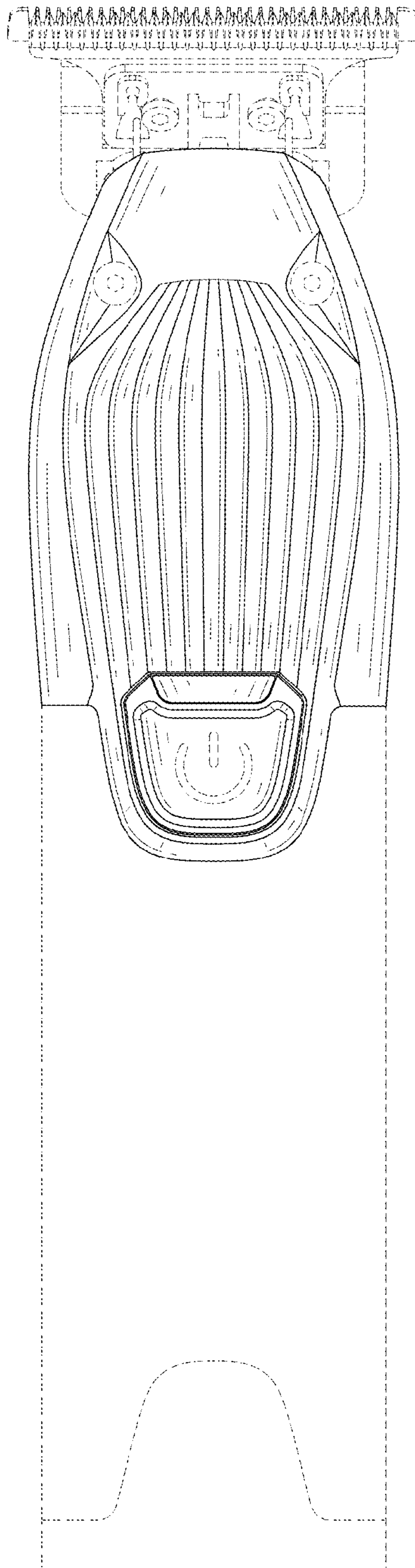


FIG. 3

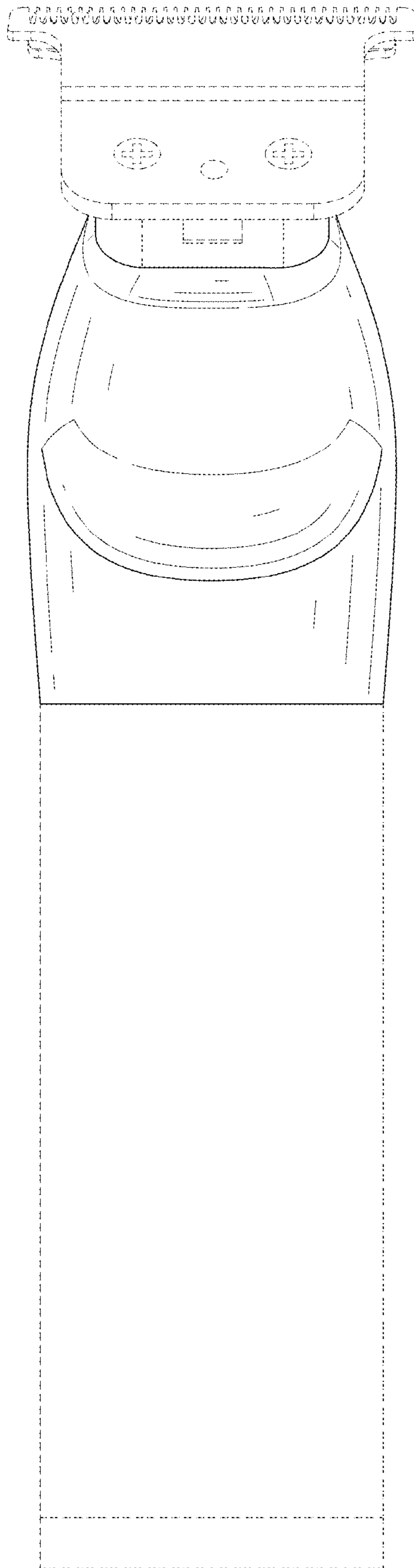


FIG. 4

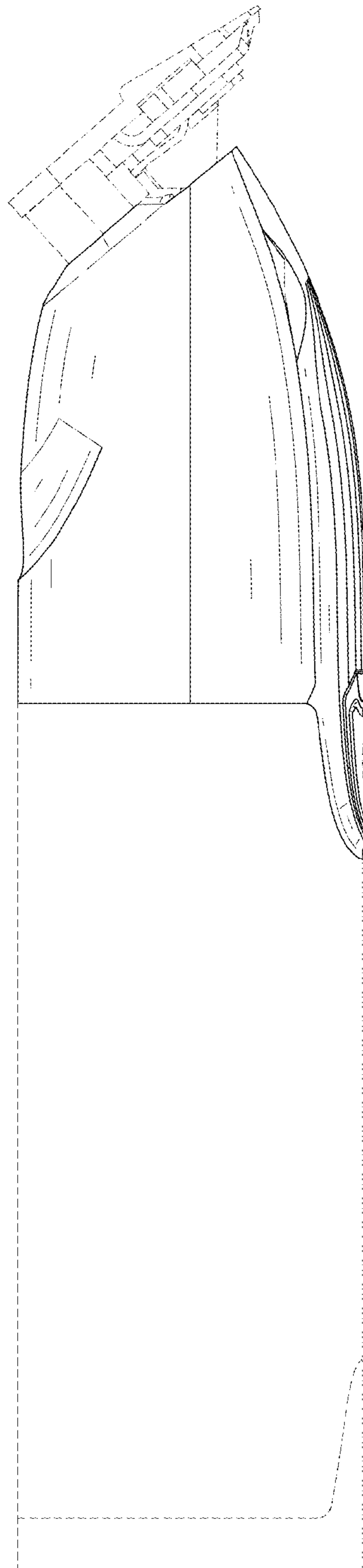


FIG. 5

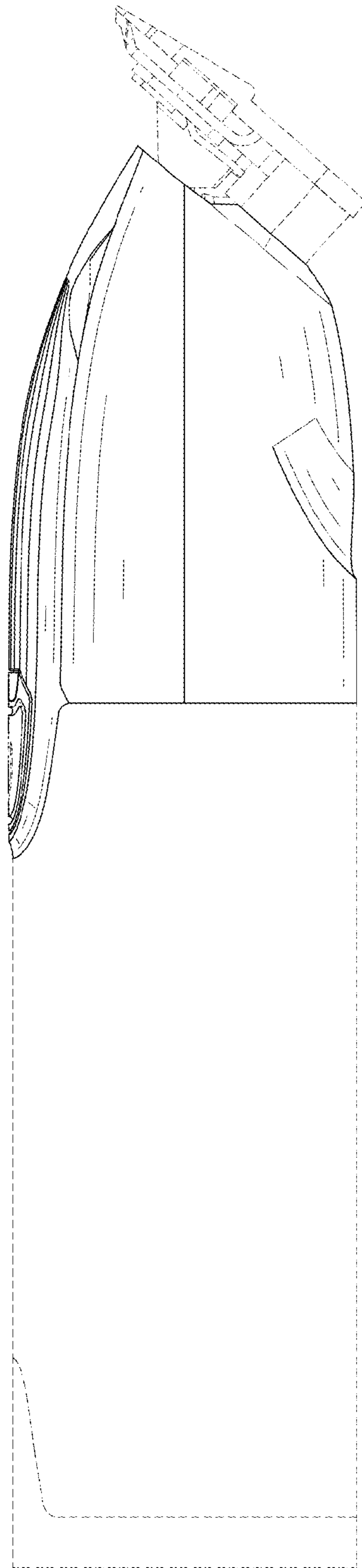


FIG. 6

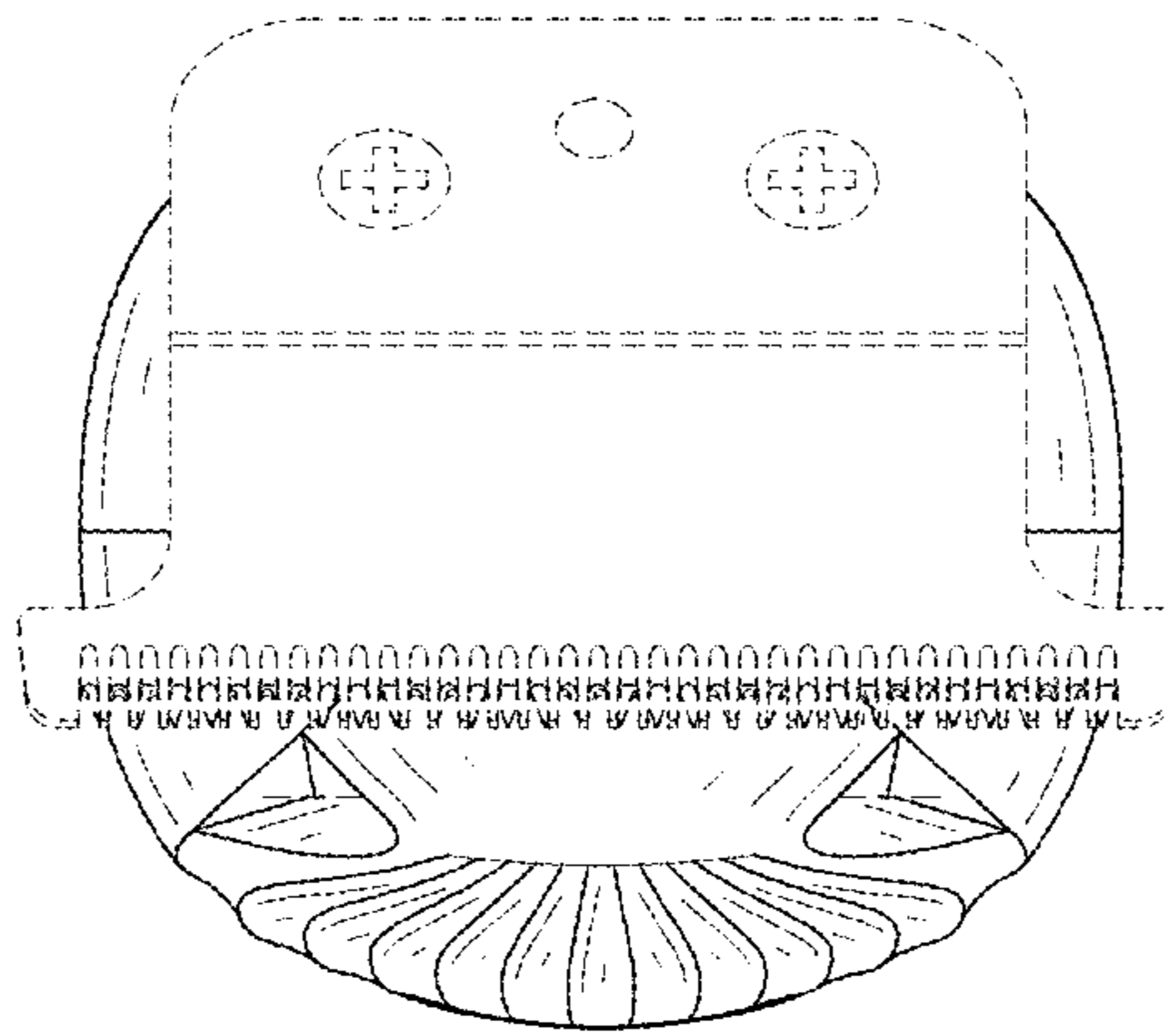


FIG. 7

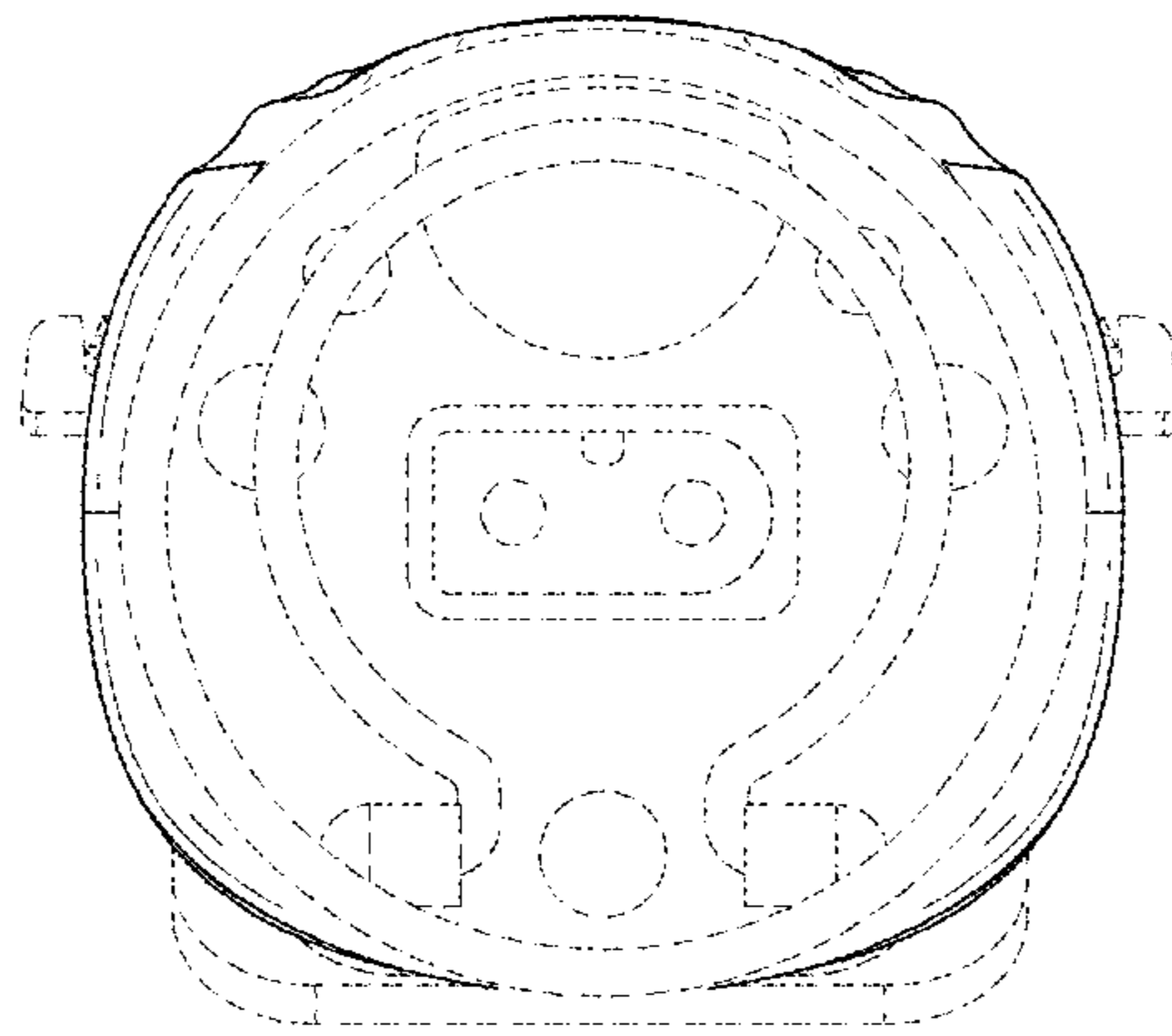


FIG. 8

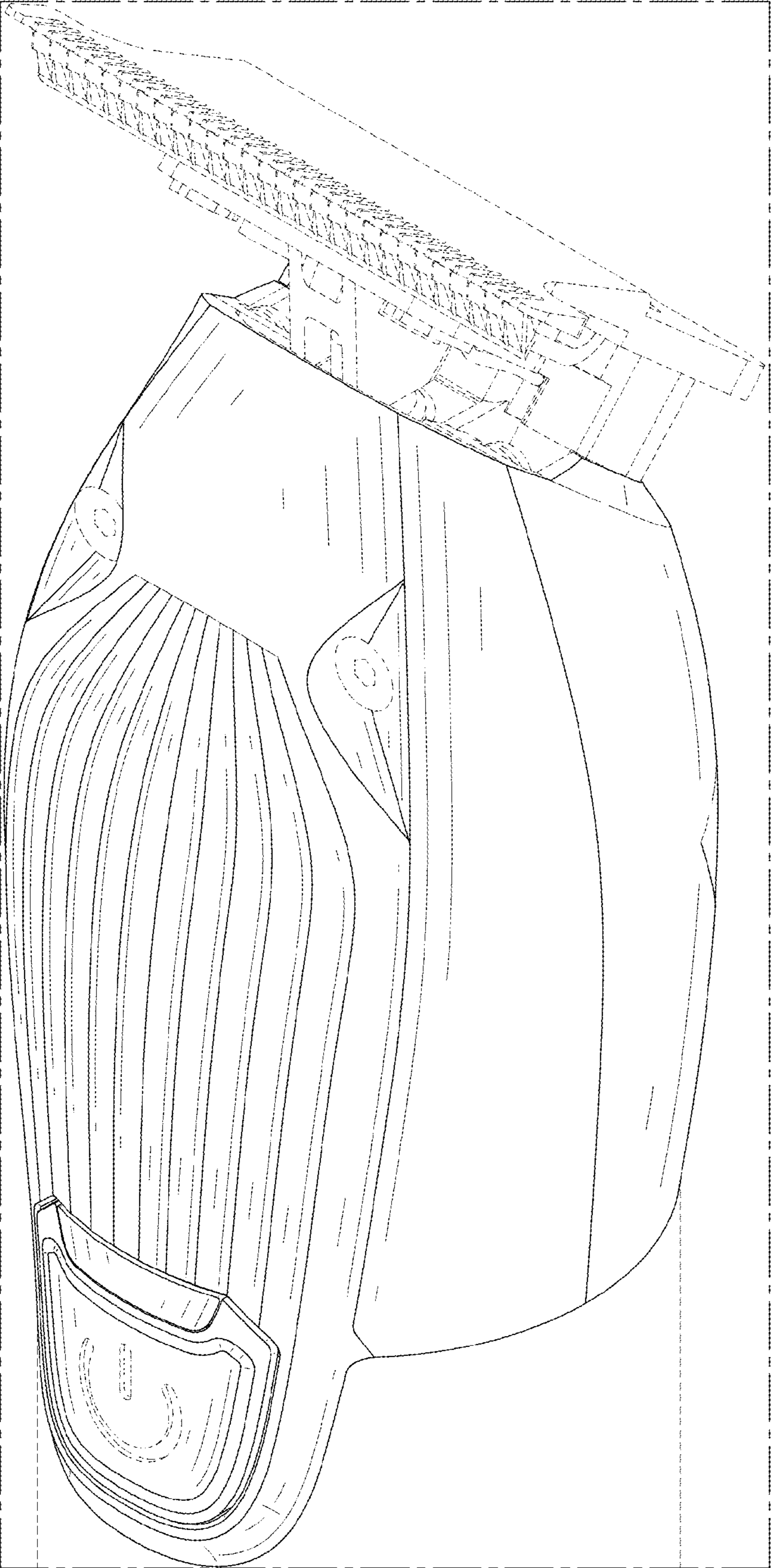


FIG. 9