

US00D922684S

(12) **United States Design Patent** (10) **Patent No.:** **US D922,684 S**
Sikora et al. (45) **Date of Patent:** **** Jun. 15, 2021**

(54) **PART OF A HAIR REMOVAL DEVICE**
(71) Applicant: **Braun GmbH**, Kronberg (DE)
(72) Inventors: **Bernhard Sikora**, Kelkheim (DE);
Wolfgang Stegmann, Frankfurt (DE)
(73) Assignee: **Braun GMBH**, Kronberg (DE)
(**) Term: **15 Years**
(21) Appl. No.: **29/682,831**
(22) Filed: **Mar. 8, 2019**

D722,199 S * 2/2015 Boulanger D28/53
D722,201 S * 2/2015 Boulanger
D724,271 S * 3/2015 Giannini D28/54
D733,358 S * 6/2015 Palmer D28/54
D836,841 S * 12/2018 de Belizal D28/53
D866,861 S * 11/2019 Dawson D28/53
D867,663 S * 11/2019 Boulanger D28/53
D868,377 S * 11/2019 Goeder D28/54
10,486,316 B2 * 11/2019 Erndt B26B 19/046
10,486,318 B2 * 11/2019 Bady B26B 19/3813
D872,366 S * 1/2020 Cociffi D28/53
D879,377 S * 3/2020 Dawson D28/54
10,702,999 B2 * 7/2020 Laccarino B26B 19/20
D897,601 S * 9/2020 Zhang D28/53
2012/0151774 A1 * 6/2012 Shimizu B26B 19/10
30/43.92

(Continued)

(30) **Foreign Application Priority Data**

Jan. 24, 2019 (WO) 970012457

(51) **LOC (13) Cl.** **28-03**
(52) **U.S. Cl.**
USPC **D28/54**
(58) **Field of Classification Search**
USPC D28/49-54
CPC B26B 19/00-08; B26B 19/10-12; B26B
19/20-24; B26B 19/26-265; B26B
19/38-3826; B26B 19/3873-3893; B26B
19/42

See application file for complete search history.

(56) **References Cited**

U.S. PATENT DOCUMENTS

D248,973 S 8/1978 Ito
D393,103 S 3/1998 Ullmann
D524,487 S 7/2006 Seki et al.
D531,439 S 11/2006 Kling
D628,745 S * 12/2010 Dingelstad D28/53
D657,912 S * 4/2012 Yoon D28/54
D675,378 S 1/2013 Boulanger
D689,242 S * 9/2013 Grades D28/54
D690,880 S * 10/2013 Grades D28/51
D696,460 S * 12/2013 Prat-Pfister D28/53
D711,594 S * 8/2014 Palmer D28/54
D713,994 S * 9/2014 Grabes D28/54

OTHER PUBLICATIONS

https://www.amazon.co.uk/Braun-EasyClick-Attachment-Electric-Generation/dp/B0872FDH5F/ref=cm_cr_ar_p_d_product_top?ie=UTF8 Braun Easyclick, www.amazon.co.uk, 1 page, reviewed as early as Aug. 2020 (Year: 2020).*

Primary Examiner — Jennifer Rivard
(74) *Attorney, Agent, or Firm* — Kevin C. Johnson

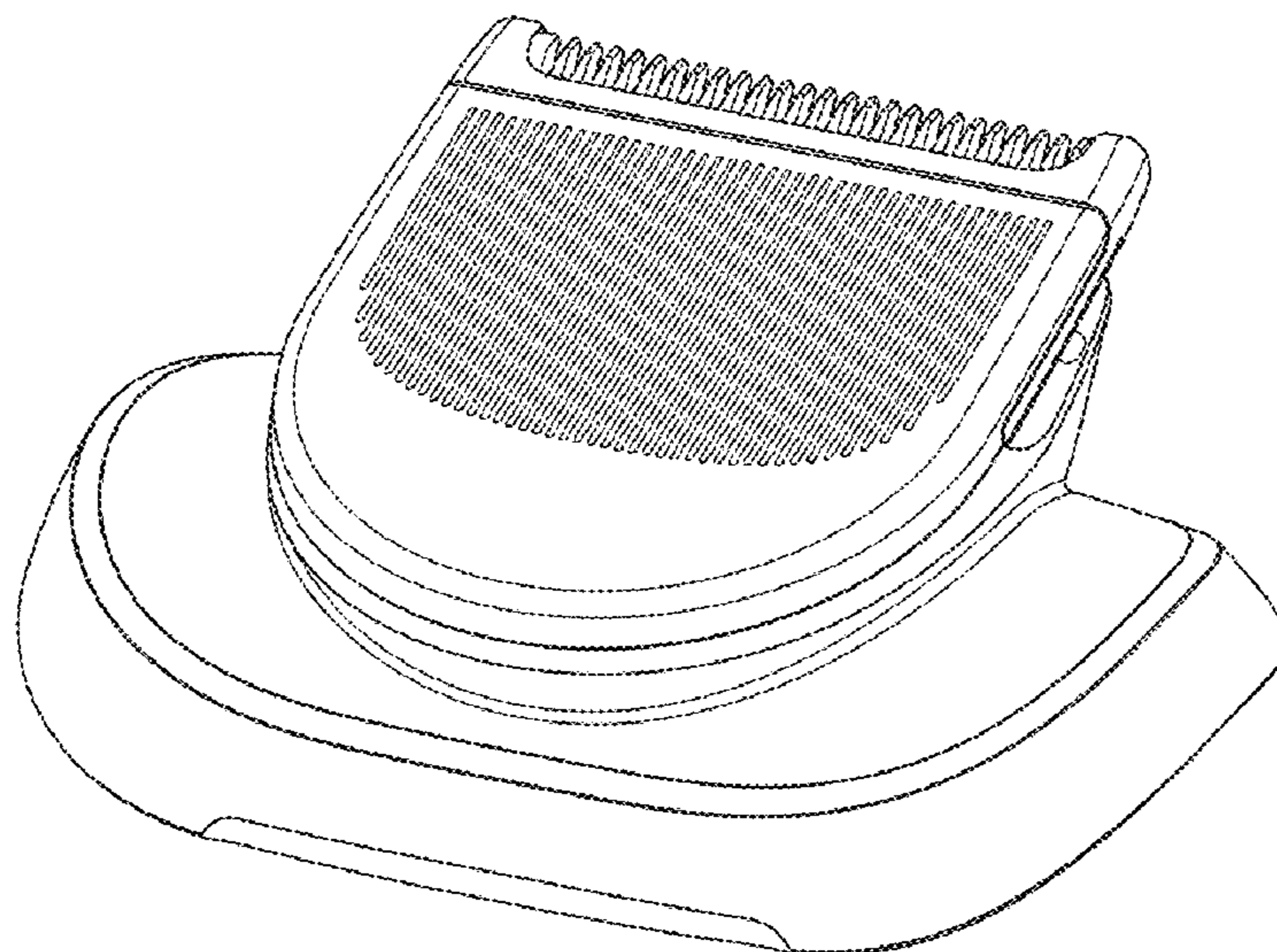
(57) **CLAIM**

The ornamental design for a part of a hair removal device, as shown and described.

DESCRIPTION

FIG. 1 is a perspective view of a part of a hair removal device;
FIG. 2 is a front view thereof;
FIG. 3 is a right side view thereof;
FIG. 4 is a rear view thereof;
FIG. 5 is a left side view thereof;
FIG. 6 is a top plan view thereof; and,
FIG. 7 is a bottom view thereof.

1 Claim, 7 Drawing Sheets



(56)

References Cited

U.S. PATENT DOCUMENTS

2015/0314461 A1* 11/2015 Man Wong B26B 19/06
30/43.91
2018/0085940 A1* 3/2018 Krauss B26B 19/284
2018/0085945 A1* 3/2018 Bady B26B 19/143
2019/0009418 A1* 1/2019 Baltussen B26B 19/3826

* cited by examiner

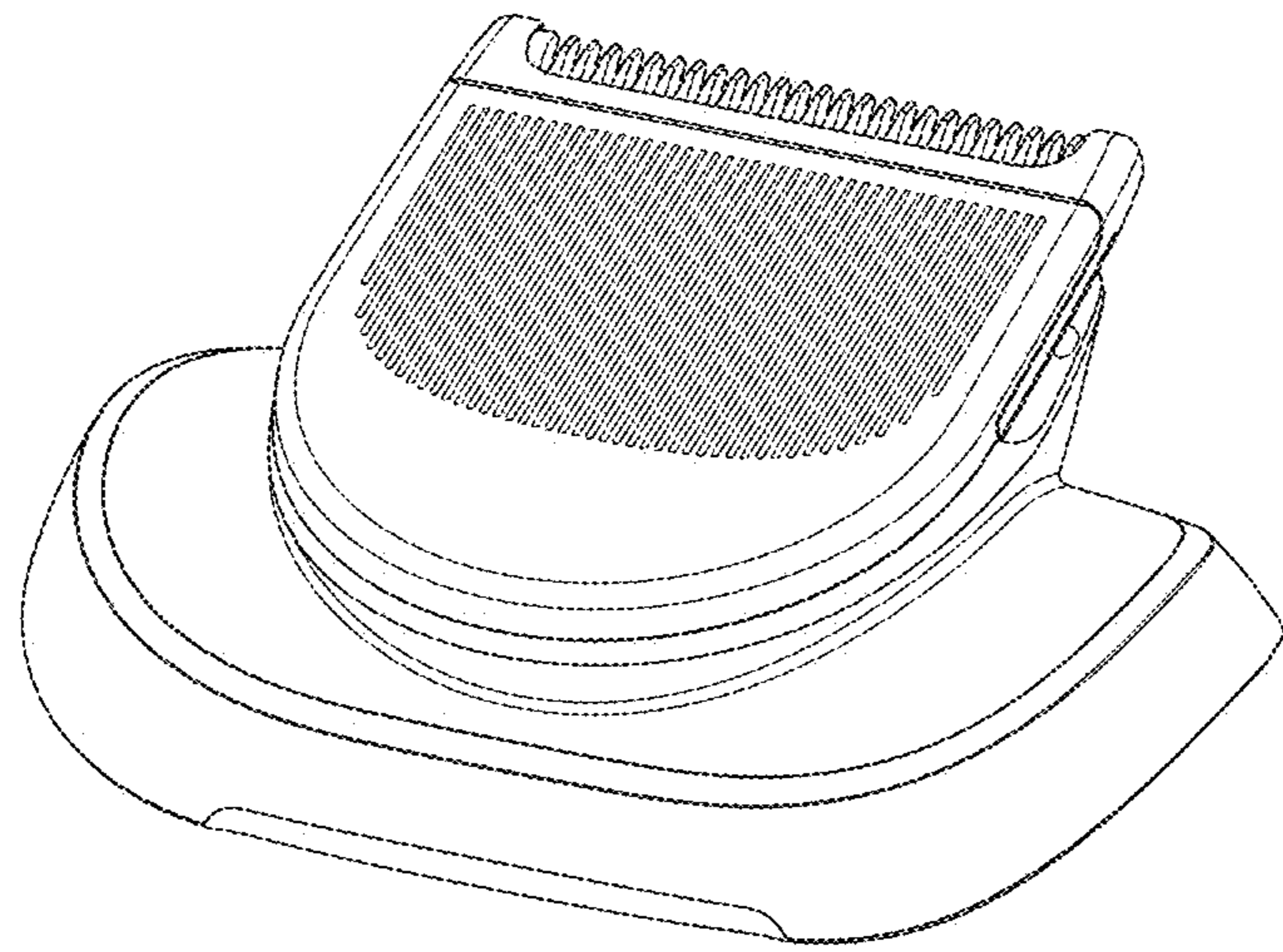


Figure 1

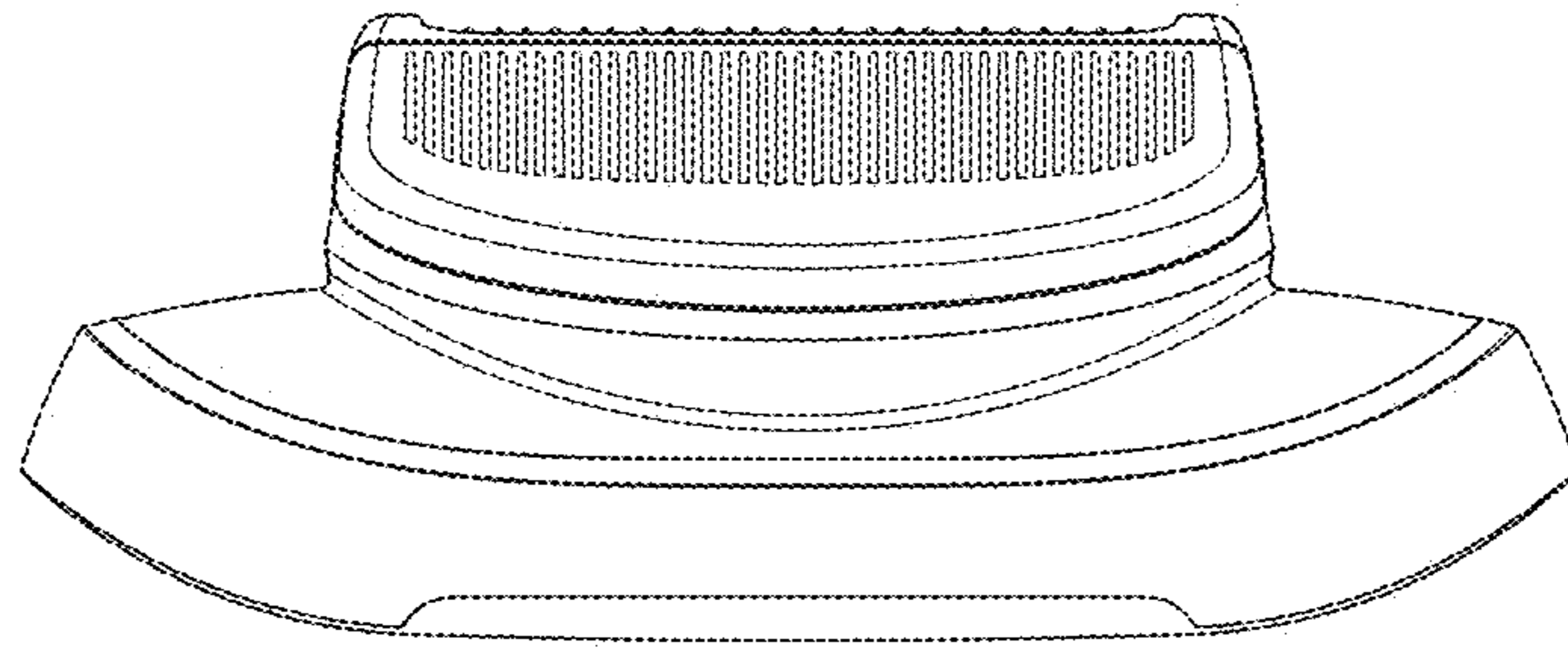


Figure 2

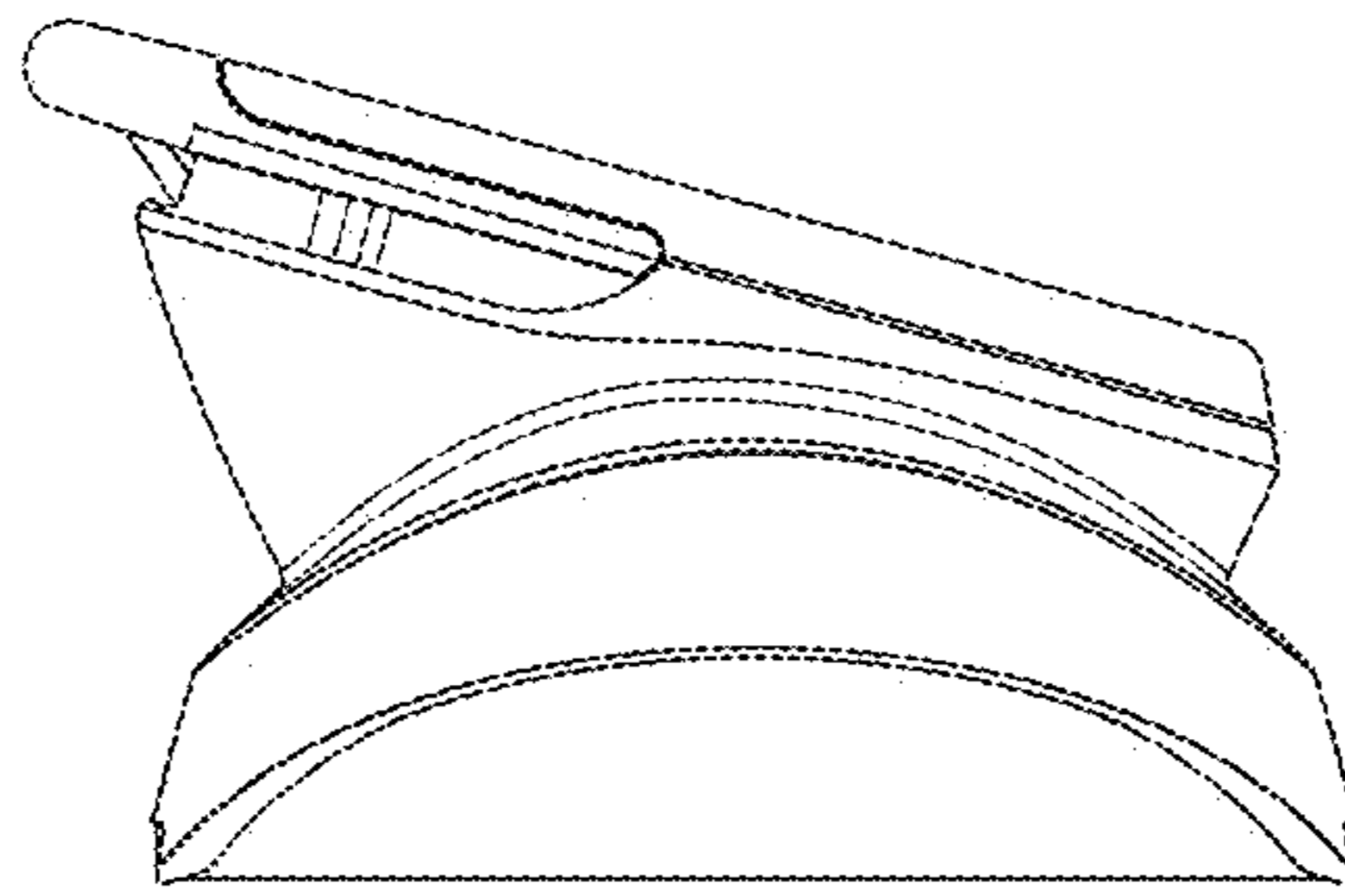


Figure 3

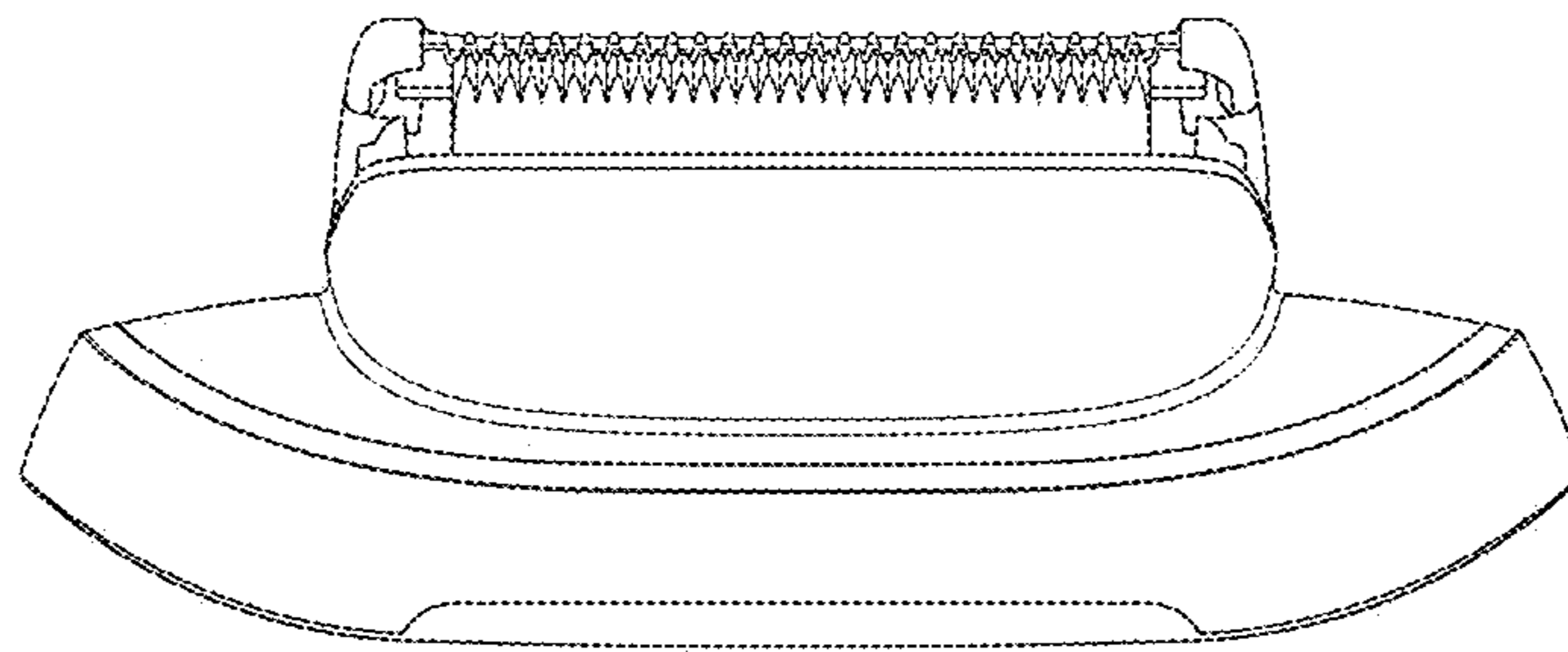


Figure 4

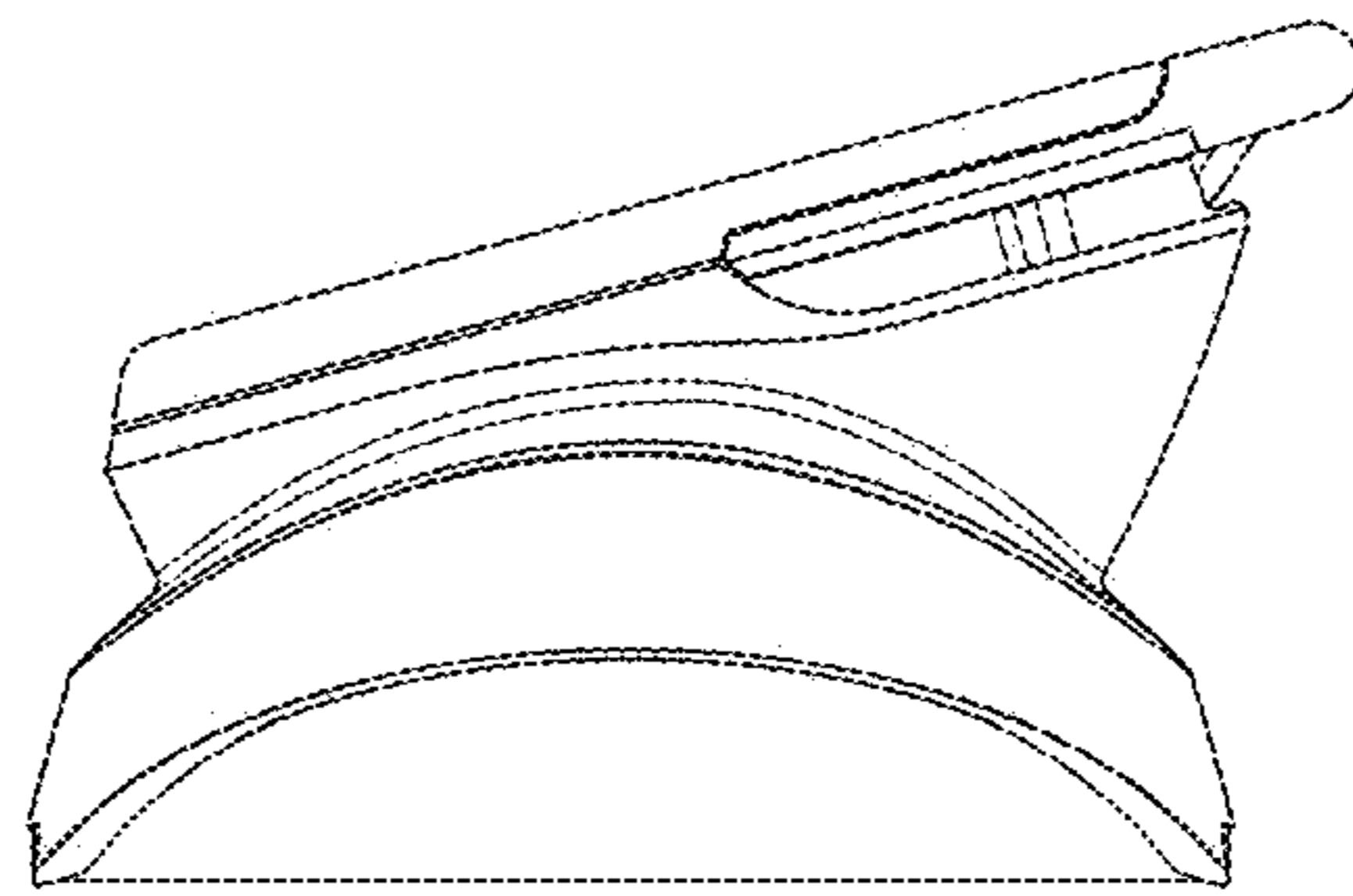


Figure 5

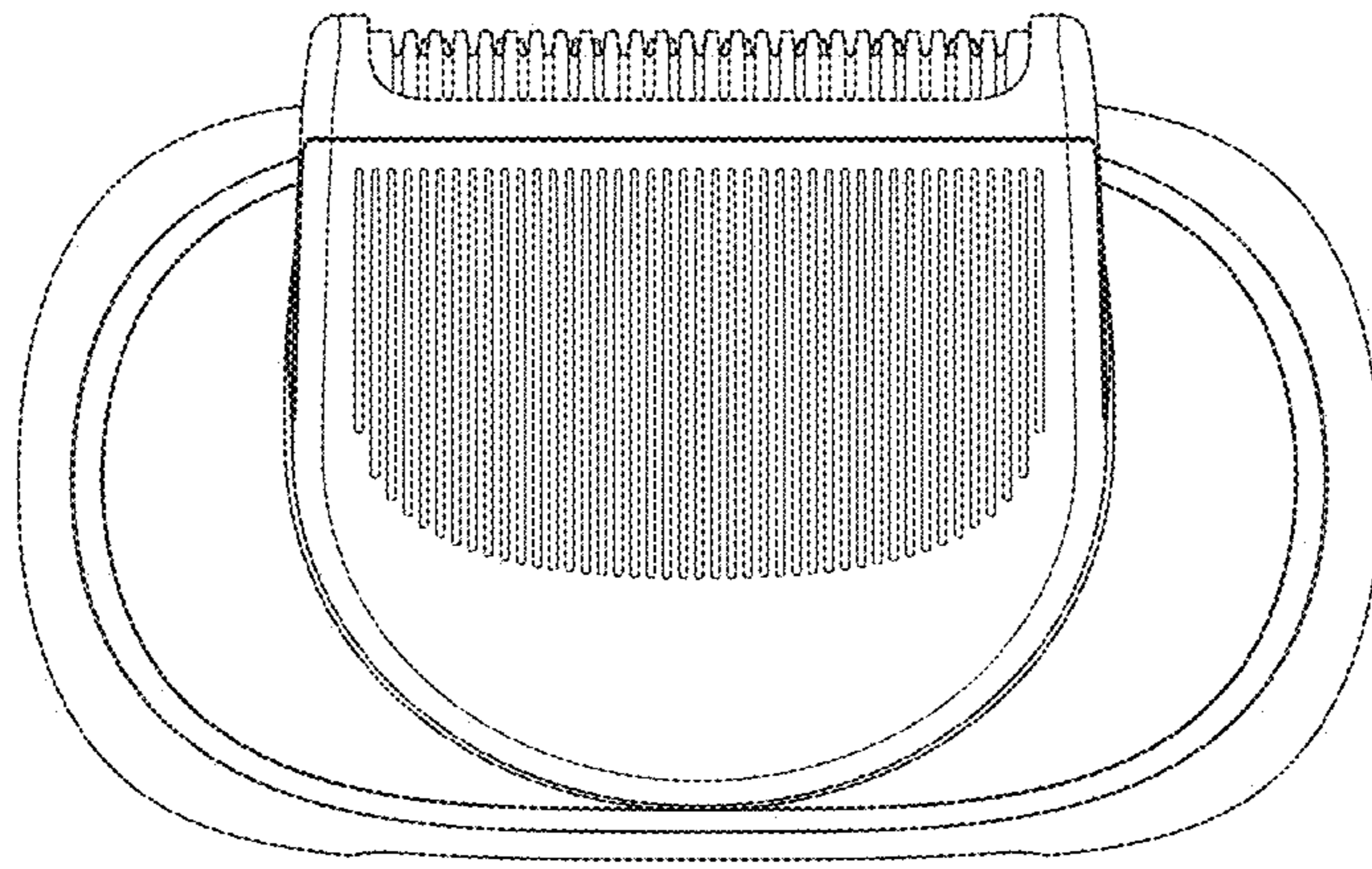


Figure 6

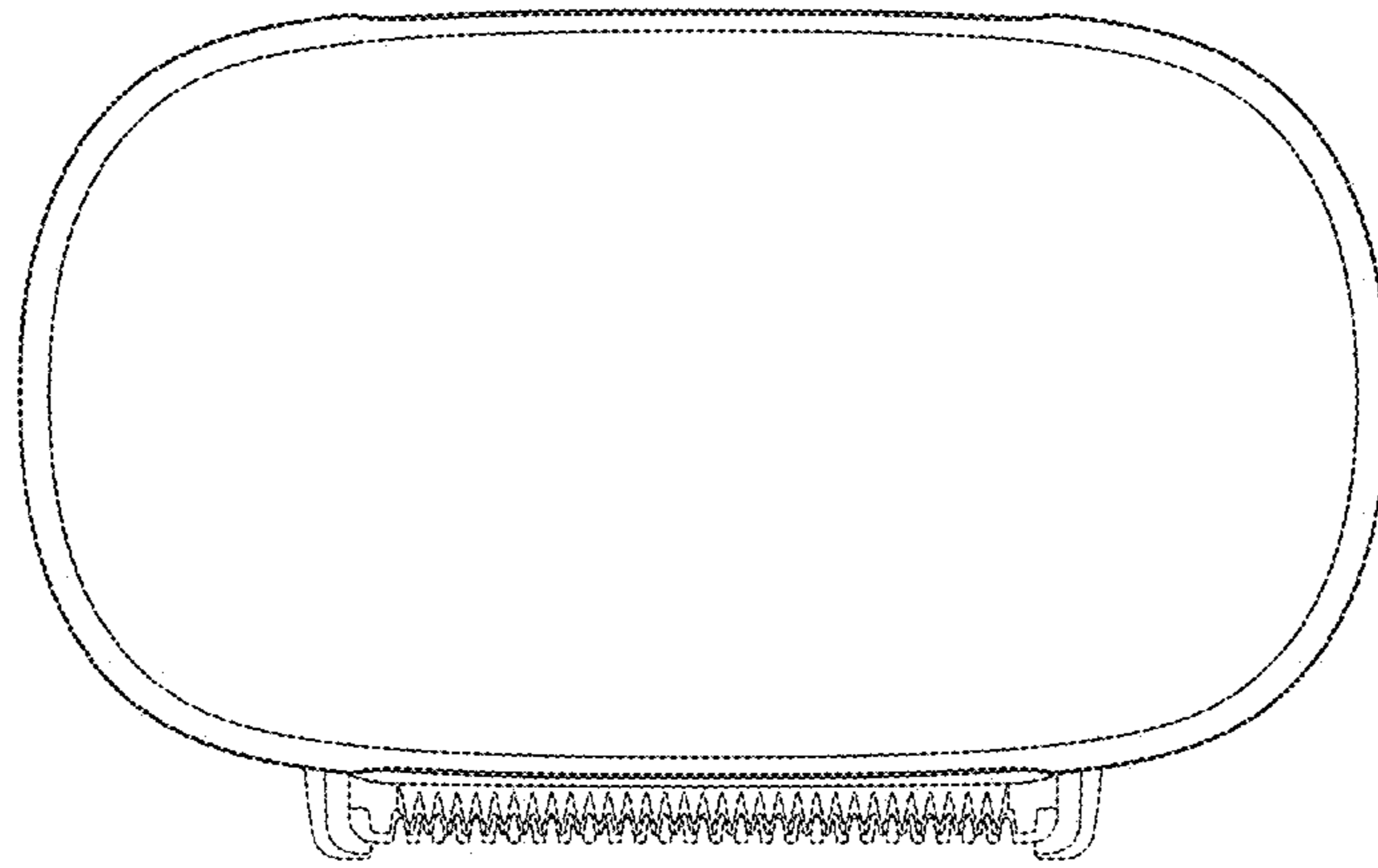


Figure 7