



US00D922683S

(12) **United States Design Patent**  
**Jeong**

(10) **Patent No.:** **US D922,683 S**  
(45) **Date of Patent:** **\*\* Jun. 15, 2021**

(54) **NOSE TRIMMER**

FOREIGN PATENT DOCUMENTS

(71) Applicant: **Royal Metal Industrial Co., LTD.**,  
Bucheon-si (KR)

DE 202016005179 U1 \* 9/2016 ..... A45D 26/0071  
FR 797039 A \* 4/1936 ..... B26B 19/148

(72) Inventor: **Suk June Jeong**, Seongnam-si (KR)

OTHER PUBLICATIONS

(73) Assignee: **Royal Metal Industrial Co., LTD.**,  
Bucheon-si (KR)

Royal Gold Nose hair trimmer [Made in Korea] www.amazon.com,  
1 page, reviewed as early as Jun. 29, 2020 (Year: 2020).\*

(\*\*) Term: **15 Years**

\* cited by examiner

(21) Appl. No.: **29/697,216**

*Primary Examiner* — Jennifer Rivard

(22) Filed: **Jul. 5, 2019**

(74) *Attorney, Agent, or Firm* — Novick, Kim & Lee,  
PLLC; Jae Youn Kim

(51) **LOC (13) Cl.** ..... **28-03**

(52) **U.S. Cl.**  
USPC ..... **D28/52**

(57) **CLAIM**

(58) **Field of Classification Search**  
USPC ..... D28/49–54  
CPC ..... B26B 19/148; B26B 19/14–146  
See application file for complete search history.

The ornamental design for a nose trimmer, as shown and  
described.

**DESCRIPTION**

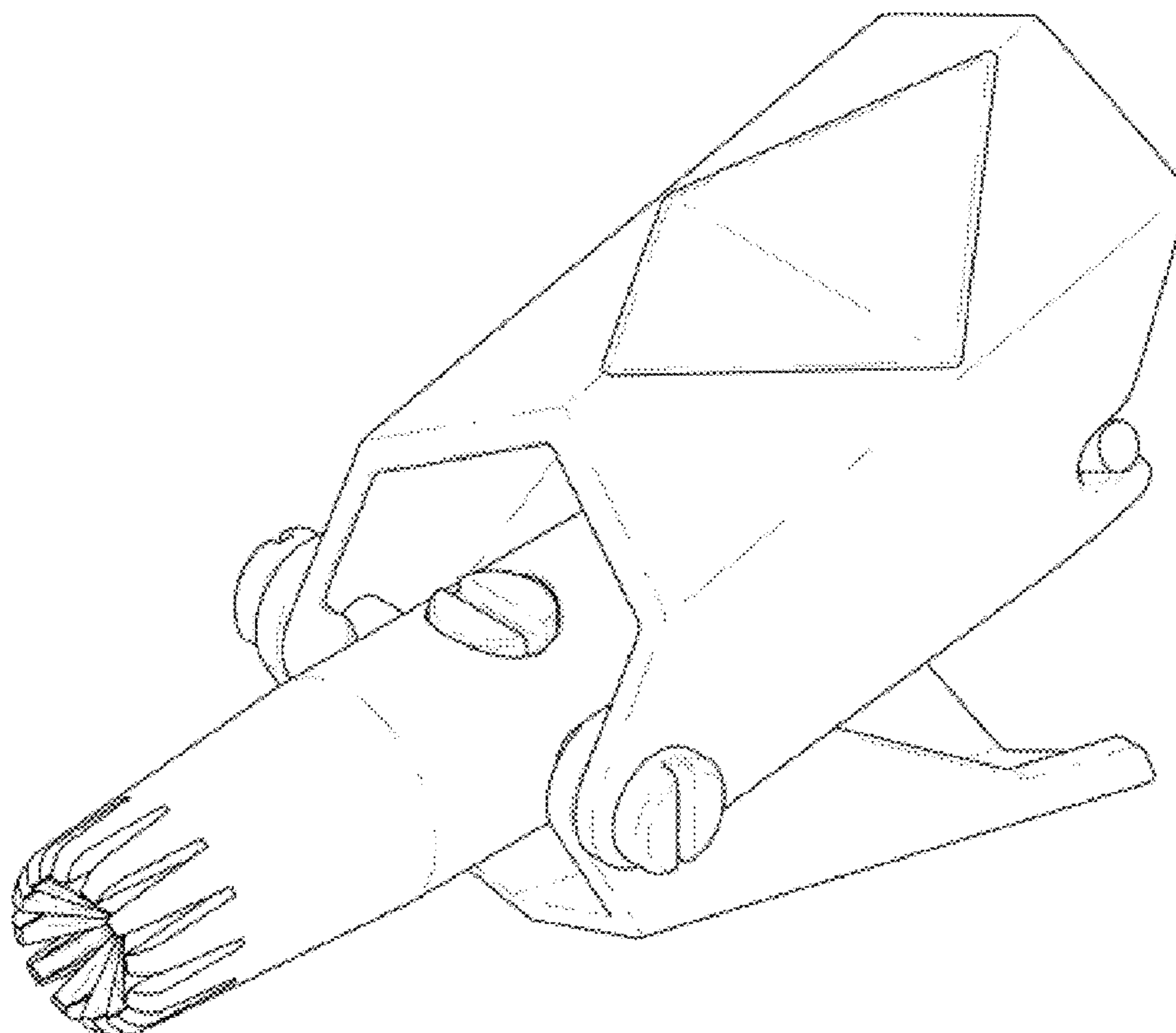
(56) **References Cited**

FIG. 1 is a perspective view of a nose trimmer showing my  
new design;  
FIG. 2 is a front elevational view thereof;  
FIG. 3 is a rear elevational view thereof;  
FIG. 4 is a left side elevational view thereof;  
FIG. 5 is a right side elevational view thereof;  
FIG. 6 is a top plan view thereof; and,  
FIG. 7 is a bottom plan view thereof.

U.S. PATENT DOCUMENTS

2,801,465 A \* 8/1957 Cason ..... B26B 19/148  
30/29.5  
D376,670 S \* 12/1996 Bellm ..... D28/53  
7,013,566 B1 \* 3/2006 Bellm ..... B26B 19/148  
30/29.5  
2016/0082608 A1 \* 3/2016 Li ..... B26B 19/148  
30/29.5

**1 Claim, 7 Drawing Sheets**



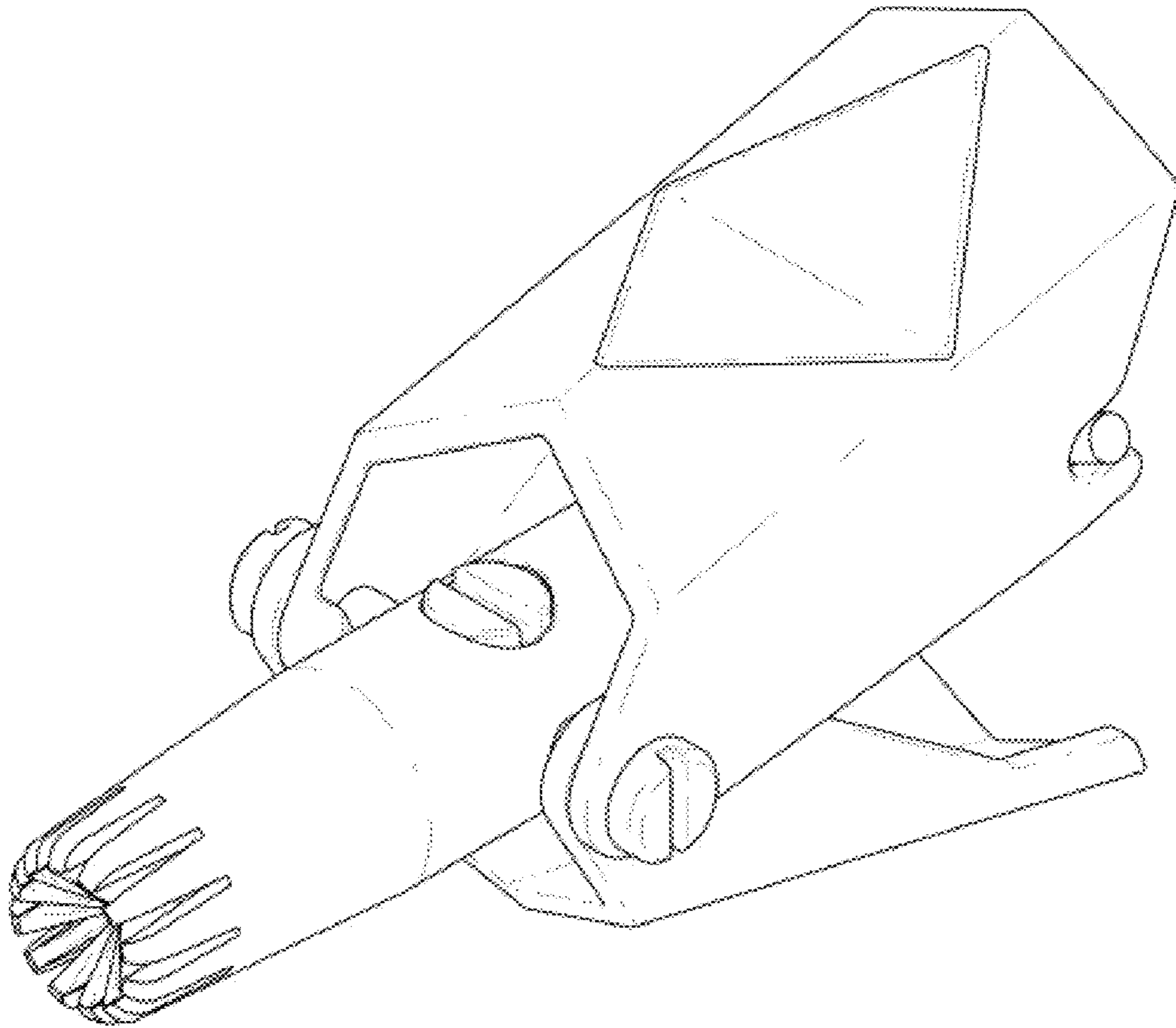
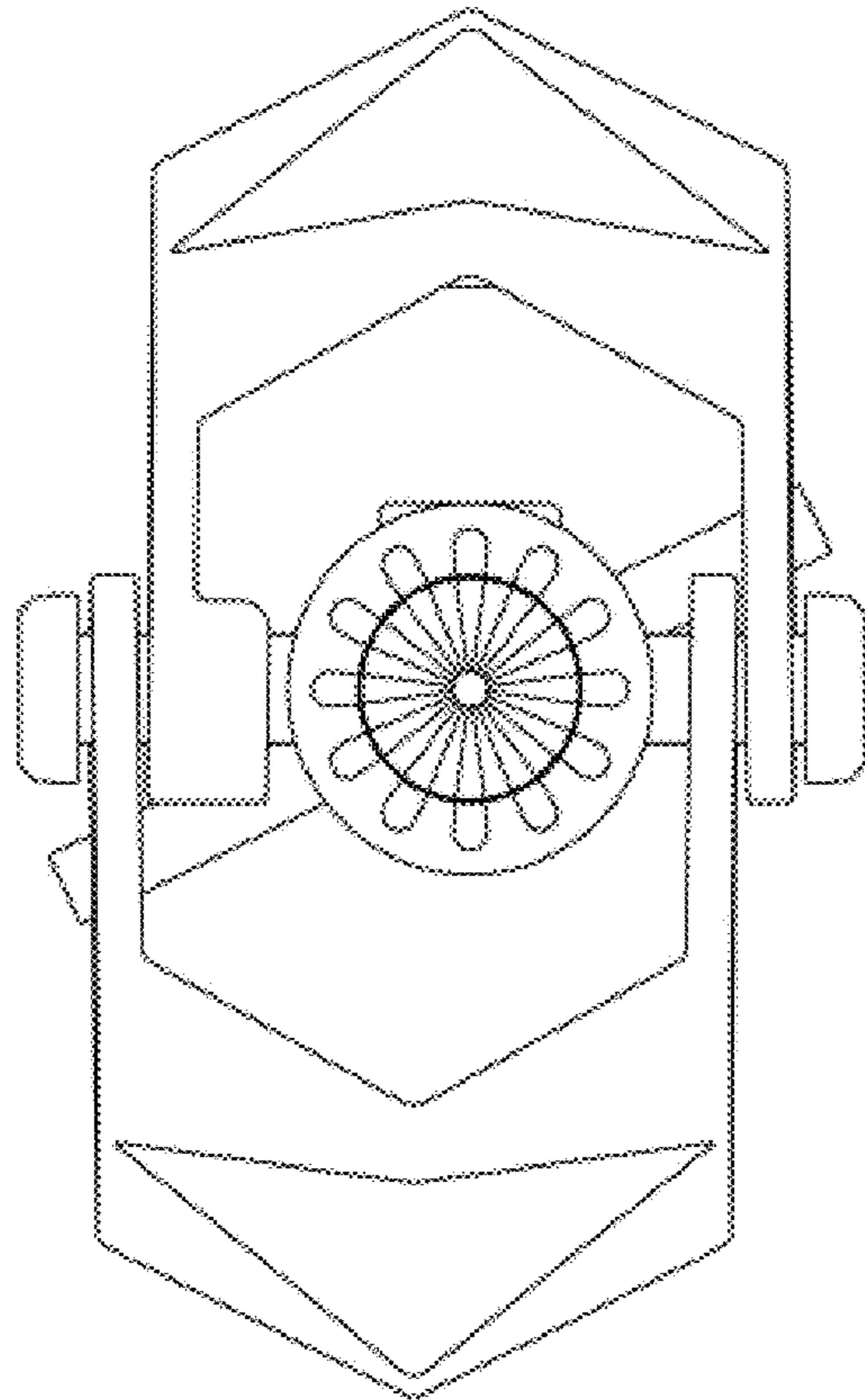
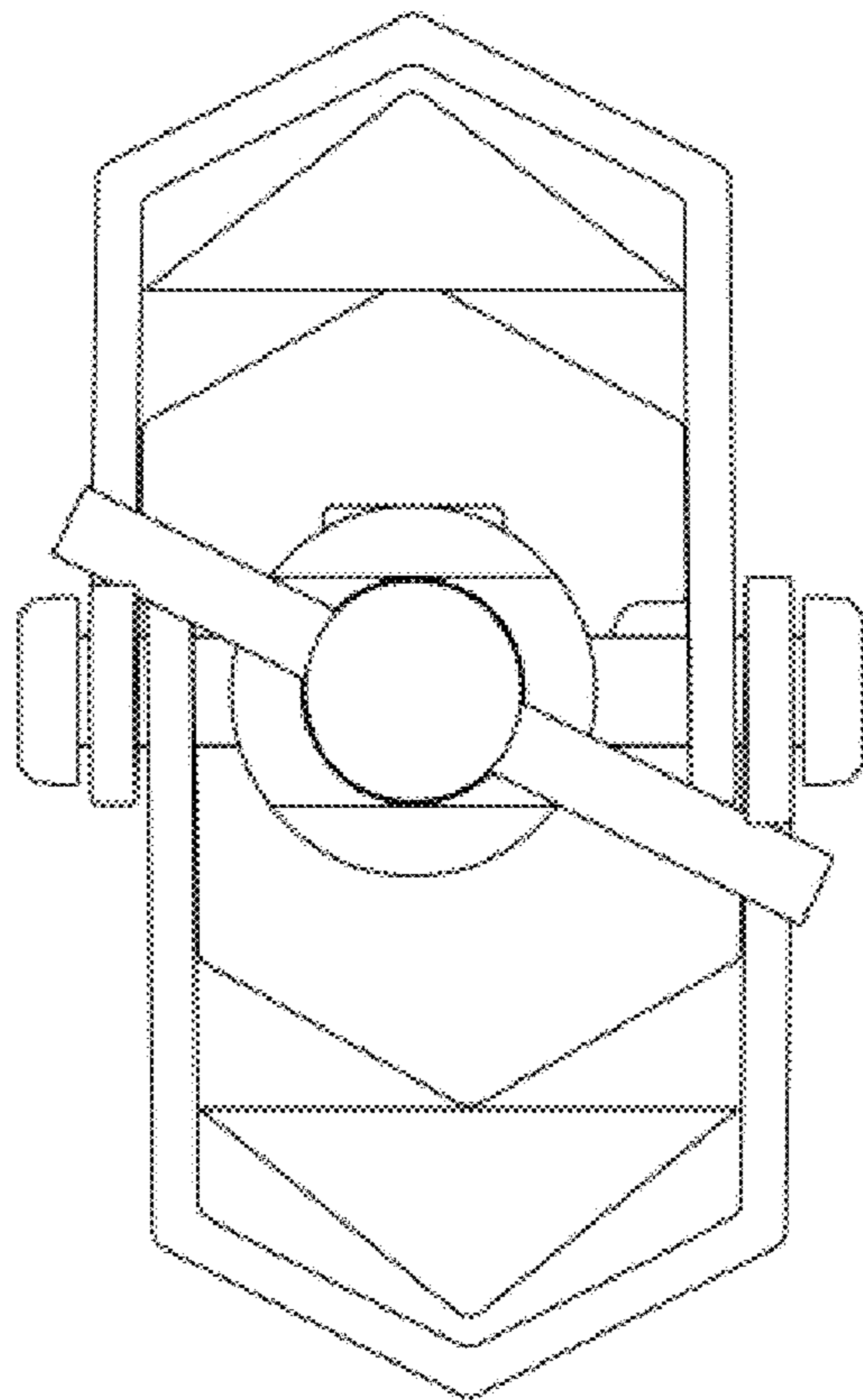


FIG. 1



**FIG. 2**



**FIG. 3**

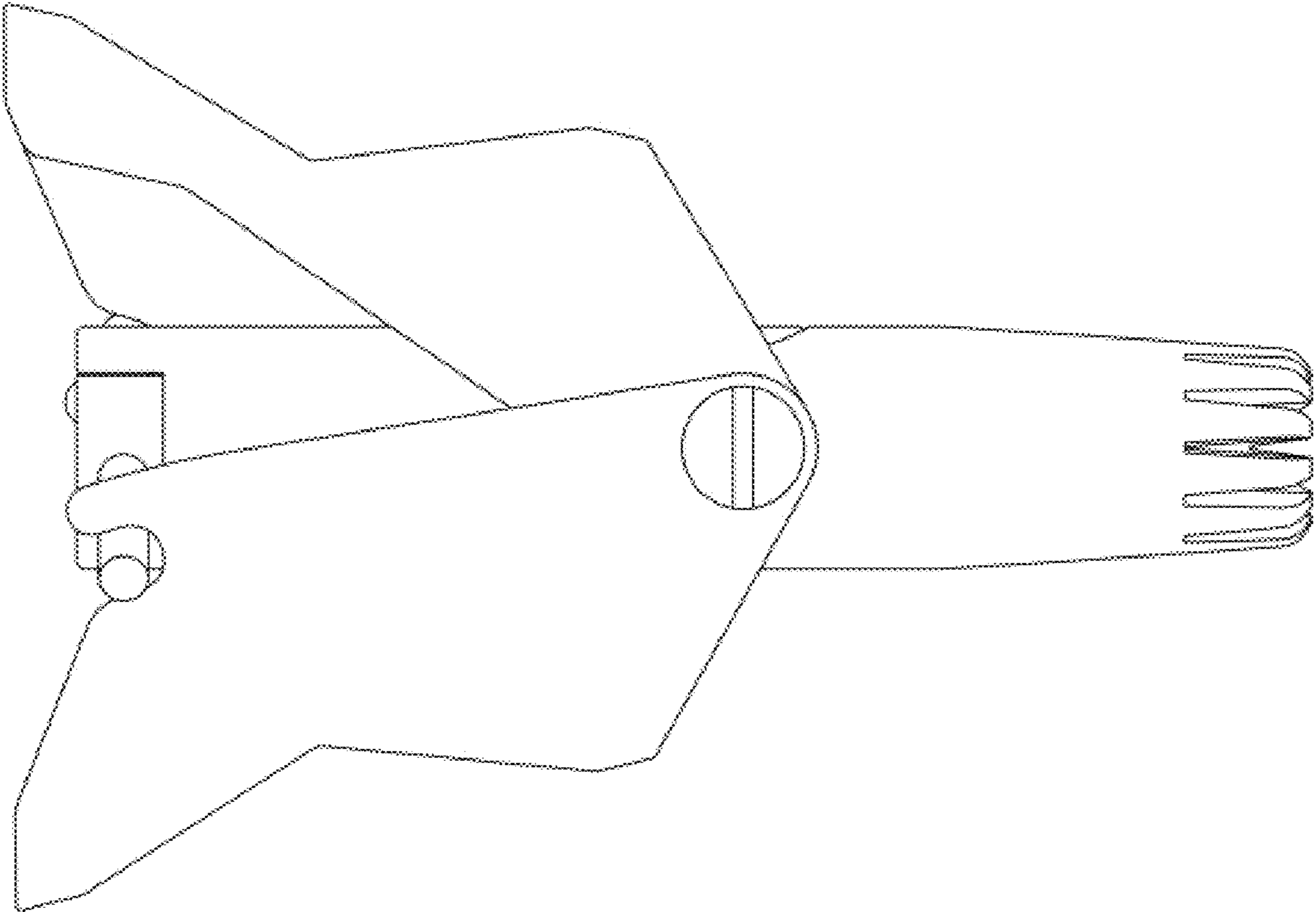


FIG. 4

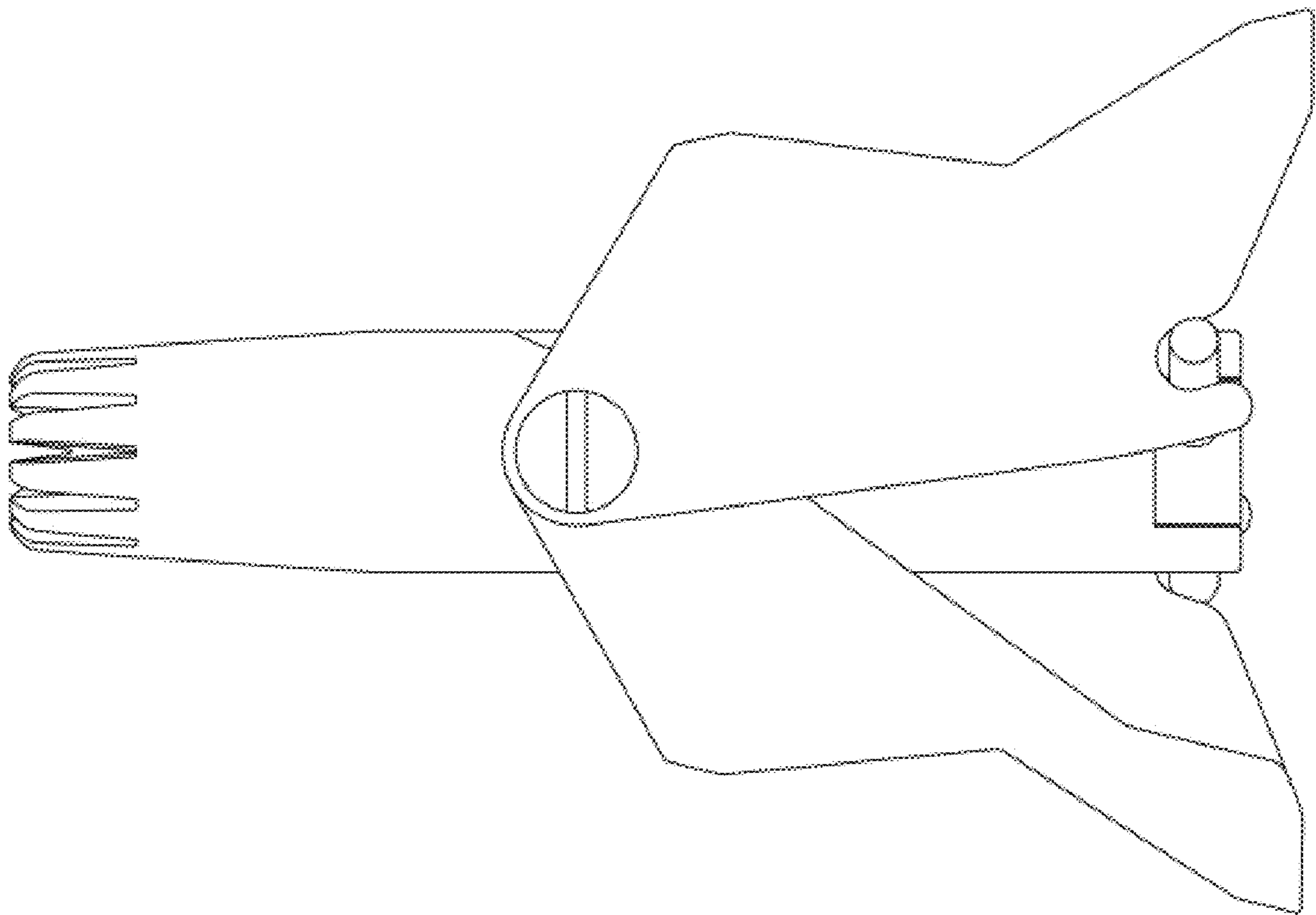


FIG. 5

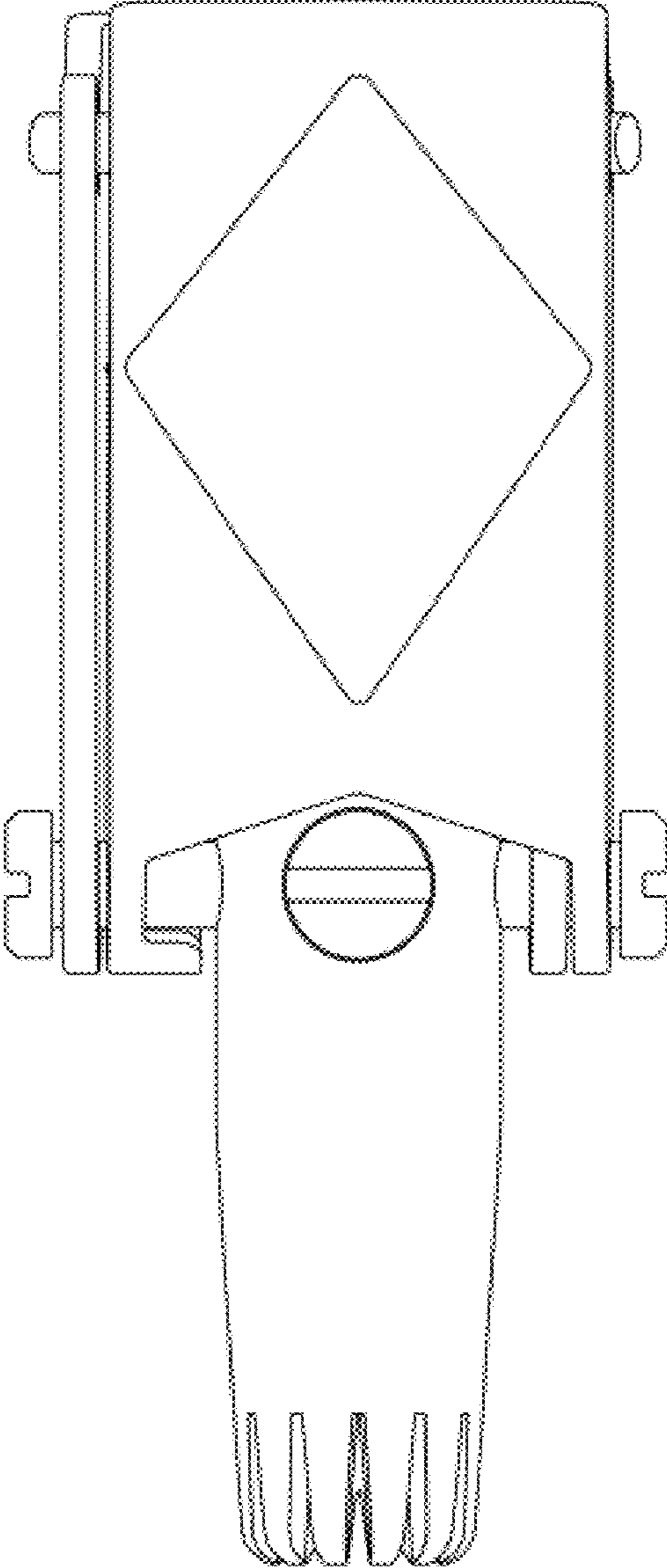


FIG. 6

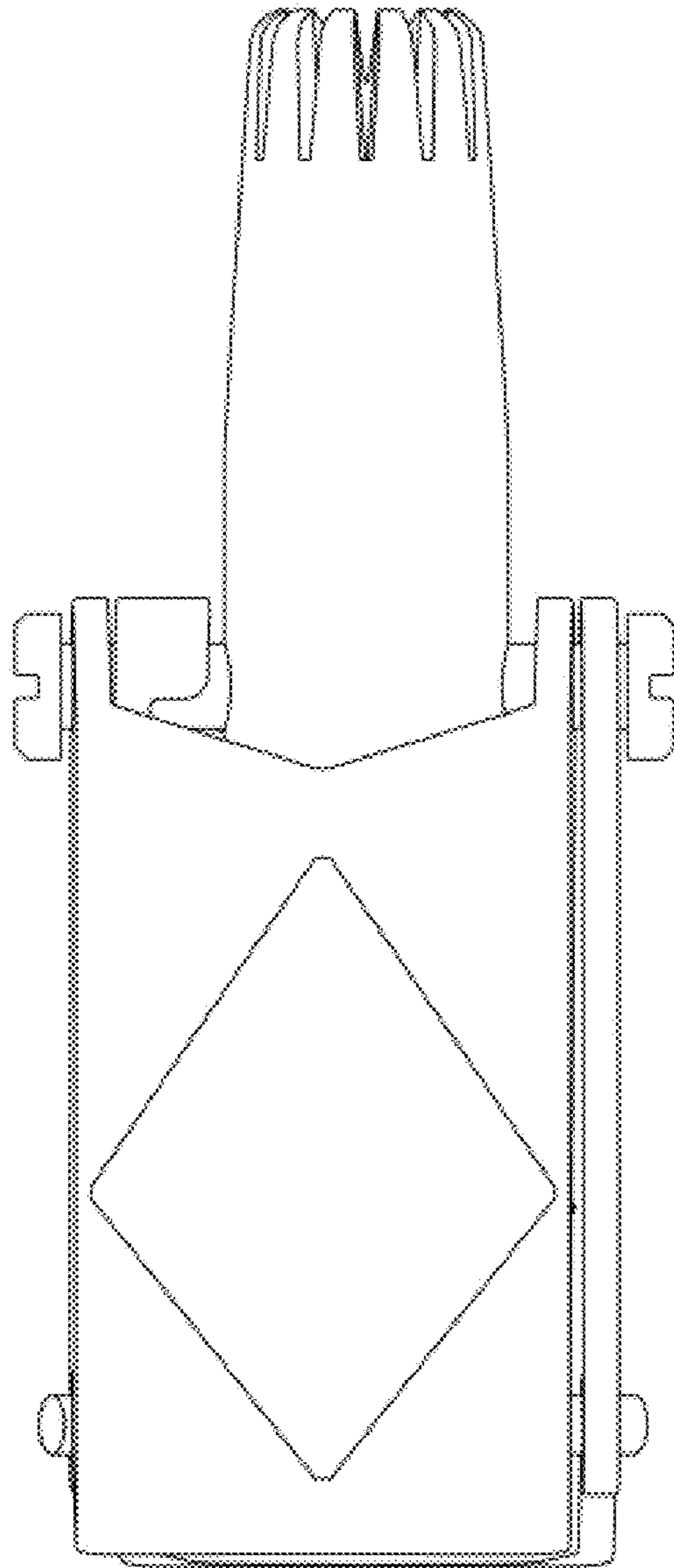


FIG. 7