



US00D922680S

(12) **United States Design Patent**
Kurthy

(10) **Patent No.:** **US D922,680 S**
(45) **Date of Patent:** **** Jun. 15, 2021**

(54) **CIGAR CASE WITH A HUMIDITY PACK SLOT**

(74) *Attorney, Agent, or Firm* — QuickPatents, LLC;
Kevin Prince

(71) Applicant: **Rodger Kurthy**, Coto de Caza, CA
(US)

(57) **CLAIM**

The ornamental design for a cigar case with a humidity pack slot, as shown and described.

(72) Inventor: **Rodger Kurthy**, Coto de Caza, CA
(US)

DESCRIPTION

(73) Assignee: **Perfec Cigar Solutions, Inc.**

FIG. 1 is a bottom perspective view of a cigar case with a humidity pack slot, showing a first embodiment of my new design;

(**) Term: **15 Years**

FIG. 2 is a partially exploded perspective view of FIG. 1 shown in an environment of use;

(21) Appl. No.: **29/758,027**

FIG. 3 is an exploded top perspective view of FIG. 1; FIG. 4 is an exploded top plan view of FIG. 1 shown with each component side by side and environment removed for clarity of disclosure;

(22) Filed: **Nov. 11, 2020**

(51) **LOC (13) Cl.** **27-06**

(52) **U.S. Cl.**
USPC **D27/183**

FIG. 5 is a bottom plan view thereof; FIG. 6 is a left-side elevational view thereof; FIG. 7 is a front elevational view thereof; FIG. 8 is a rear elevational view thereof;

(58) **Field of Classification Search**
USPC D27/100, 101, 102, 103, 104, 105, 106, D27/107, 108, 109, 110, 111, 112, 117, D27/118, 121, 122, 123, 124, 125, 126, D27/127, 128, 129, 130, 131, 133, 134, D27/135, 136, 137, 138, 172, 174, 175,
(Continued)

FIG. 9 is a bottom perspective view of a second embodiment thereof;

(56) **References Cited**

U.S. PATENT DOCUMENTS

D15,424 S * 9/1884 Guerrant D27/100
D29,056 S * 7/1898 Weiss D27/189
(Continued)

FIG. 10 is a partially exploded perspective view of FIG. 9 shown in an environment of use;

OTHER PUBLICATIONS

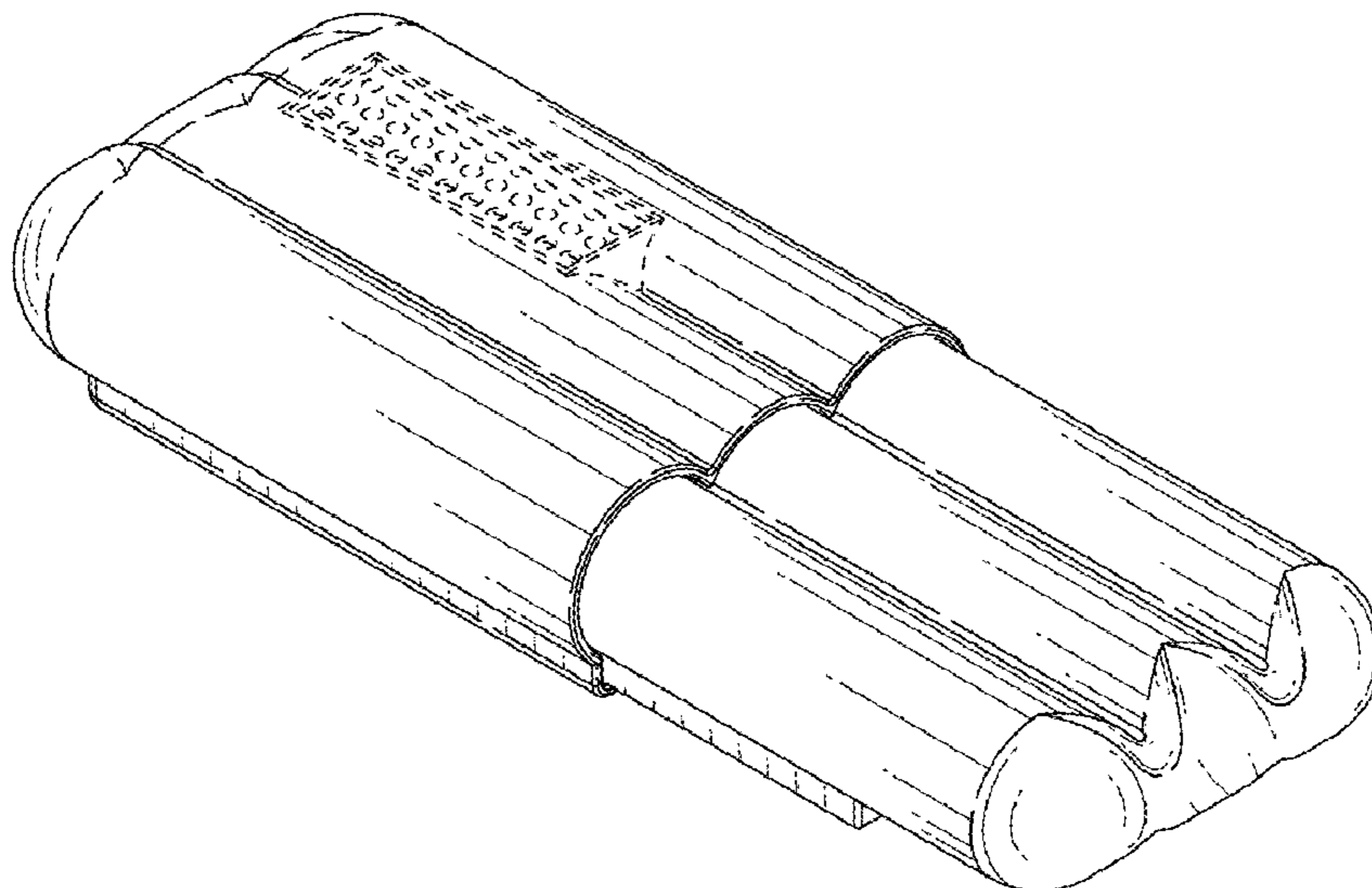
Three Finger Cigar Cases. By David Clough. Dated Sep./Oct. 2019. Found online [Dec. 30, 2020]. <https://www.cigaraficionado.com/article/three-finger-cigar-cases> (Year: 2019).*

FIG. 11 is an exploded top perspective view of FIG. 9; FIG. 12 is an exploded top plan view of FIG. 9 shown with each component side by side and environment removed for clarity of disclosure;

Primary Examiner — Marissa J Cash
Assistant Examiner — William B Melliar

FIG. 13 is a bottom plan view thereof; FIG. 14 is a left-side elevational view thereof; FIG. 15 is a front elevational view thereof; and, FIG. 16 is a rear elevational view thereof.
The broke lines illustrated in FIGS. 1-5, 7, 9-13, and 15 depict portions of the cigar case with a humidity pack slot that form no part of the claimed design. The additional broken lines illustrated in FIGS. 2, 3, 10, and 11 depict a cigar and humidity pack as environmental subject matter only that form no part of the claimed design.

1 Claim, 8 Drawing Sheets



(58) **Field of Classification Search**

USPC D27/176, 177, 178, 179, 180, 181, 182,
 D27/183, 184, 185, 186, 187, 188, 189,
 D27/190, 191, 192, 193, 194, 195;
 D7/665, 666, 679, 680, 682, 683, 685,
 D7/686, 372, 381, 414; D8/51, 52, 54,
 D8/58; D19/101, 102, 106
 CPC A24F 13/22; A24F 13/24; A24F 15/04;
 A24F 19/0071; A24F 13/08; A24F 15/00;
 A24F 13/16; A24F 15/20; A24F 13/02;
 A24F 13/26; A24F 19/0035; A24F 13/06;
 A24F 15/10; A24F 15/12; A24F 19/0064;
 A24F 13/18; A24F 19/00; A24F 19/10;
 A24F 25/02; A24F 47/00; A24F 13/10;
 A24F 15/18; A24F 19/06; F21V 33/00;
 F23Q 7/00; F23Q 2/32; B65D 85/109;
 B65D 85/12; B65D 2577/042; B65D
 77/0486; A63B 57/50; A63B 55/408;
 A63B 57/203; A63B 2102/32; A63B
 2209/00; A63B 2210/50; A63B 47/00;
 A63B 57/20; A63B 55/10; B60N 3/12;
 B60N 3/083; A24C 5/34; A24C 1/38;
 A24C 1/386; A24D 3/04; A24D 3/166;
 A24D 1/12; A24D 1/00; A24D 1/002;
 A24D 1/08; B60R 11/00; B62J 11/00;
 B62J 9/00; A42B 1/24; A45F 2200/0566;
 A45F 5/02; B62B 2202/404; B62B 3/10;
 Y10T 24/20; Y10T 24/203; Y10T 24/204;
 Y10T 70/7876; Y10T 29/49881; Y10T
 29/49998; Y10T 29/53691; Y10T
 83/9314; B43K 29/00; B43L 23/08; B67B

7/16; E05B 19/00; F24F 6/10; Y10S
 206/811; B25B 21/007; B25B 23/10;
 B25B 23/141; C09K 11/7734

See application file for complete search history.

(56)

References Cited

U.S. PATENT DOCUMENTS

D35,522	S	*	12/1901	Du Brul	D15/136
D47,437	S	*	6/1915	Saart	D27/186
D268,785	S	*	4/1983	Sommers	D24/226
D274,950	S	*	7/1984	Zeischegg	D27/133
4,465,184	A	*	8/1984	Bruce	A24F 15/20 206/256
D383,495	S	*	9/1997	Mollet	D19/77
D386,812	S	*	11/1997	Schmidt	D27/187
5,832,934	A	*	11/1998	Schmidt	A24F 13/24 131/329
D427,433	S	*	7/2000	Leibeck	D27/189
6,279,581	B1	*	8/2001	Knepper	A24F 15/18 131/290
D535,054	S	*	1/2007	Zilberman	D27/189
D550,398	S	*	9/2007	Goldberg	D27/137
D573,303	S	*	7/2008	Fuente	D27/189
D595,454	S	*	6/2009	Fuente	D27/189
D596,350	S	*	7/2009	Fuente	D27/189
D596,788	S	*	7/2009	Fuente	D27/189
D618,392	S	*	6/2010	LoRe	D27/172
D732,360	S	*	6/2015	Reeder	D8/19
D766,751	S	*	9/2016	Reeder	D10/64
D822,898	S	*	7/2018	Ruiz	D27/191
D825,098	S	*	8/2018	Fornarelli	D27/101
D869,088	S	*	12/2019	Kesselman	D27/194
D870,524	S	*	12/2019	Burch, V	D8/16

* cited by examiner

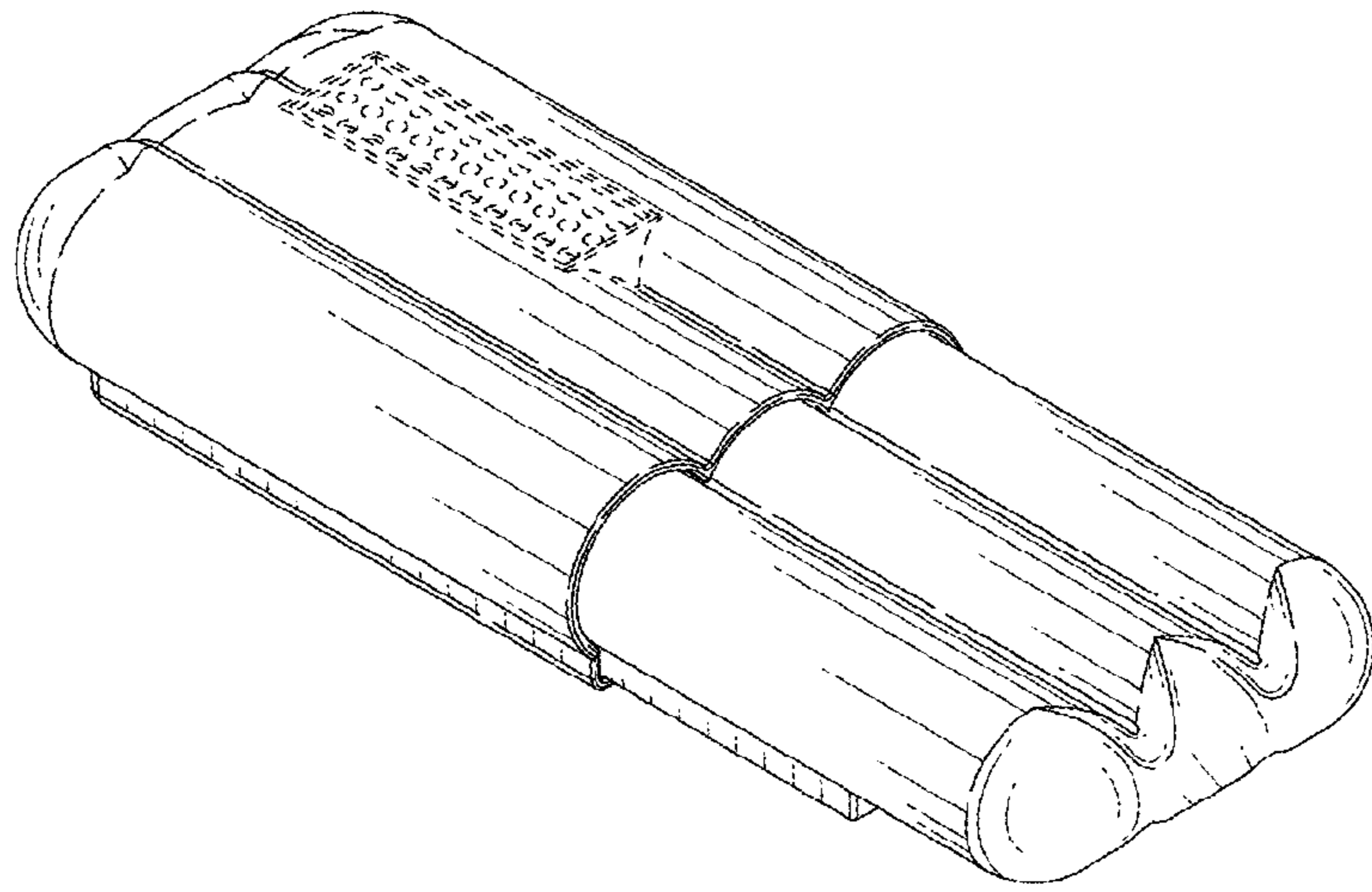


FIG. 1

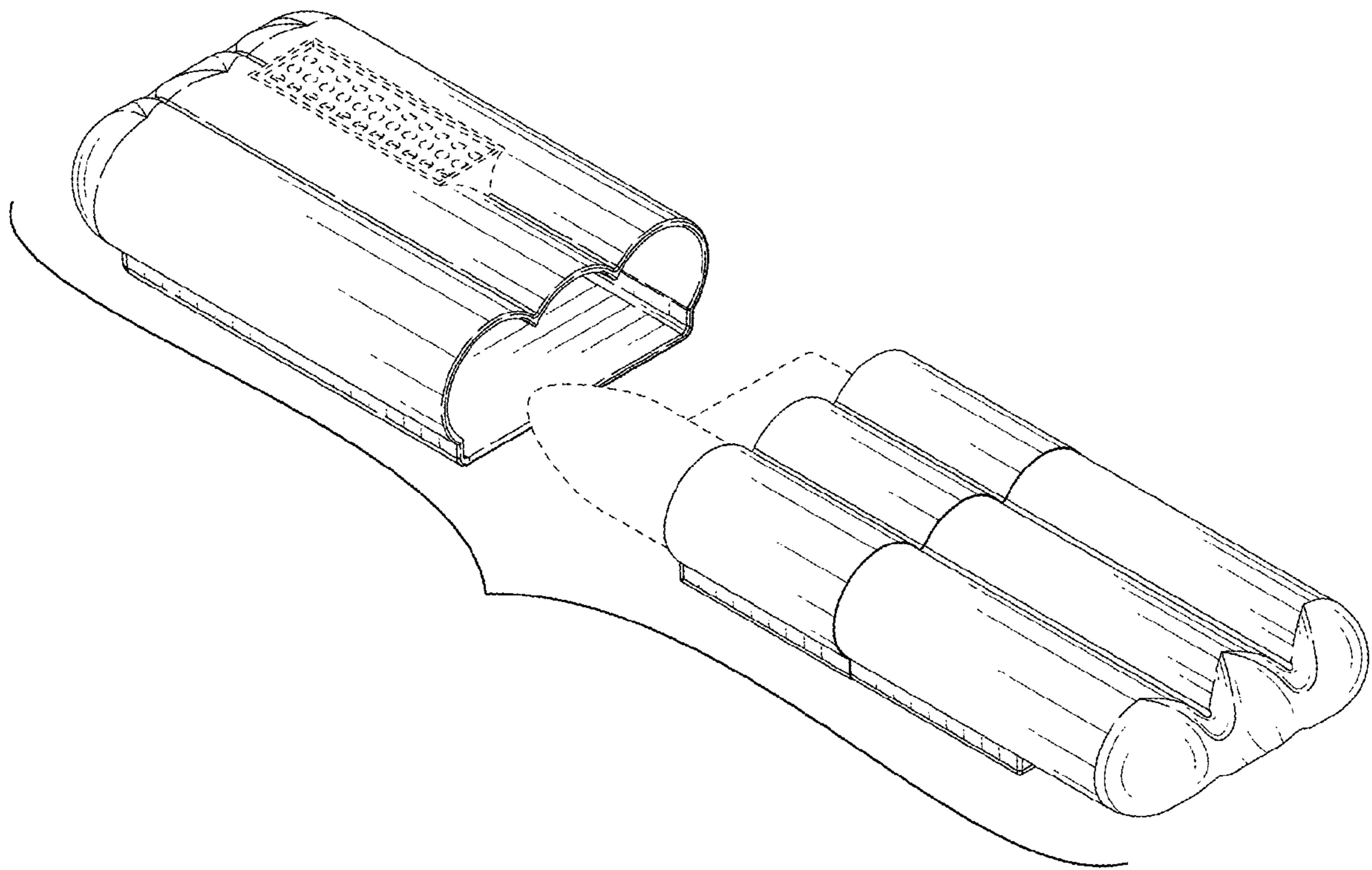


FIG. 2

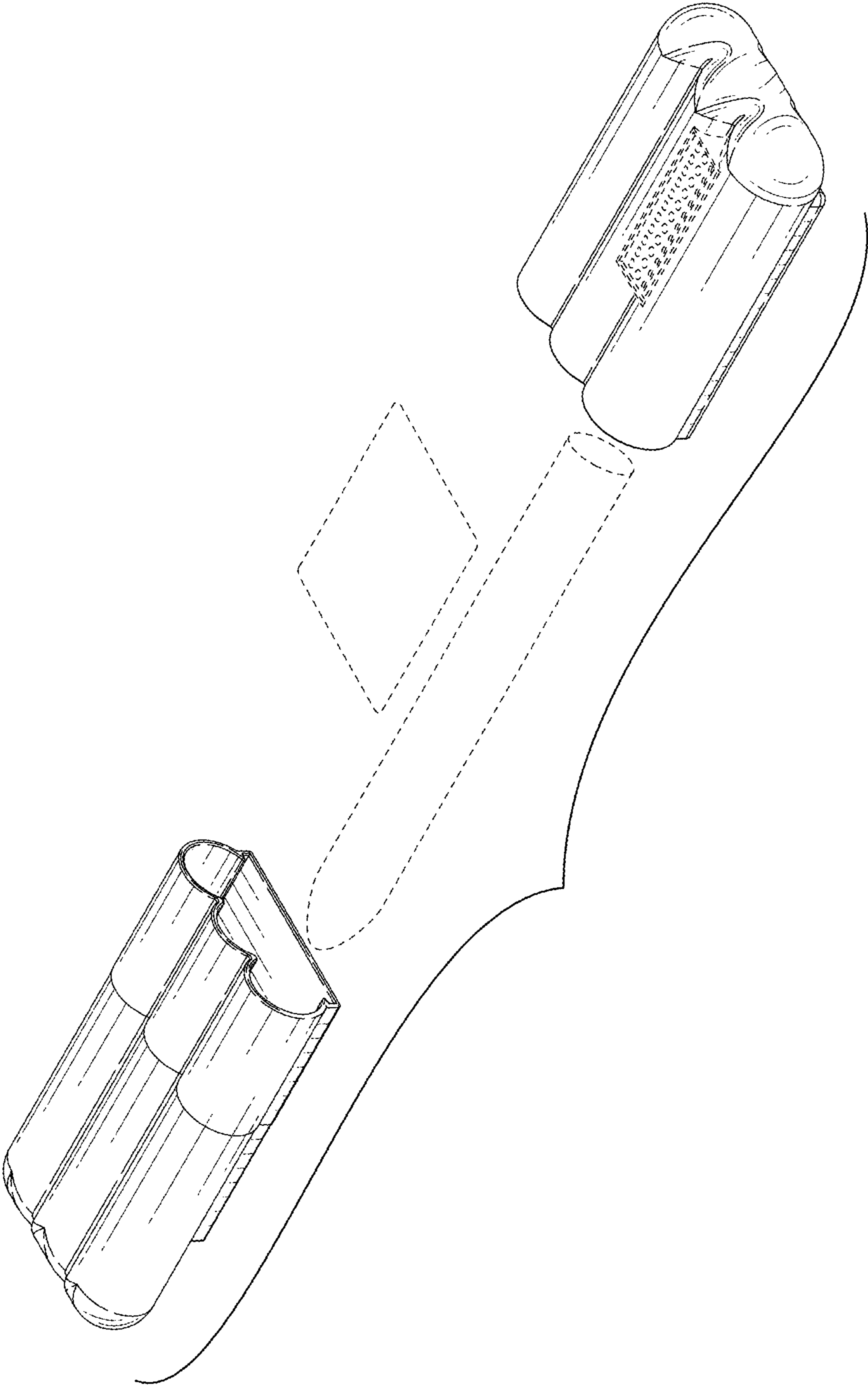


FIG. 3

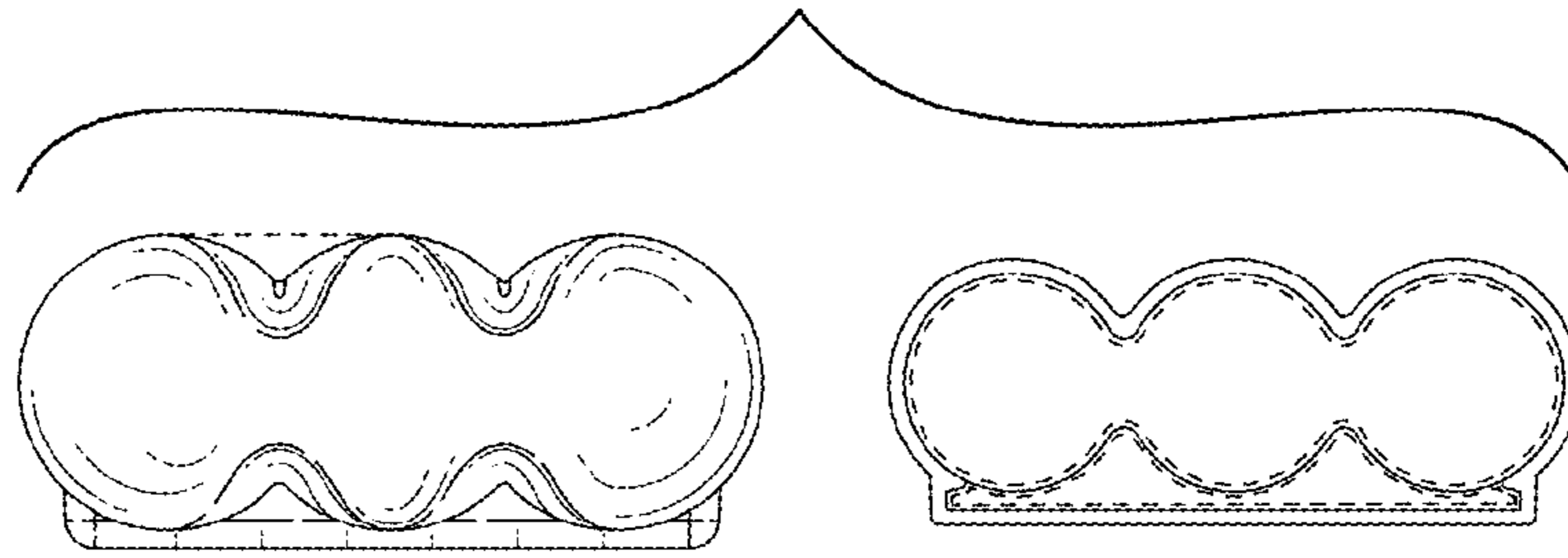


FIG. 4

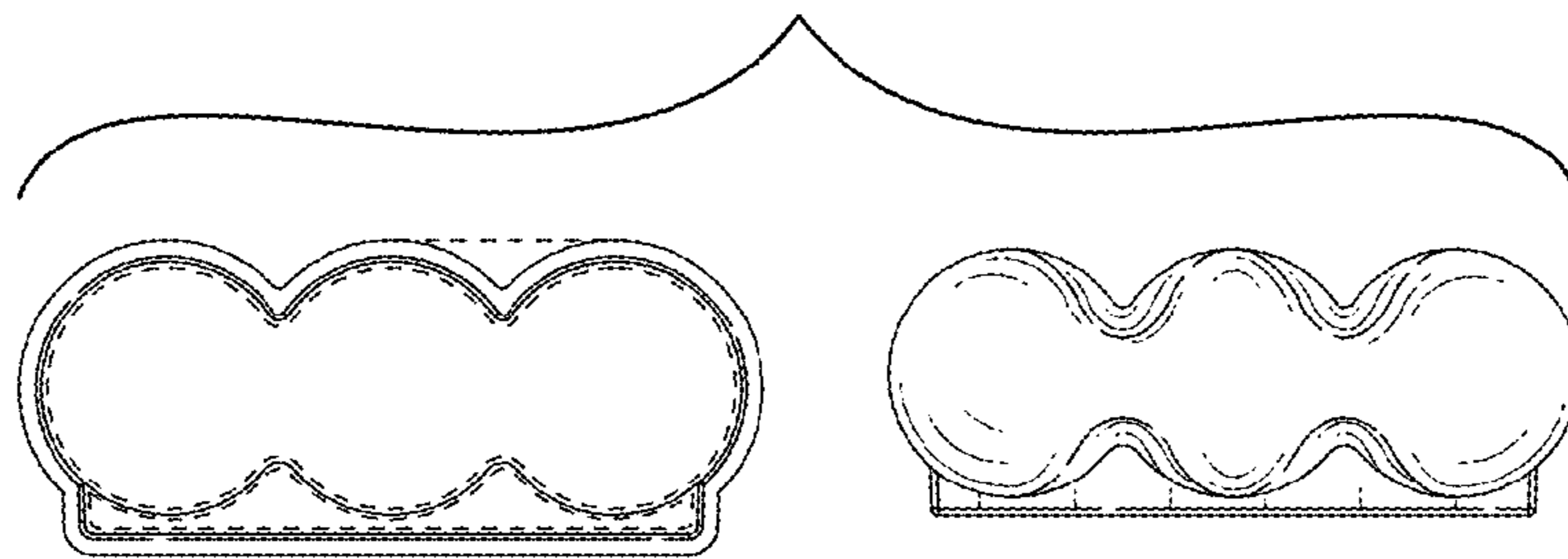


FIG. 5

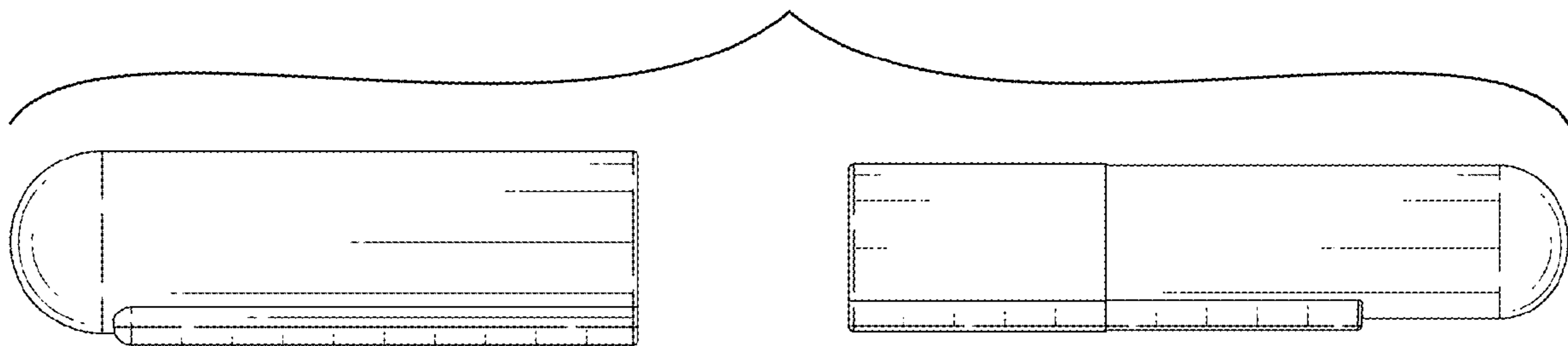


FIG. 6

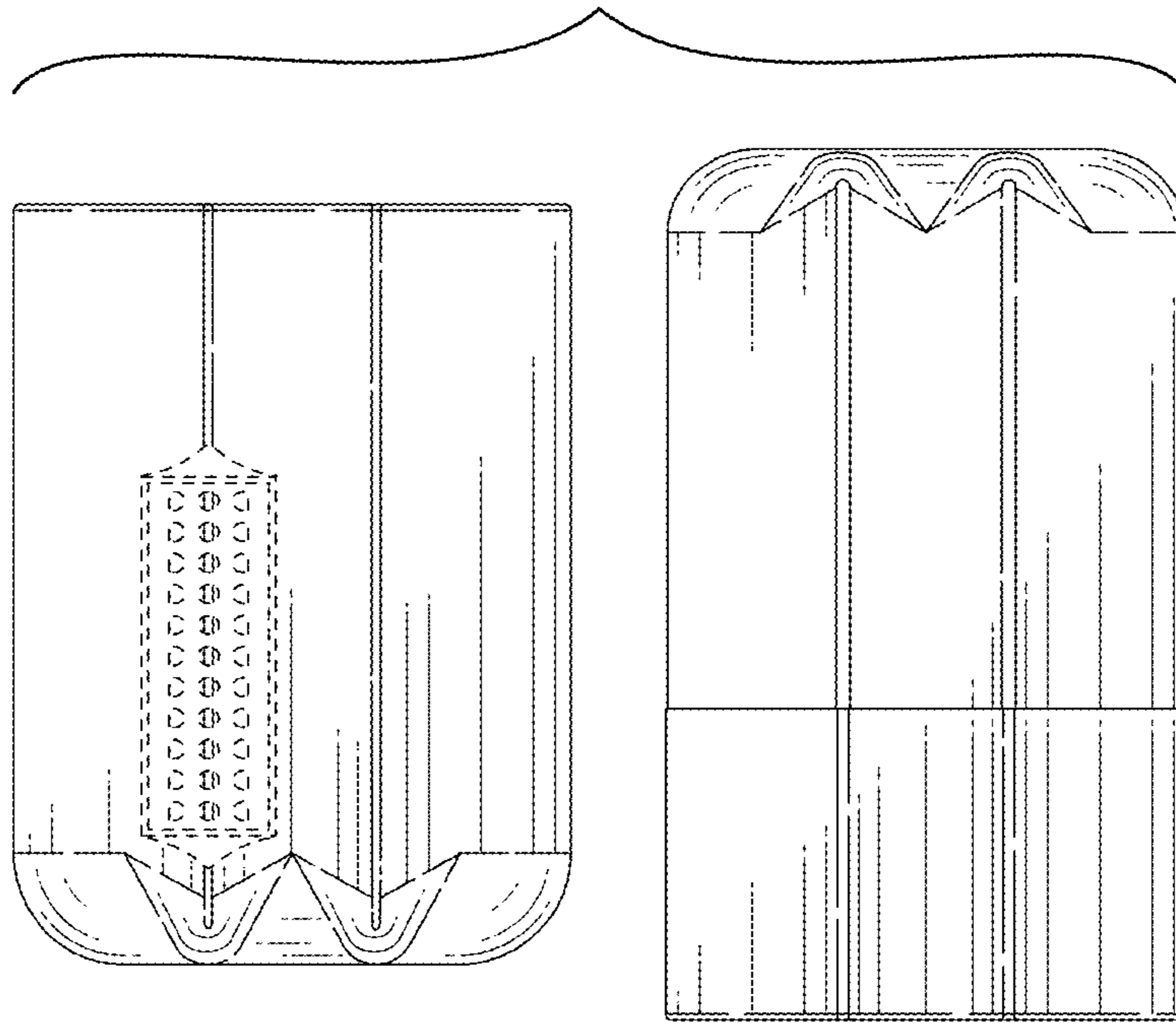


FIG. 7

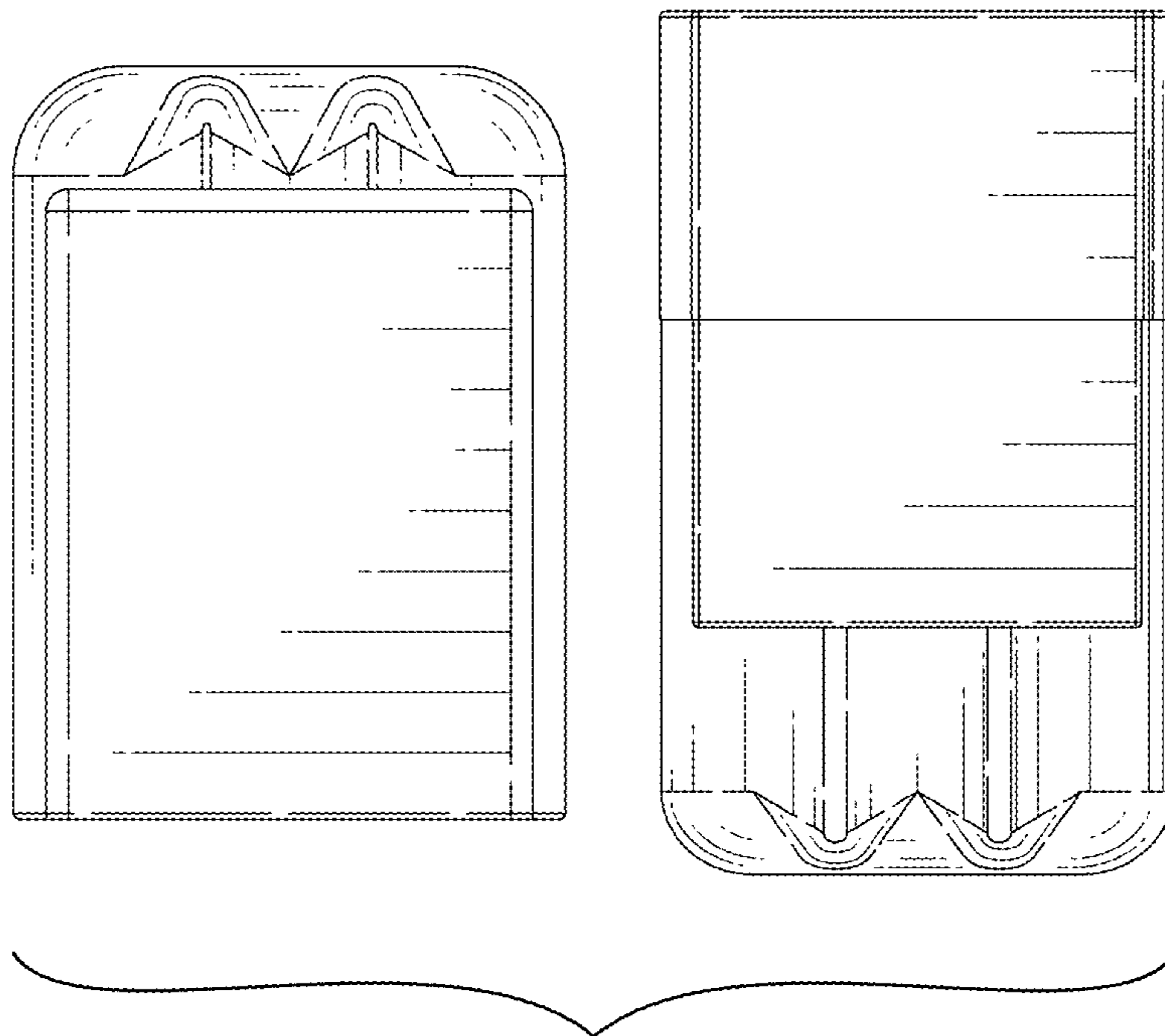


FIG. 8

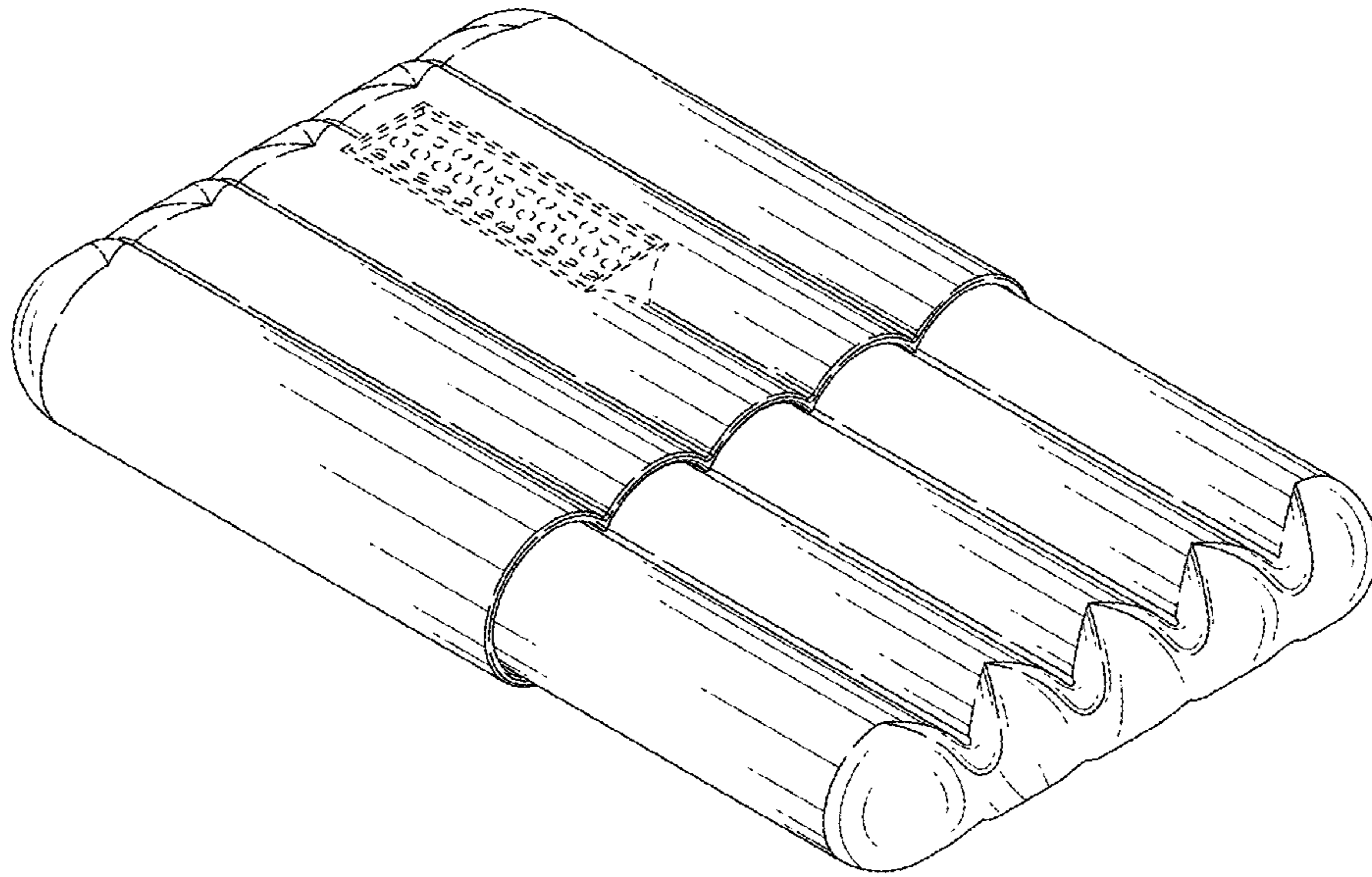


FIG. 9

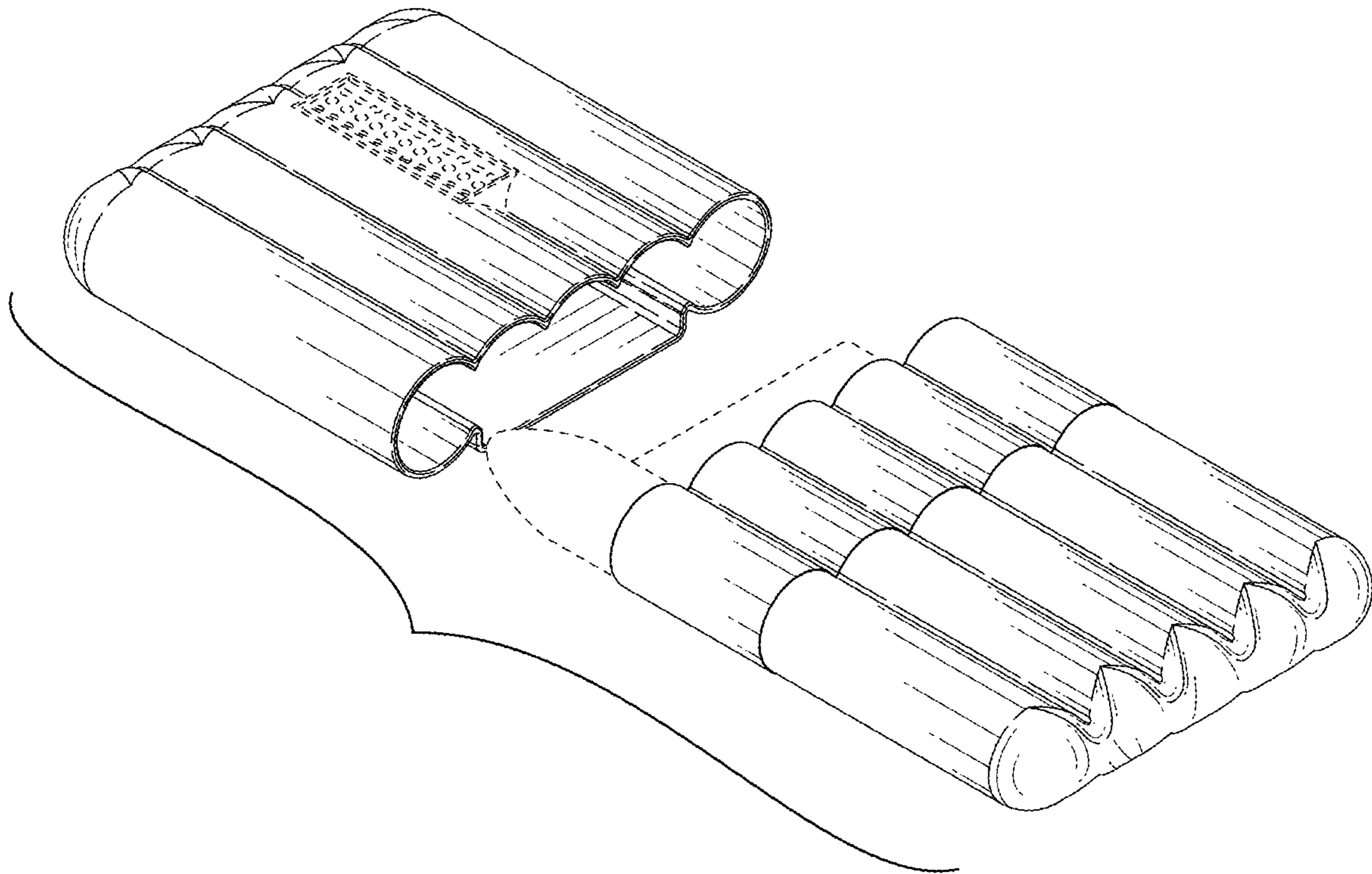


FIG. 10

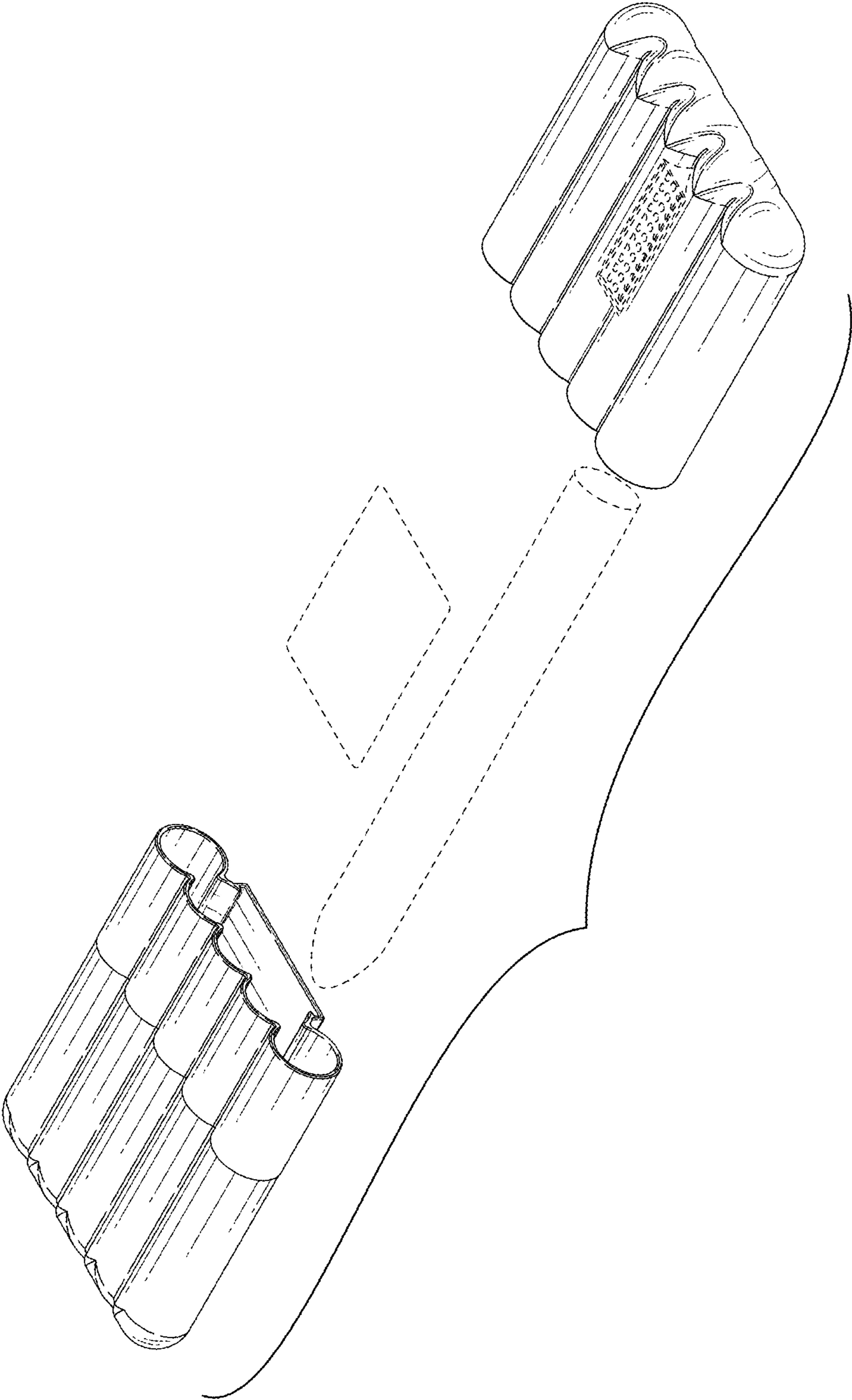


FIG. 11

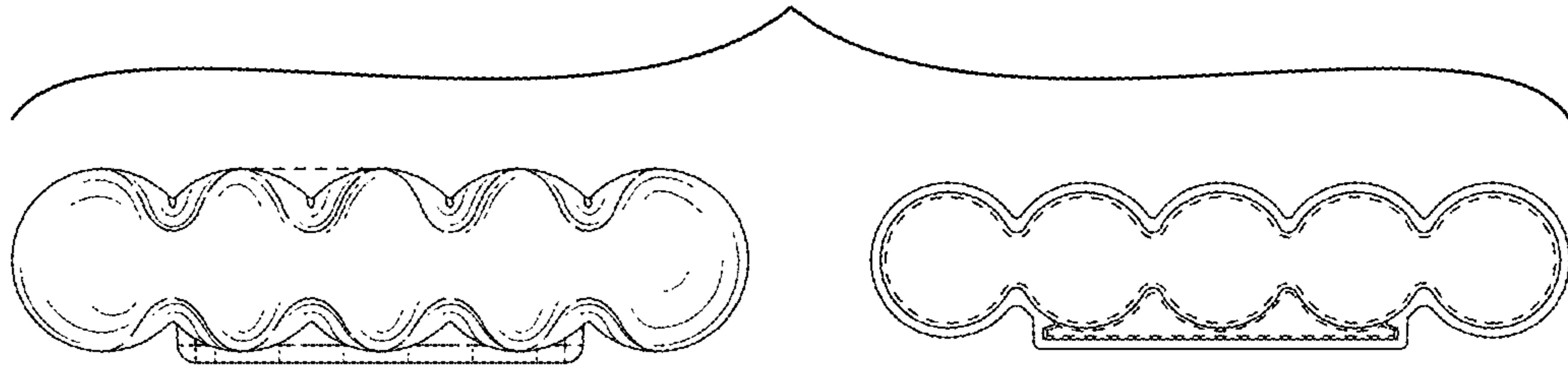


FIG. 12

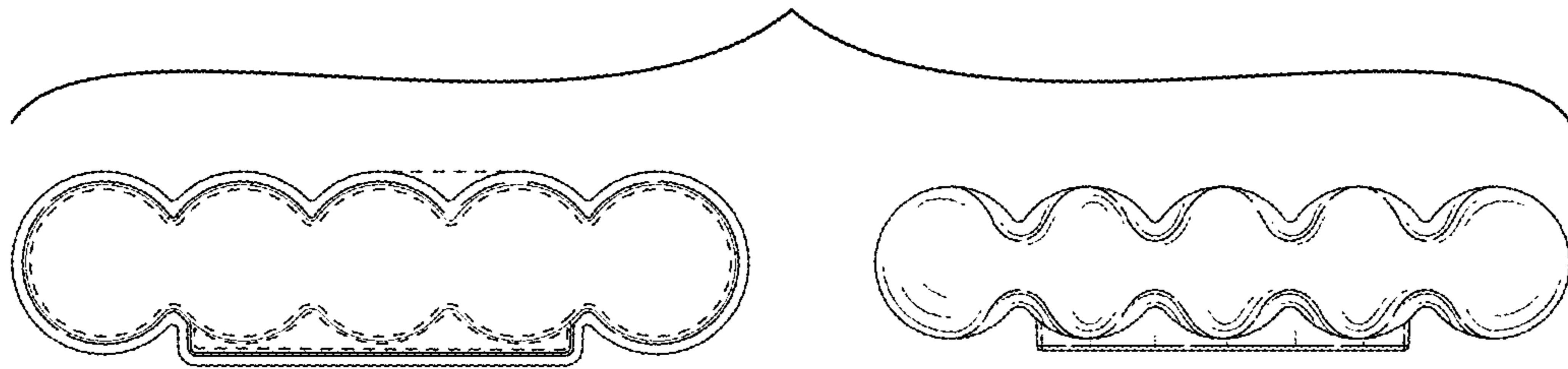


FIG. 13

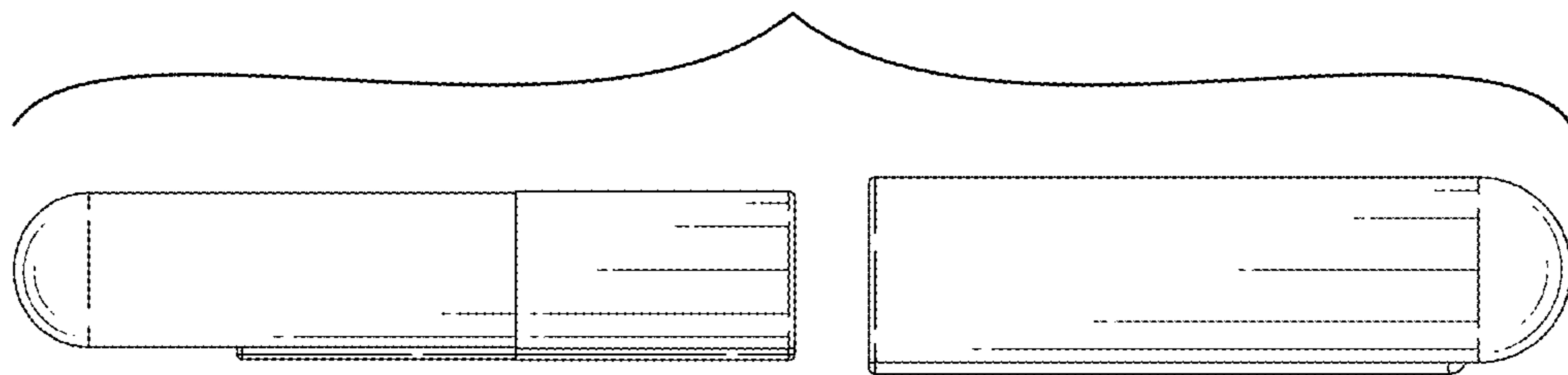


FIG. 14

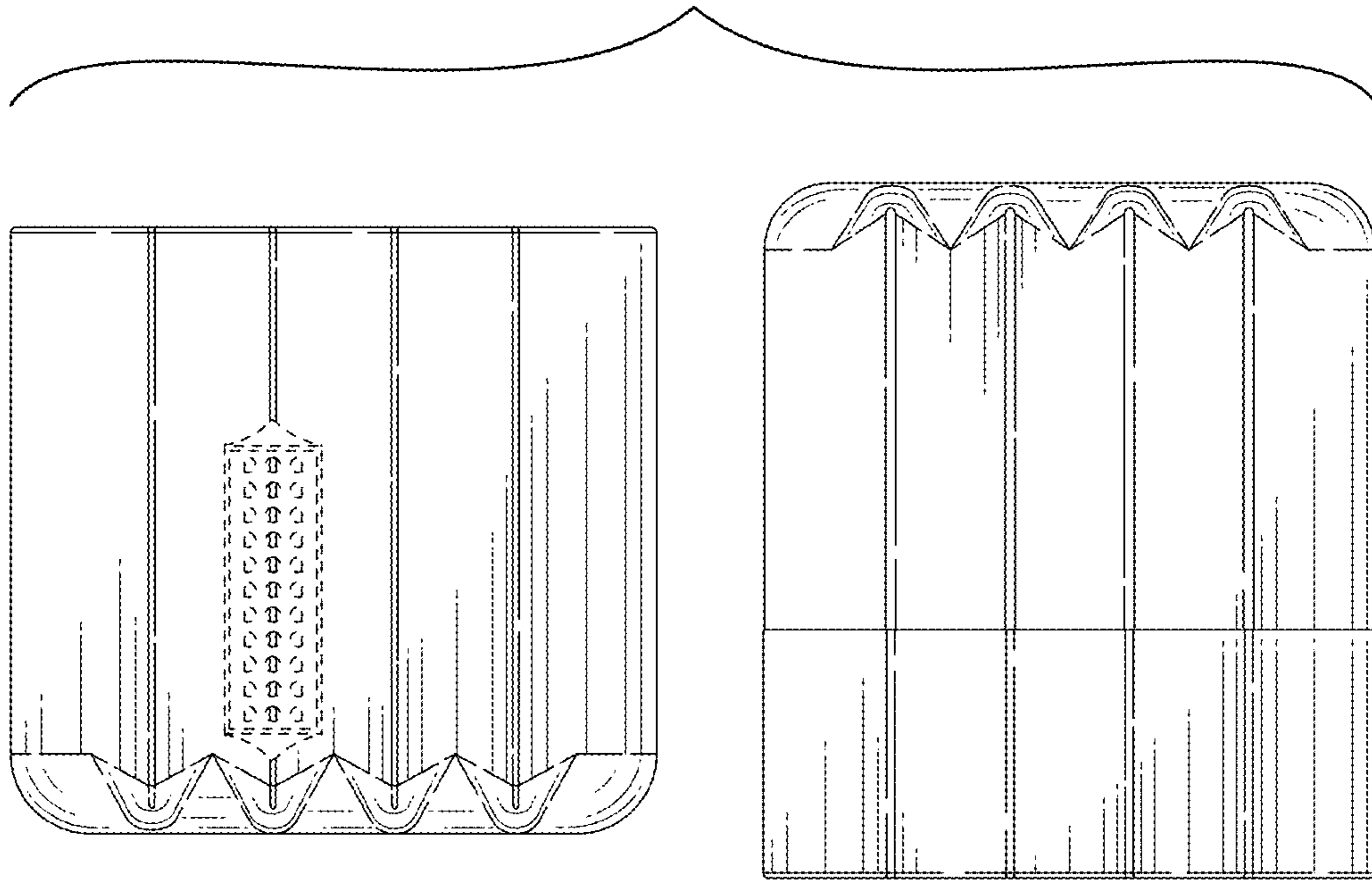


FIG. 15

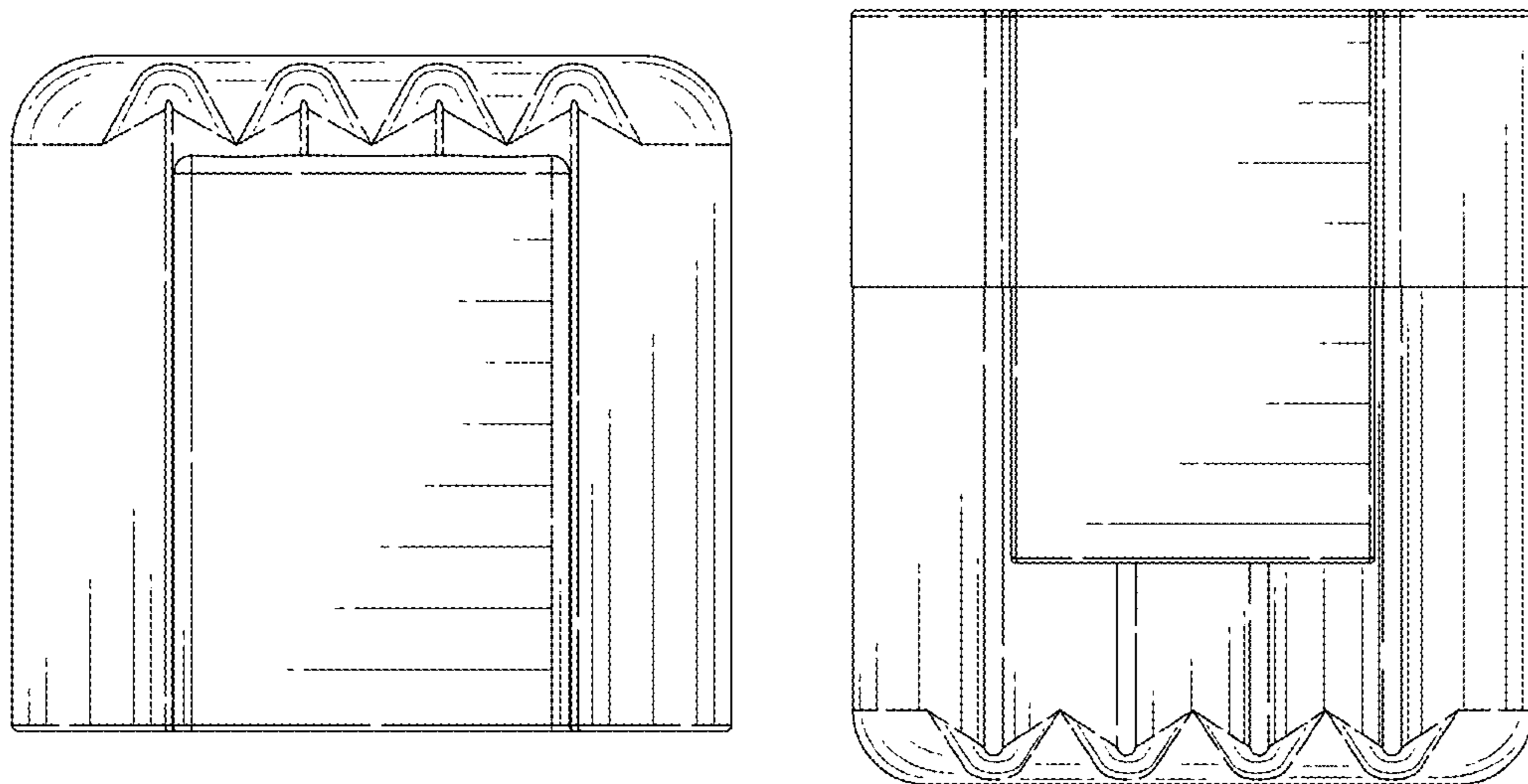


FIG. 16