



US00D922677S

(12) **United States Design Patent** (10) **Patent No.:** **US D922,677 S**
Ziering et al. (45) **Date of Patent:** **** Jun. 15, 2021**

(54) **CASE FOR CIGARETTE PRODUCTS**

FOREIGN PATENT DOCUMENTS

(71) Applicant: **PAQ Holdings, LLC.**, Boca Raton, FL (US)

CN 201830663468.8 * 4/2019
WO D103772-010 * 2/2019

(72) Inventors: **Cody Ziering**, Boca Raton, FL (US);
Brett Gelfand, Atlanta, GA (US);
Mark Rottenberg, Reisterstown, MD (US)

Primary Examiner — Marissa J Cash
Assistant Examiner — William B Melliar
(74) *Attorney, Agent, or Firm* — Michael Bednarek;
Bednarek Legal, PLLC

(73) Assignee: **PAQ Holdings, LLC.**, Boca Raton, FL (US)

(57) **CLAIM**

The ornamental design for a case for cigarette products, as shown and described.

(**) Term: **15 Years**

DESCRIPTION

(21) Appl. No.: **29/705,678**

(22) Filed: **Sep. 13, 2019**

(51) **LOC (13) Cl.** **27-06**

(52) **U.S. Cl.**
USPC **D27/183**

(58) **Field of Classification Search**

USPC D27/102, 136, 137, 163, 167, 172, 173,
D27/174, 175, 176, 177, 178, 179, 180,
D27/181, 182, 183, 184, 185, 186, 187,
D27/188, 189, 190, 191, 192, 193, 194,
D27/195, 196; D19/102, 77, 81
CPC A24F 47/008; A24F 15/18; A24F 15/12;
A24F 15/20; A24F 47/002; A24F 15/00;
A24F 15/14; A24F 15/10; A24F 15/01;
A24F 15/08; A24F 40/40; A24F 15/005;
A24F 15/02; A24F 21/00; A24F 40/95;

(Continued)

FIG. 1 is a front perspective view of a case for cigarette products in the open position,
FIG. 2 is a front elevational view of the case in the open position;
FIG. 3 is a rear elevational view of the case in the open position;
FIG. 4 is a left-side elevational view of the case in the open position;
FIG. 5 is a right-side elevational view of the case in the open position;
FIG. 6 is a top plan view of the case in the open position;
FIG. 7 is a bottom plan view of the case in the open position;
FIG. 8 is a front perspective view of a case for cigarette products in the closed position,
FIG. 9 is a front elevational view of the case in the closed position;
FIG. 10 is a rear elevational view of the case in the closed position;
FIG. 11 is a left side elevational view of the case in the closed position;
FIG. 12 is a right-side elevational view of the case in the closed position;
FIG. 13 is a top plan view of the case in the closed position;
and,
FIG. 14 is a bottom plan view of the case in the closed position.

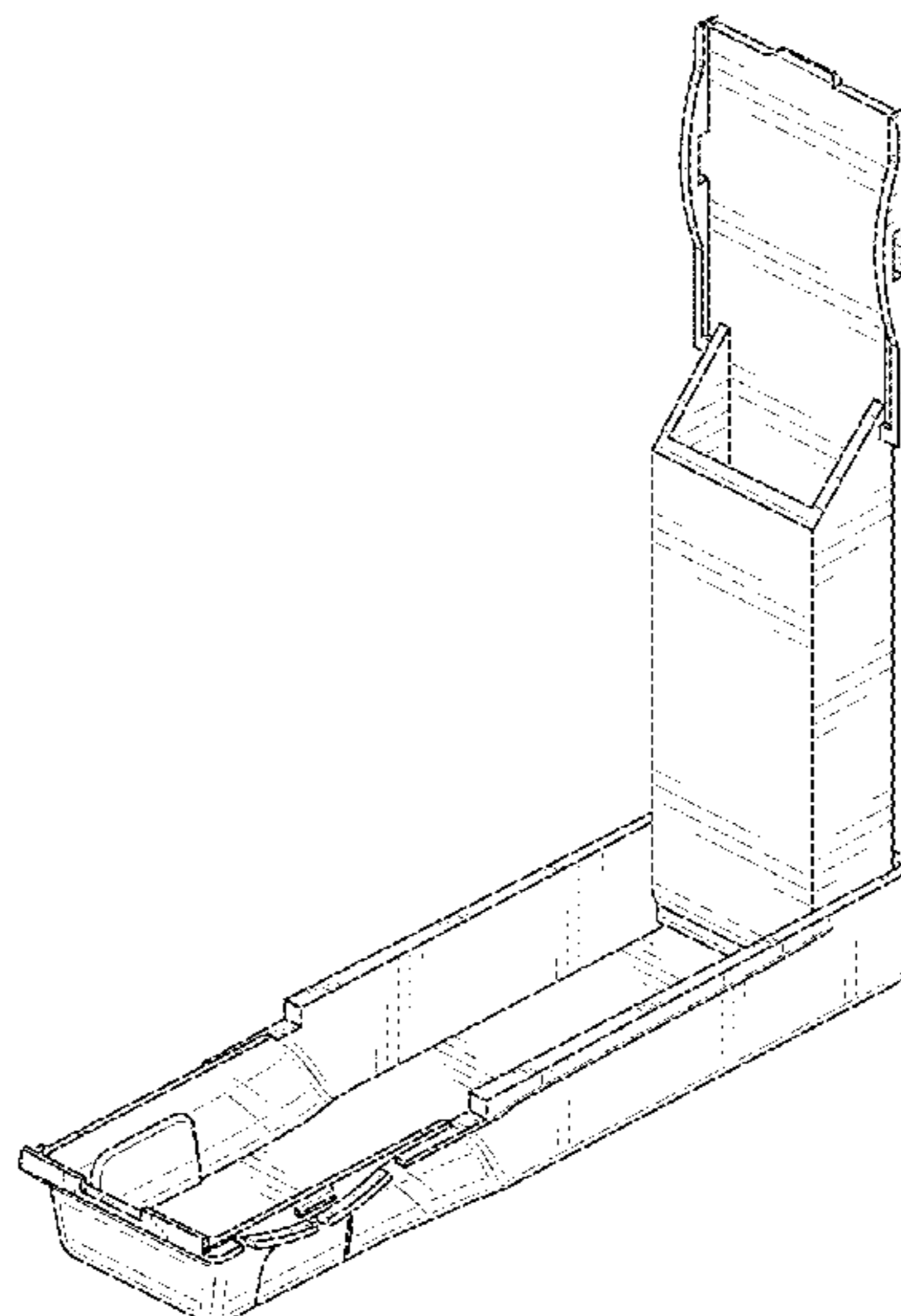
(56) **References Cited**

U.S. PATENT DOCUMENTS

1,574,566 A * 2/1926 Fiske A24F 15/12
206/265
D142,511 S * 10/1945 Beveridge D27/189

(Continued)

1 Claim, 14 Drawing Sheets



(58) **Field of Classification Search**

CPC A24F 47/00; A24F 9/04; B65D 85/70;
B65D 25/108; B65D 43/16; B65D 25/10;
B65D 85/10; B65D 43/22; B65D 85/20;
B65D 2203/02; B65D 25/00; B65D
25/34; B65D 43/14; B65D 43/163; B65D
43/165; B65D 43/18; B65D 43/24; B65D
77/042; B65D 7/06; B65D 85/1009;
B65D 85/12; B65D 25/22; B65D 5/60;
B65D 81/022; B65D 85/1045; B65D
85/109

See application file for complete search history.

(56) **References Cited**

U.S. PATENT DOCUMENTS

D173,597 S * 11/1954 Waterman B65D 39/08
D9/756
D335,819 S * 5/1993 Campbell D27/172
D379,552 S * 5/1997 Vokebe D27/189
D756,560 S * 5/2016 Ghiotti D27/186
D756,561 S * 5/2016 Ghiotti D27/186
D756,562 S * 5/2016 Ghiotti D27/186
D815,344 S * 4/2018 Smith D27/189
D818,195 S * 5/2018 Burger D27/186
D835,901 S * 12/2018 Kietzmann D3/203.1
D890,421 S * 7/2020 Godwin, III D27/186
D893,095 S * 8/2020 Ziering D27/189
2017/0349338 A1 * 12/2017 Ziering B65D 85/10
2019/0100360 A1 * 4/2019 Ziering B65D 43/16

* cited by examiner

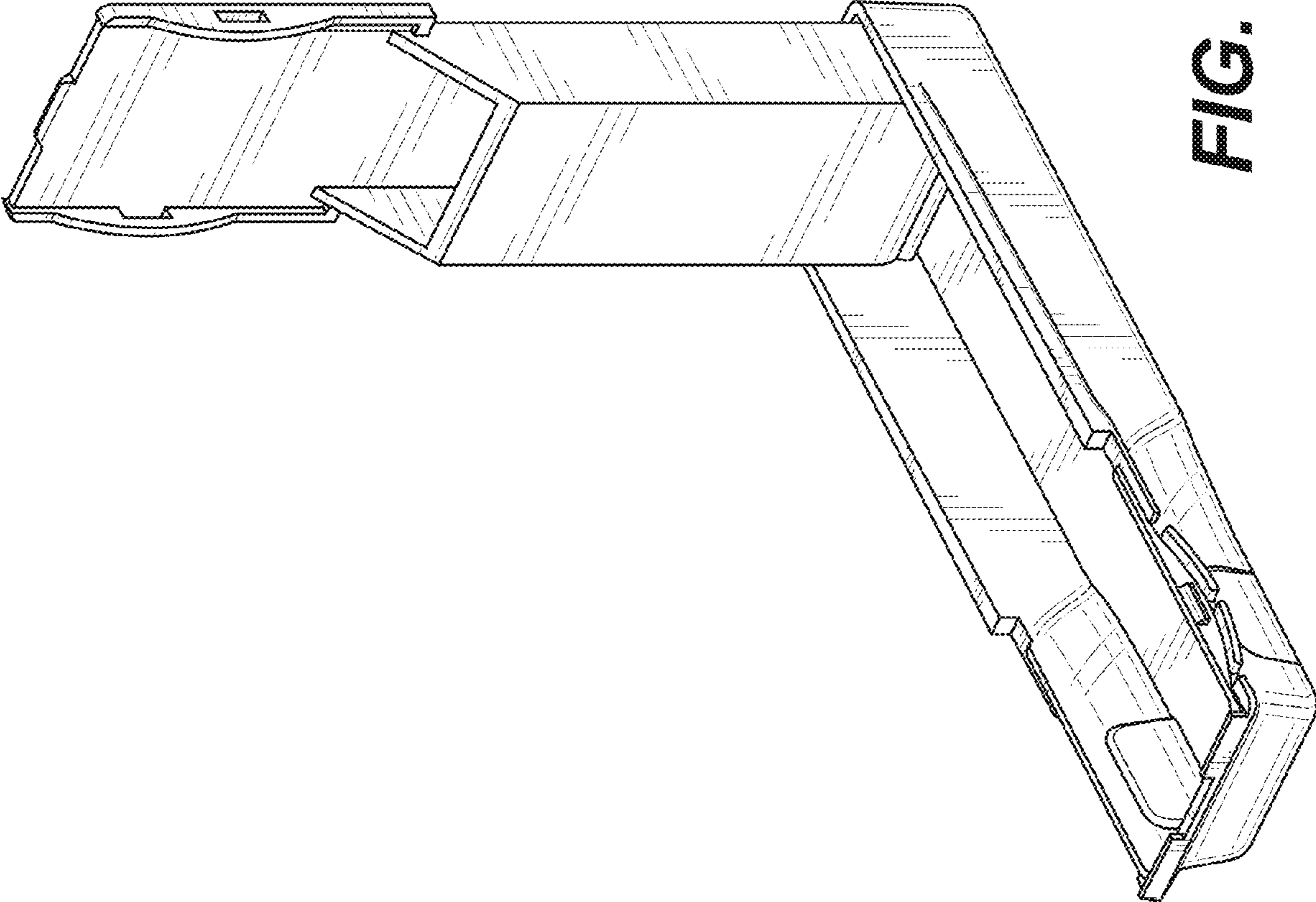


FIG. 1

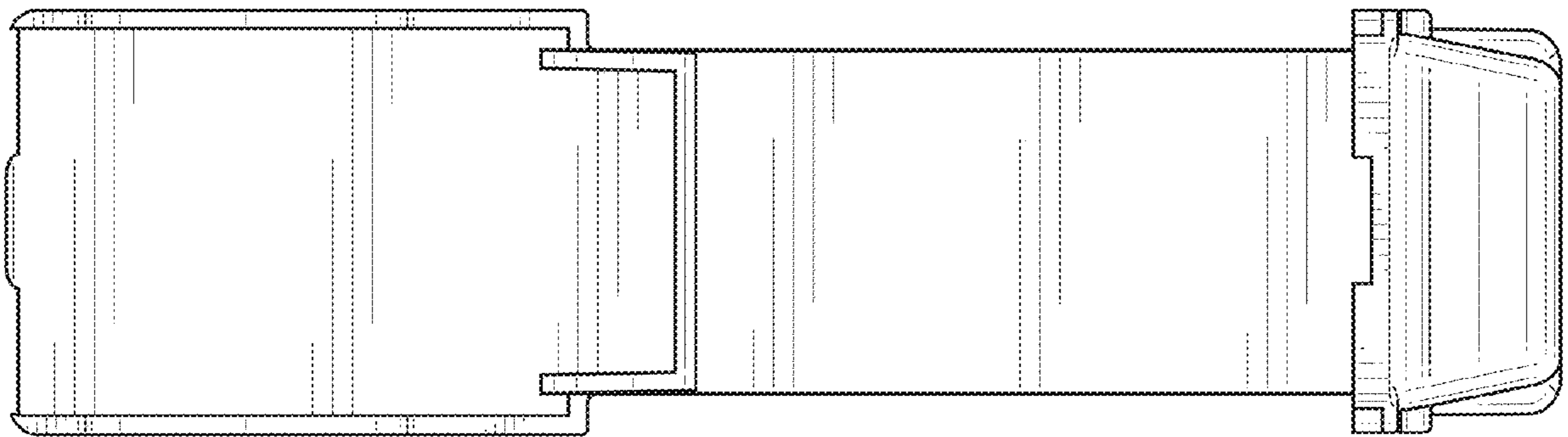


FIG. 2

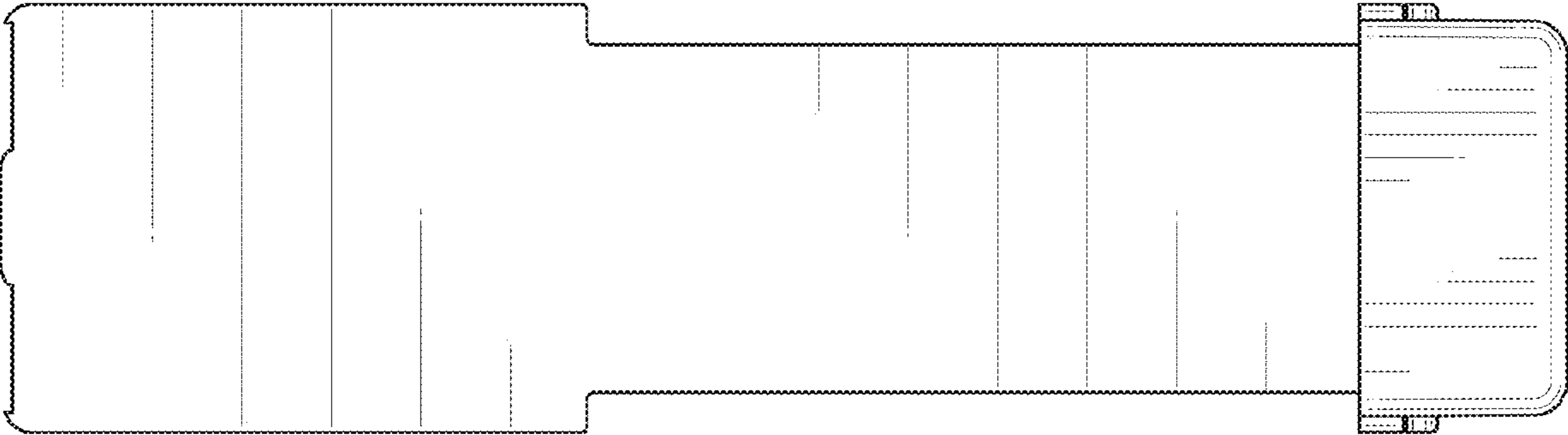


FIG. 3

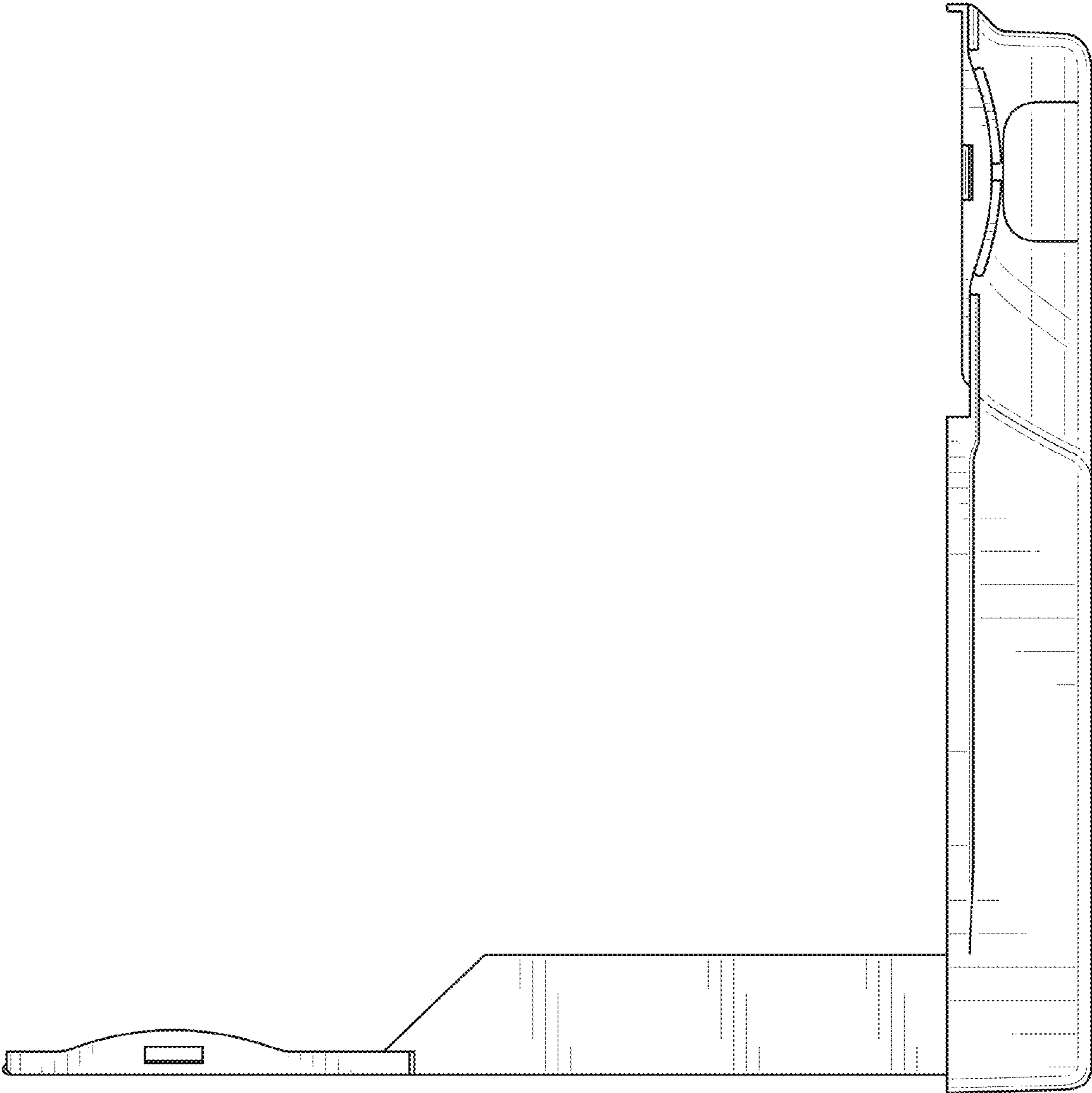


FIG. 4

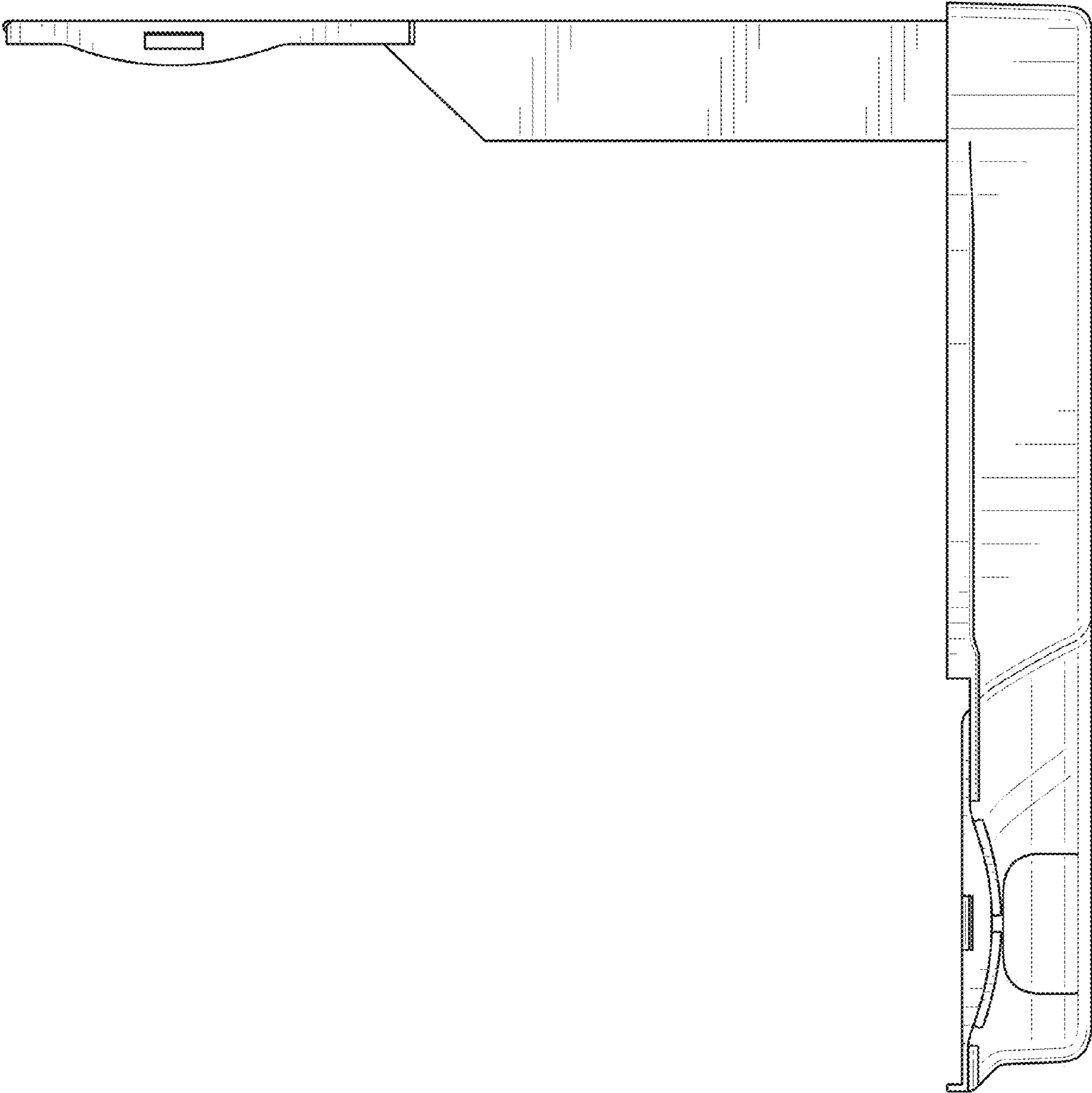


FIG. 5

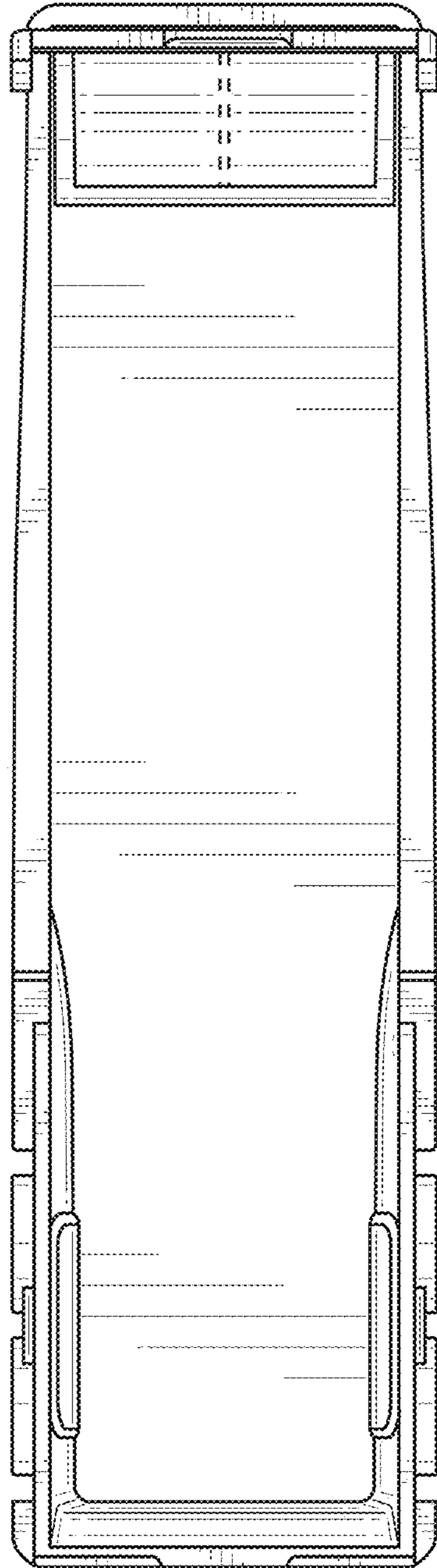


FIG. 6

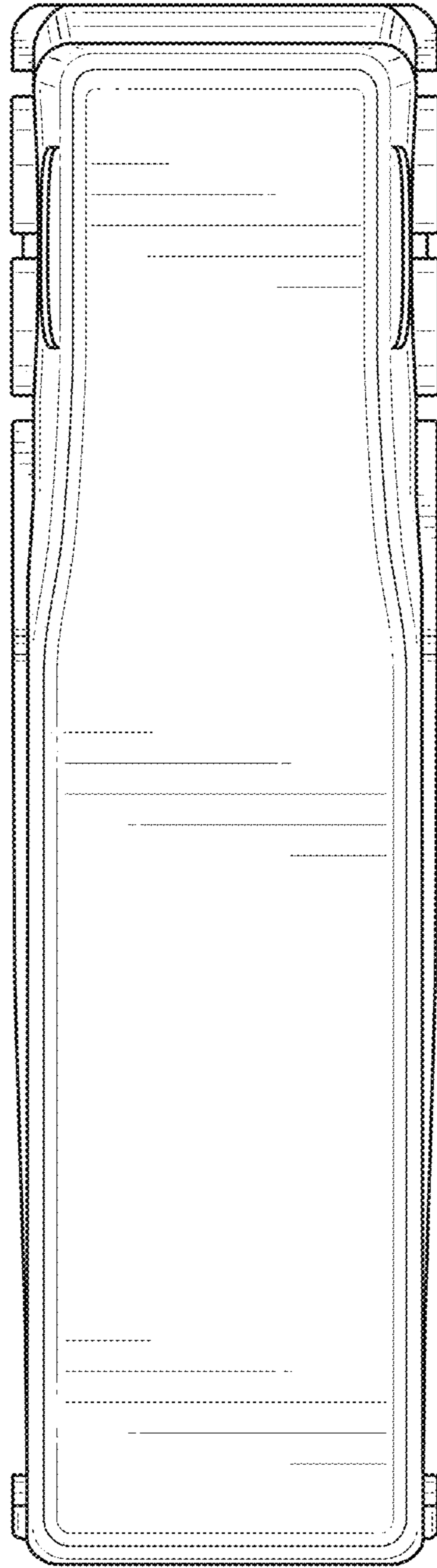


FIG. 7

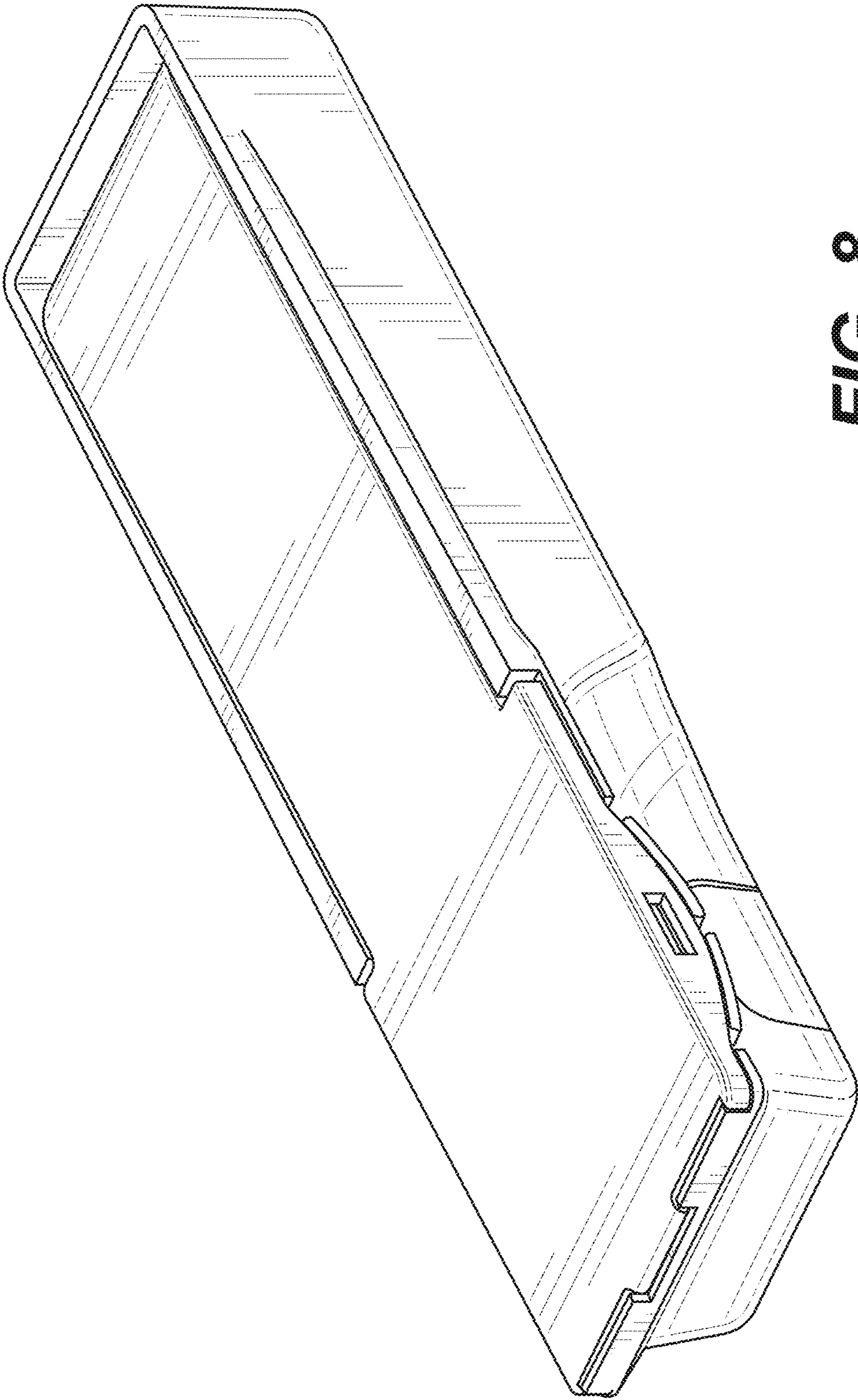


FIG. 8

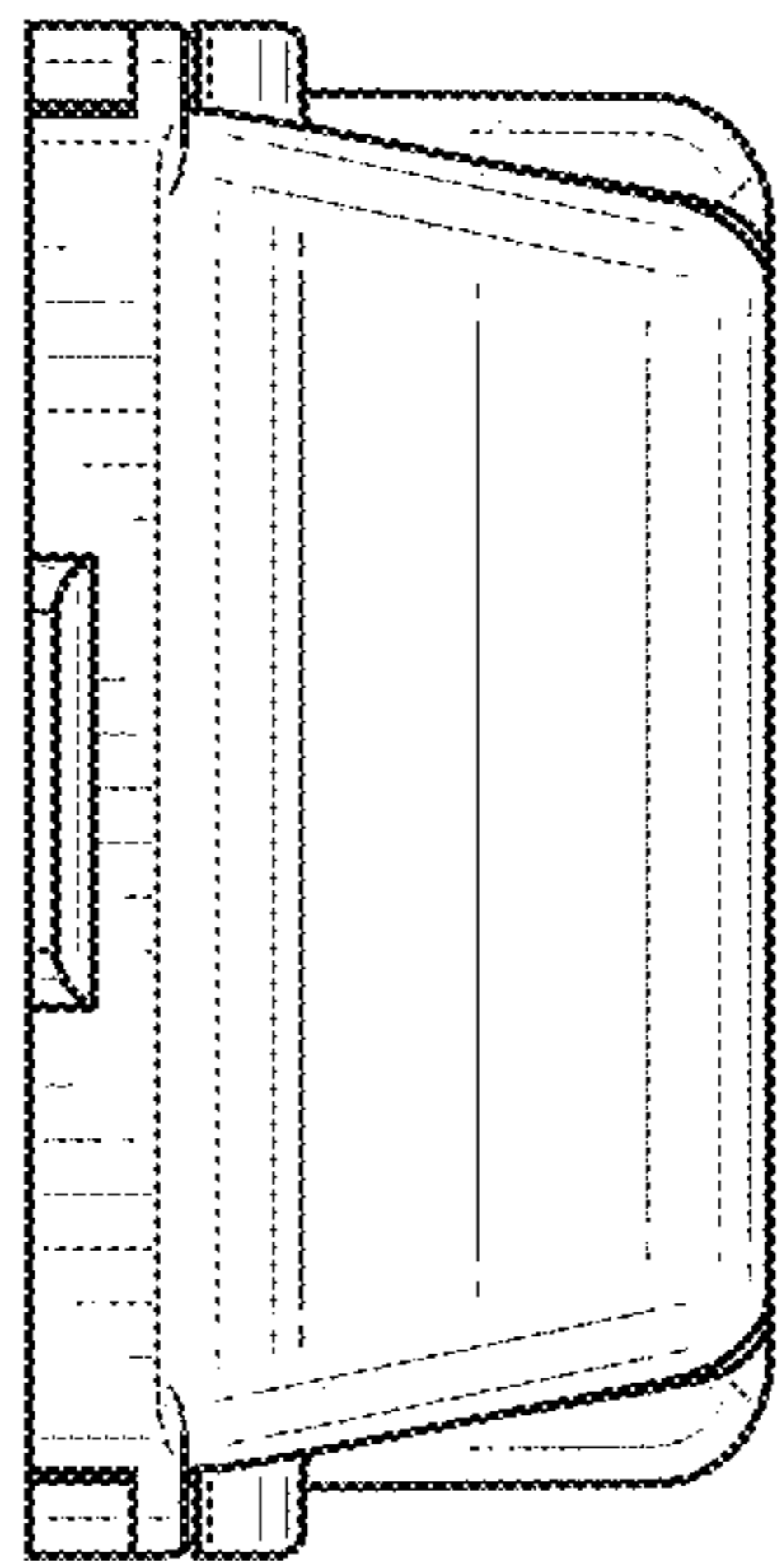


FIG. 9

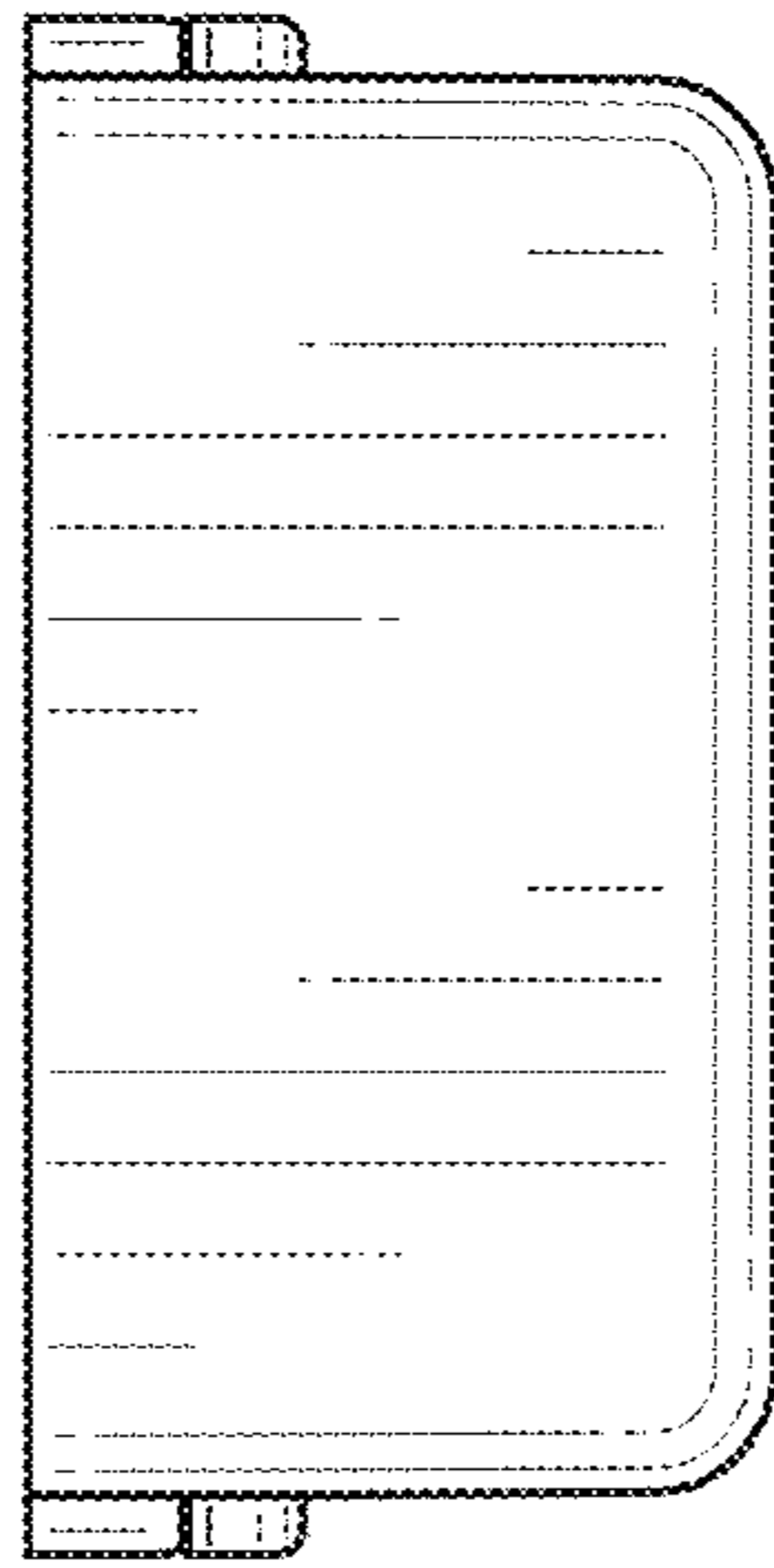


FIG. 10

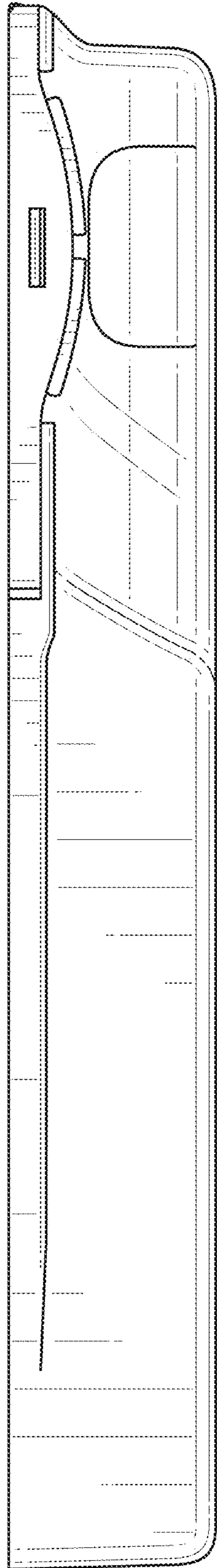


FIG. 11

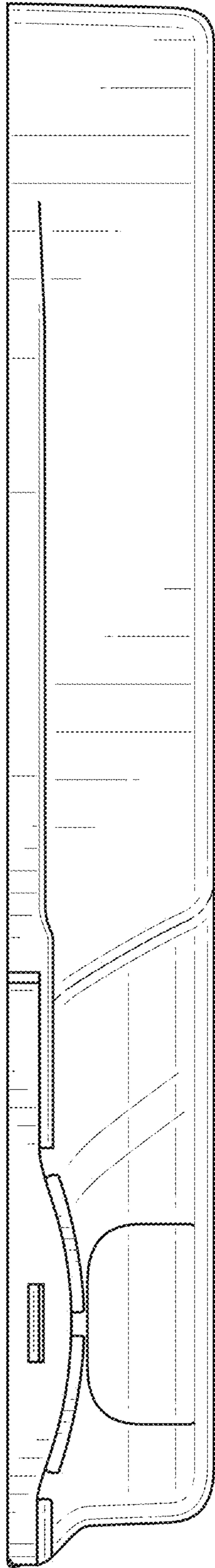


FIG. 12

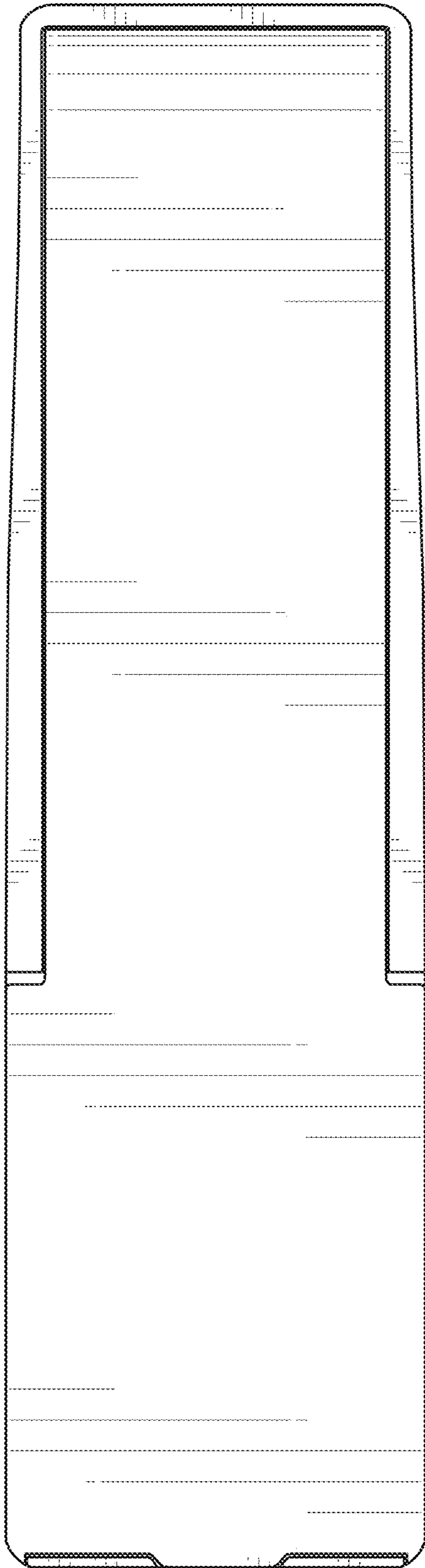


FIG. 13

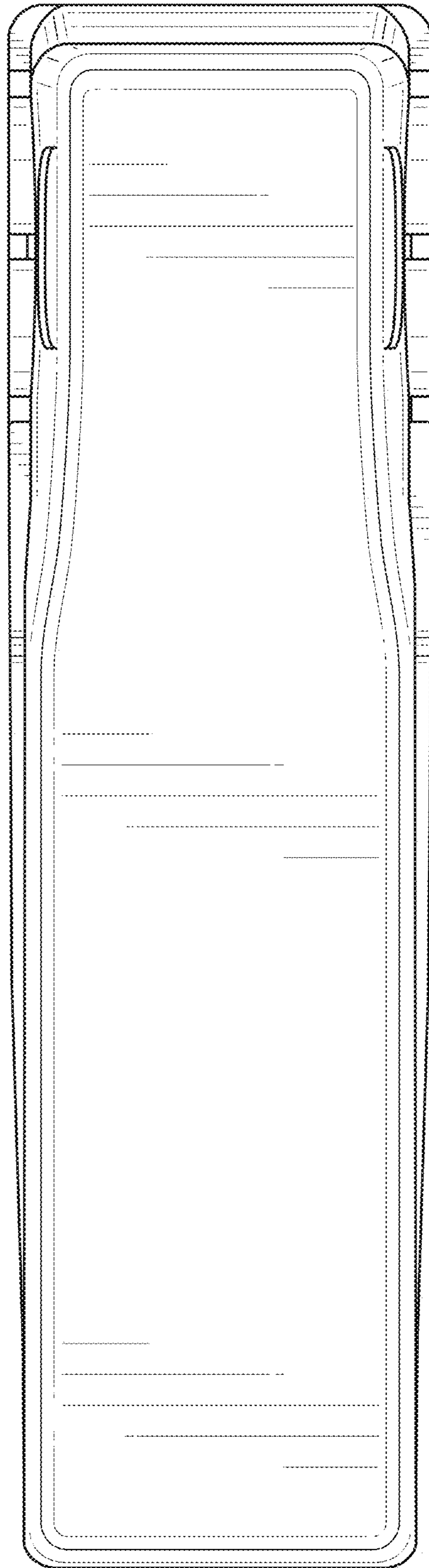


FIG. 14