



US00D922675S

(12) **United States Design Patent**  
**Michaud**

(10) **Patent No.:** **US D922,675 S**  
(45) **Date of Patent:** **\*\* Jun. 15, 2021**

(54) **DUAL VAPORIZER CARTRIDGE BATTERY**

(71) Applicants: **BEGREEN SUPPLY LLC**, Las Vegas, NV (US); **KB MOJO, INC.**, Encinitas, CA (US)

(72) Inventor: **Christopher Michaud**, Boston, MA (US)

(73) Assignees: **BEGREEN SUPPLY LLC**, Las Vegas, NV (US); **KB MOJO, INC.**, Encinitas, CA (US)

(\*\*) Term: **15 Years**

(21) Appl. No.: **29/694,185**

(22) Filed: **Jun. 7, 2019**

(51) **LOC (13) Cl.** ..... **27-02**

(52) **U.S. Cl.**  
USPC ..... **D27/162; D13/103**

(58) **Field of Classification Search**  
USPC ..... D13/102-108, 110, 118-119, 184; D27/162, 163, 167, 194, 101  
CPC ..... Y02E 60/12; Y02E 60/122; Y02E 60/124; Y02E 60/50; H01M 2/02; H01M 2/022; H01M 2/0202; H01M 2/0207; H01M 2/0212; H01M 2/1061; H01M 2/1022; H01M 2/1055; H01M 2/1066; H01M 2/105; H01M 2/204; H01M 10/4257; H01M 10/0436; H01M 10/48

See application file for complete search history.

(56) **References Cited**

**U.S. PATENT DOCUMENTS**

D617,942 S *	6/2010	LoRe	.....	D27/172
D729,366 S *	5/2015	Kauss	.....	D23/360
D801,507 S *	10/2017	Kelnhofer	.....	D23/366
D807,818 S *	1/2018	Mathias	.....	D13/107
D844,232 S *	3/2019	Qiu	.....	D27/163
D854,738 S *	7/2019	Kauss	.....	D27/162

D863,668 S *	10/2019	Kurdzialek	.....	D27/144
D872,248 S *	1/2020	Lee	.....	D23/366
D878,672 S *	3/2020	Beer	.....	D27/162
D879,369 S *	3/2020	Beer	.....	D27/162
D881,461 S *	4/2020	Wright	.....	D27/162
D881,462 S *	4/2020	Wright	.....	D27/162
D884,265 S *	5/2020	Wright	.....	D27/162

(Continued)

**OTHER PUBLICATIONS**

Introducing The Hum & Hum 2 Vape Battery \_ Product Review—The Weed Blog, published Jan. 28, 2020, retrieved on Jun. 26, 2020, retrieved from the Internet URL: <https://www.theweed.blog/introducing-the-hum-hum-2-vape-battery-product-review/>.\*

(Continued)

*Primary Examiner* — Jennifer Rivard

*Assistant Examiner* — Alison M Ofstun

(74) *Attorney, Agent, or Firm* — Sunstein LLP

(57) **CLAIM**

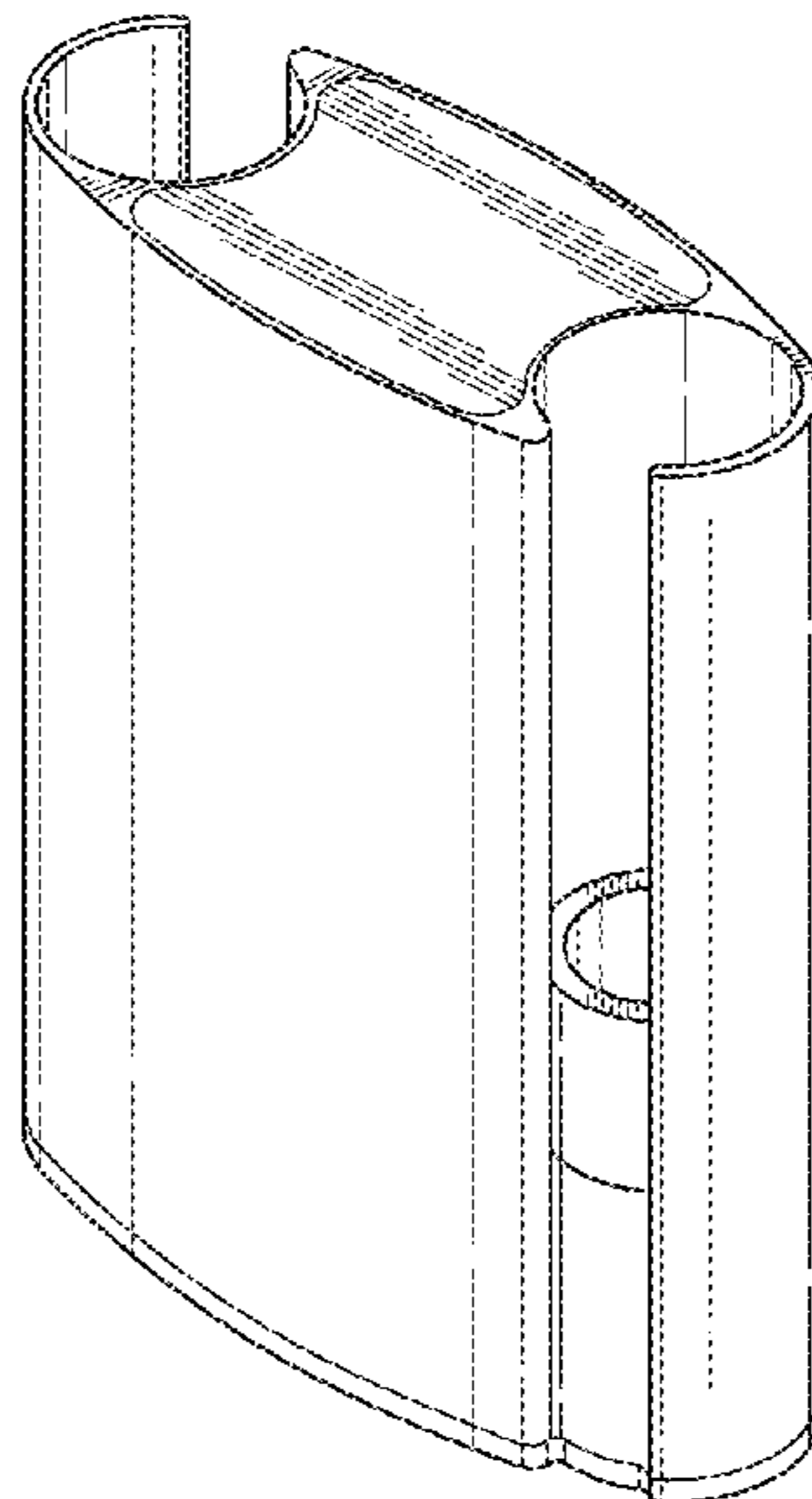
I claim the ornamental design for a dualvaporizer cartridge battery, as shown and described.

**DESCRIPTION**

FIG. 1 is a top, front perspective view of a dual vaporizer cartridge battery showing my new design; FIG. 2 is a top, back perspective view thereof; FIG. 3 is a bottom, front perspective view thereof; FIG. 4 is bottom, back perspective view thereof; FIG. 5 is a front elevational view thereof; FIG. 6 is a back elevational view thereof; FIG. 7 is a right side view thereof; FIG. 8 is a left side view thereof; FIG. 9 is a top plan view thereof; and, FIG. 10 is a bottom plan view thereof.

In the drawings, the dot-dash broken lines represent a boundary to the claimed design and form no part thereof.

**1 Claim, 5 Drawing Sheets**



(56)

**References Cited**

U.S. PATENT DOCUMENTS

2016/0101909 A1\* 4/2016 Schenum ..... A24F 47/002  
206/266  
2017/0367406 A1\* 12/2017 Schuler ..... H01M 2/1022  
2019/0150508 A1\* 5/2019 Thorsen ..... A24F 47/008

OTHER PUBLICATIONS

Hello HUM, facebook posting Jul. 10, 2019, retrieved on Jun. 26, 2020, retrieved from the Internet URL: [https://www.facebook.com/hellohumofficial/photos/a.631613637328498/631613610661834/?type=3&theater.\\*](https://www.facebook.com/hellohumofficial/photos/a.631613637328498/631613610661834/?type=3&theater.*)

\* cited by examiner

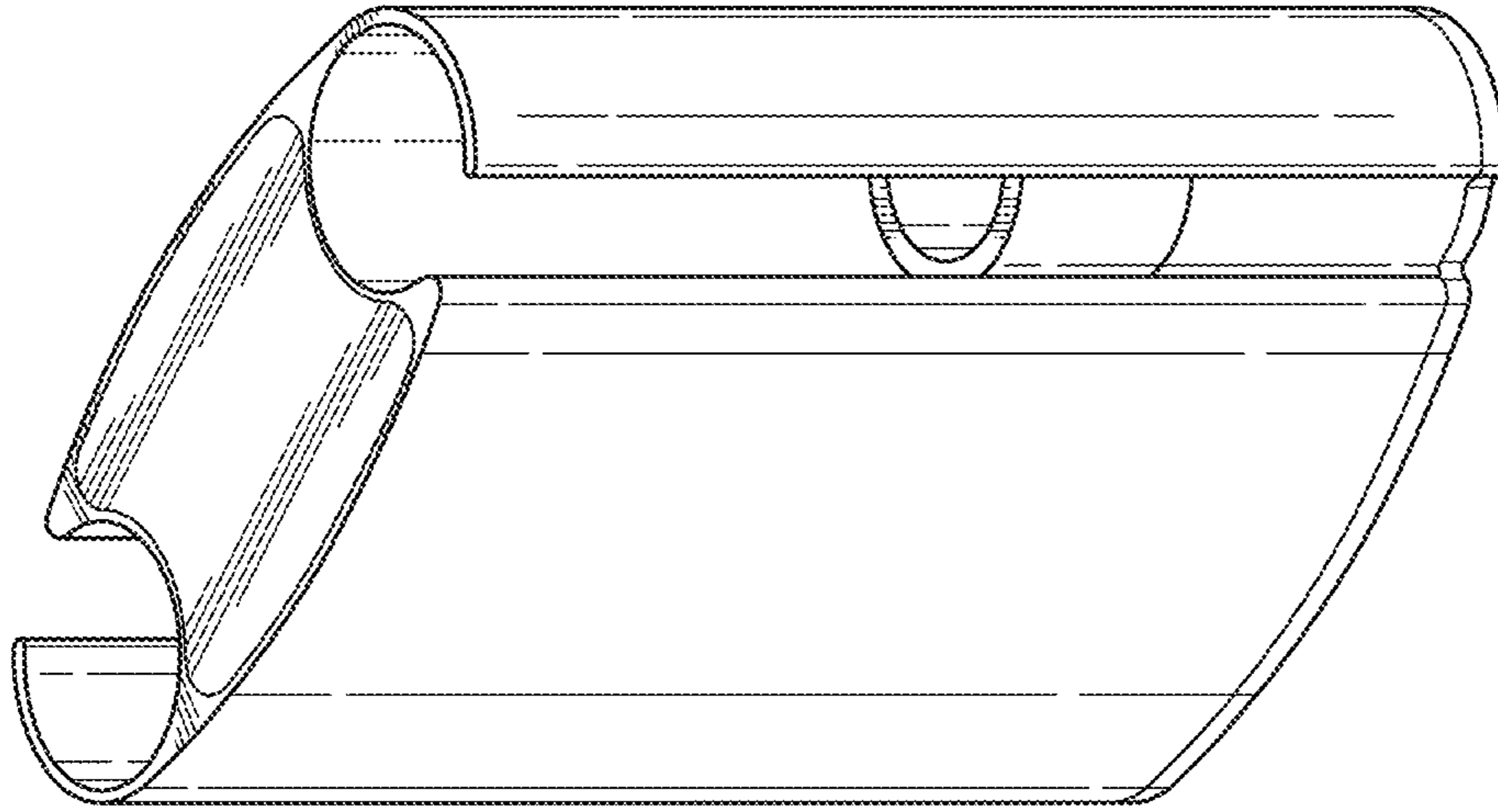


FIG. 2

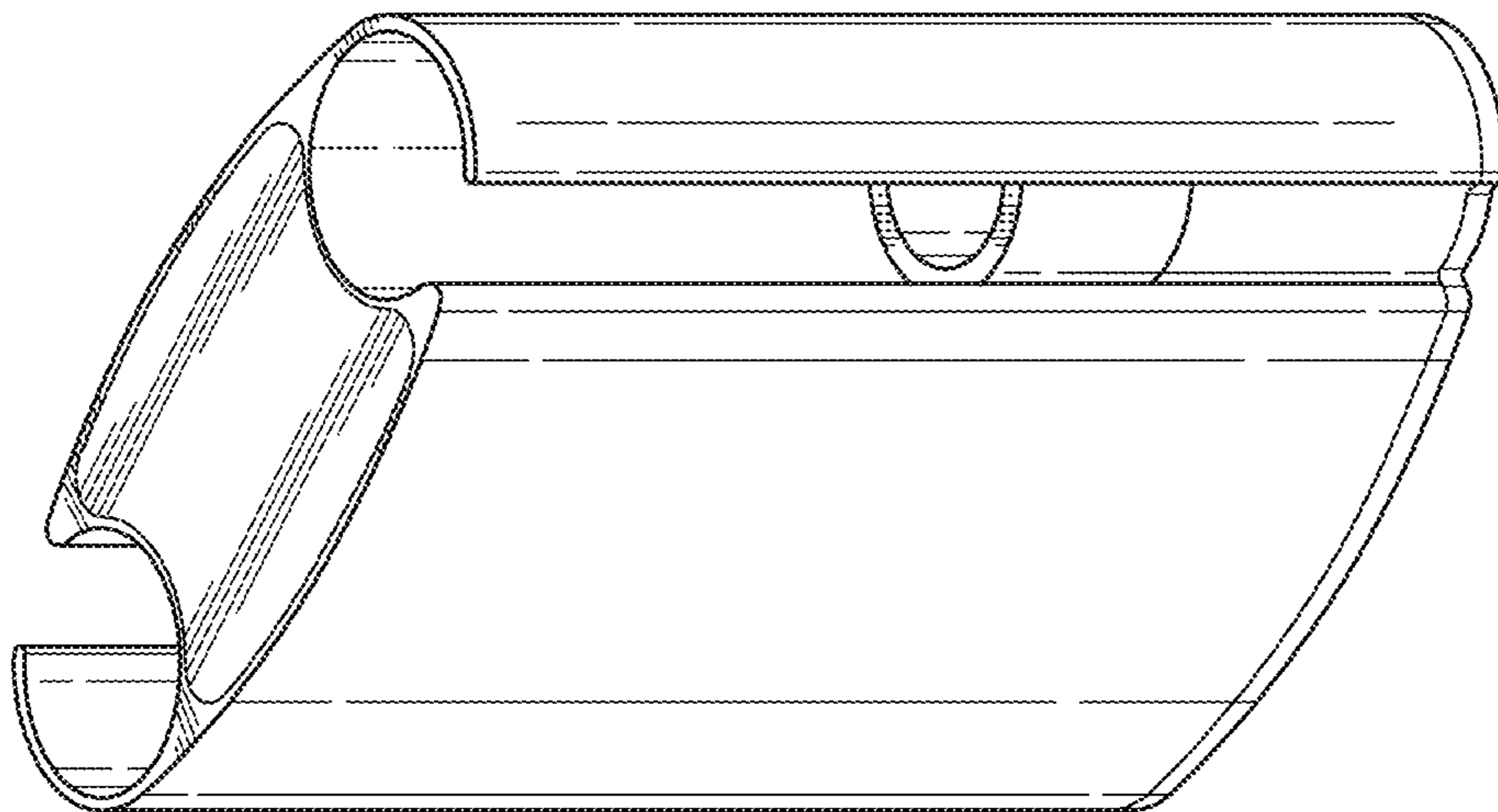


FIG. 1

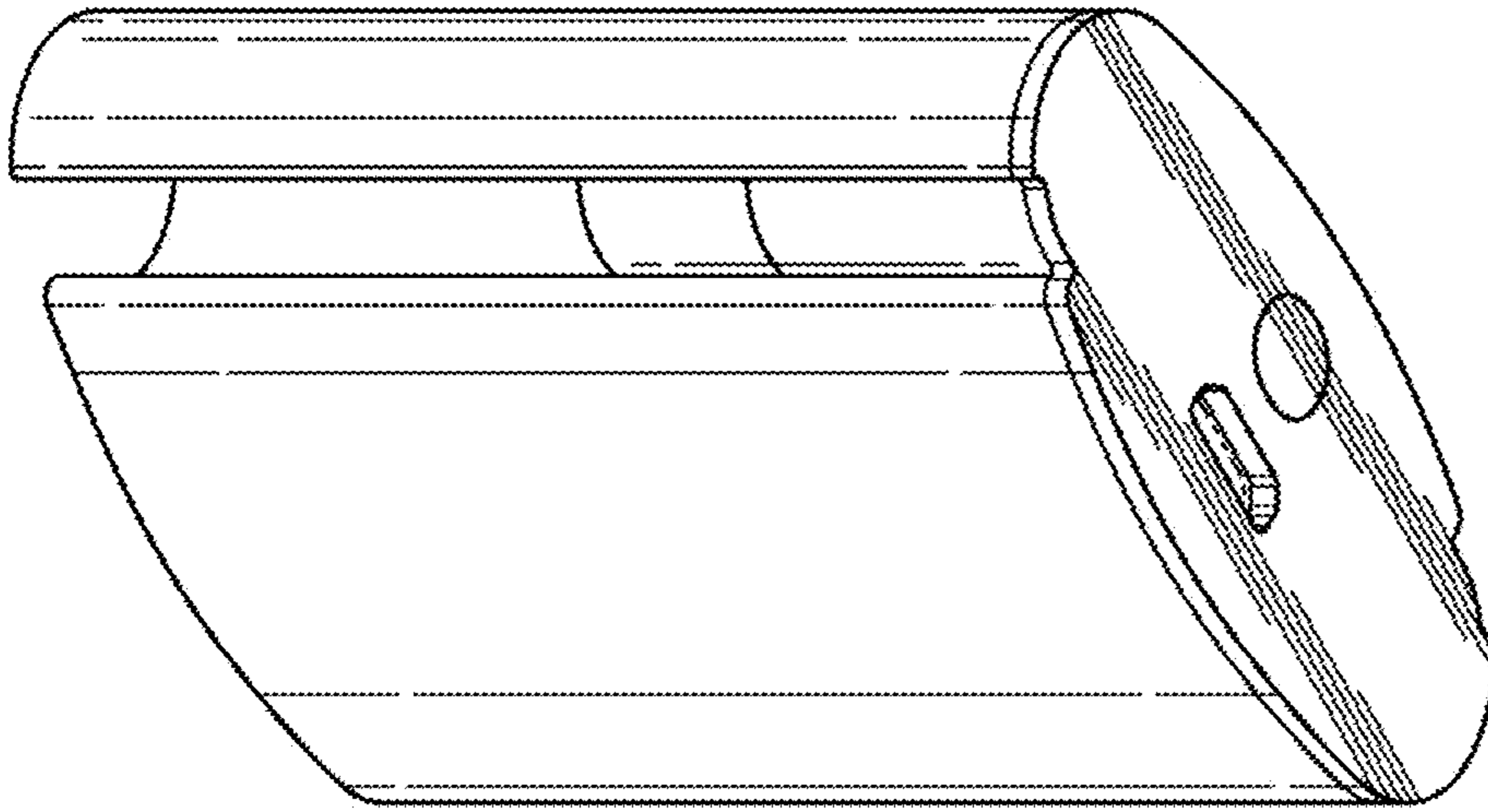


FIG. 4

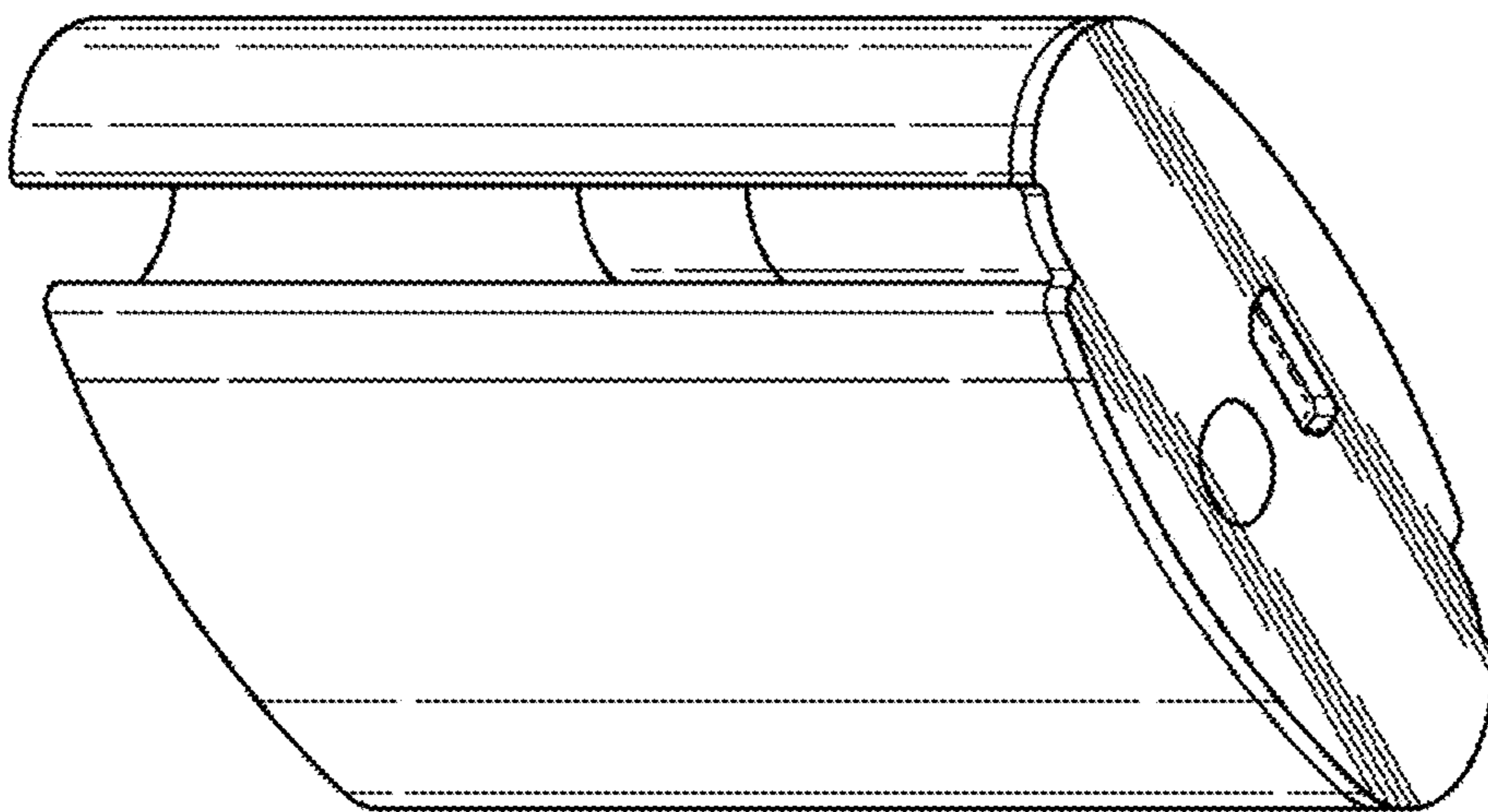


FIG. 3

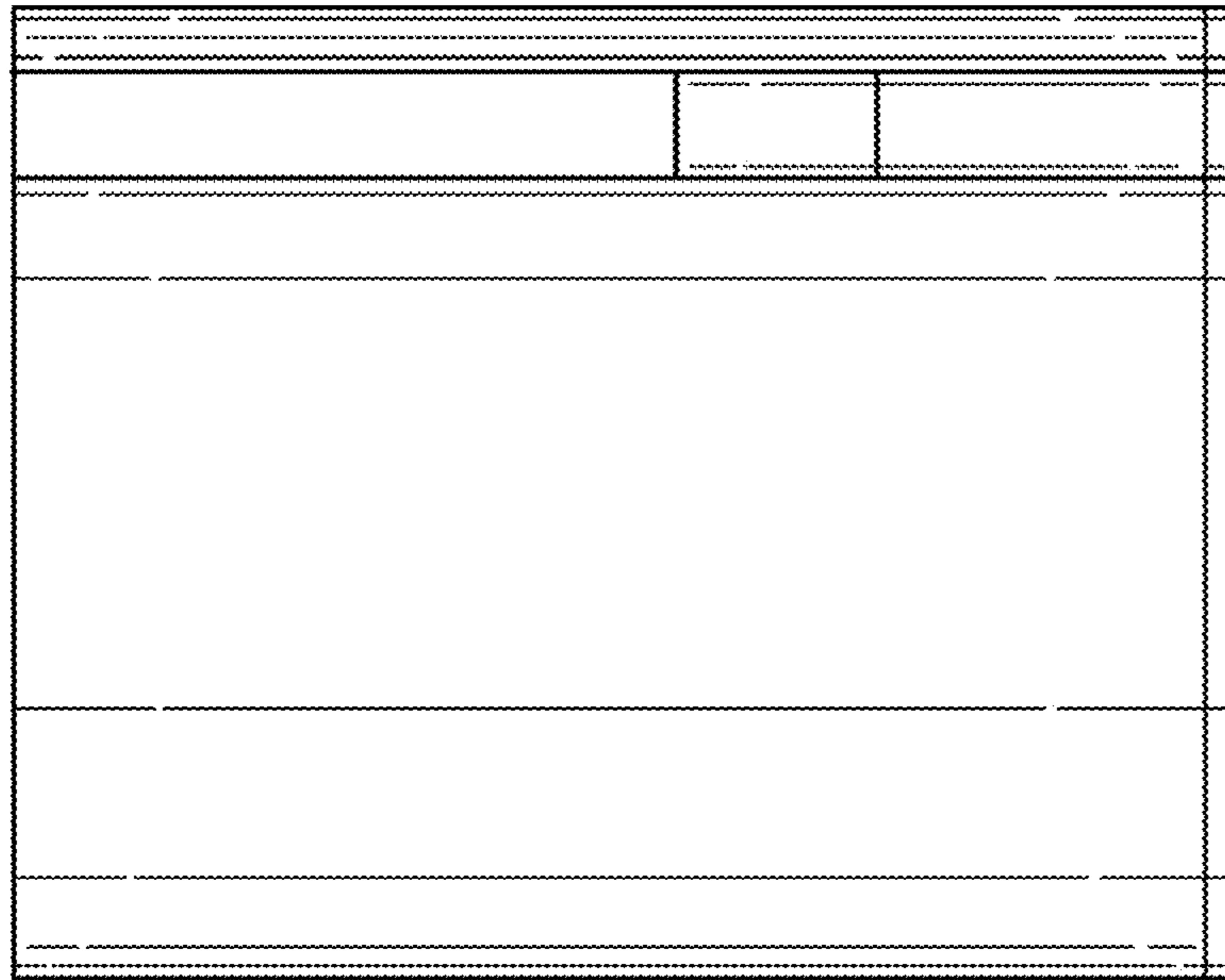


FIG. 6

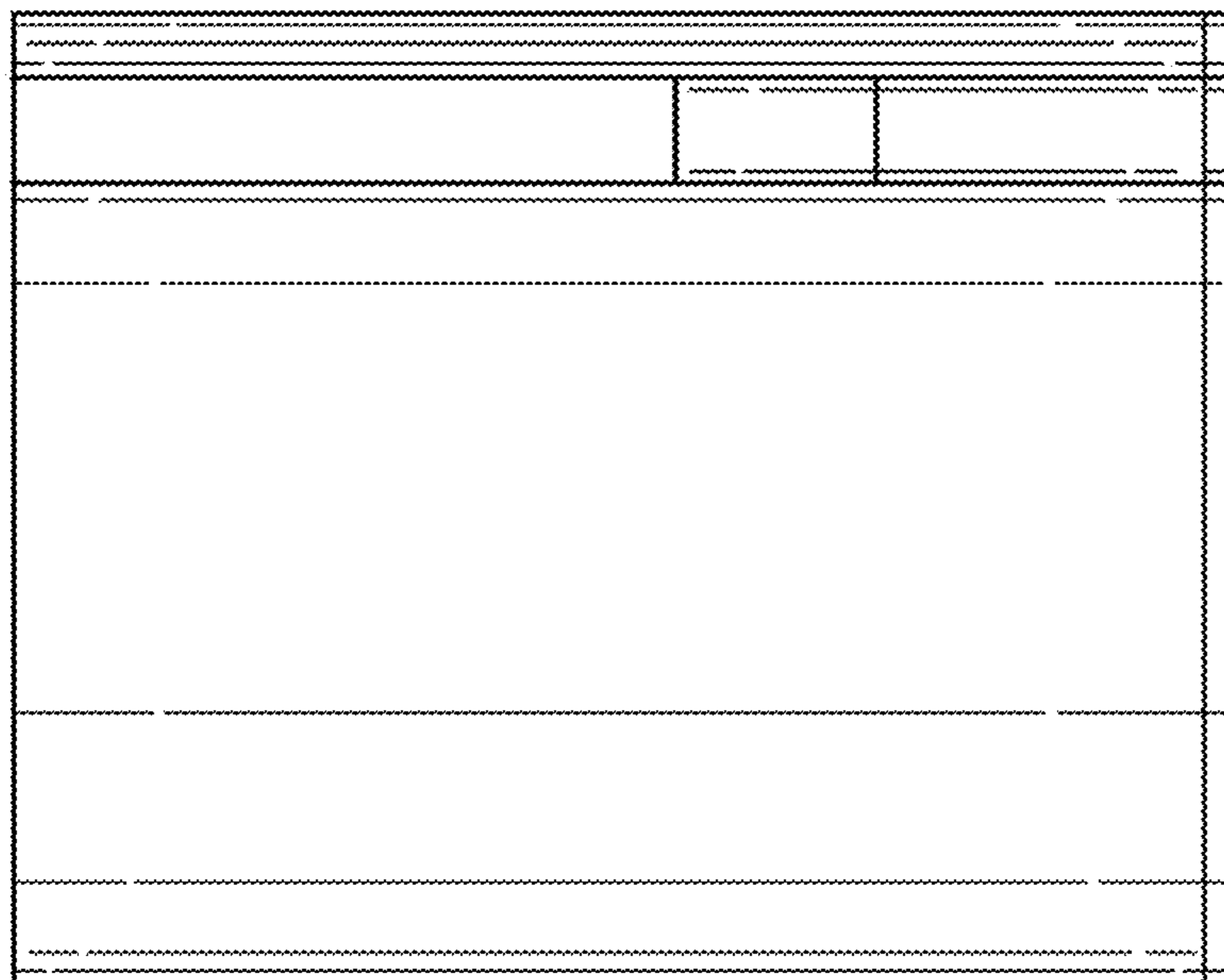


FIG. 5

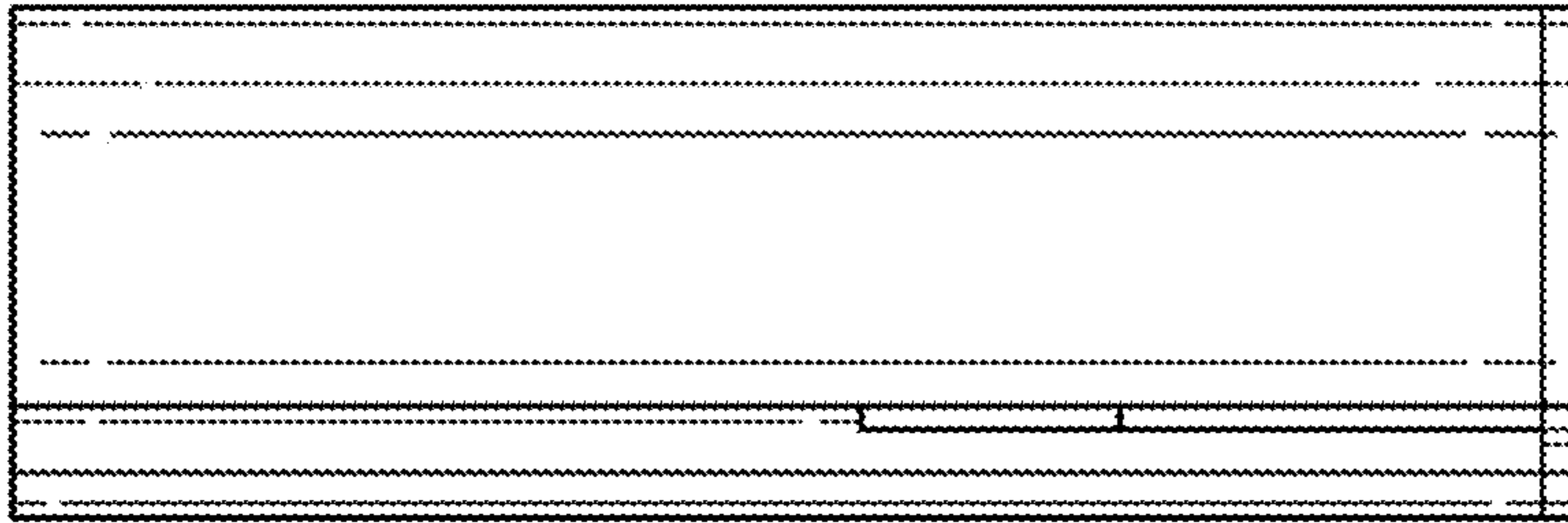


FIG. 8

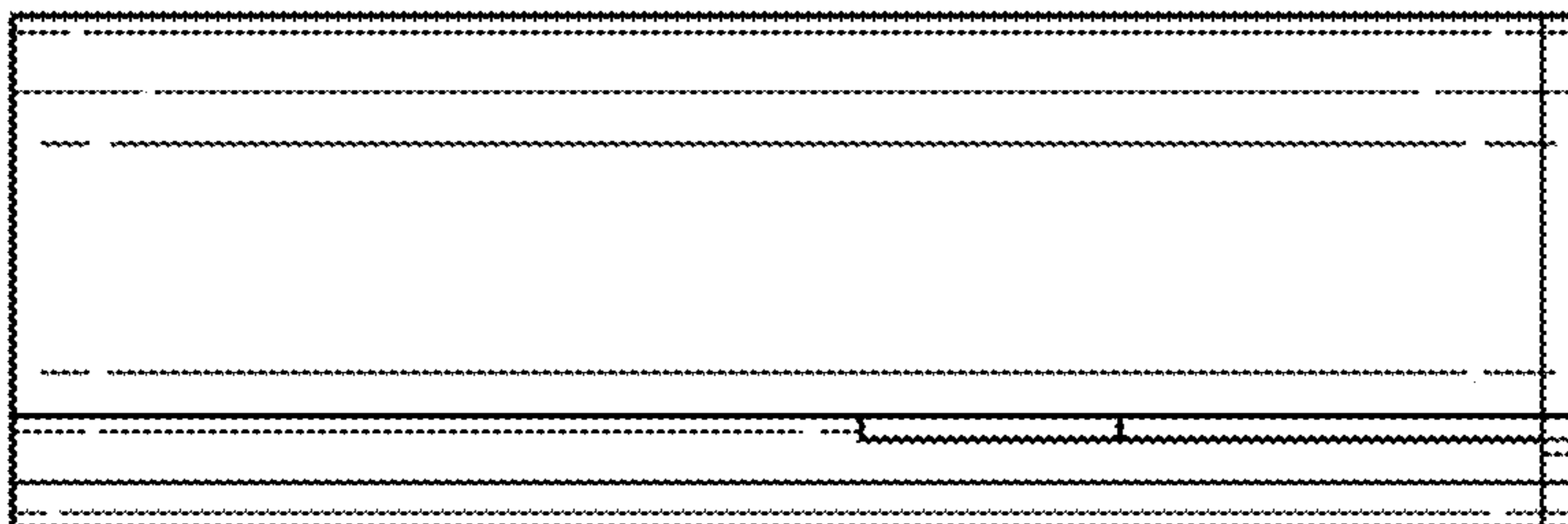


FIG. 7

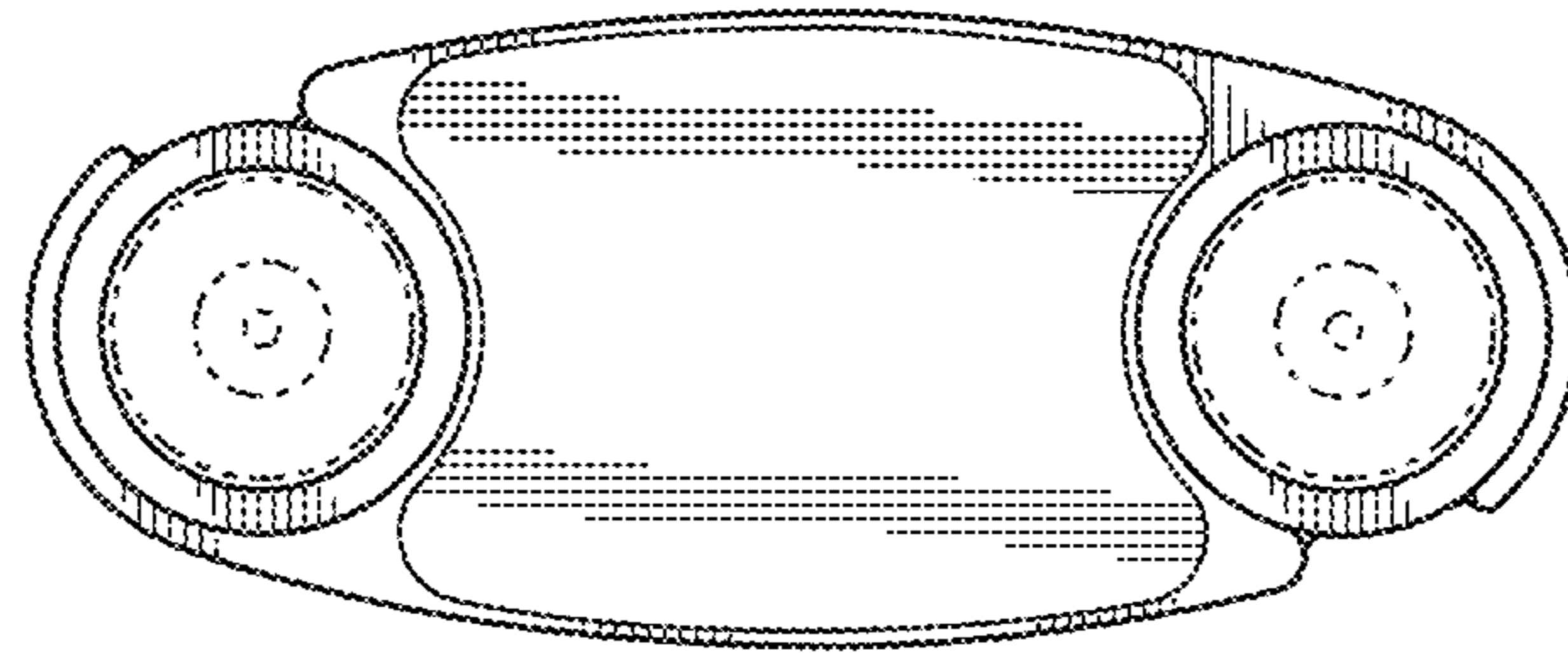


FIG. 9

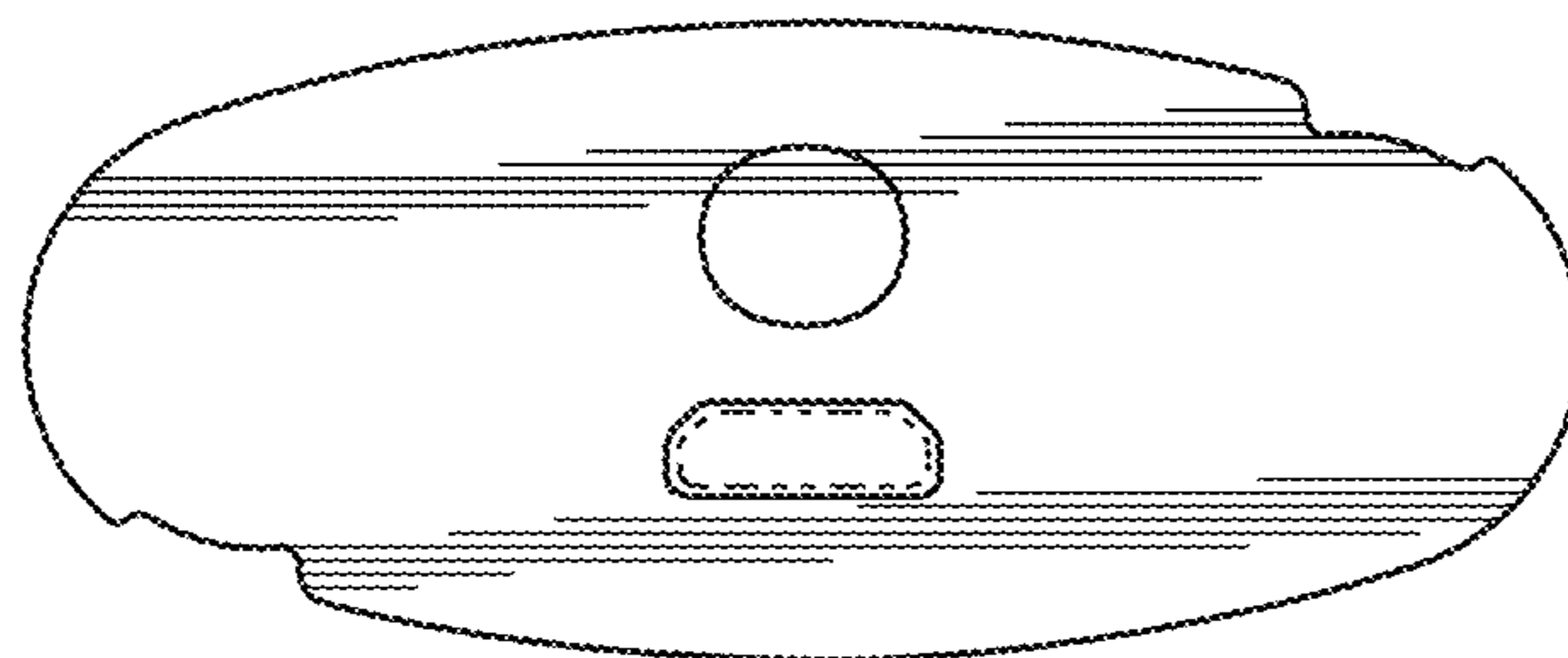


FIG. 10