



US00D922673S

(12) **United States Design Patent** (10) **Patent No.:** **US D922,673 S**
Elwell (45) **Date of Patent:** **** Jun. 15, 2021**

(54) **VEHICLE ACCESSORY BAR**
(71) Applicant: **Putco, Inc.**, Des Moines, IA (US)
(72) Inventor: **James P. Elwell**, Grimes, IA (US)
(73) Assignee: **Putco, Inc.**, Des Moines, IA (US)
(**) Term: **15 Years**
(21) Appl. No.: **29/698,195**
(22) Filed: **Jul. 15, 2019**
(51) **LOC (13) Cl.** **26-05**
(52) **U.S. Cl.**
USPC **D26/138**
(58) **Field of Classification Search**
USPC D26/76, 78, 79, 80, 81, 82, 83, 85, 86,
D26/88, 90, 113, 118, 119, 120, 121, 122,
D26/138, 139, 140, 141, 142
CPC F21S 2/00; F21S 4/00; F21S 4/003; F21S
4/005; F21S 4/006; F21S 4/007; F21S
4/008; F21S 6/00; F21S 8/00; F21S
8/024; F21S 8/026; F21S 8/031; F21S
8/033; F21S 8/035-037; F21S 8/04; F21S
8/043; F21S 8/063
See application file for complete search history.

(56) **References Cited**
U.S. PATENT DOCUMENTS
D293,098 S * 12/1987 Layton D13/155
6,903,265 B1 * 6/2005 VanderVelde H02G 3/0418
174/481
D661,813 S * 6/2012 Walker D25/38.1
D695,955 S * 12/2013 Klus D26/138
D755,988 S * 5/2016 Walker D25/38.1
D764,380 S * 8/2016 Conrad D12/317

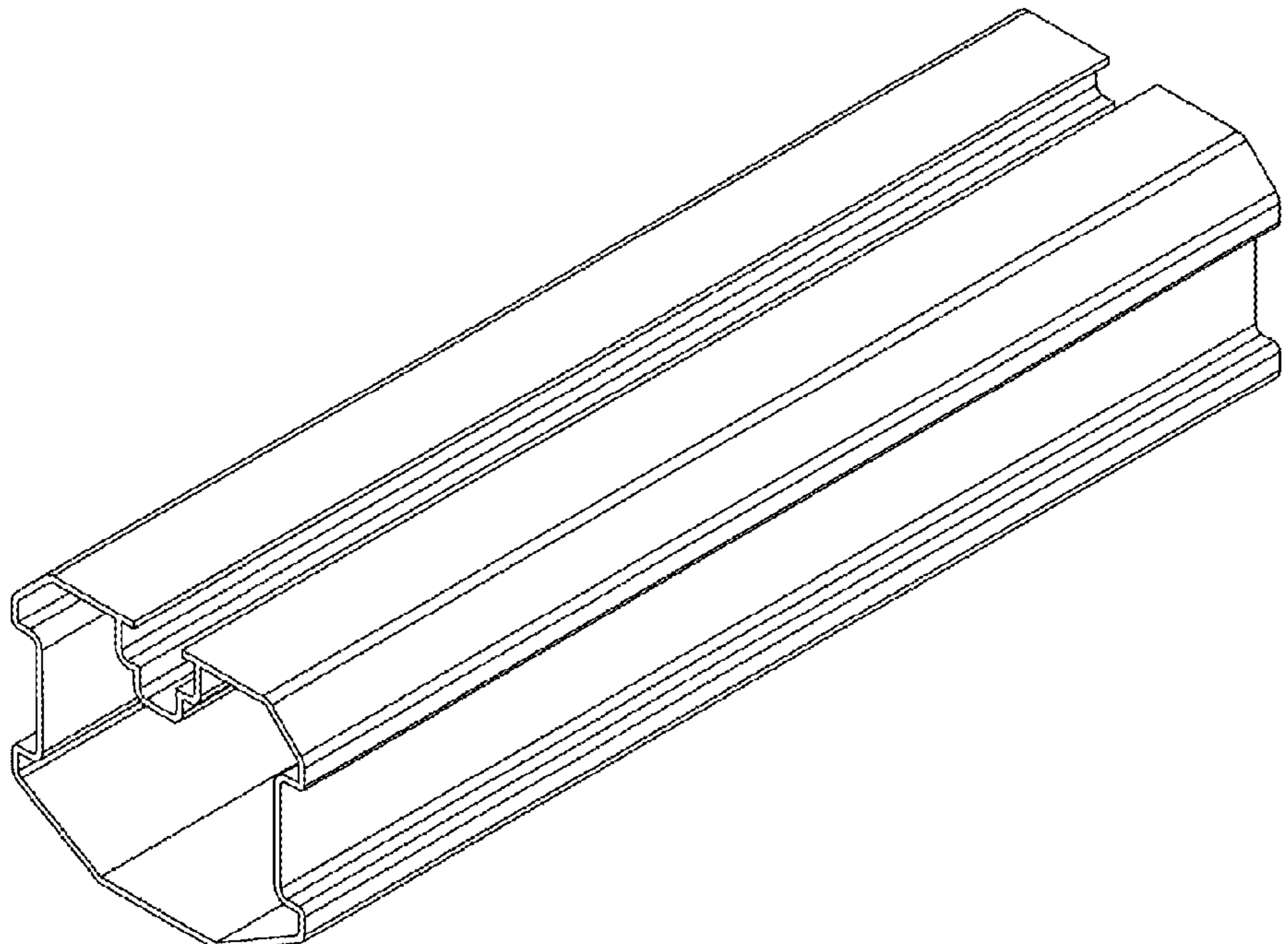
D775,374 S * 12/2016 Walker D25/126
D796,111 S * 8/2017 Trzcielinski D26/142
D800,347 S * 10/2017 Blick D25/119
D807,572 S * 1/2018 Klus D26/138
D847,412 S * 4/2019 Trzcielinski D26/138
D869,070 S * 12/2019 Trzcielinski D26/138
D869,073 S * 12/2019 Trzcielinski D26/138
D869,078 S * 12/2019 Trzcielinski D26/138
D882,160 S * 4/2020 Roys D26/138
D891,689 S * 7/2020 Trzcielinski D26/138
D901,066 S * 11/2020 Trzcielinski D26/138
D906,582 S * 12/2020 Trzcielinski D26/138
D907,841 S * 1/2021 Dobin D26/138
D912,299 S * 3/2021 Lin D26/76
2012/0293309 A1 * 11/2012 Spiro F21S 8/06
340/12.32

* cited by examiner
Primary Examiner — Mark A Goodwin
Assistant Examiner — Benjamin M Weeks
(74) *Attorney, Agent, or Firm* — McKee, Voorhees & Sease, PLC

(57) **CLAIM**
The ornamental design for a vehicle accessory bar, as shown and described.

DESCRIPTION
FIG. 1 is a top perspective view of a vehicle accessory bar; FIG. 2 is a bottom perspective view thereof; FIG. 3 is a front elevation view thereof, the rear elevation view being a mirror image thereof; FIG. 4 is a top elevation view thereof; FIG. 5 is a bottom elevation view thereof; and, FIG. 6 is a left side elevation view thereof, the right side elevation view being a mirror image thereof.

1 Claim, 5 Drawing Sheets



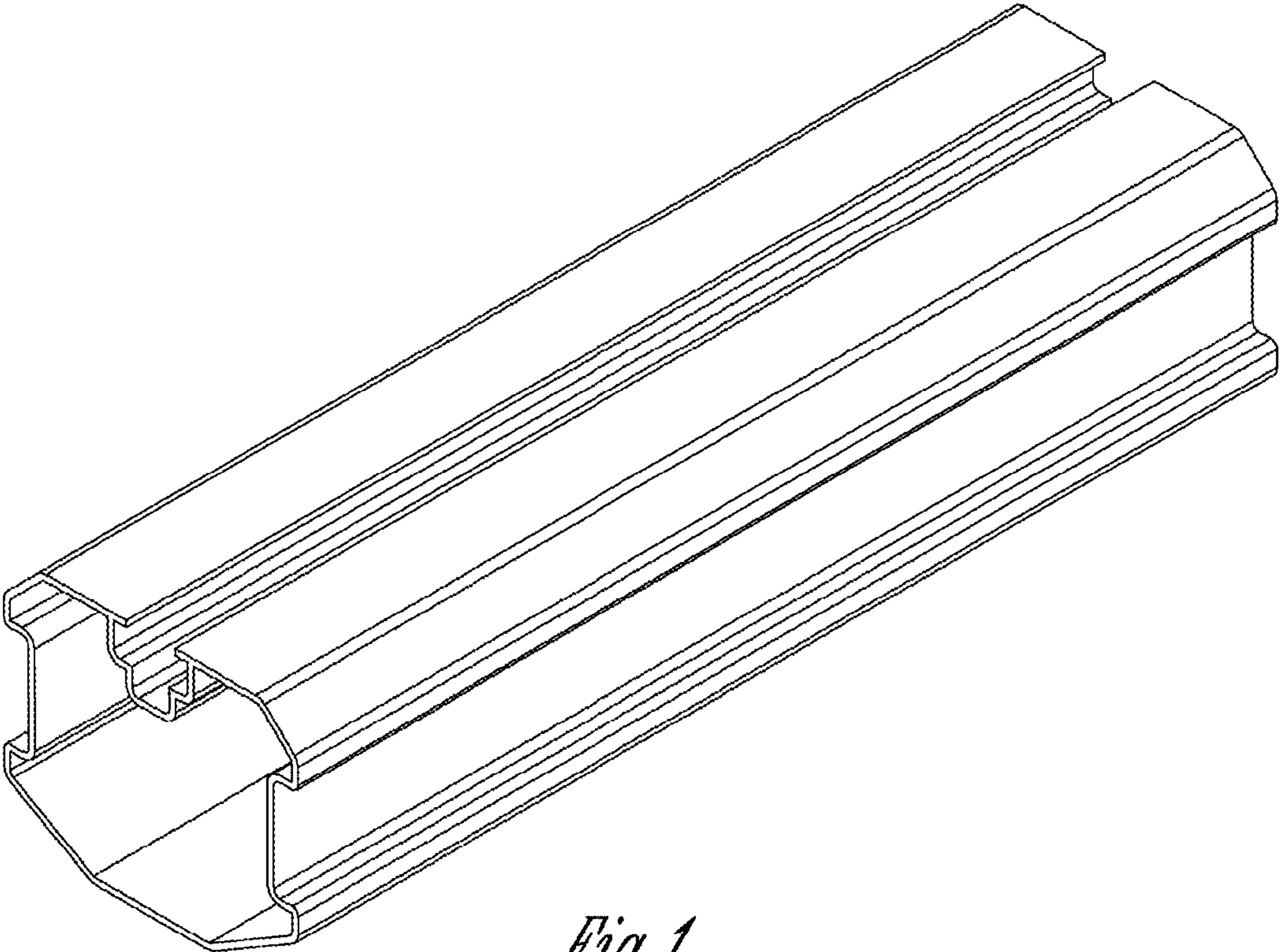


Fig. 1

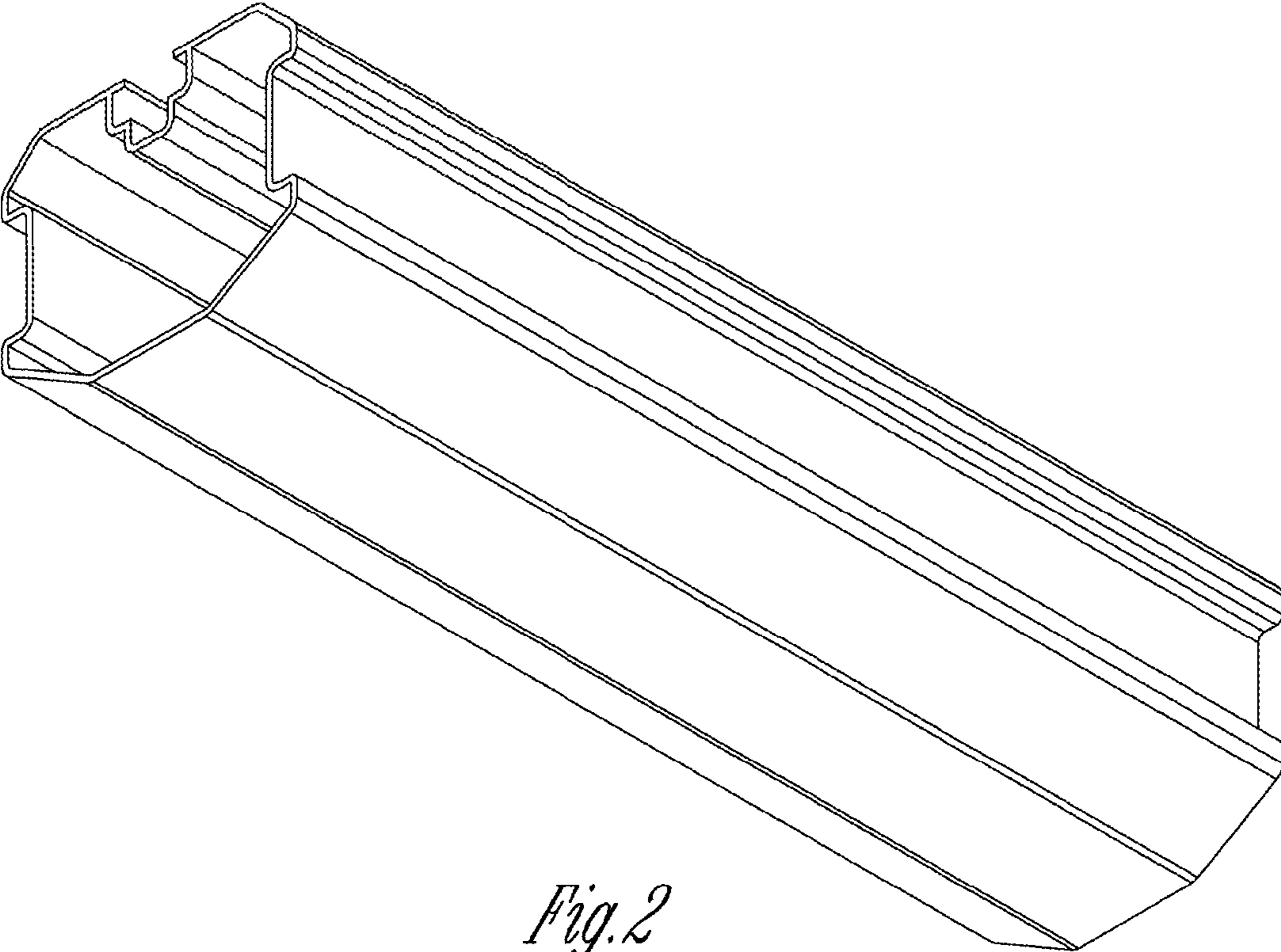


Fig. 2

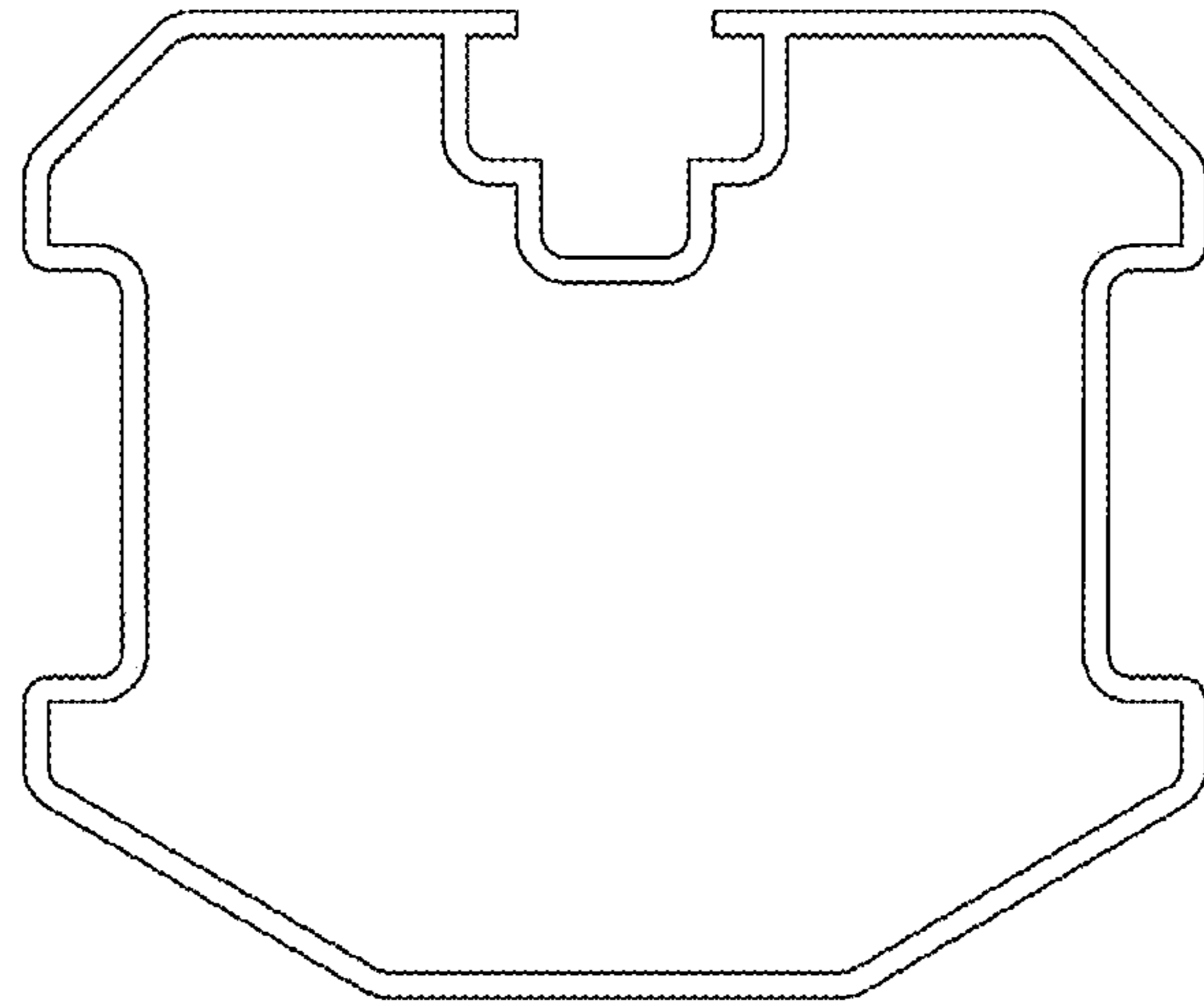


Fig. 3

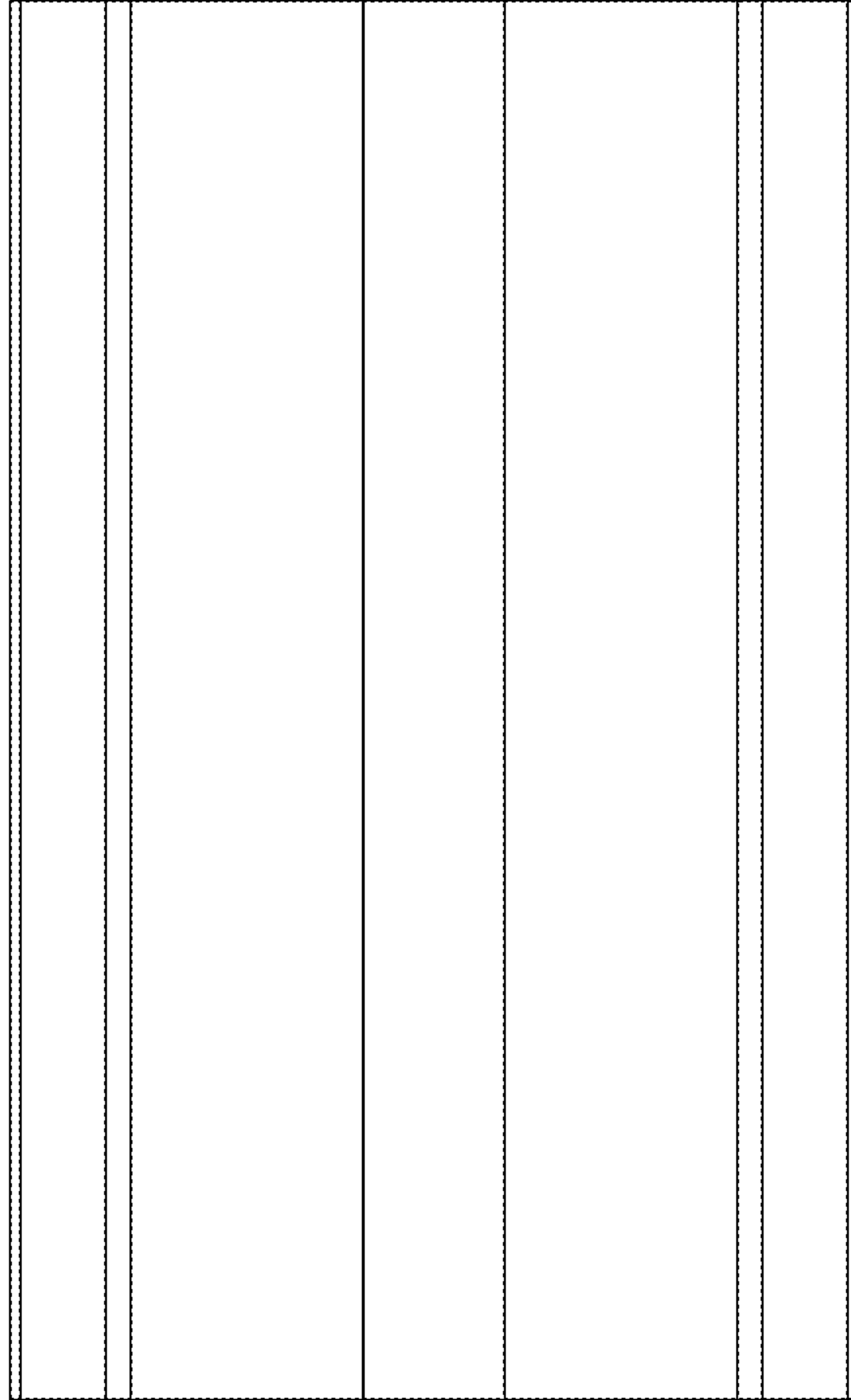


Fig. 4

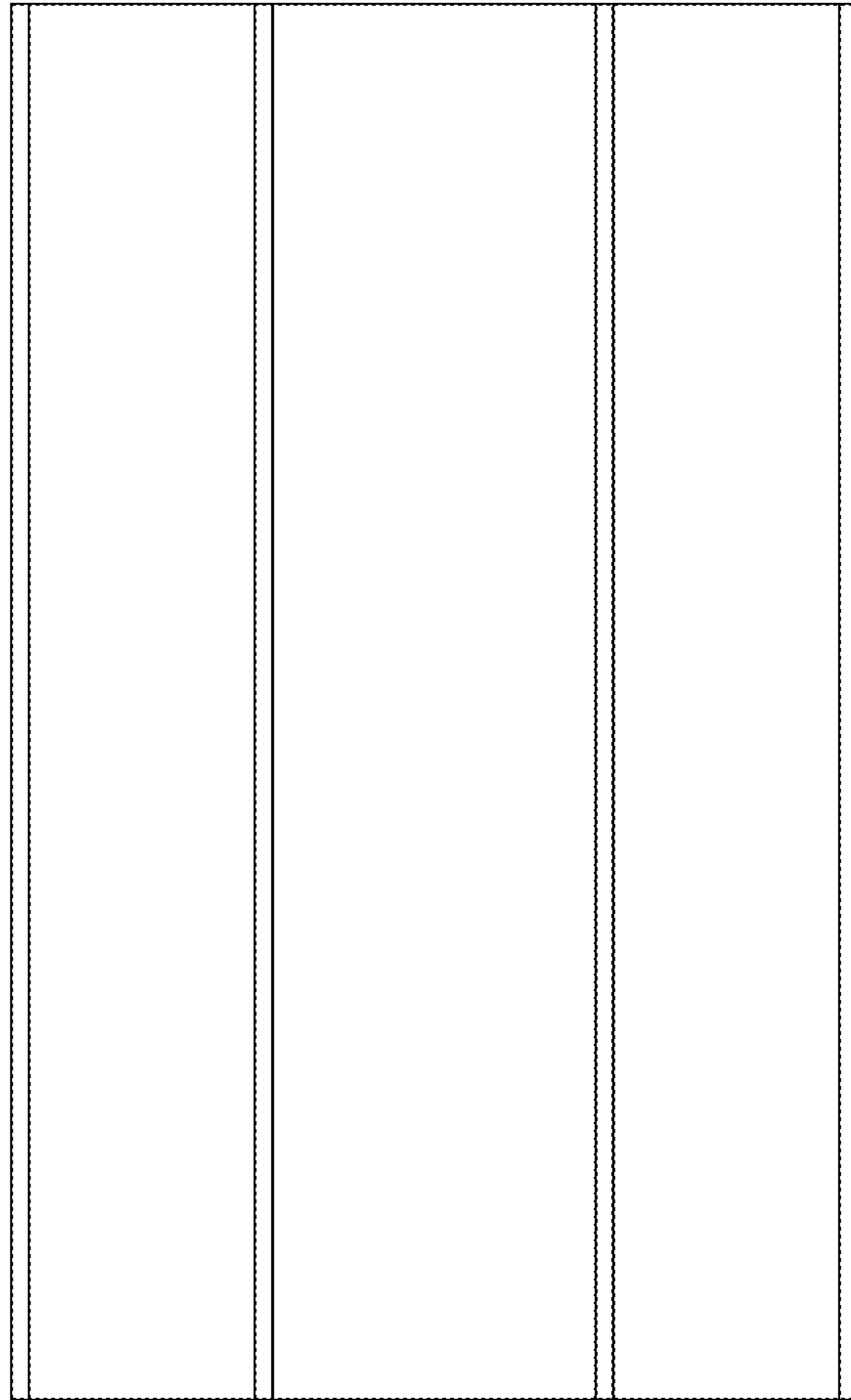


Fig. 5

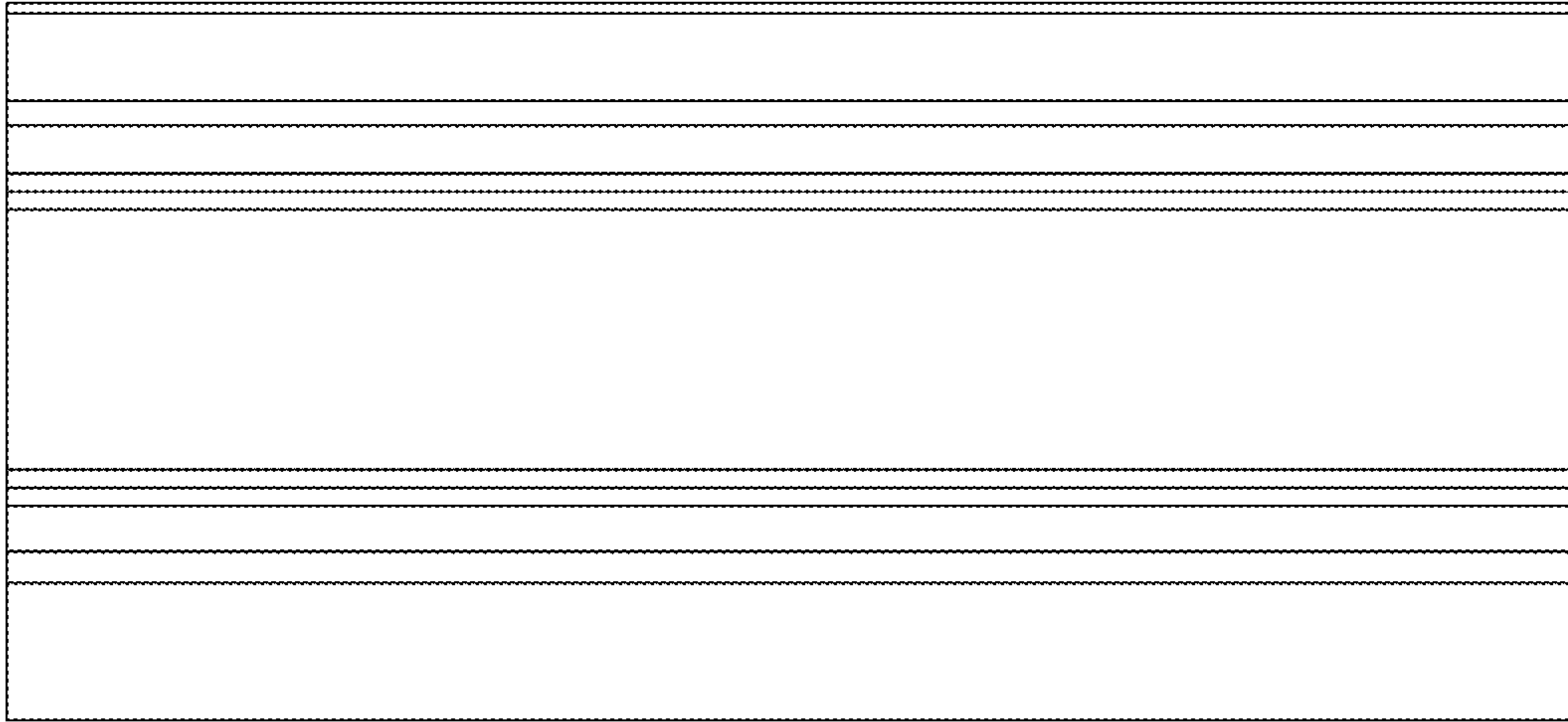


Fig. 6