



US00D922672S

(12) **United States Design Patent**
Elwell

(10) **Patent No.:** **US D922,672 S**
(45) **Date of Patent:** **** Jun. 15, 2021**

(54) **LIGHT BAR HOUSING WITH NARROW OPENING**

(71) Applicant: **Putco, Inc.**, Des Moines, IA (US)

(72) Inventor: **James P. Elwell**, Grimes, IA (US)

(73) Assignee: **Putco, Inc.**, Des Moines, IA (US)

(**) Term: **15 Years**

(21) Appl. No.: **29/698,191**

(22) Filed: **Jul. 15, 2019**

(51) **LOC (13) Cl.** **26-05**

(52) **U.S. Cl.**
USPC **D26/138**

(58) **Field of Classification Search**
USPC D26/76, 78, 79, 80, 81, 82, 83, 85, 86,
D26/88, 90, 113, 118, 119, 120, 121, 122,
D26/138, 139, 140, 141, 142
CPC F21S 2/00; F21S 4/00; F21S 4/003; F21S
4/005; F21S 4/006; F21S 4/007; F21S
4/008; F21S 6/00; F21S 8/00; F21S
8/024; F21S 8/026; F21S 8/031; F21S
8/033; F21S 8/035-037; F21S 8/04; F21S
8/043; F21S 8/063
See application file for complete search history.

(56) **References Cited**

U.S. PATENT DOCUMENTS

3,974,418 A * 8/1976 Fridrich F21V 15/015
315/59
D361,153 S * 8/1995 Fernandes D13/155
D565,785 S * 4/2008 Kerr D26/113

D617,488 S * 6/2010 Cho D26/76
D693,048 S * 11/2013 Ng D26/89
D695,942 S * 12/2013 Ng D26/75
D698,075 S * 1/2014 Klus D26/138
D703,857 S * 4/2014 Soni D26/75
D754,902 S * 4/2016 Parker D26/76
D760,939 S * 7/2016 Hoang D26/85
D796,721 S * 9/2017 Boorom D26/72
D815,336 S * 4/2018 Plourde D26/120
D831,257 S * 10/2018 Boulanger D26/76
D851,805 S * 6/2019 Chen D26/76
D862,766 S * 10/2019 Kim D26/76
D864,456 S * 10/2019 Lin D26/76
D904,675 S * 12/2020 Trzcielinski D26/138

* cited by examiner

Primary Examiner — Mark A Goodwin
Assistant Examiner — Benjamin M Weeks
(74) *Attorney, Agent, or Firm* — McKee, Voorhees & Sease, PLC

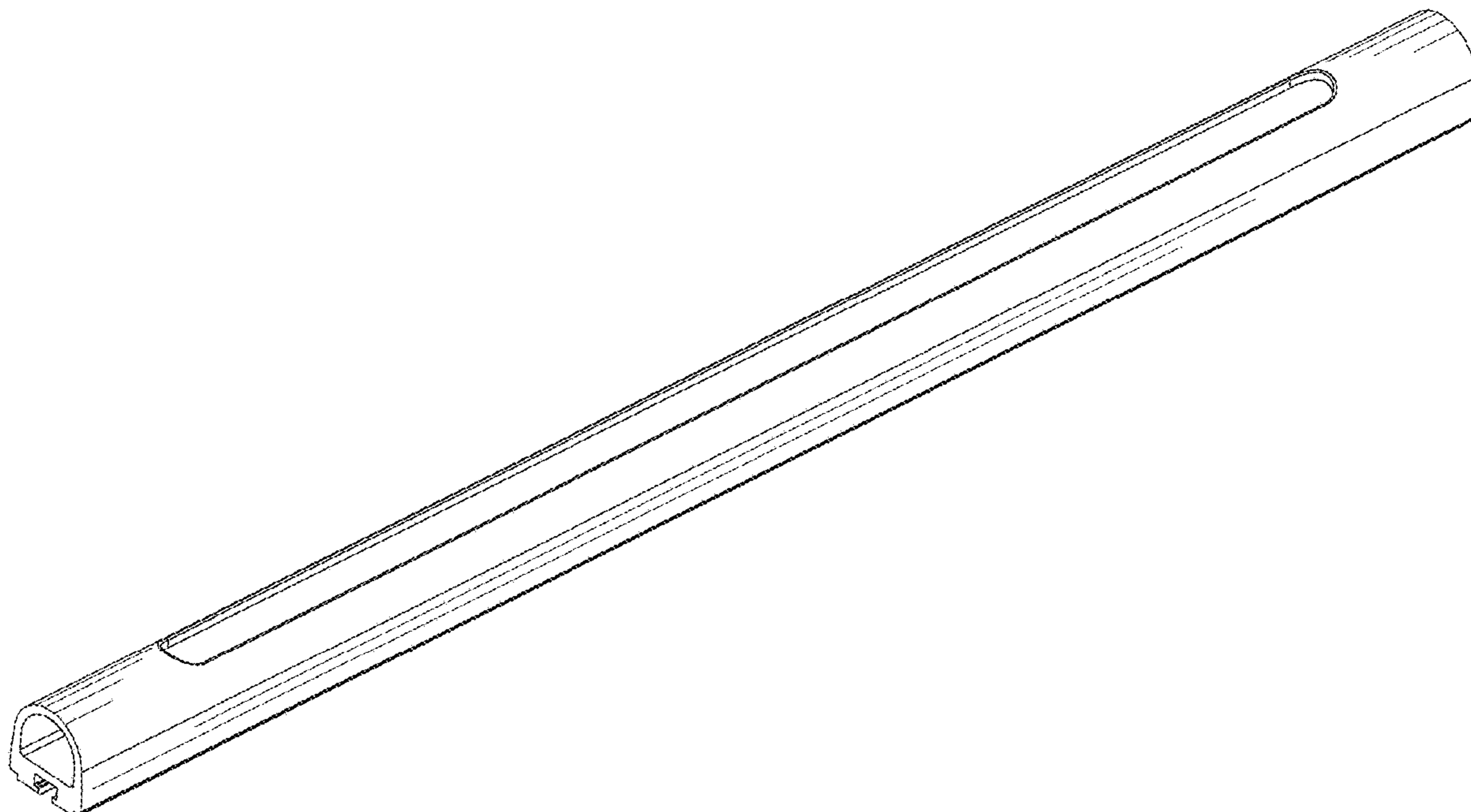
(57) **CLAIM**

The ornamental design for a light bar housing with narrow opening, as shown and described.

DESCRIPTION

FIG. 1 is a top perspective view of a light bar housing with narrow opening;
FIG. 2 is a bottom perspective view thereof;
FIG. 3 is a top elevation view thereof;
FIG. 4 is a left side elevation view thereof, the right side elevation view being a mirror image thereof;
FIG. 5 is a bottom elevation view thereof; and,
FIG. 6 is a front elevation view thereof, the rear elevation view being a mirror image thereof.

1 Claim, 3 Drawing Sheets



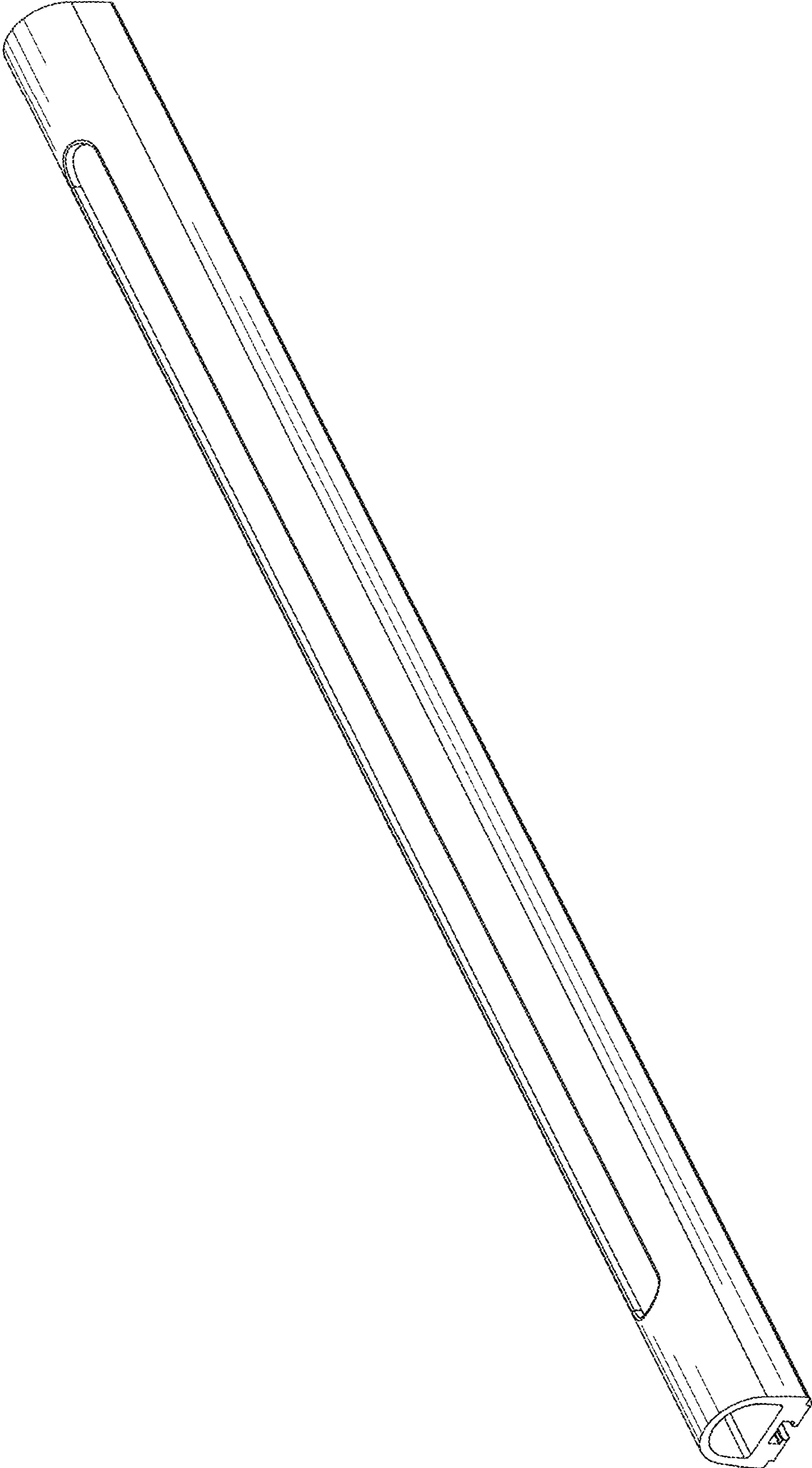


Fig. 1

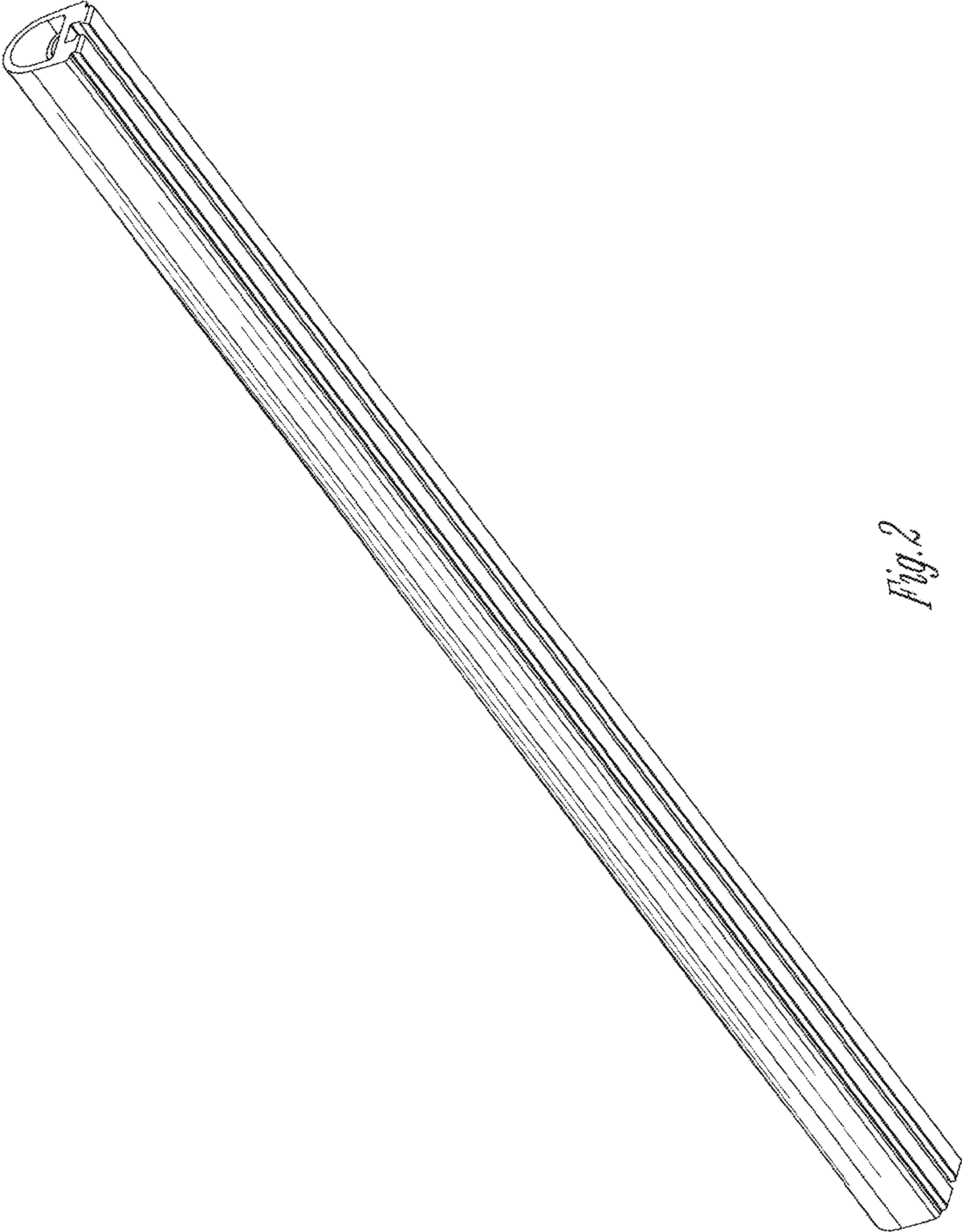


Fig. 2

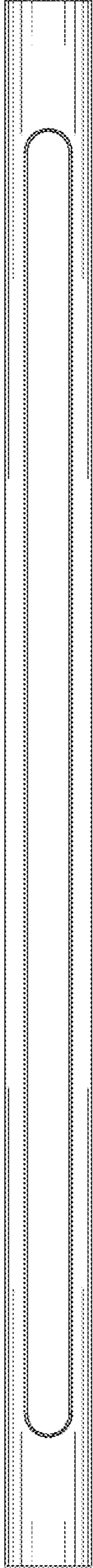


Fig. 3



Fig. 4



Fig. 5

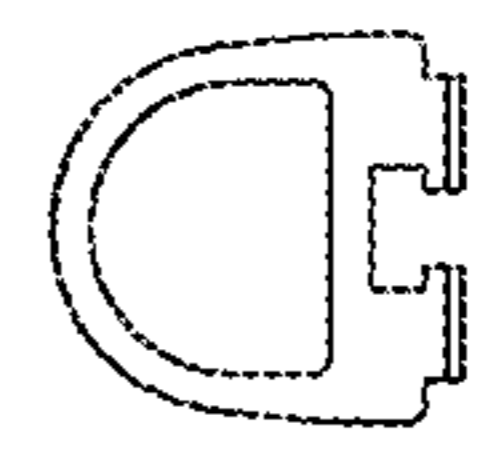


Fig. 6