



US00D922668S

(12) **United States Design Patent**  
**Zhu**

(10) **Patent No.:** **US D922,668 S**

(45) **Date of Patent:** **\*\* Jun. 15, 2021**

(54) **LAMPSHADE**

(71) Applicant: **Dongguan City Xiongke Electronic Technology Co., Ltd, Dongguan (CN)**

(72) Inventor: **Chuzhang Zhu, Dongguan (CN)**

(\*\*) Term: **15 Years**

(21) Appl. No.: **29/712,154**

(22) Filed: **Nov. 6, 2019**

(51) **LOC (13) Cl.** ..... **26-05**

(52) **U.S. Cl.**  
USPC ..... **D26/118**

(58) **Field of Classification Search**  
USPC .... D26/81, 85, 88, 105, 106, 118, 119, 124,  
D26/128, 129, 135, 137; 362/317, 355,  
362/359, 362, 363  
CPC ..... F21V 1/00; F21V 1/14; F21V 1/18; F21V  
1/20; F21V 1/22; F21V 1/24; F21V  
1/143; F21V 7/00; F21V 7/041; F21V  
7/043; F21V 7/0091; F21V 3/00; F21V  
3/02; F21V 3/049; F21V 3/061; F21V  
3/0615; F21V 15/00; F21V 15/01; F21V  
15/012

See application file for complete search history.

(56) **References Cited**

**U.S. PATENT DOCUMENTS**

D251,871 S \* 5/1979 Horn ..... D26/91  
D339,207 S \* 9/1993 Porter ..... D26/130

D466,642 S \* 12/2002 Hsu ..... D26/134  
D468,053 S \* 12/2002 Hsu ..... D26/130  
D468,054 S \* 12/2002 Hsu ..... D26/131  
D634,470 S \* 3/2011 Hsieh ..... D26/118  
D787,110 S \* 5/2017 Hood ..... D26/119  
D792,016 S \* 7/2017 de Bevilacqua ..... D26/118

\* cited by examiner

*Primary Examiner* — Wan Laymon  
*Assistant Examiner* — Clint A Samuel

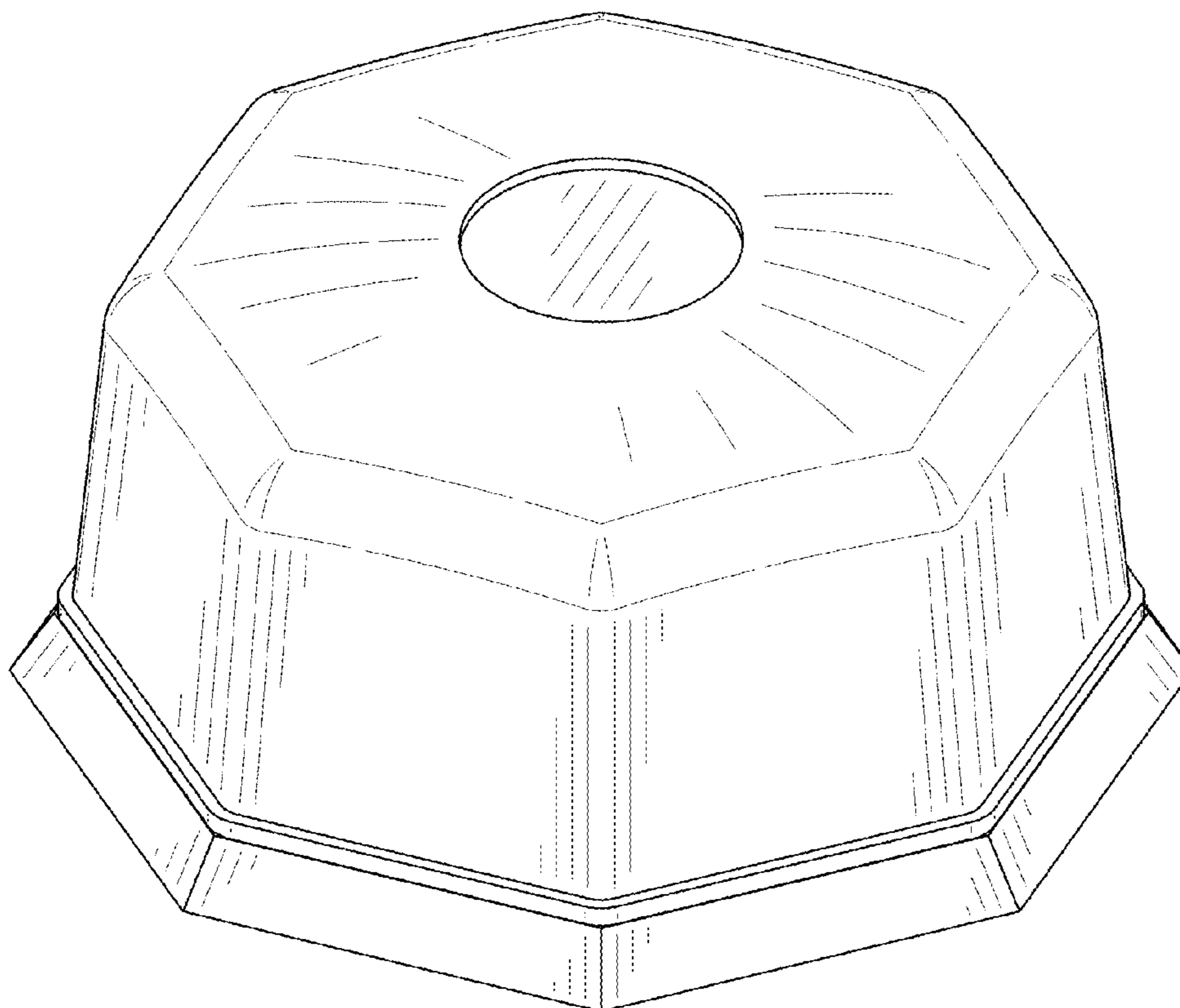
(57) **CLAIM**

The ornamental design for a lampshade, as shown and described.

**DESCRIPTION**

FIG. 1 is a first perspective view of a lampshade showing my new design;  
FIG. 2 is a second perspective view thereof;  
FIG. 3 is a front view thereof;  
FIG. 4 is a back view thereof;  
FIG. 5 is a left side view thereof;  
FIG. 6 is a right side view thereof;  
FIG. 7 is a top view thereof; and,  
FIG. 8 is a bottom view thereof.  
The broken lines shown in the drawings depict portions of the lampshade in which the design is embodied that form no part of the claimed design.

**1 Claim, 8 Drawing Sheets**



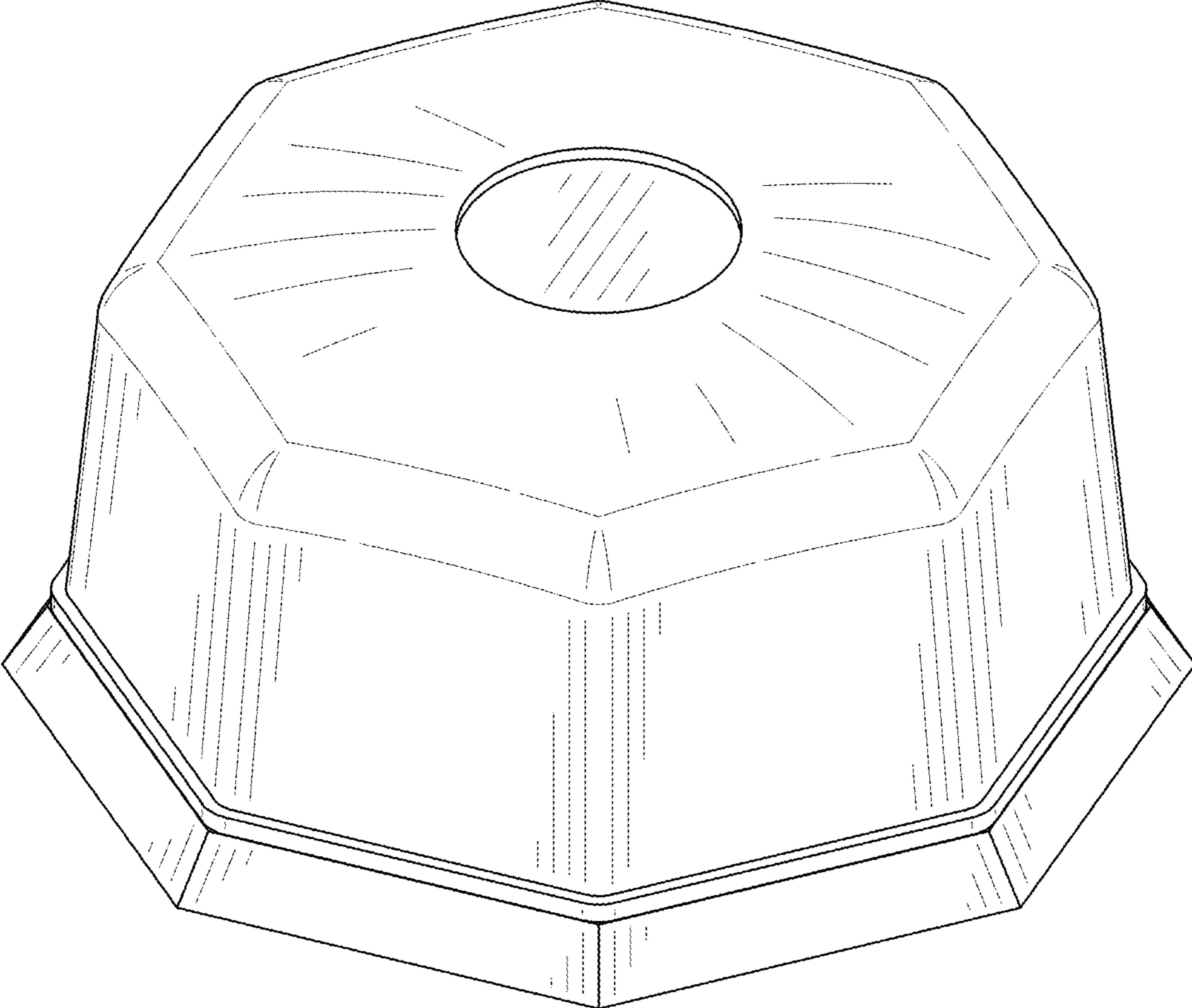


FIG. 1

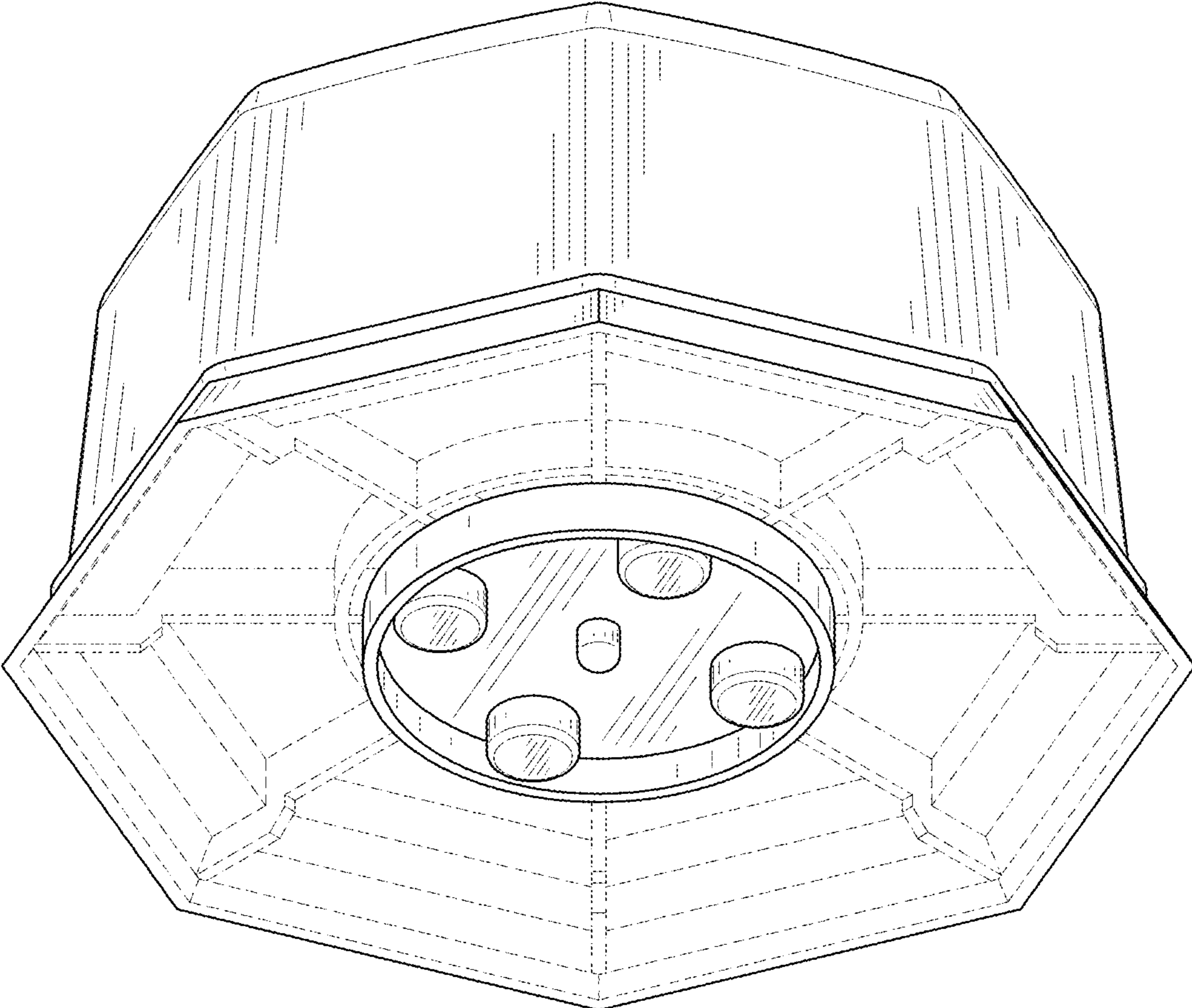


FIG. 2

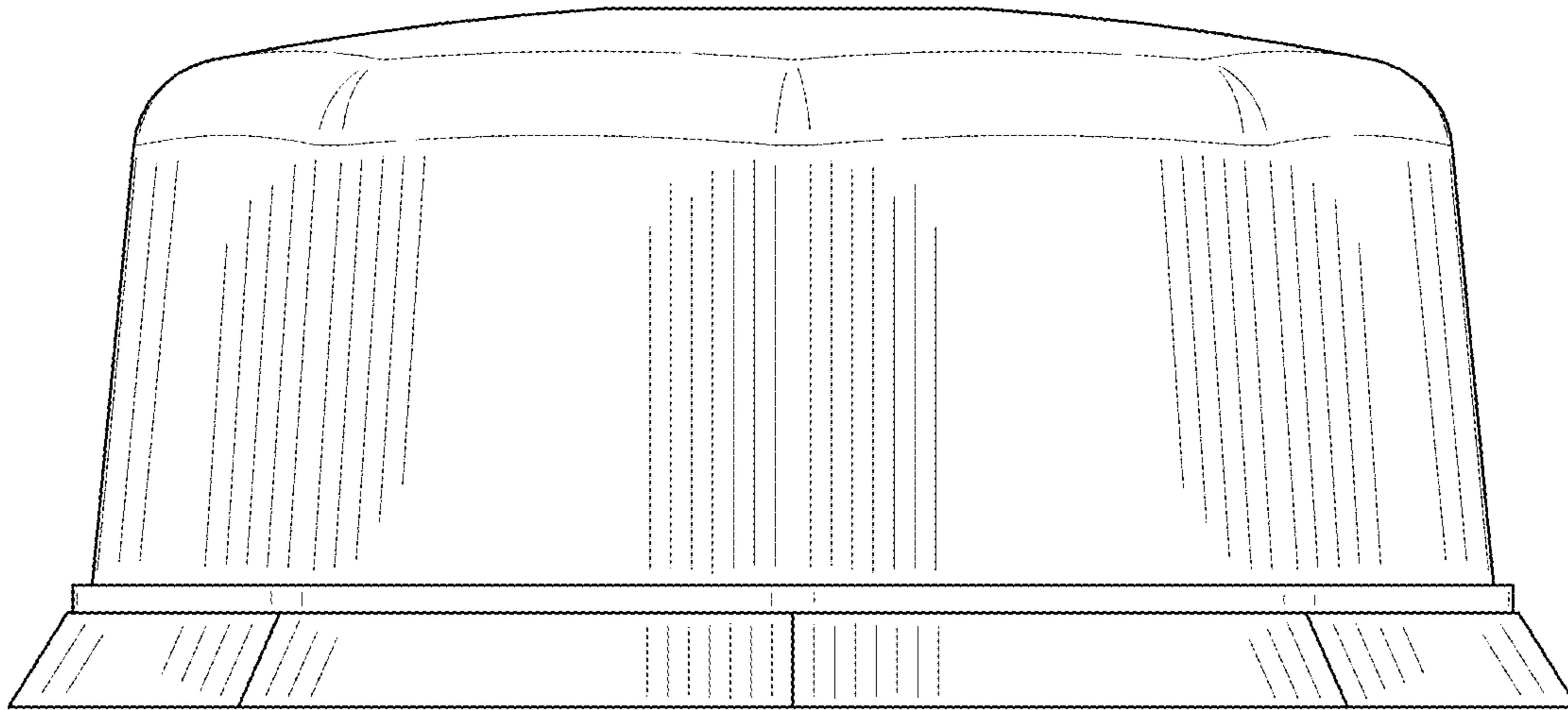


FIG. 3

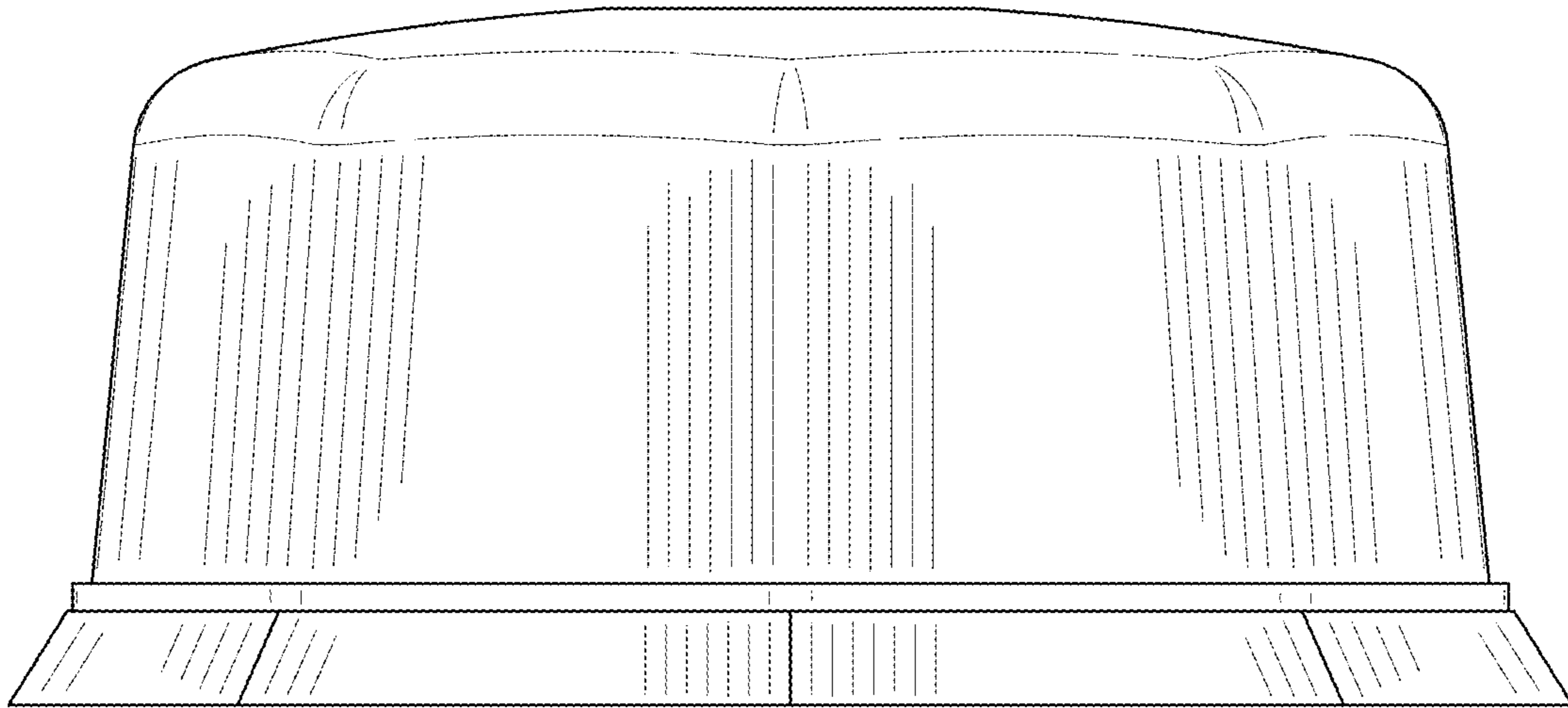


FIG. 4

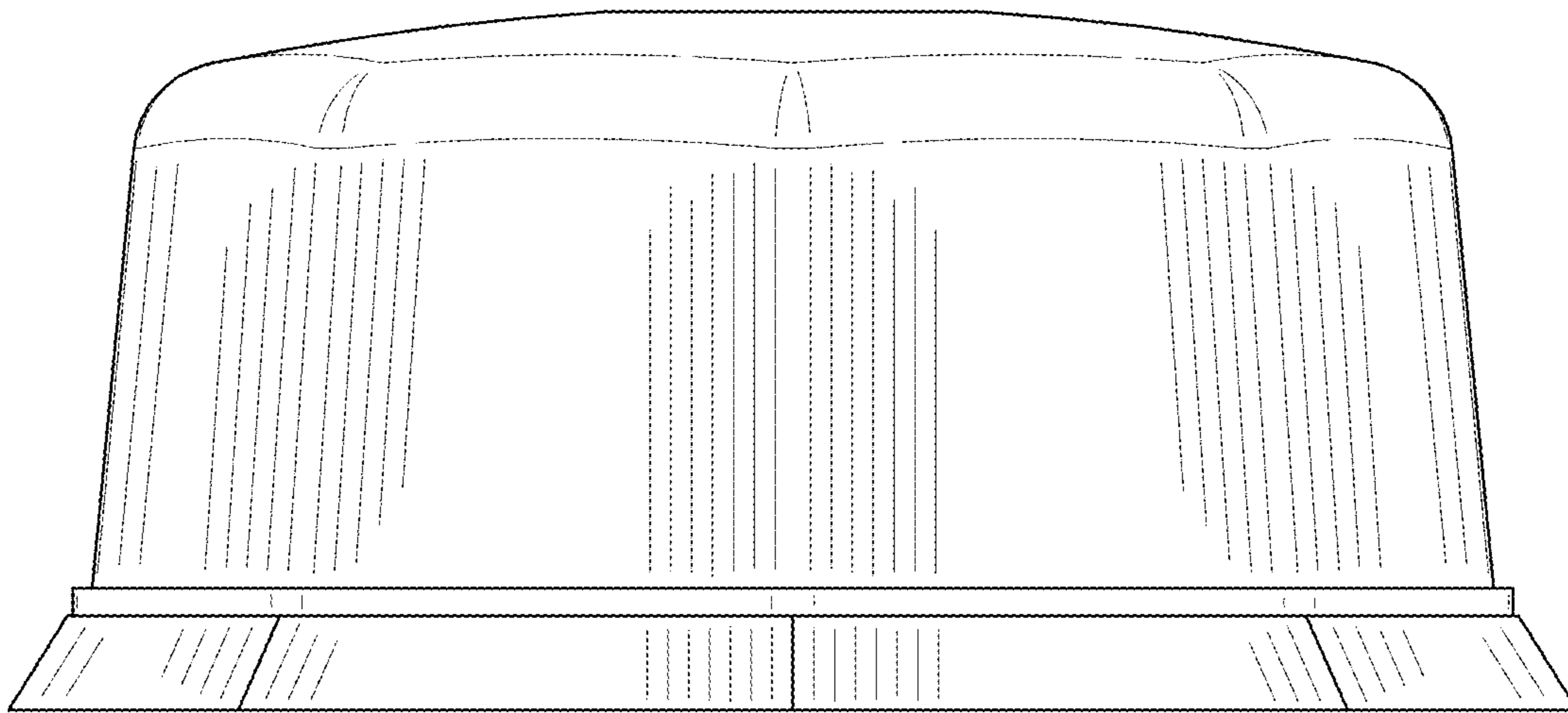


FIG. 5

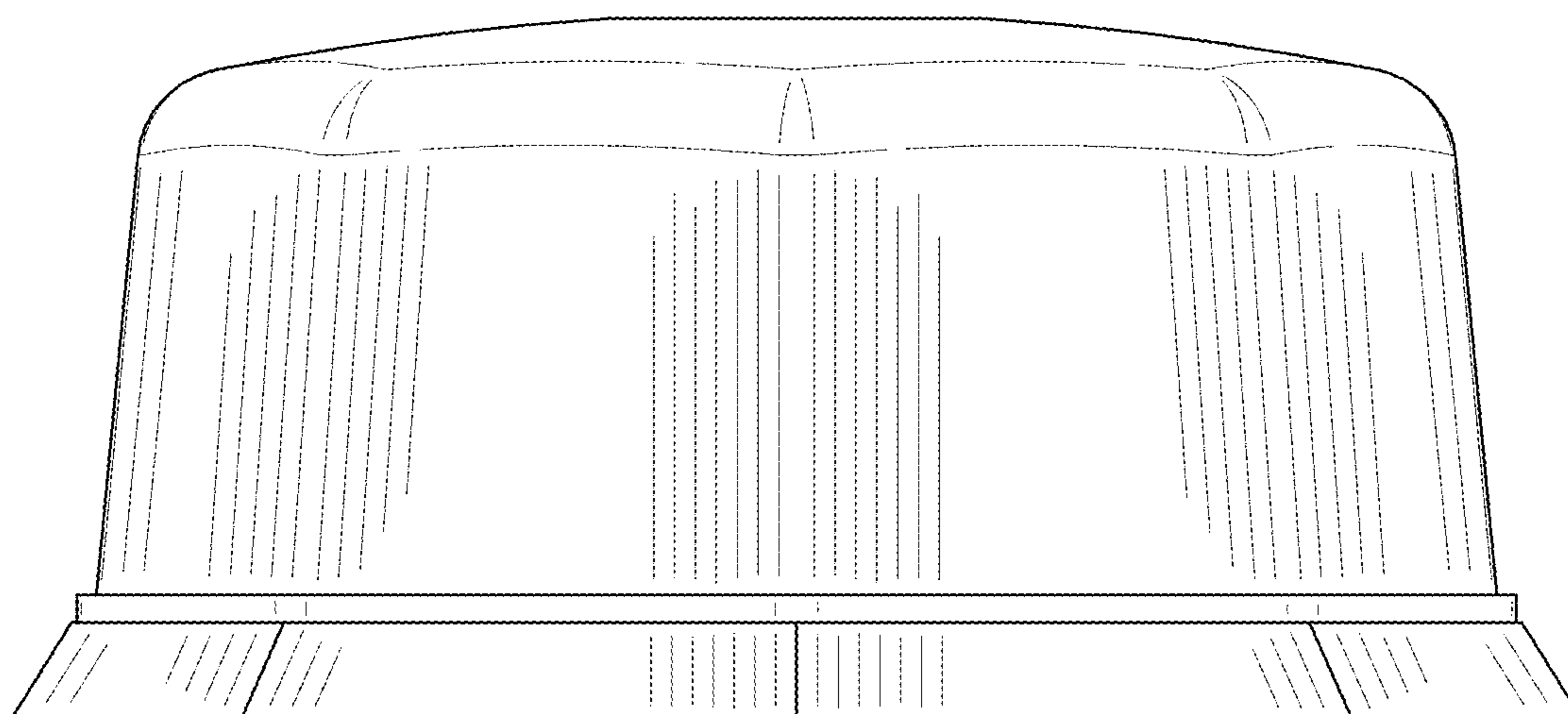


FIG. 6

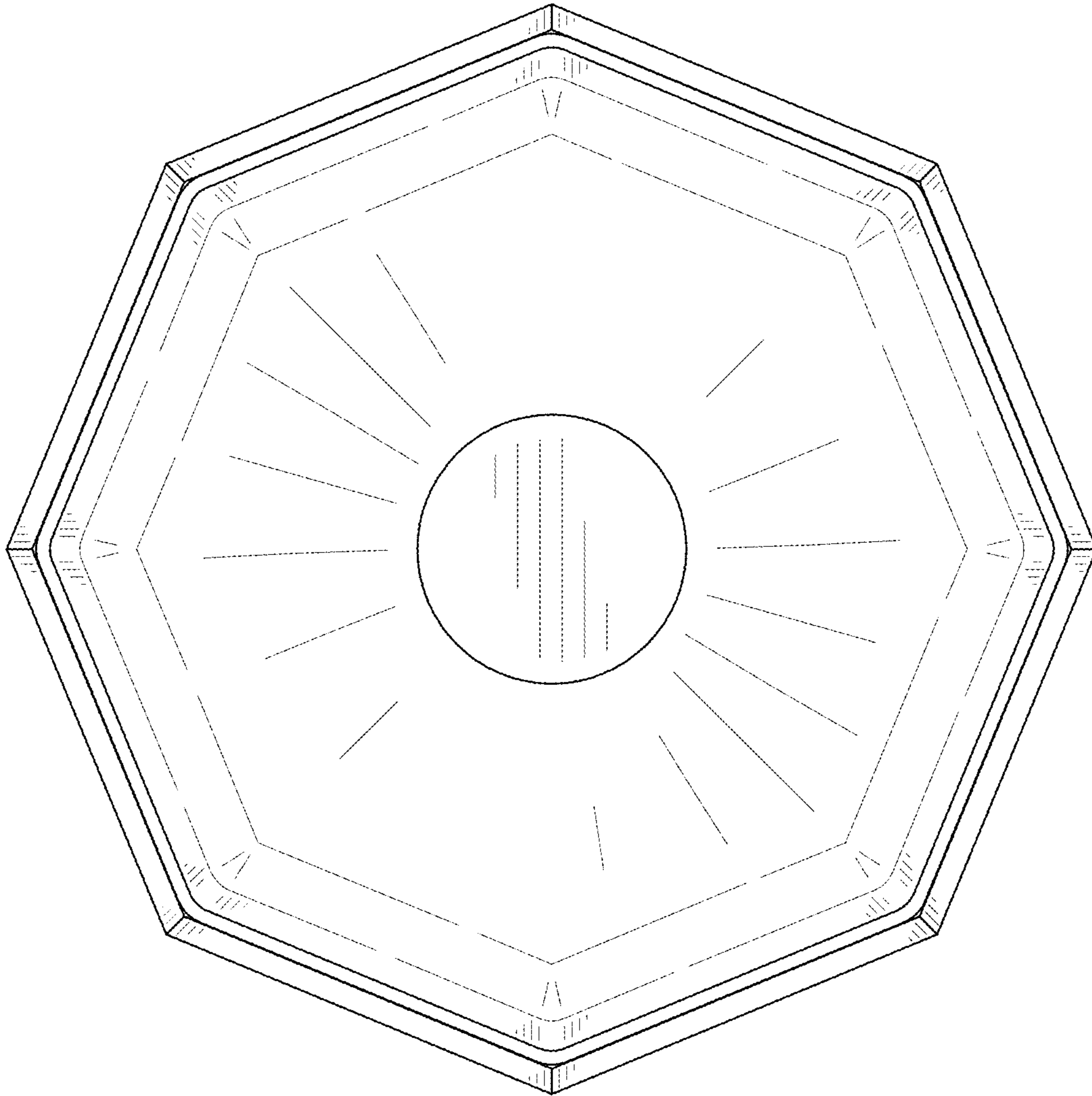


FIG. 7



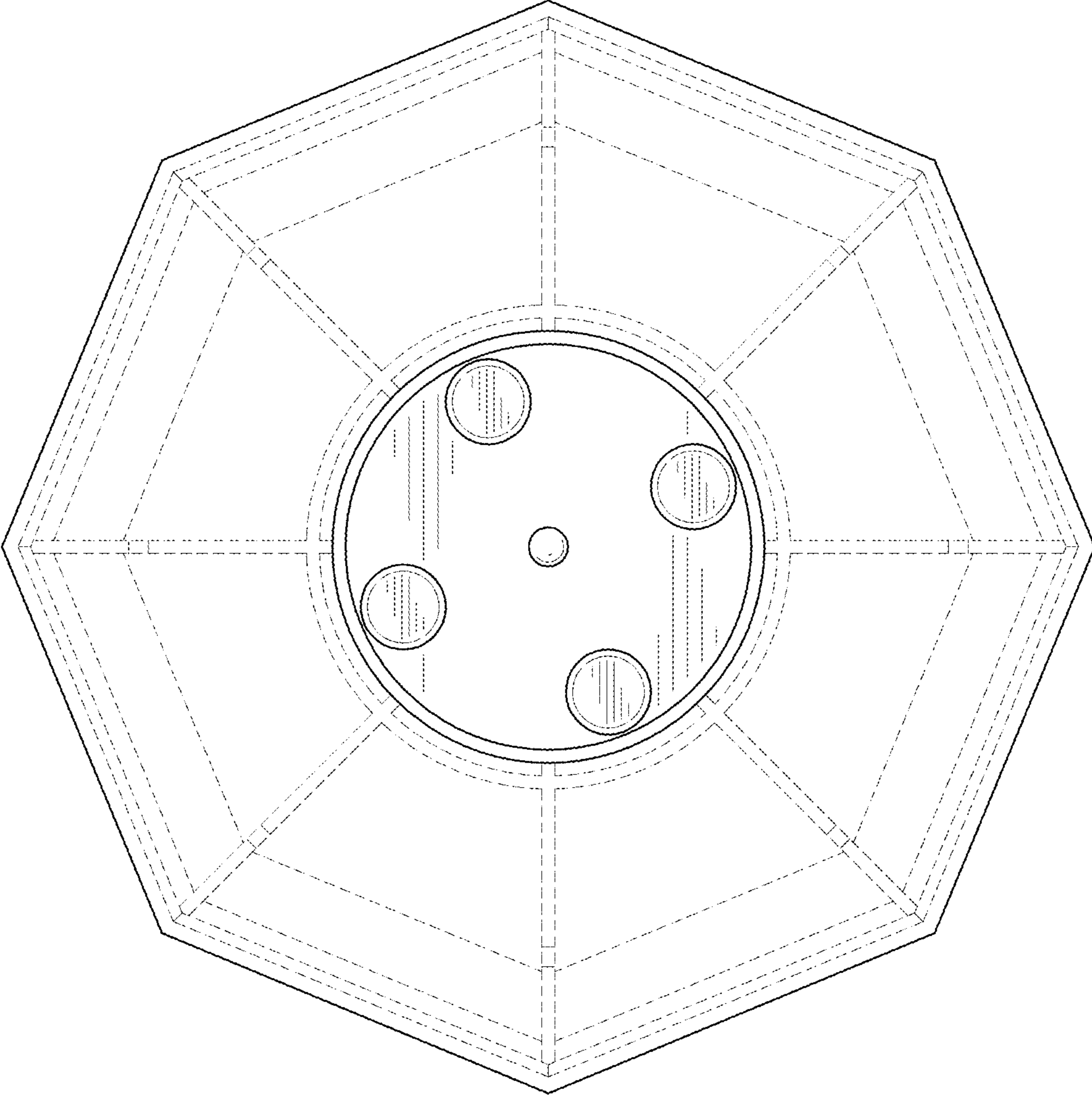


FIG. 8