



US00D922667S

(12) **United States Design Patent** (10) **Patent No.:** **US D922,667 S**  
**Hu** (45) **Date of Patent:** **\*\* Jun. 15, 2021**

(54) **LED PLANT LAMP**  
(71) Applicant: **Dongwen Hu**, Zigong (CN)  
(72) Inventor: **Dongwen Hu**, Zigong (CN)  
(\*\*) Term: **15 Years**  
(21) Appl. No.: **29/689,923**  
(22) Filed: **May 2, 2019**  
(51) **LOC (13) Cl.** ..... **26-05**  
(52) **U.S. Cl.**  
USPC ..... **D26/118**  
(58) **Field of Classification Search**  
USPC ..... D26/24, 34, 51, 55, 59, 72, 76, 78, 79,  
D26/80, 81, 85, 86, 88, 90, 118, 120, 138  
CPC ..... F21S 8/00; F21S 8/04; F21S 8/08; F21S  
8/026; F21S 8/043; F21S 8/066; F21S  
8/081; F21S 8/083; F21S 8/085; F21S  
8/088; F21V 15/00; F21V 15/01; F21V  
21/00; F21V 21/02; F21V 21/005; F21V  
21/041; F21V 21/048; F21V 21/049;  
F21V 7/00; F21V 7/0008; F21V 9/30  
See application file for complete search history.

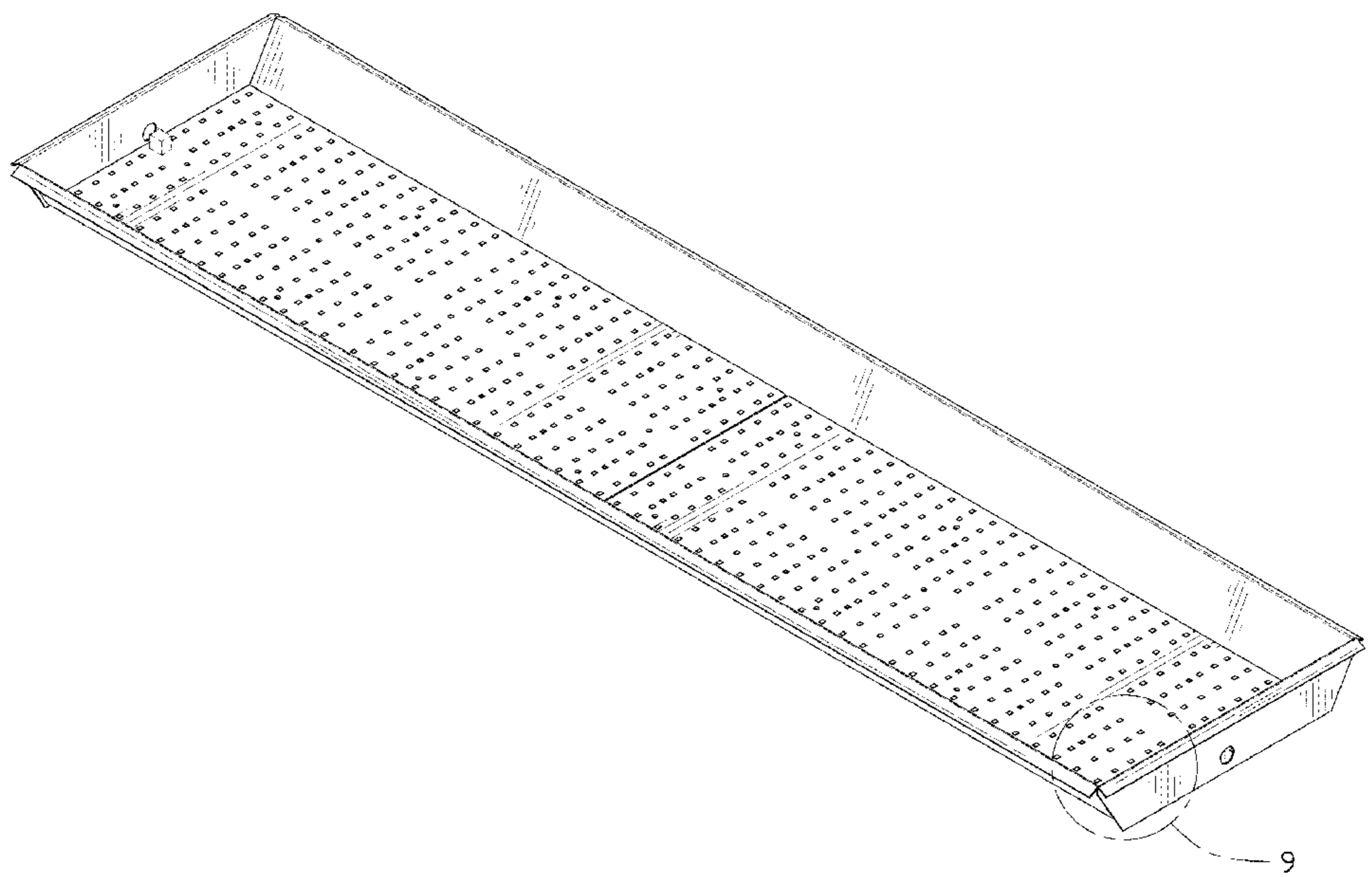
(56) **References Cited**  
U.S. PATENT DOCUMENTS  
D574,994 S \* 8/2008 Boyer ..... D26/120  
D690,839 S \* 10/2013 Wang ..... D26/24  
D698,986 S \* 2/2014 Reynolds ..... D26/118  
D698,987 S \* 2/2014 Stanley ..... D26/118  
D756,016 S \* 5/2016 Hargreaves ..... D26/79  
D757,346 S \* 5/2016 Stanley ..... D26/118  
(Continued)

*Primary Examiner* — Wan Laymon  
*Assistant Examiner* — Clint A Samuel

(57) **CLAIM**  
The ornamental design for an LED plant lamp, as shown and described.

**DESCRIPTION**  
FIG. 1 is a first perspective view of a first embodiment of an LED plant lamp showing my new design;  
FIG. 2 is a second perspective view of the first embodiment thereof;  
FIG. 3 is a front elevational view of the first embodiment thereof;  
FIG. 4 is a rear elevational view of the first embodiment thereof;  
FIG. 5 is a left elevational view of the first embodiment thereof;  
FIG. 6 is a right elevational view of the first embodiment thereof;  
FIG. 7 is a top plan view of the first embodiment thereof;  
FIG. 8 is a bottom plan view of the first embodiment thereof;  
FIG. 9 is an enlarged view of the area identified as “9” in FIG. 1;  
FIG. 10 is a first perspective view of a second embodiment of the LED plant lamp showing my new design;  
FIG. 11 is a second perspective view of the second embodiment thereof;  
FIG. 12 is a front elevational view of the second embodiment thereof;  
FIG. 13 is a rear elevational view of the second embodiment thereof;  
FIG. 14 is a left elevational view of the second embodiment thereof;  
FIG. 15 is a right elevational view of the second embodiment thereof;  
FIG. 16 is a top plan view of the second embodiment thereof;  
FIG. 17 is a bottom plan view of the second embodiment thereof; and,  
FIG. 18 is an enlarged view of the area identified as “18” in FIG. 10.  
The broken lines in the drawings illustrate portions of the LED plant lamp which form no part of the claimed design.

**1 Claim, 18 Drawing Sheets**



(56)

**References Cited**

U.S. PATENT DOCUMENTS

D790,114	S *	6/2017	Chung	.....	D26/118
D791,999	S *	7/2017	Hargreaves	.....	D26/76
D836,827	S *	12/2018	Trang	.....	D26/118
D836,828	S *	12/2018	Trang	.....	D26/118
D855,245	S *	7/2019	Chami	.....	D26/118
D870,357	S *	12/2019	Hu	.....	D26/120
D872,340	S *	1/2020	Chami	.....	D26/78
D883,554	S *	5/2020	Zeng	.....	D26/74
D894,470	S *	8/2020	Reynolds	.....	D26/118
D897,028	S *	9/2020	Reynolds	.....	D26/118
D901,743	S *	11/2020	Wang	.....	D26/72
D910,222	S *	2/2021	Zhang	.....	D26/72
2012/0243227	A1 *	9/2012	Shimizu	.....	F21V 21/005 362/249.01
2018/0135848	A1 *	5/2018	Scribante	.....	F21K 9/275

\* cited by examiner

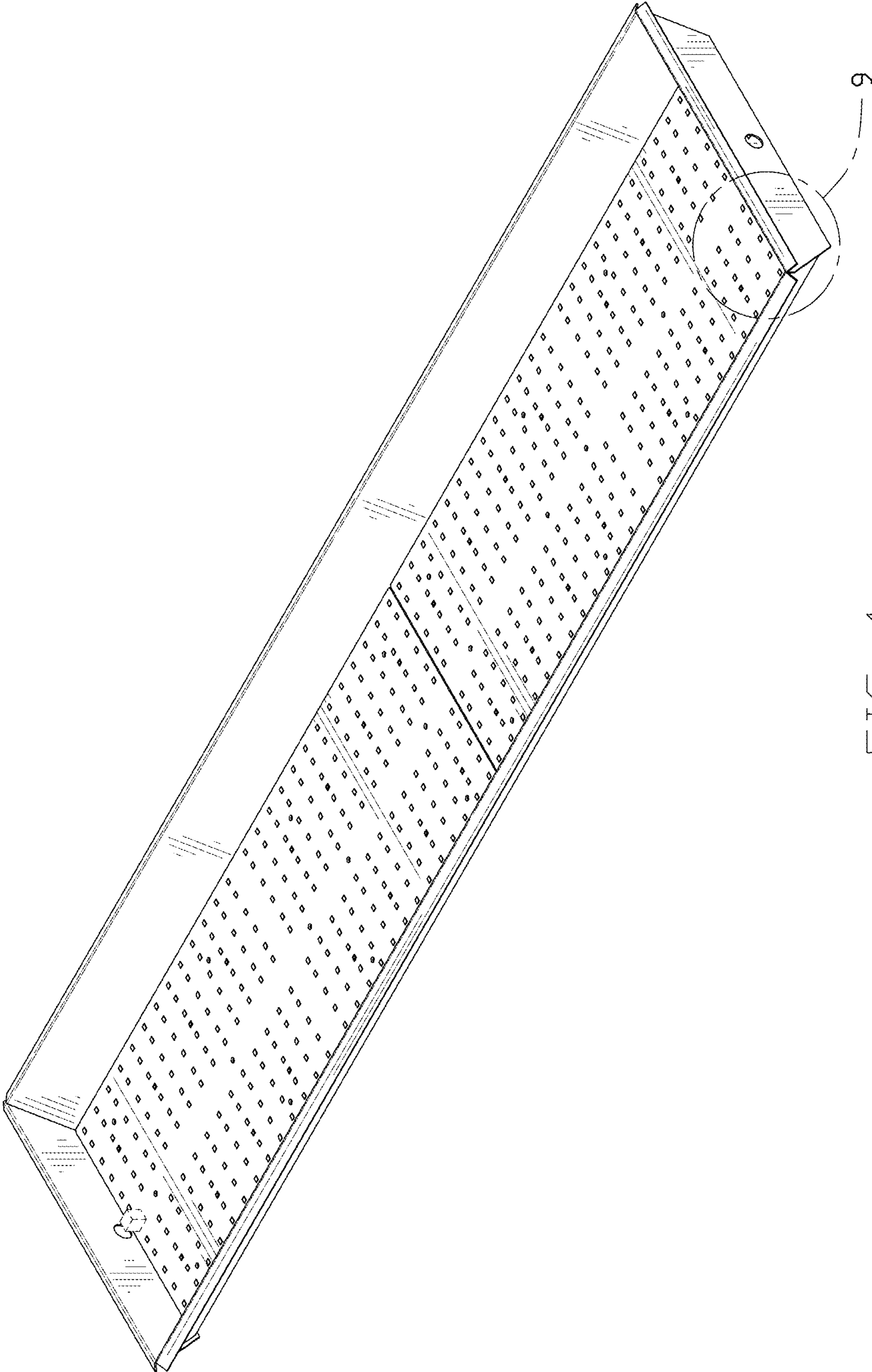


FIG. 1

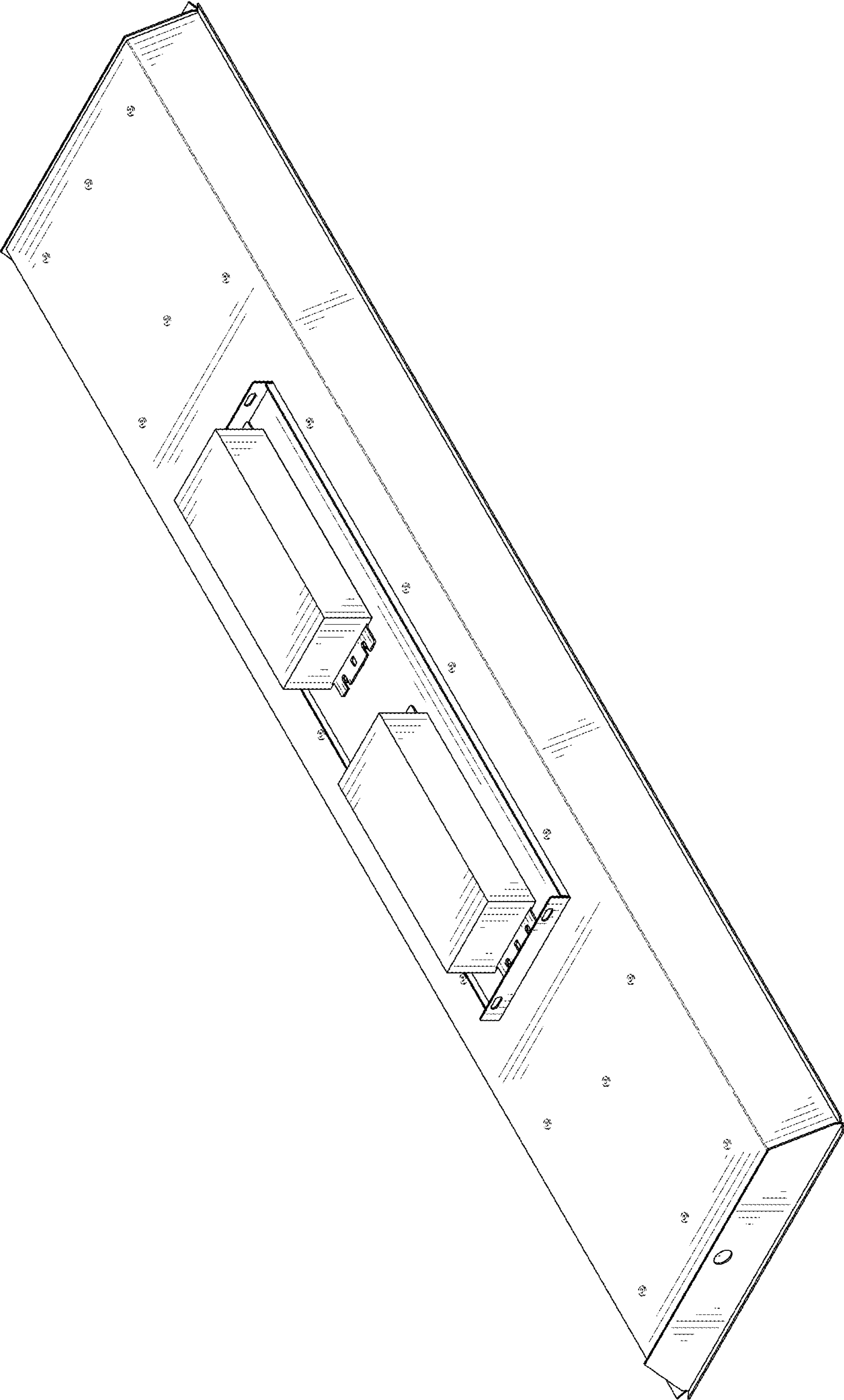


FIG. 2

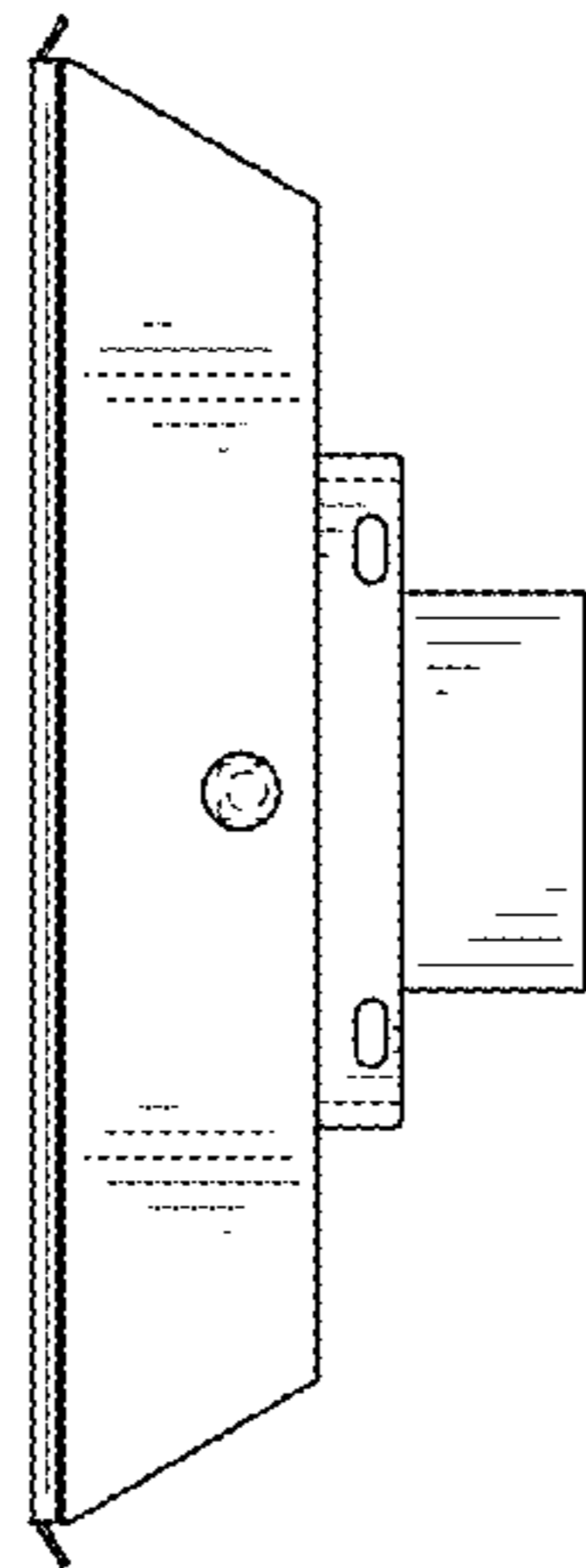


FIG. 3

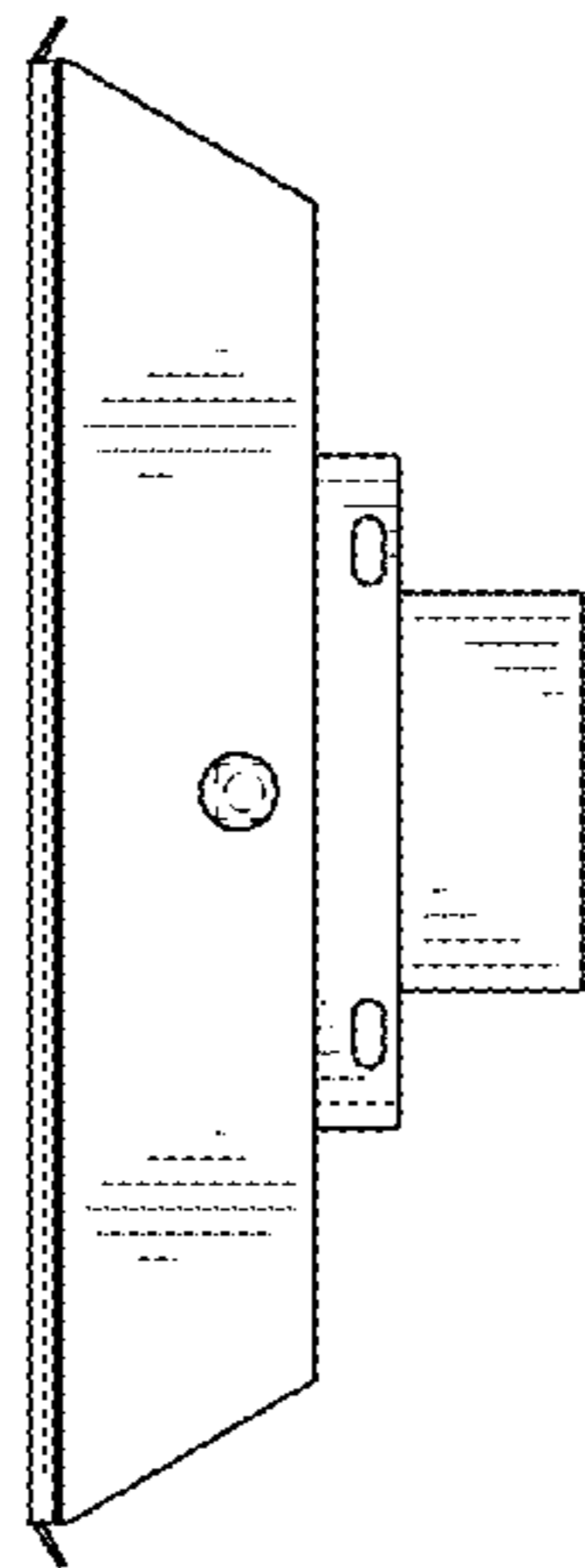


FIG. 4

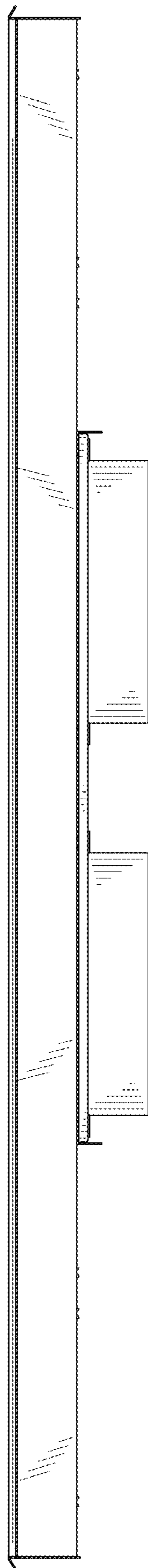


FIG. 5

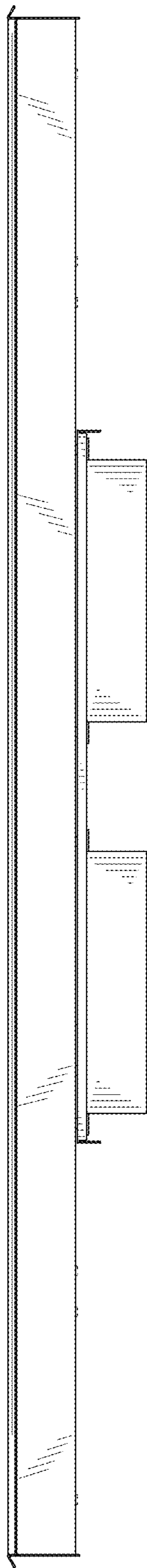


FIG. 6



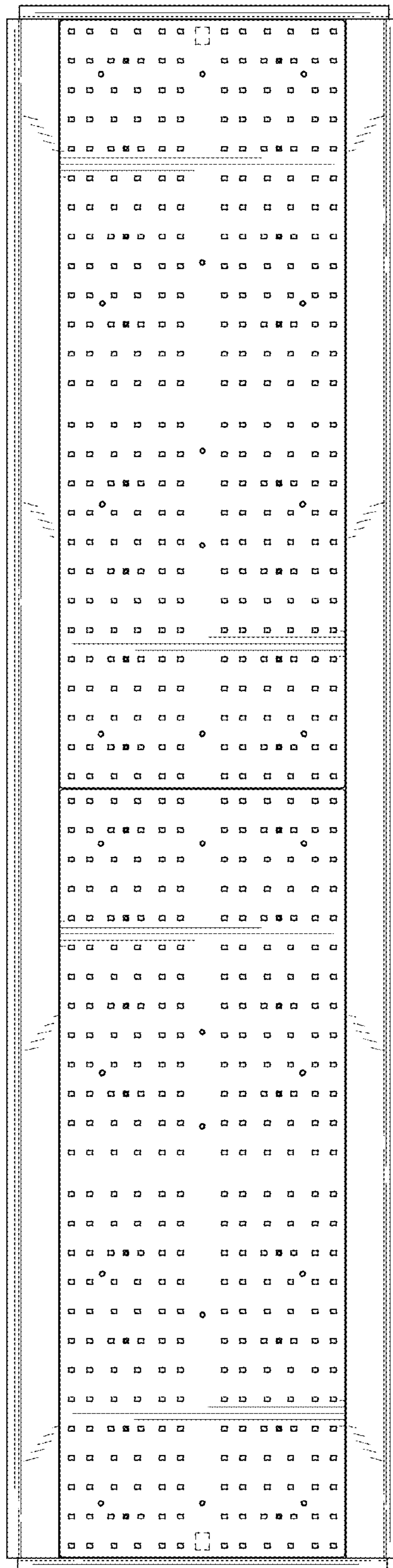


FIG. 7

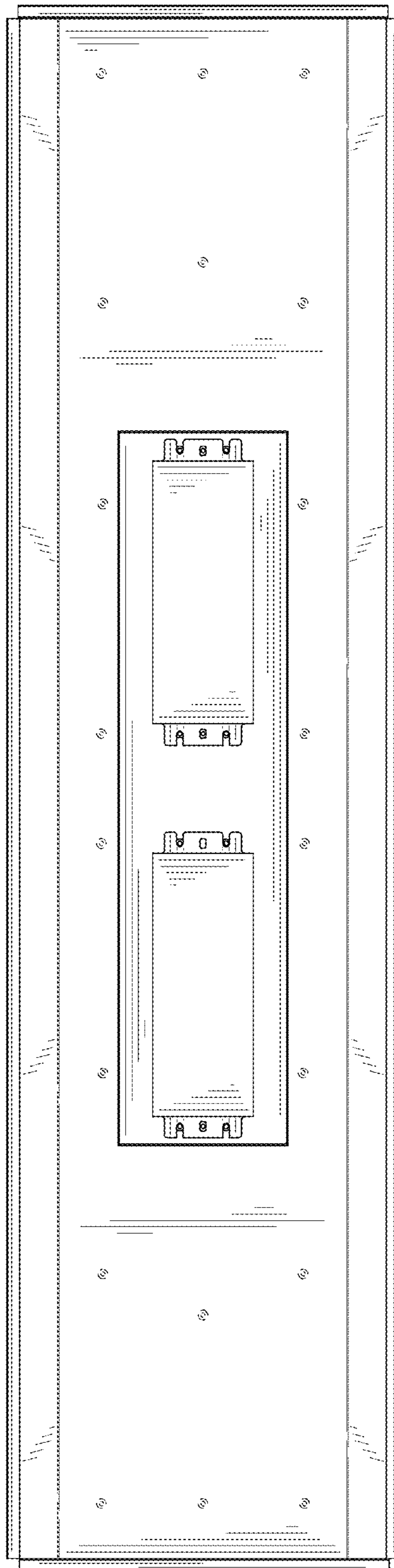


FIG. 8

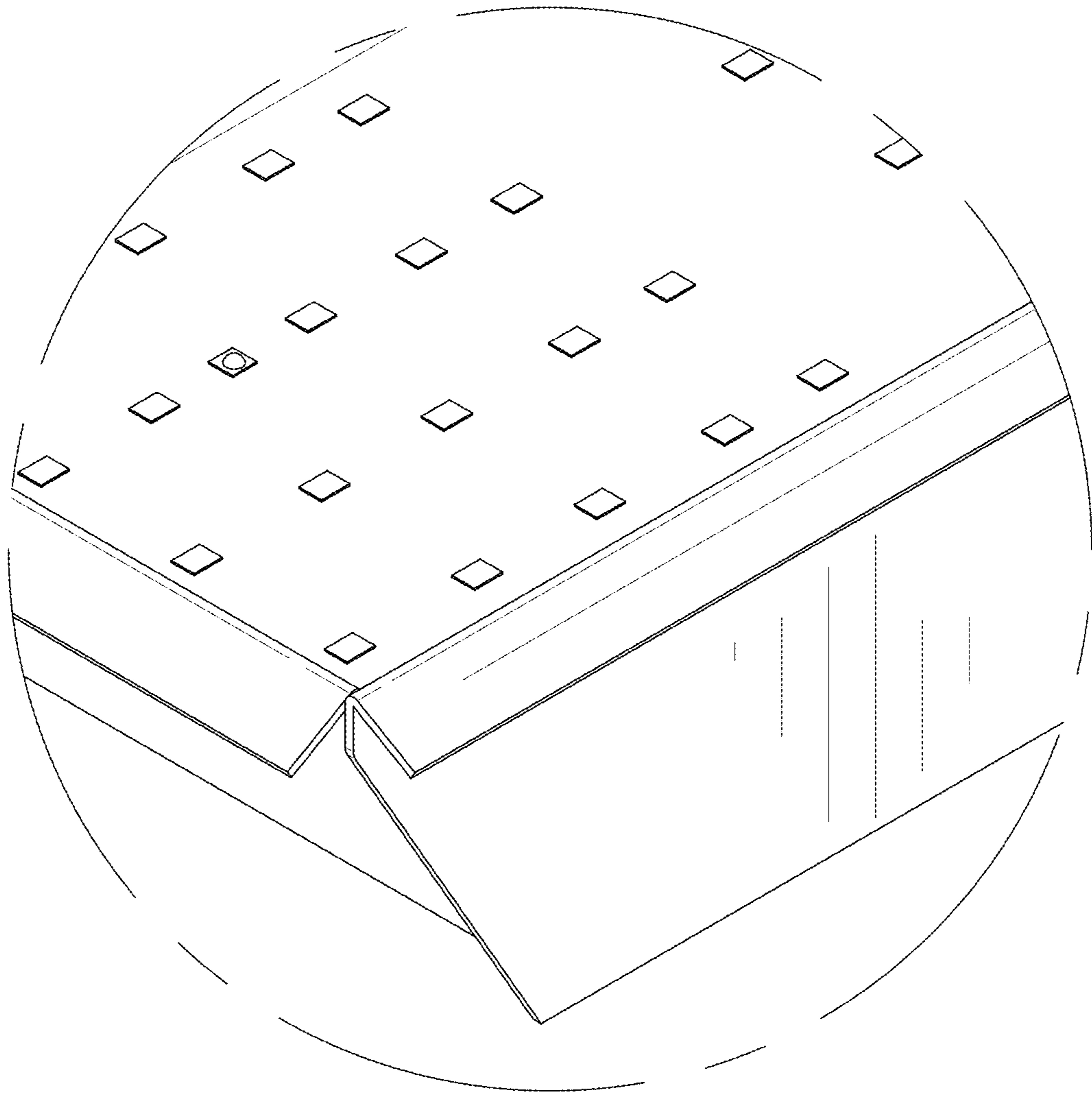


FIG. 9

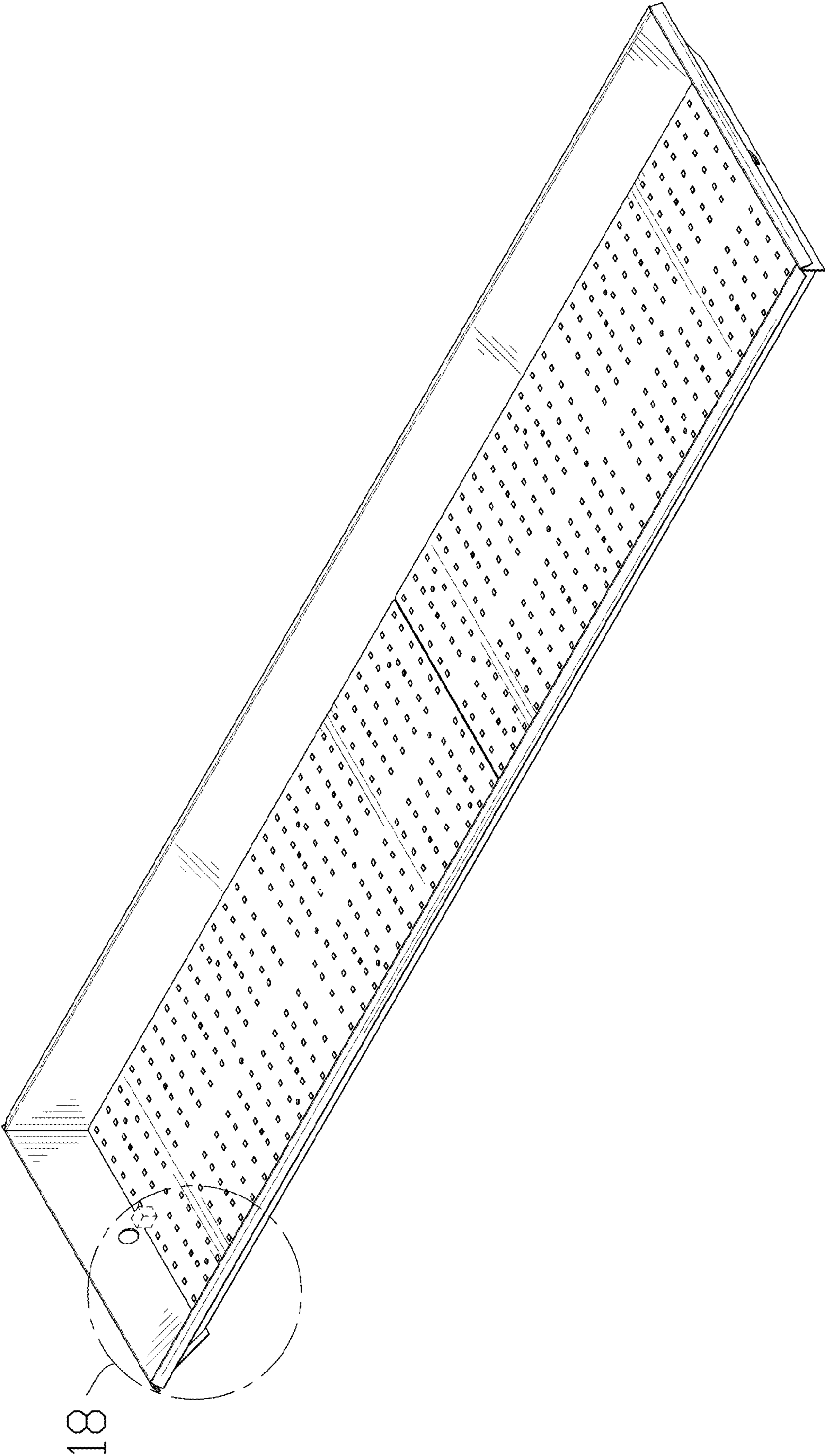


FIG. 10

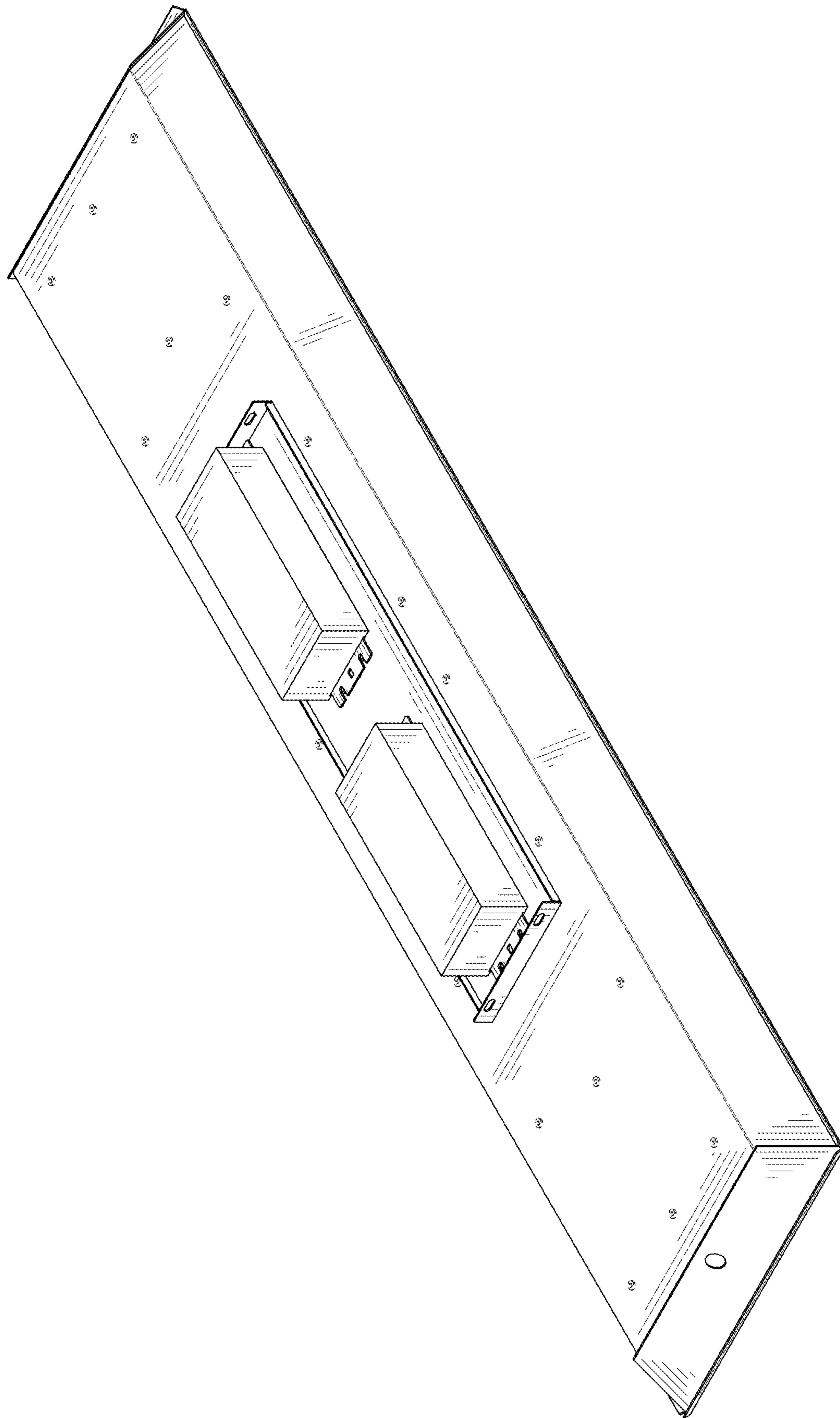


FIG. 11

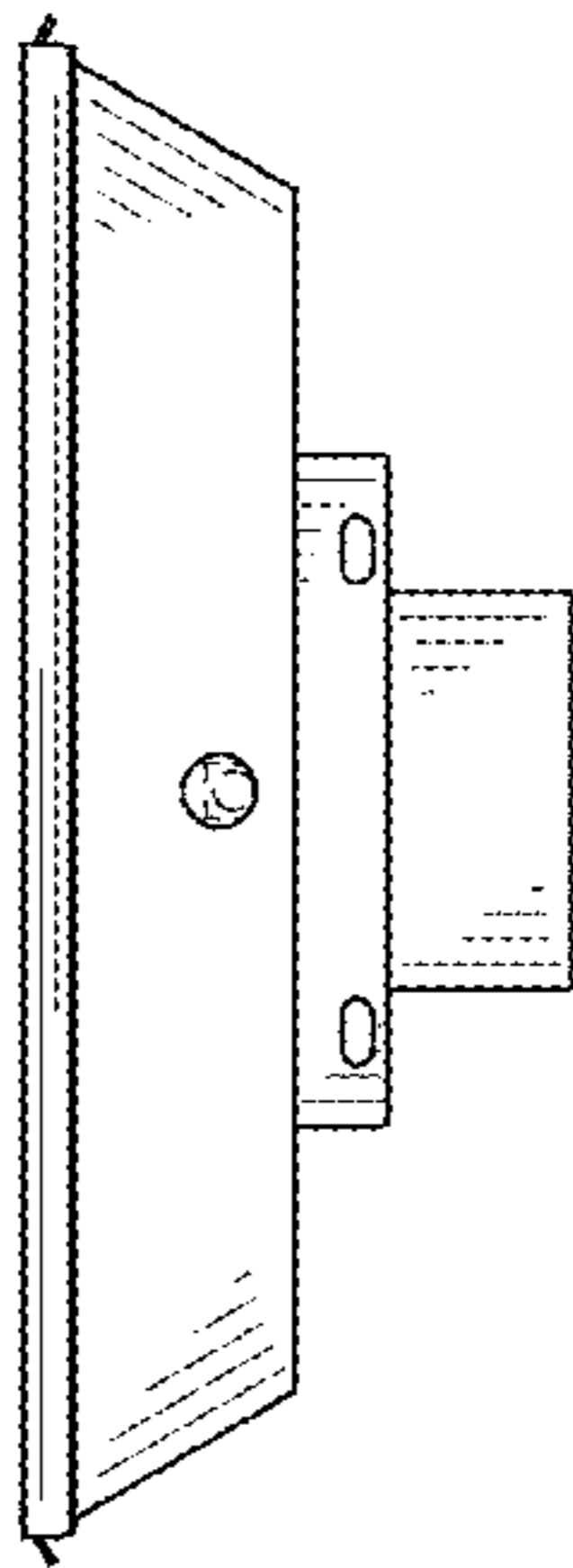


FIG. 12

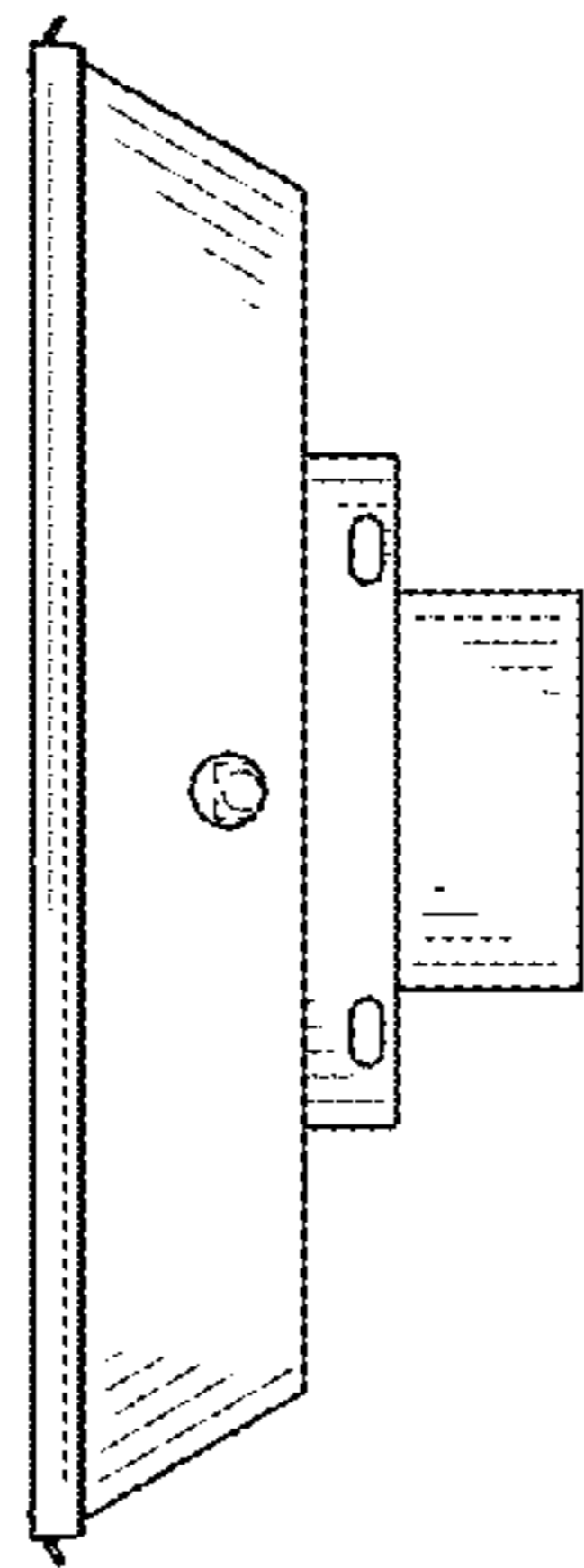


FIG. 13

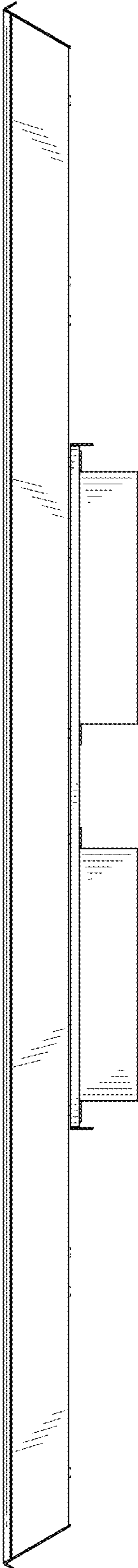


FIG. 14



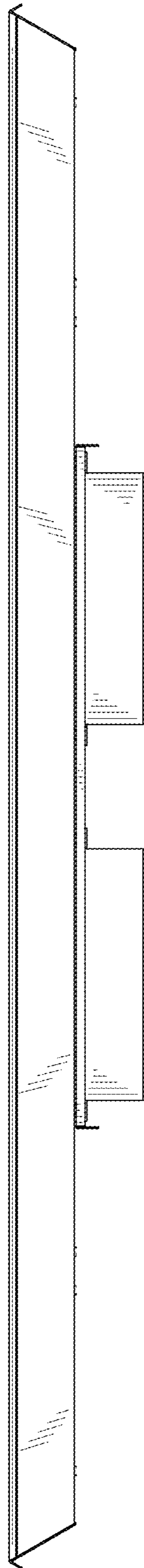


FIG. 15

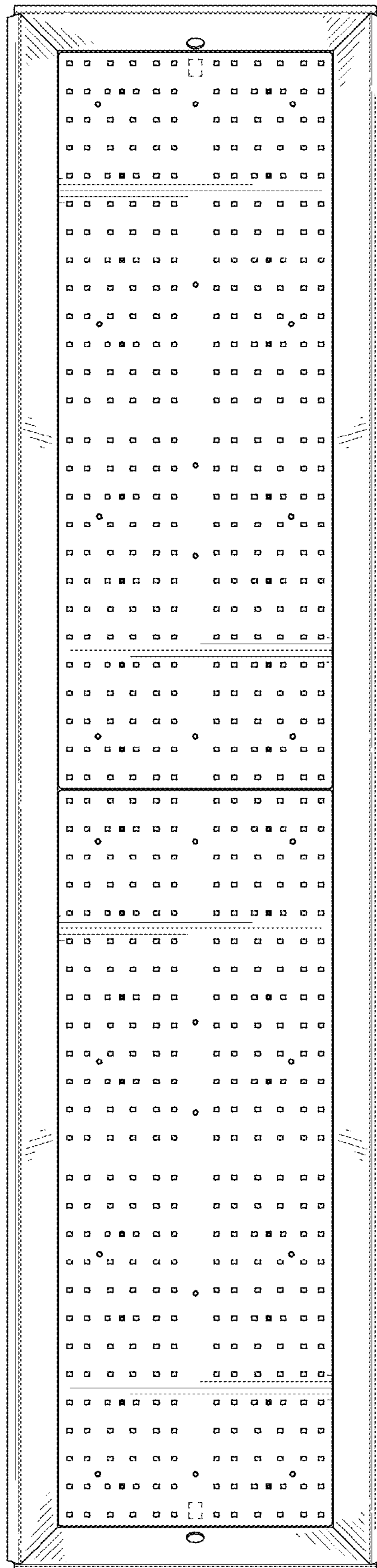


FIG. 16

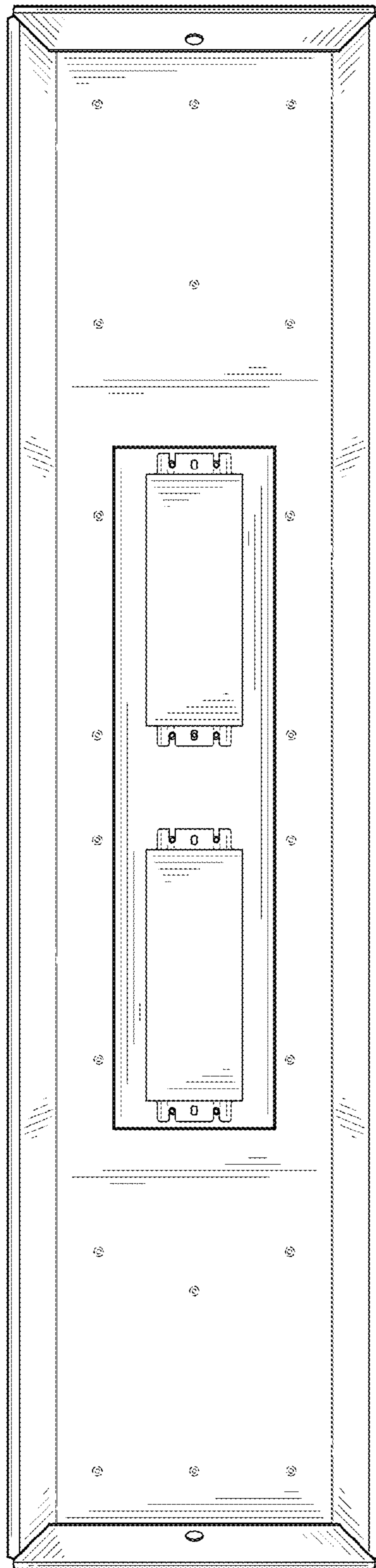


FIG. 17

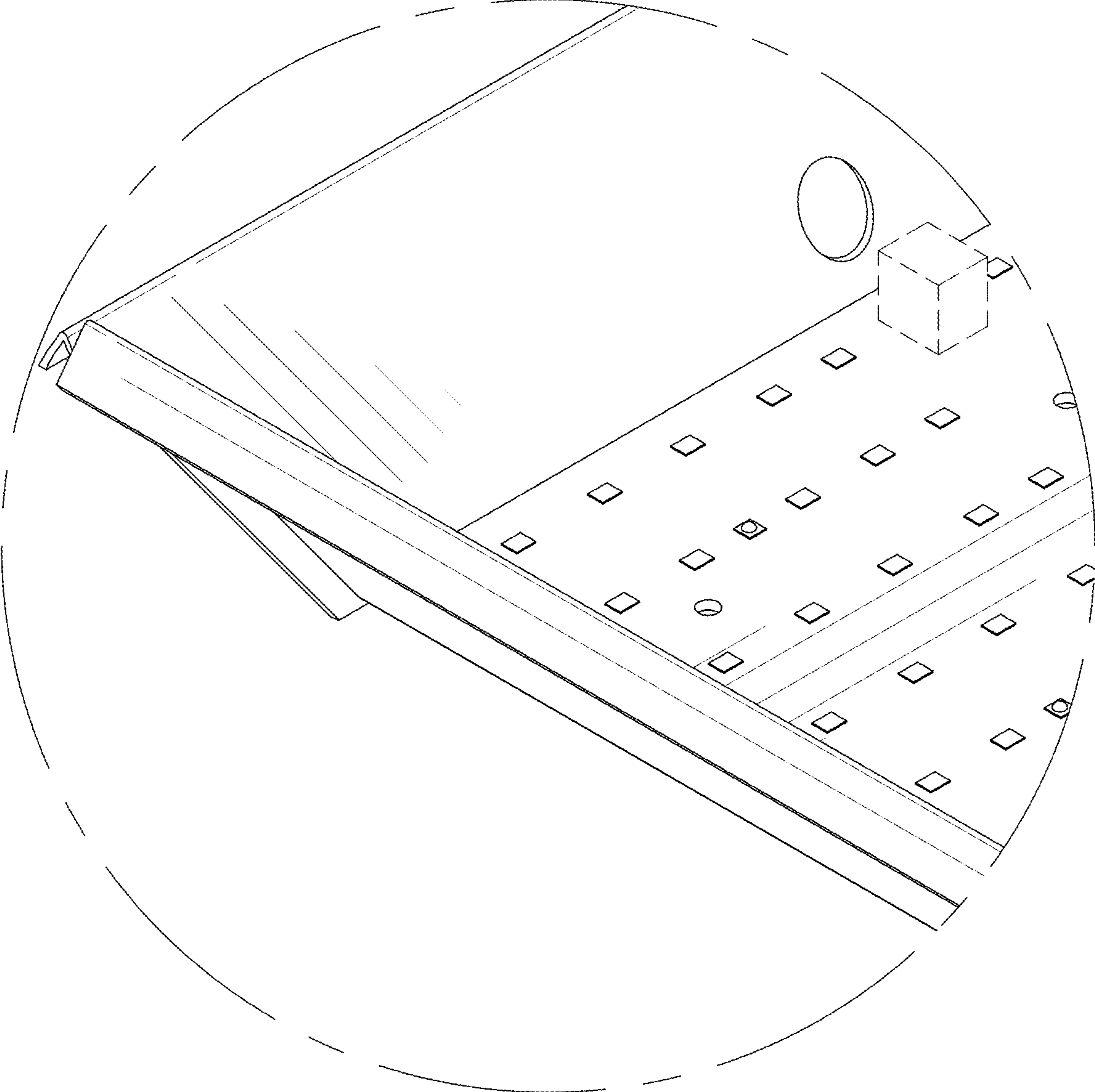


FIG. 18