

US00D922666S

(12) **United States Design Patent** (10) **Patent No.:** **US D922,666 S**
Norton et al. (45) **Date of Patent:** **** Jun. 15, 2021**

(54) **LIGHT BAR CONNECTOR**
(71) Applicant: **RetroLED Components, LLC**, Odessa, TX (US)
(72) Inventors: **Sidney Howard Norton**, Odessa, TX (US); **Curtis Alan Roys**, Fredericksburg, TX (US)
(**) Term: **15 Years**
(21) Appl. No.: **29/691,294**
(22) Filed: **May 15, 2019**
(51) **LOC (13) Cl.** **26-99**
(52) **U.S. Cl.**
USPC **D26/113**
(58) **Field of Classification Search**
USPC D26/24, 63, 72, 75, 76, 80, 84, 88, 89, D26/113
CPC F21S 8/00; F21S 8/02; F21S 8/04; F21S 8/024; F21S 8/08; F21V 21/00; F21V 21/041; F21V 29/00; F21V 29/51
See application file for complete search history.

(56) **References Cited**
U.S. PATENT DOCUMENTS
D289,206 S 4/1987 Scoville, Jr. et al.
D299,167 S 12/1988 Adair et al.
D313,663 S 1/1991 Yuen
D331,241 S 11/1992 Price et al.
D413,967 S 9/1999 Yuen
D417,133 S 11/1999 Niswanger
D440,624 S 4/2001 Case
D440,676 S 4/2001 Petruzzi
D514,012 S 1/2006 Phlippeau et al.
D594,317 S 6/2009 Anthony
D671,243 S * 11/2012 Sakamoto D26/2
D736,432 S * 8/2015 Elwell D26/28
D776,848 S 1/2017 Eastman

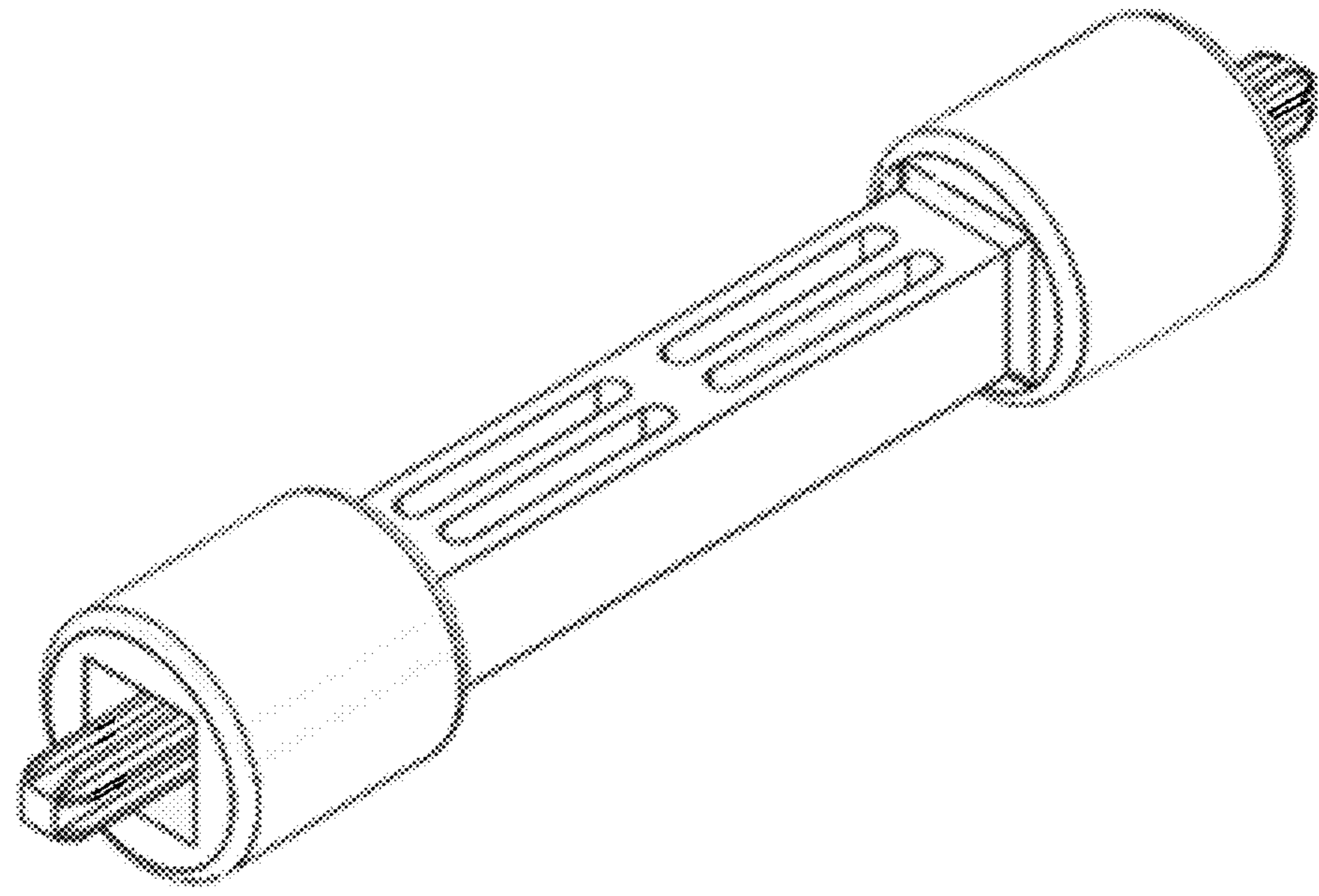
D778,473 S * 2/2017 Cooper D26/37
D793,000 S 7/2017 Sonneman
D796,717 S 9/2017 Wu
D804,067 S * 11/2017 Gong D26/31
D810,325 S * 2/2018 Guo D26/2
D825,829 S 8/2018 Guo
D828,937 S * 9/2018 Sibitzky D26/31
D829,950 S * 10/2018 Ko D26/31
D831,879 S 10/2018 Minale et al.
D836,227 S 12/2018 Root

* cited by examiner
Primary Examiner — Zenia I Bennett
(74) *Attorney, Agent, or Firm* — Scheinberg & Associates, PC; Michael O. Scheinberg

(57) **CLAIM**
We claim the ornamental design for a light bar connector, as shown and described.

DESCRIPTION
FIG. 1 is an isometric view of a light bar connector of the present invention;
FIG. 2 is a front elevation of the light bar connector of FIG. 1;
FIG. 3 is right side elevation of the light bar connector of FIG. 1;
FIG. 4 is plan view of the light bar connector of FIG. 1;
FIG. 5 is a cross sectional view of the light bar connector of FIG. 1; and,
FIG. 6 shows the light bar connector of FIG. 1 connecting to light bars.
The rear elevation is the same as the front elevation. The left side elevation is the same as the right side elevation. The bottom view is the same as the plan view. The dashed line showing the environment in which the light bar connector is used and form no part of the claimed design.

1 Claim, 3 Drawing Sheets



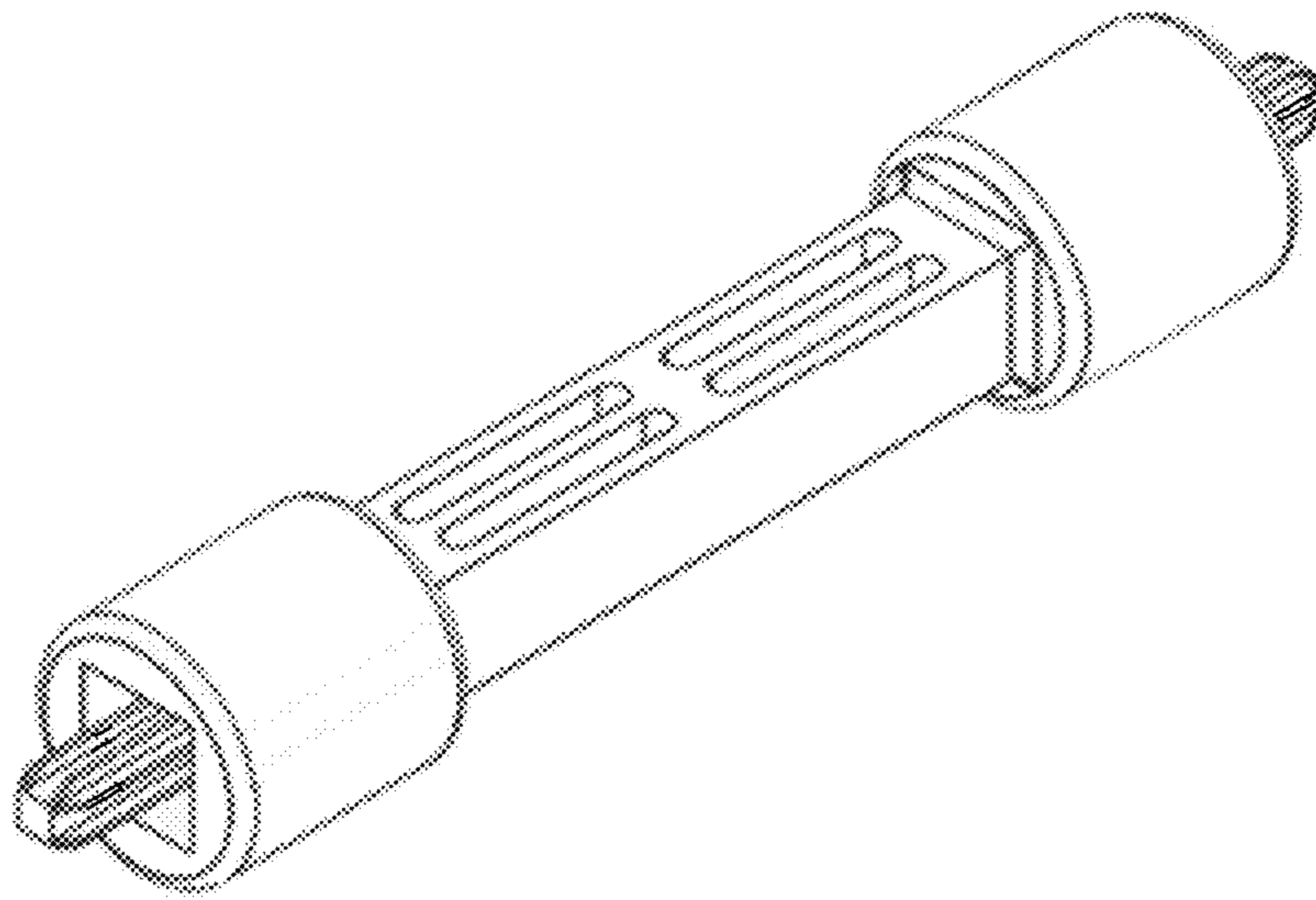


FIG. 1

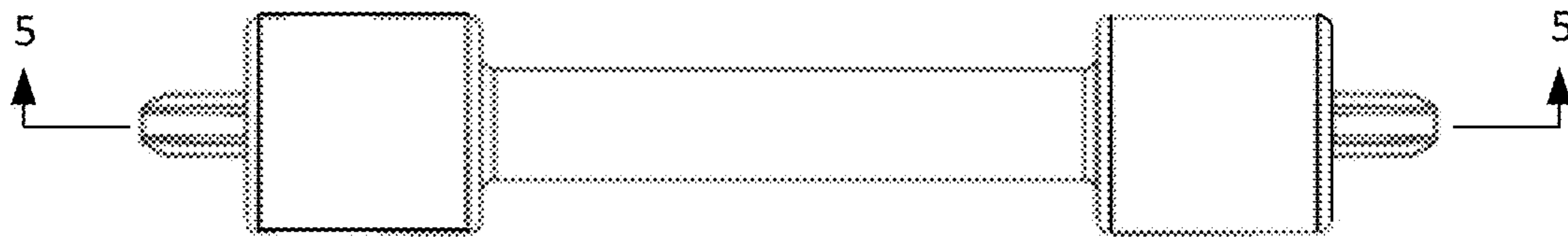


FIG. 2

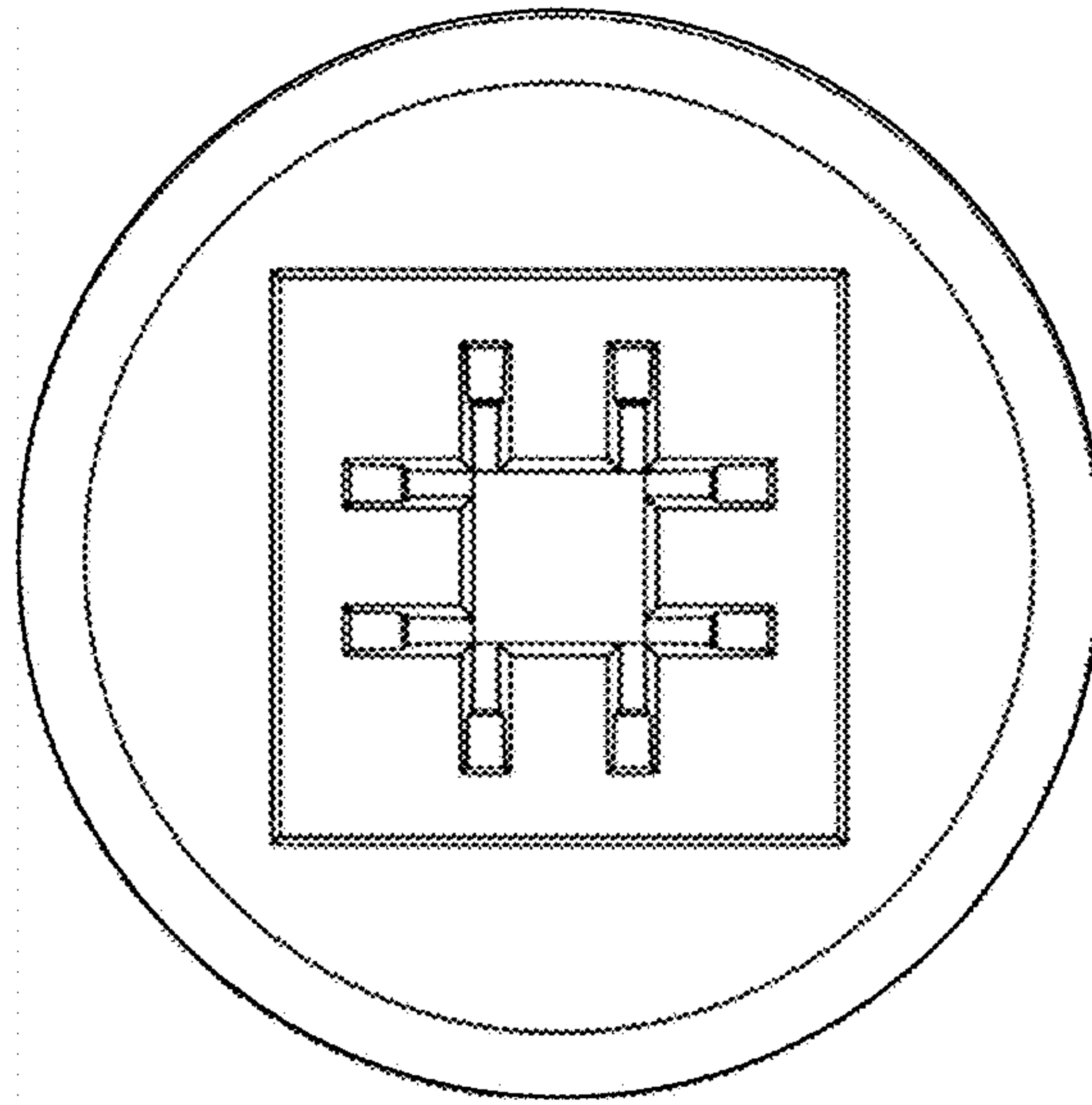


FIG. 3

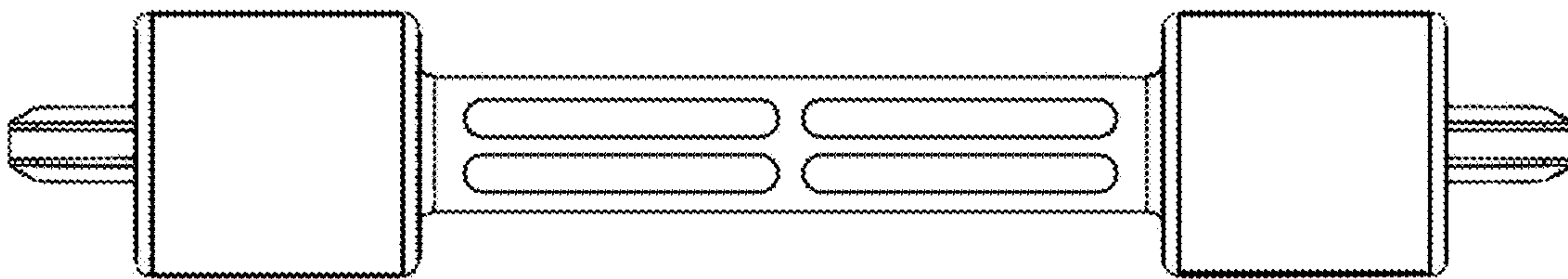


FIG. 4

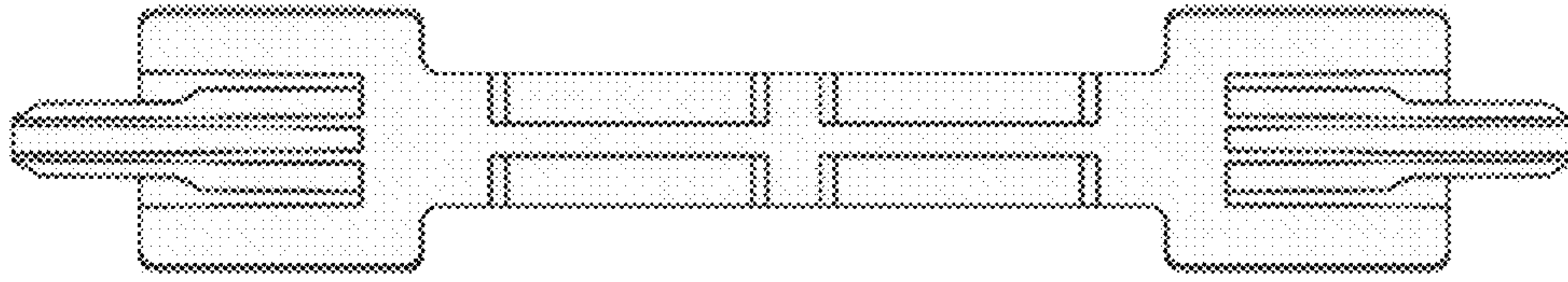


FIG. 5

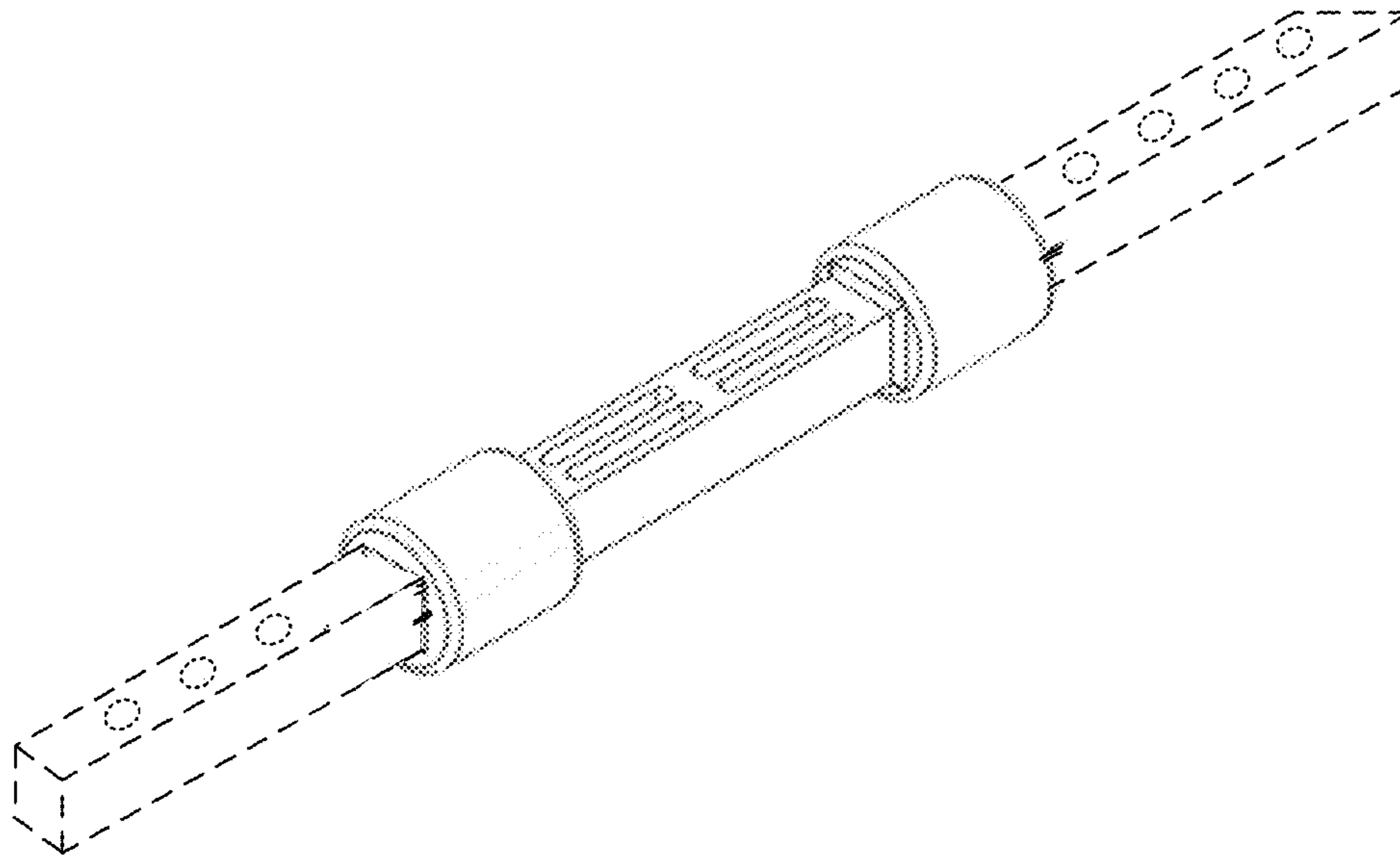


FIG. 6