



US00D922665S

(12) **United States Design Patent**  
**Feng**

(10) **Patent No.:** **US D922,665 S**

(45) **Date of Patent:** **\*\* Jun. 15, 2021**

- (54) **PROJECTION LAMP**
- (71) Applicant: **Linyu Feng**, Shenzhen (CN)
- (72) Inventor: **Linyu Feng**, Shenzhen (CN)
- (\*\*) Term: **15 Years**
- (21) Appl. No.: **29/760,820**
- (22) Filed: **Dec. 4, 2020**
- (51) **LOC (13) Cl.** ..... **26-05**
- (52) **U.S. Cl.**  
USPC ..... **D26/110**
- (58) **Field of Classification Search**  
USPC ..... D26/1, 24, 28, 36, 93, 104, 108, 110,  
D26/123, 124; D10/111, 114.5, 114.8;  
D16/230  
CPC ..... F21S 9/00; F21S 9/02; F21S 9/022; F21S  
10/00; F21S 10/06; F21S 10/007; F21S  
6/00; F21S 6/002; F21V 15/00; F21V  
15/01; F21L 4/00; F21L 4/005; F21L  
4/025  
See application file for complete search history.

D884,955 S *	5/2020	Yi .....	D26/104
D889,730 S	7/2020	Lin	
D895,175 S *	9/2020	Li .....	D26/24
D898,958 S *	10/2020	Xiao .....	D26/24
D903,908 S *	12/2020	Cutt .....	D26/24
D903,931 S *	12/2020	Guan .....	D26/110
D909,659 S *	2/2021	Lin .....	D26/93
D911,560 S *	2/2021	Hu .....	D26/24
D914,792 S *	3/2021	Li .....	D16/230
D914,952 S *	3/2021	Lui .....	D26/106
D915,639 S *	4/2021	Zhao .....	D26/1
D915,661 S *	4/2021	Zhu .....	D26/106
D917,092 S *	4/2021	Zhang .....	D26/110
2008/0266845 A1 *	10/2008	Wu .....	B25B 15/02 362/157

\* cited by examiner

*Primary Examiner* — Wan Laymon  
*Assistant Examiner* — Clint A Samuel

(57) **CLAIM**

The ornamental design for a projection lamp, as shown and described.

**DESCRIPTION**

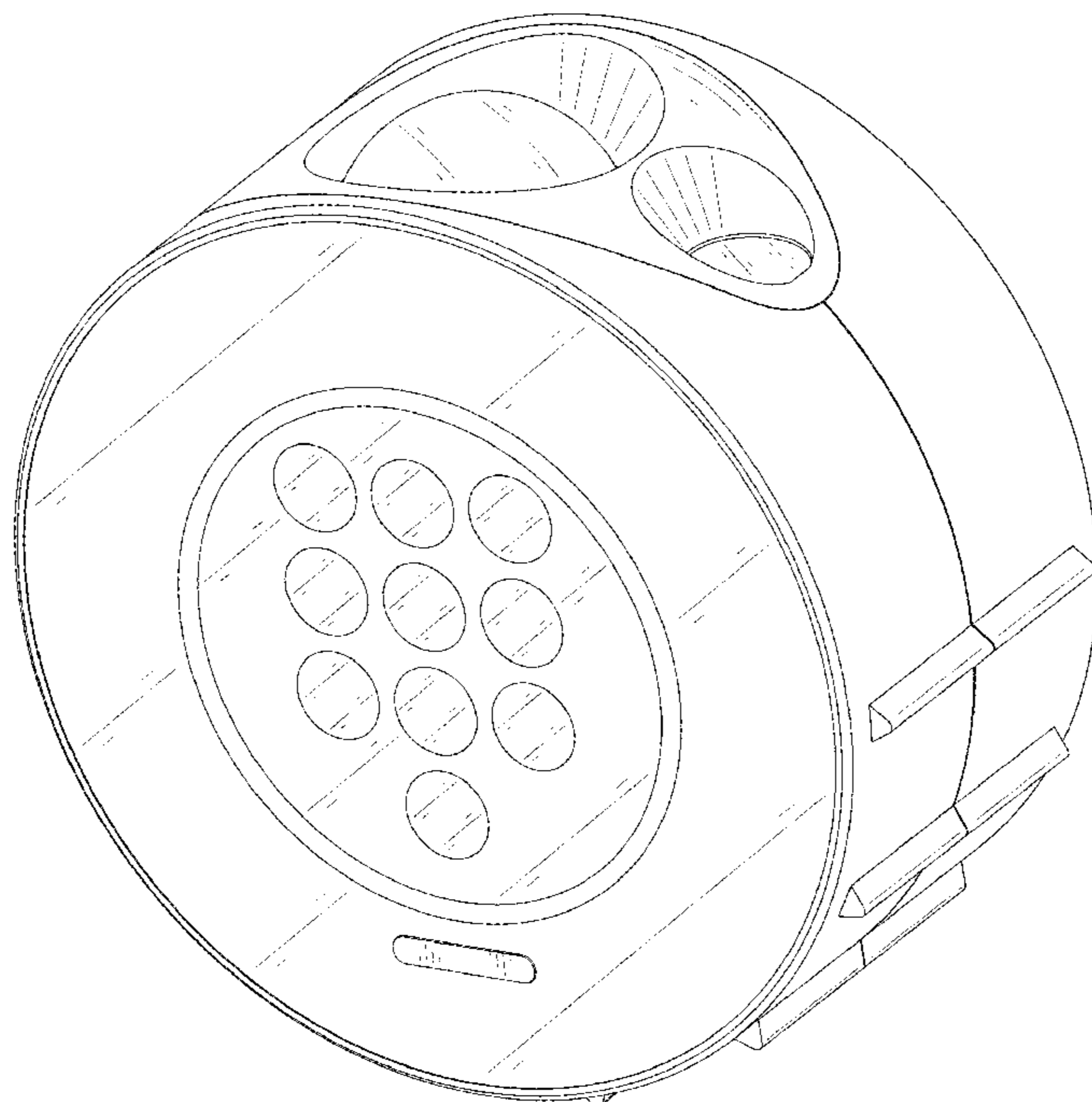
FIG. 1 is a perspective view of a projection lamp showing my new design;  
 FIG. 2 is another perspective view thereof;  
 FIG. 3 is a front elevational view thereof;  
 FIG. 4 is a rear elevational view thereof;  
 FIG. 5 is a left side elevational view thereof;  
 FIG. 6 is a right side elevational view thereof;  
 FIG. 7 is a top plan view thereof; and,  
 FIG. 8 is a bottom plan view thereof.  
 The broken lines in the drawings depict portions of the projection lamp that form no part of the claimed design.

**1 Claim, 8 Drawing Sheets**

(56) **References Cited**

U.S. PATENT DOCUMENTS

D577,836 S *	9/2008	Engrebrigtsen .....	D26/24
D720,090 S *	12/2014	Toomey .....	D26/24
D773,093 S *	11/2016	Dworschak .....	D26/63
D814,686 S *	4/2018	Chen .....	D26/110
D816,886 S	5/2018	Lin	
D821,633 S *	6/2018	Yang .....	D26/106
D836,083 S *	12/2018	Elmieh .....	D14/204
D851,160 S *	6/2019	Rassadin .....	D16/230
D858,861 S	9/2019	Lin	
D861,965 S *	10/2019	Lin .....	D26/110
D861,967 S *	10/2019	Lin .....	D26/110



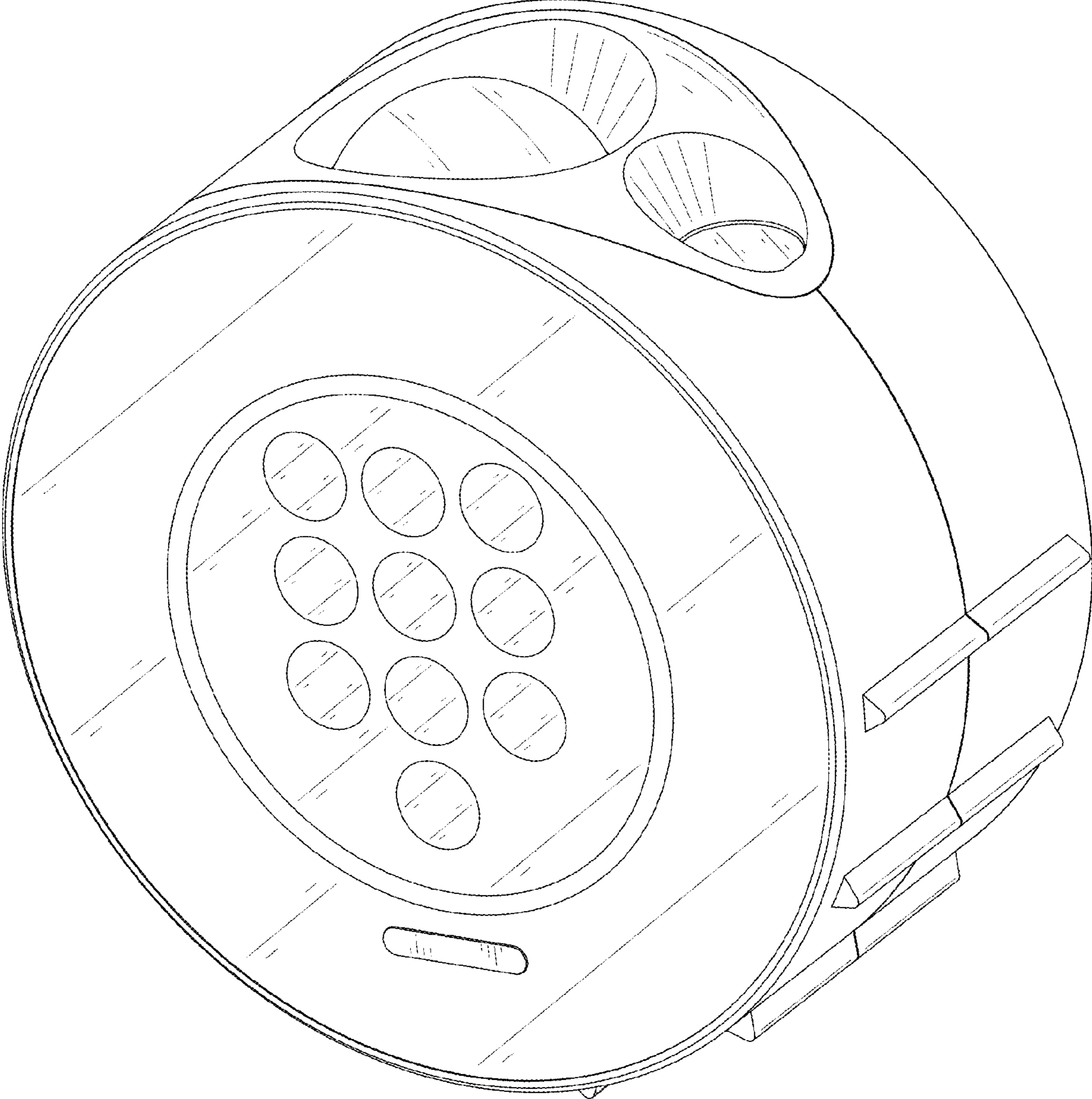


FIG. 1

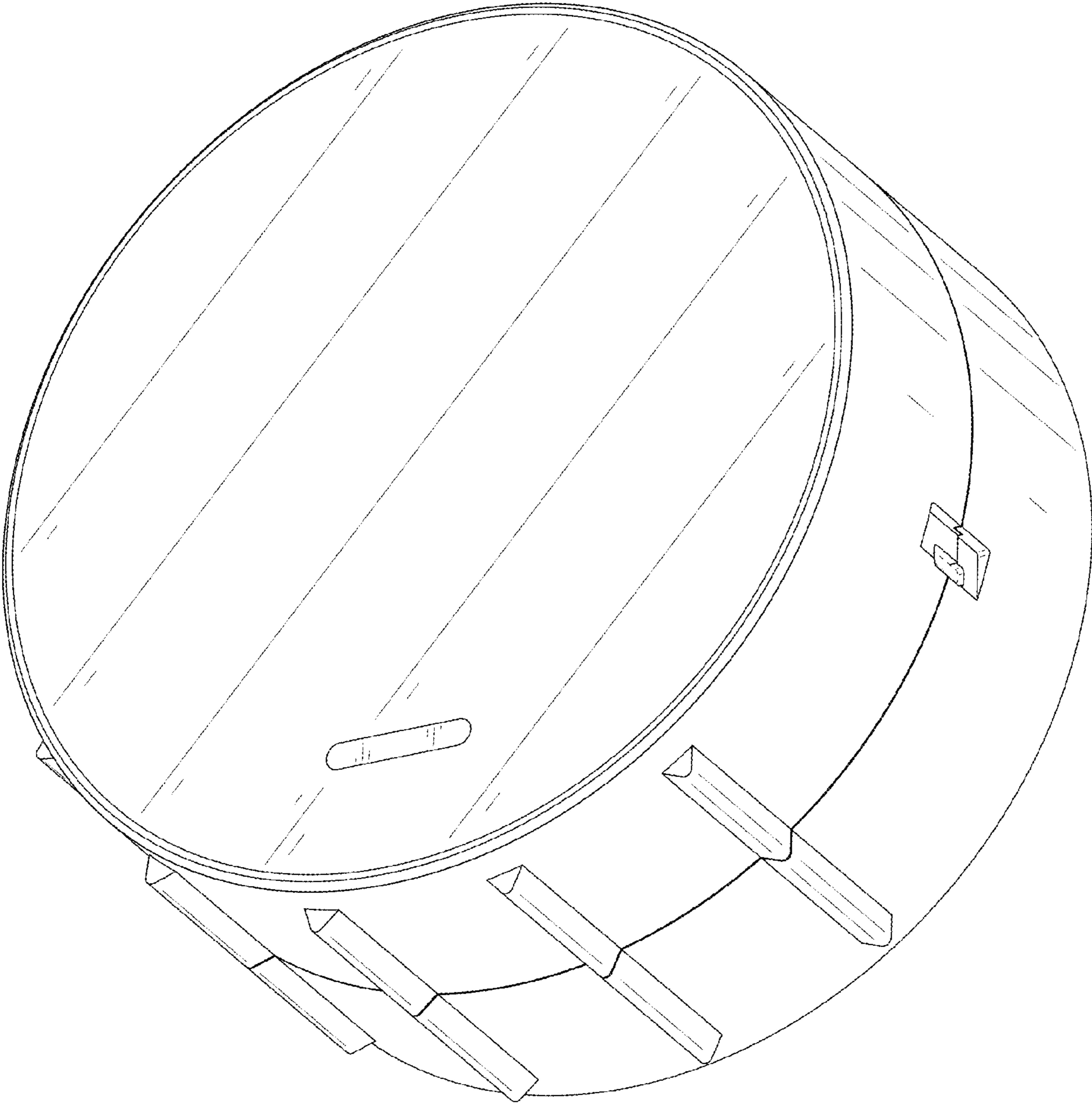


FIG. 2

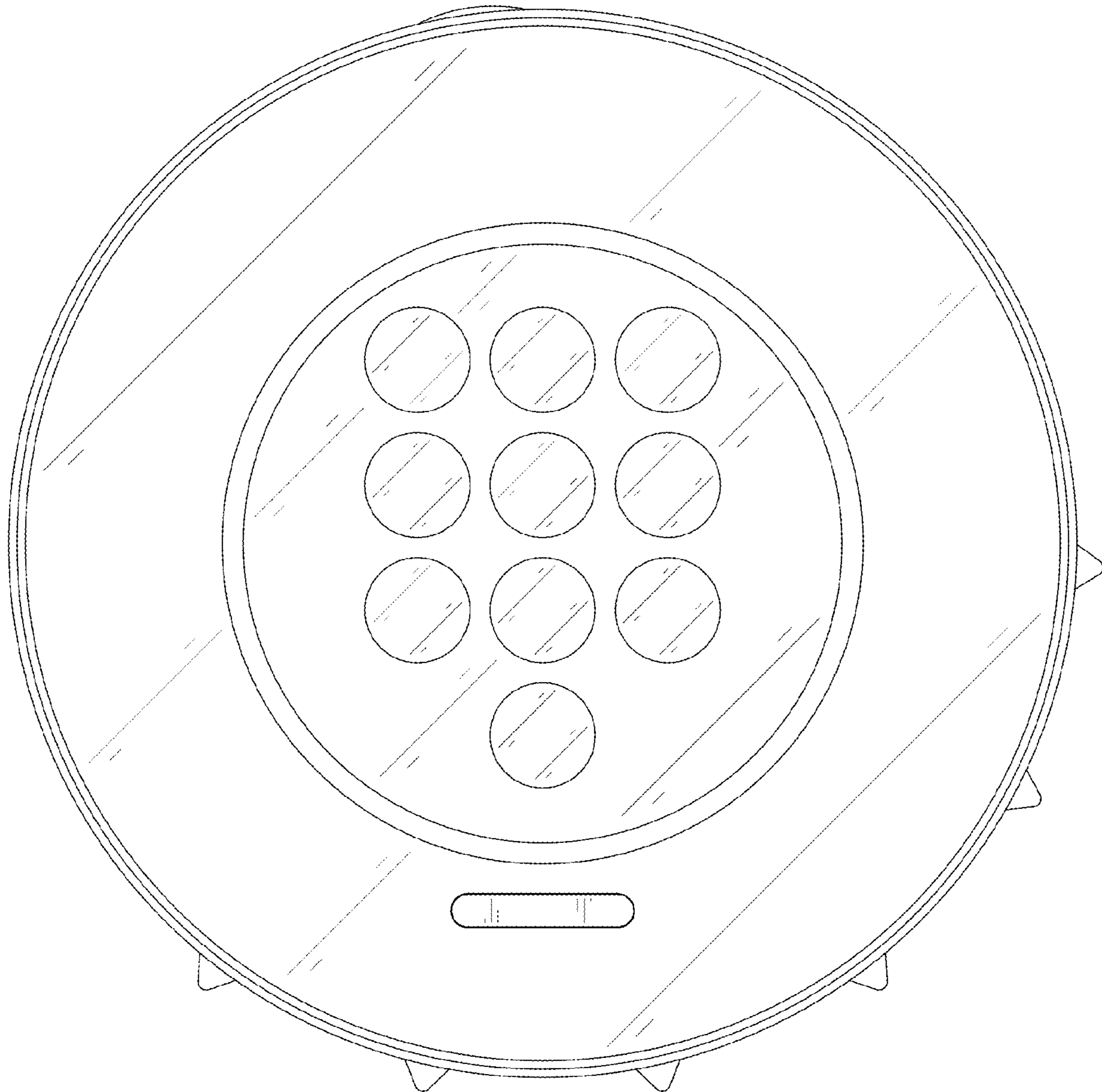


FIG. 3

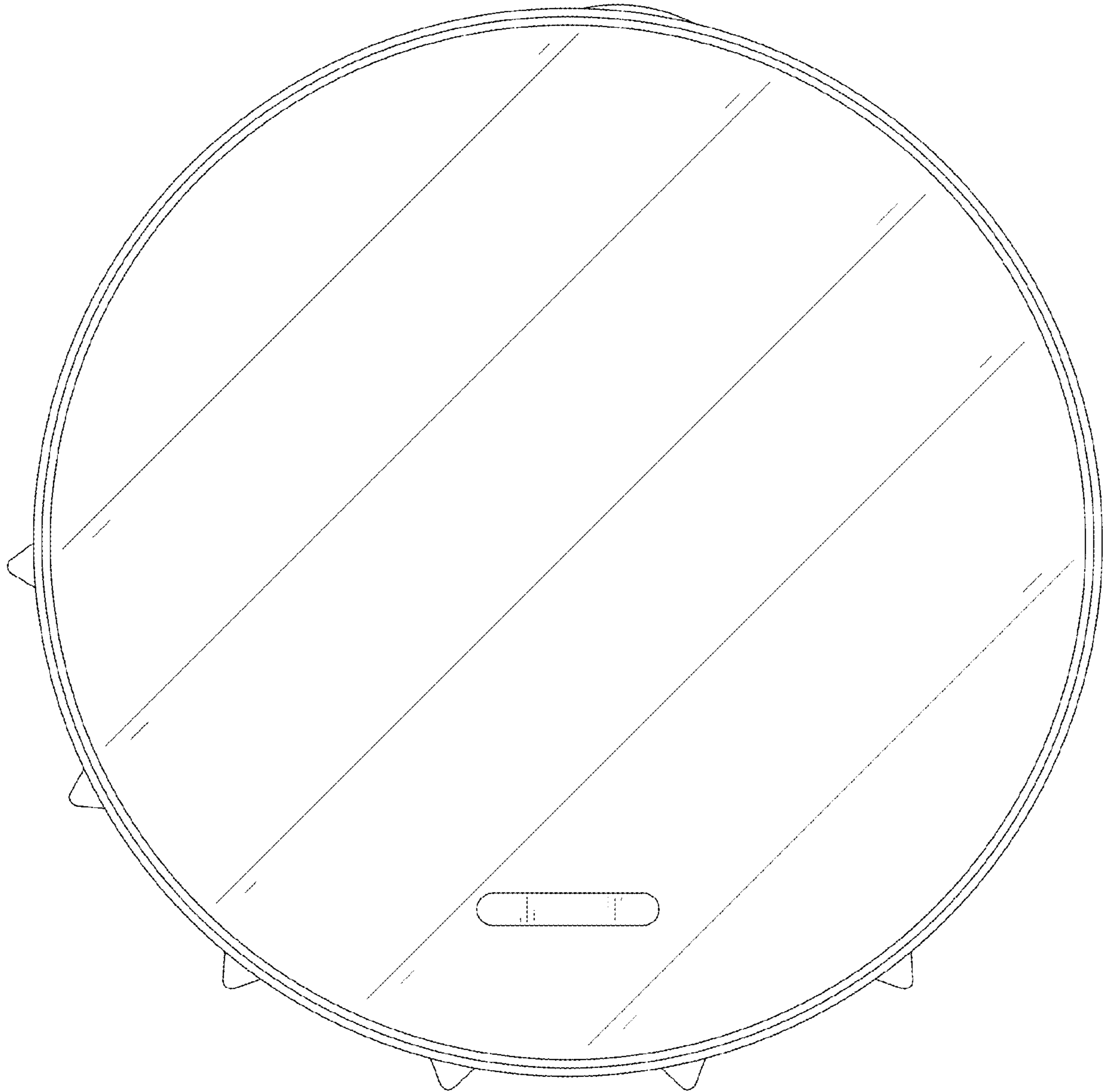


FIG. 4

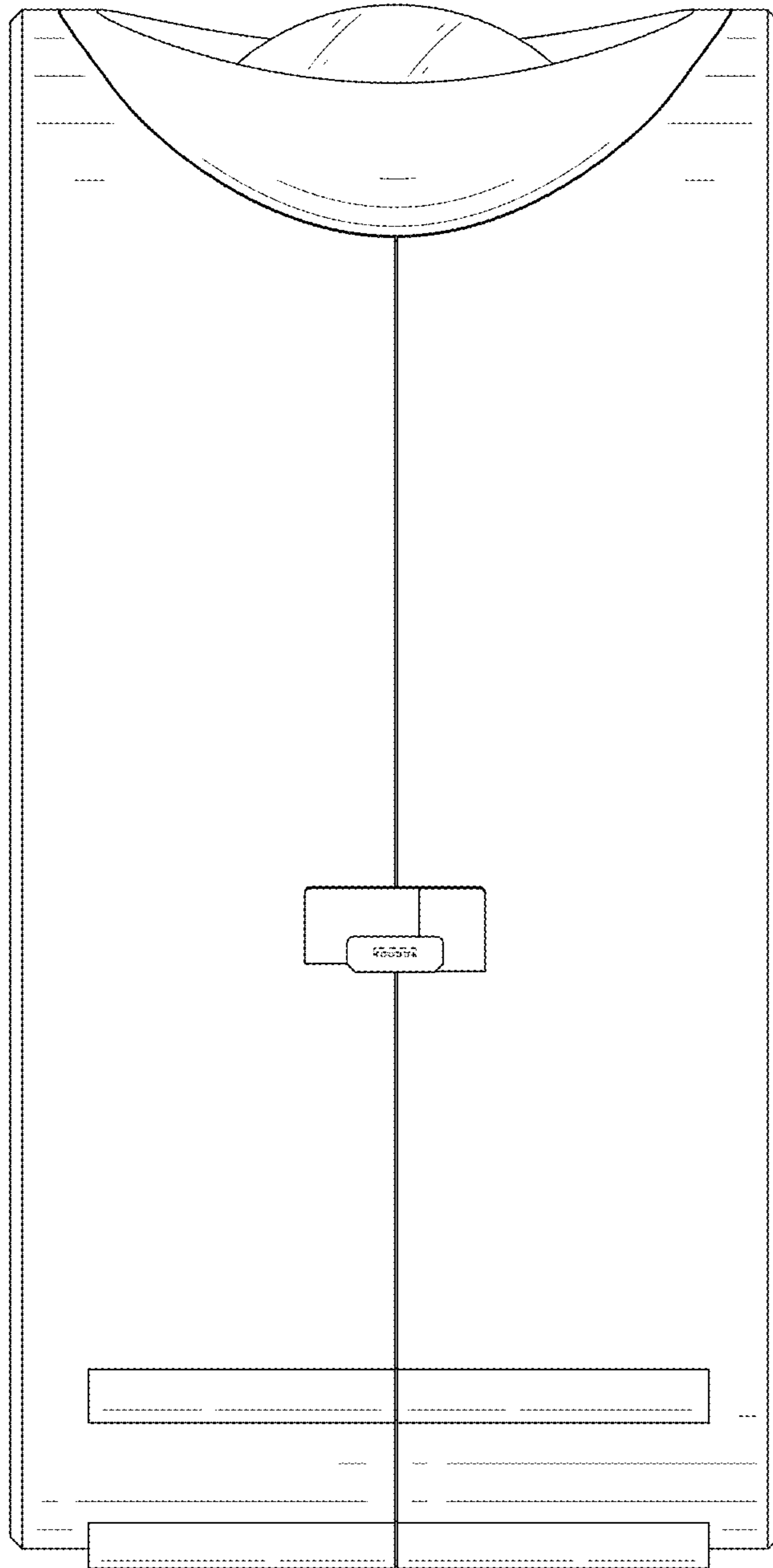


FIG. 5

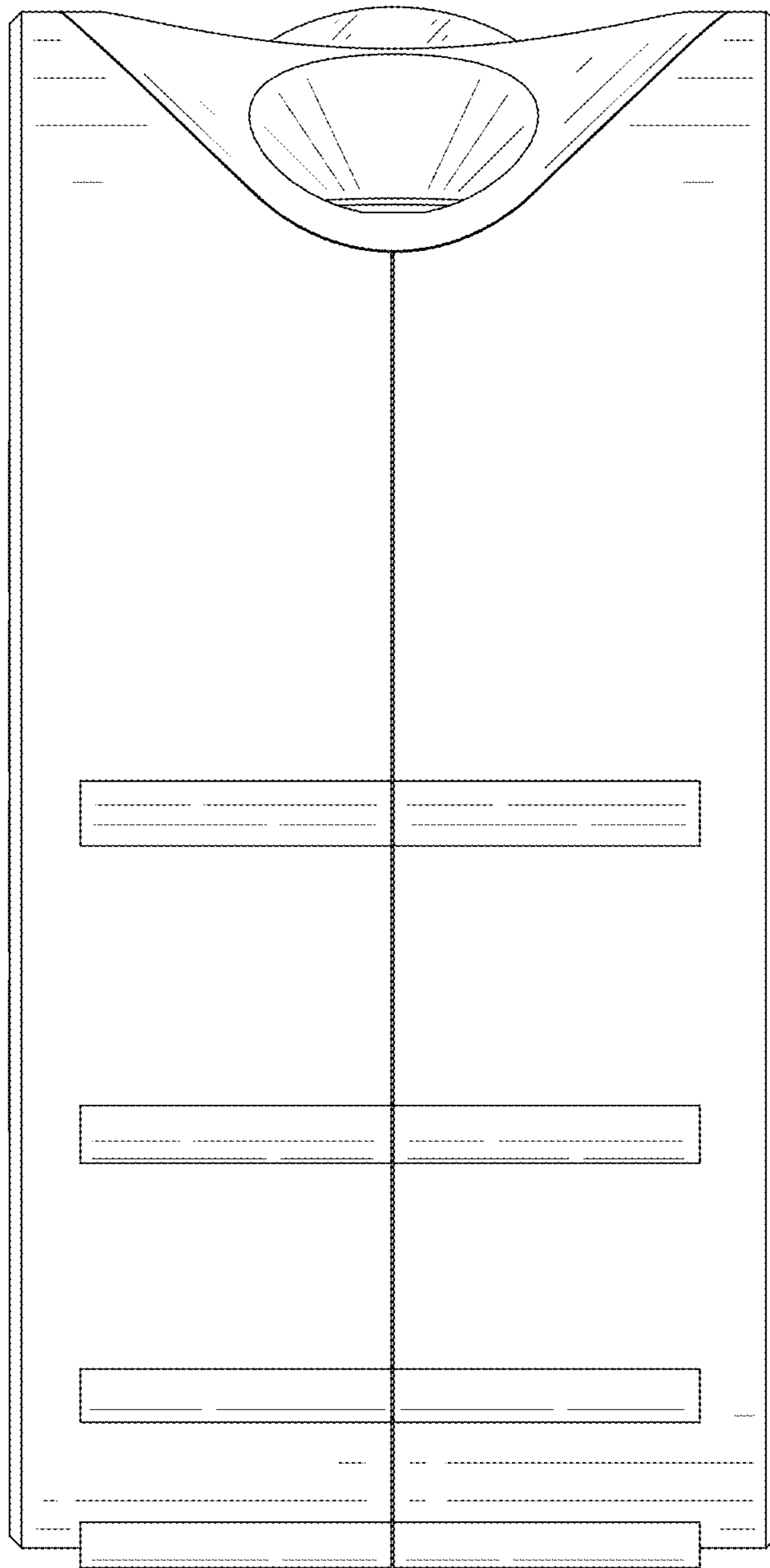


FIG. 6

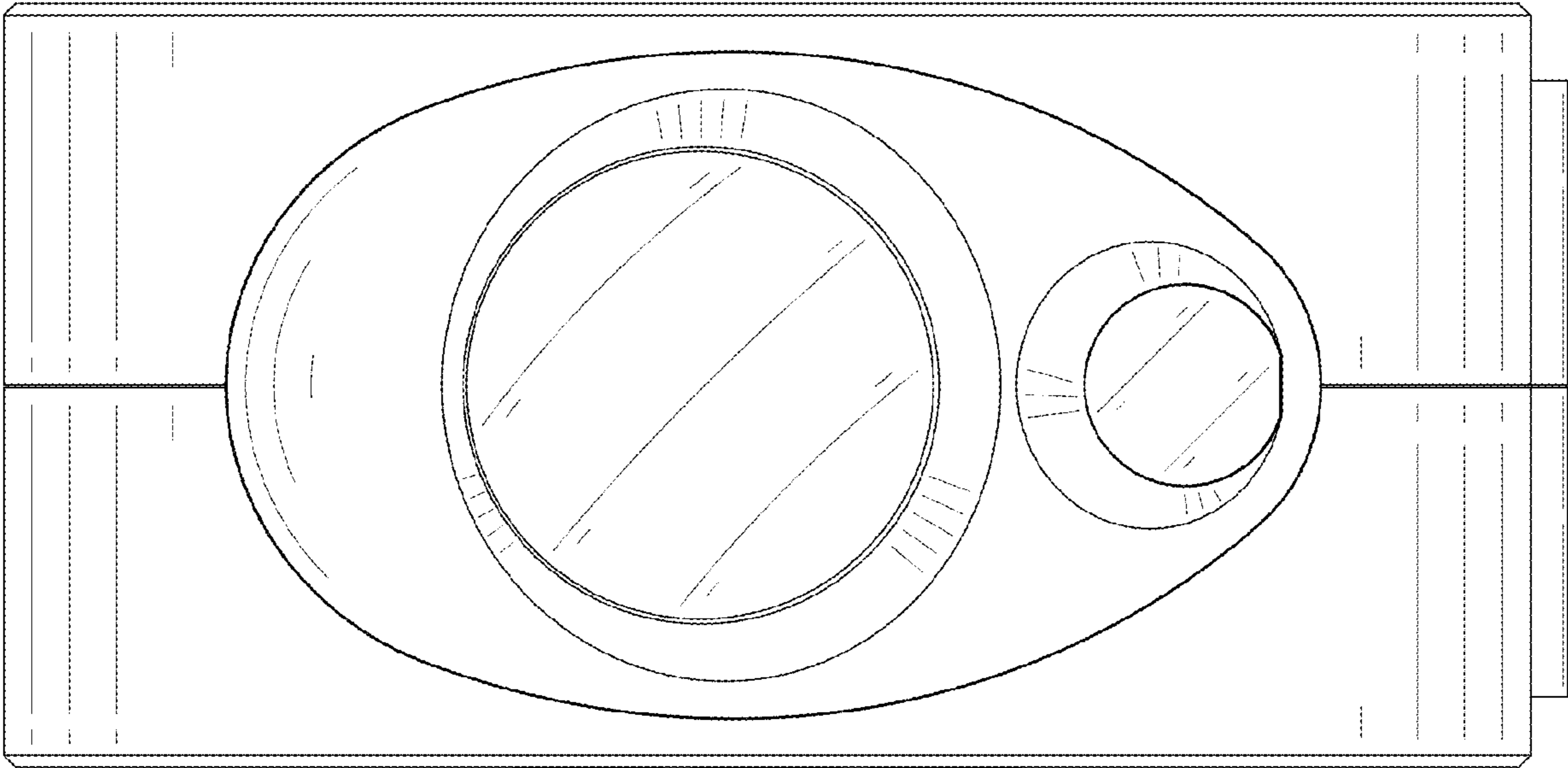


FIG. 7



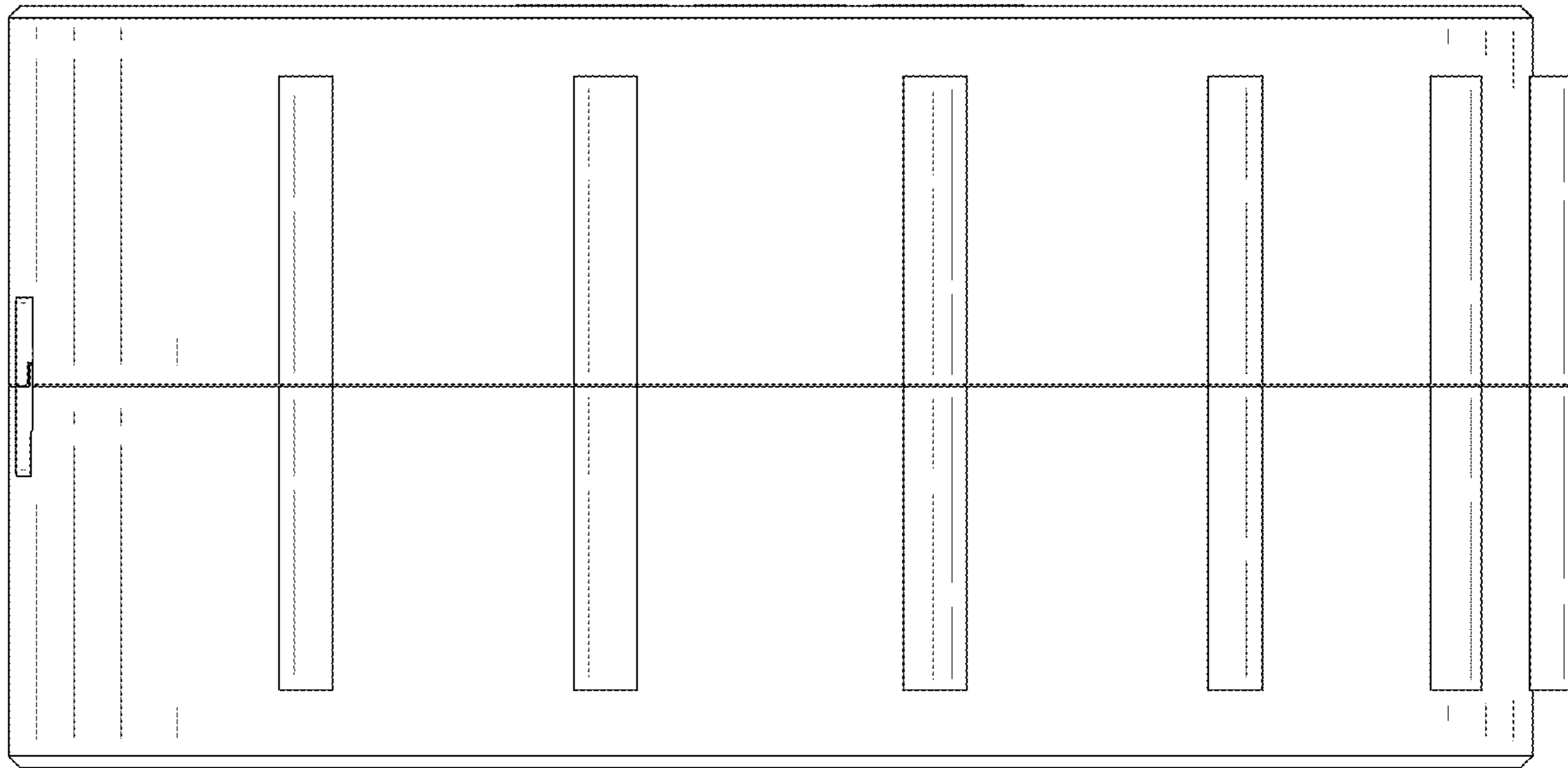


FIG. 8