



US00D922662S

(12) **United States Design Patent**
Giopato et al.

(10) **Patent No.:** **US D922,662 S**
(45) **Date of Patent:** **** Jun. 15, 2021**

(54) **CHANDELIER**
(71) Applicant: **GIOPATO & COOMBES S.R.L.**,
Treviso (IT)
(72) Inventors: **Cristiana Giopato**, Treviso (IT);
Christopher Coombes, Treviso (IT)

D786,482 S * 5/2017 Dixon D26/88
D786,483 S * 5/2017 Sonneman D26/90
D818,178 S * 5/2018 Dixon D26/88
D831,877 S * 10/2018 Dixon D26/88
D846,790 S * 4/2019 Wilkinson D26/88
D857,968 S * 8/2019 Sheridan D26/88

(73) Assignee: **GIOPATO & COOMBES S.r.L.**,
Treviso (IT)

(**) Term: **15 Years**

(21) Appl. No.: **35/509,073**

(22) Filed: **Mar. 30, 2020**

(80) **Hague Agreement Data**

Int. Filing Date: **Mar. 30, 2020**
Int. Reg. No.: **DM/207069**
Int. Reg. Date: **Mar. 30, 2020**
Int. Reg. Pub. Date: **Apr. 17, 2020**

(51) **LOC (13) Cl.** **26-05**

(52) **U.S. Cl.**
USPC **D26/90**

(58) **Field of Classification Search**

USPC D26/80, 81, 82, 84, 86, 88, 90, 91
CPC F21S 8/04; F21S 8/043; F21S 8/046; F21S
8/06; F21S 8/061; F21S 8/063; F21S
8/065; F21S 8/066; F21S 8/068

See application file for complete search history.

(56) **References Cited**

U.S. PATENT DOCUMENTS

D664,282 S * 7/2012 Santoro D26/90
D739,001 S * 9/2015 Crisa' D23/372

OTHER PUBLICATIONS

Giopato & Coombes Moonstone Shell Brushed Brass (available online) Retrieved from the internet Mar. 18, 2021 from URL: <https://gardeshop.com/giopato-coombes-moonstone-shell-brushed-brass>.*

* cited by examiner

Primary Examiner — Kevin K Rudzinski

Assistant Examiner — Richard Kearney

(74) *Attorney, Agent, or Firm* — Thomas | Horstemeyer, LLP

(57) **CLAIM**

The ornamental design for a chandelier, as shown and described.

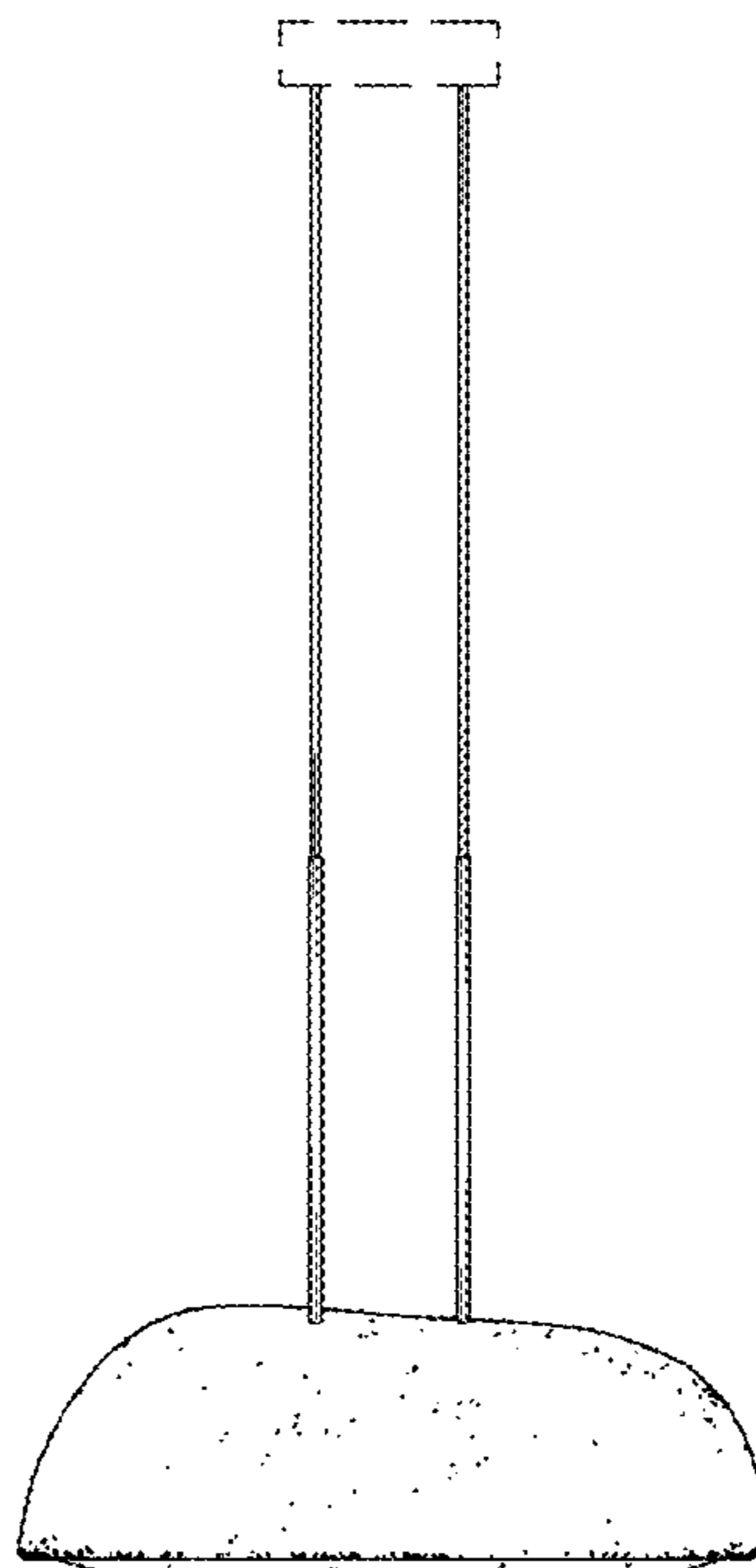
DESCRIPTION

1. Chandelier

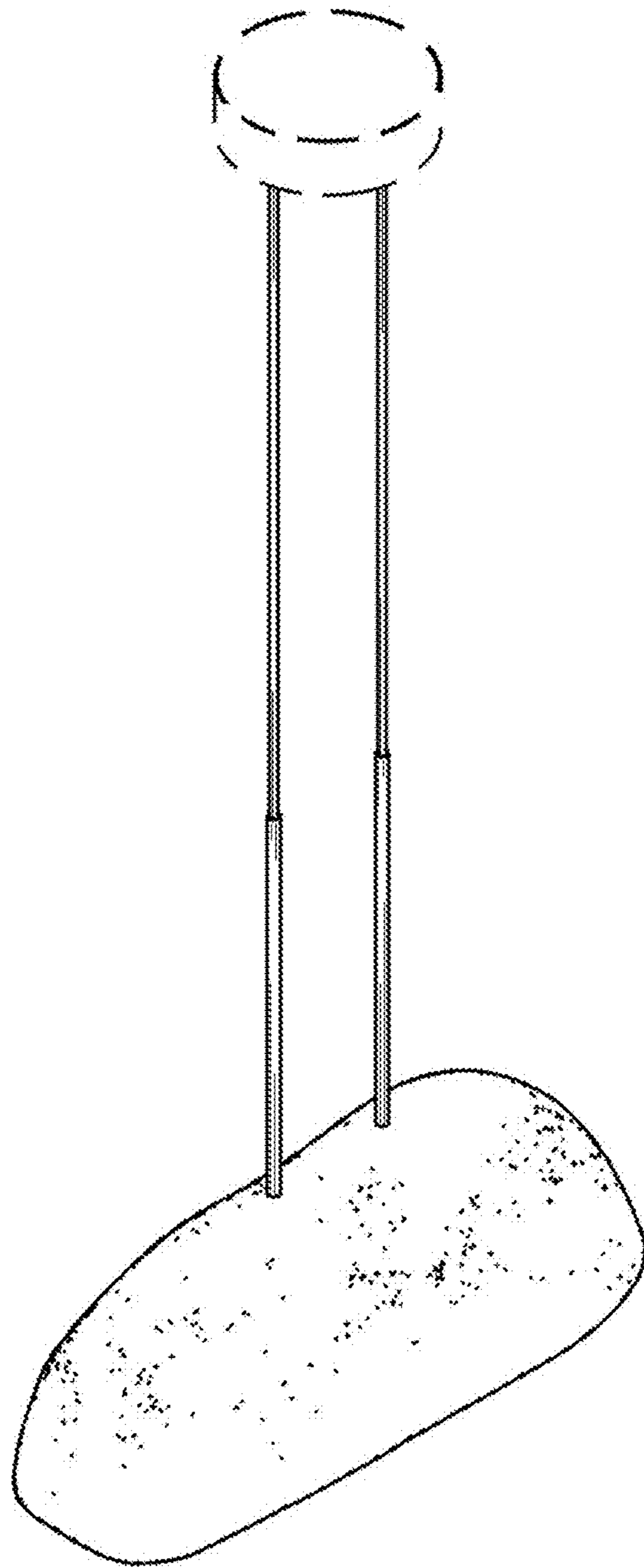
Fig. 1.1 is a perspective view of the chandelier; Fig. 1.2 is a front view thereof; Fig. 1.3 is a rear view thereof; Fig. 1.4 is a right view thereof; Fig. 1.5 is a left view thereof; Fig. 1.6 is a top view thereof; Fig. 1.7 is a bottom view thereof.

The broken lines shown in the drawings illustrate environmental structure and form no part of the claimed design.

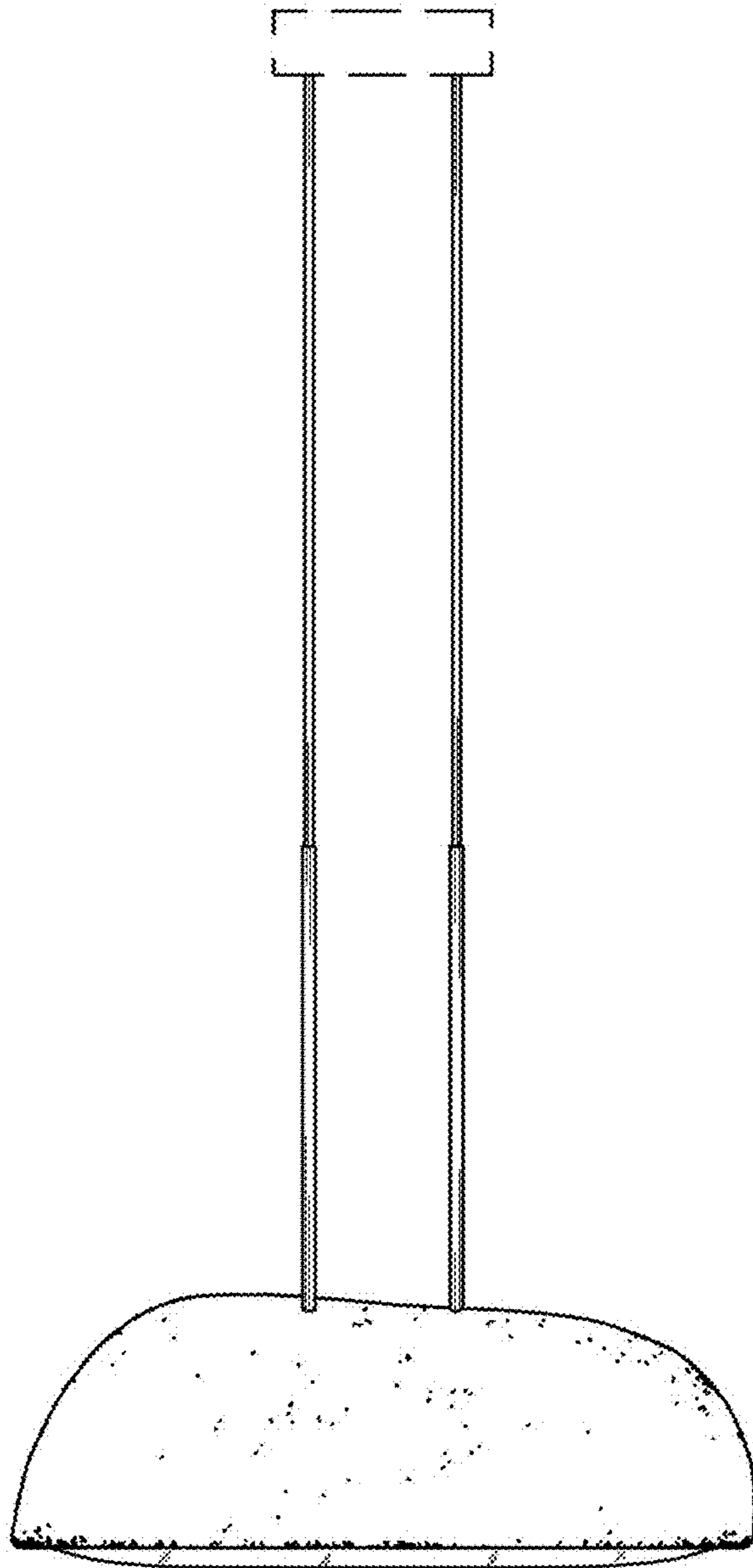
1 Claim, 7 Drawing Sheets



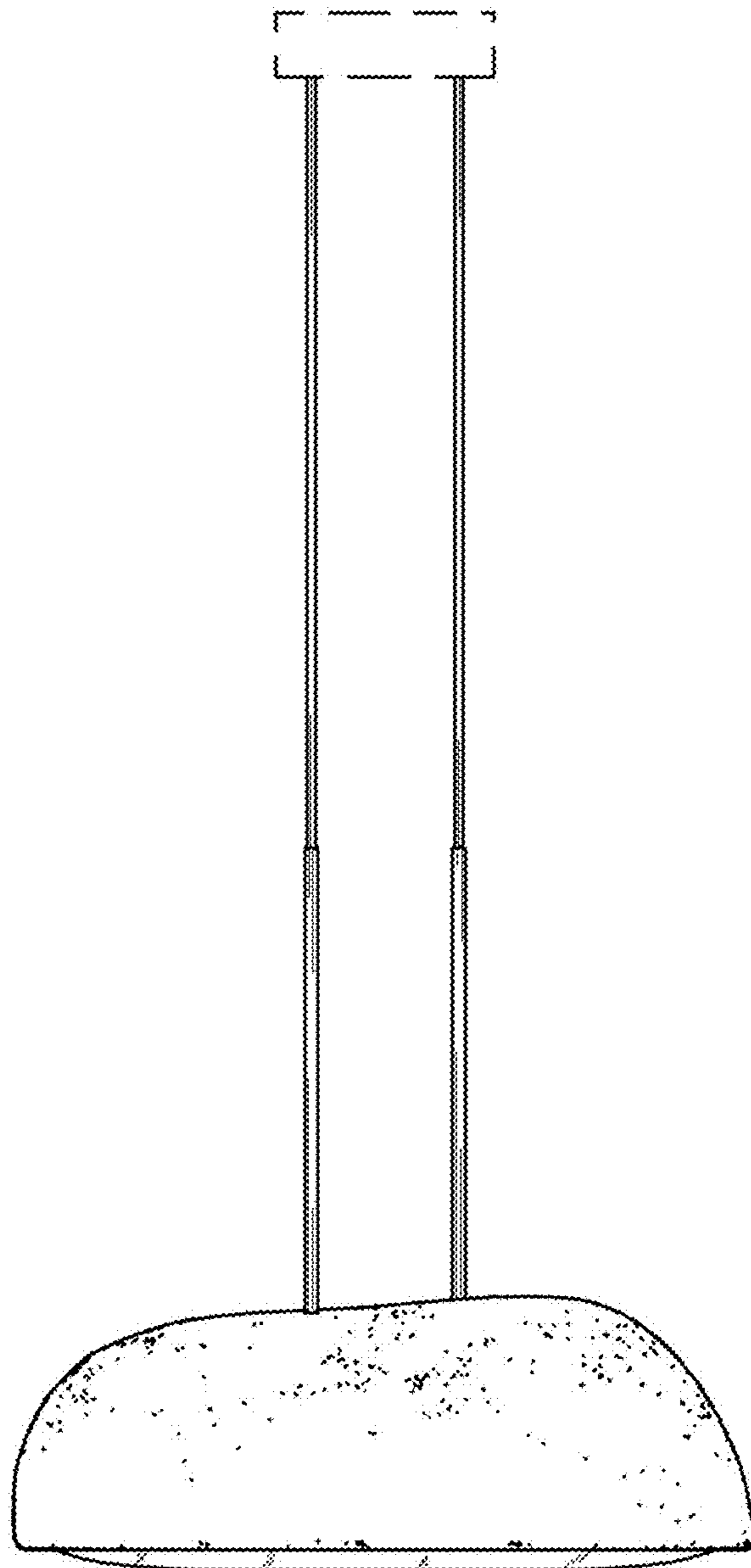
1.1



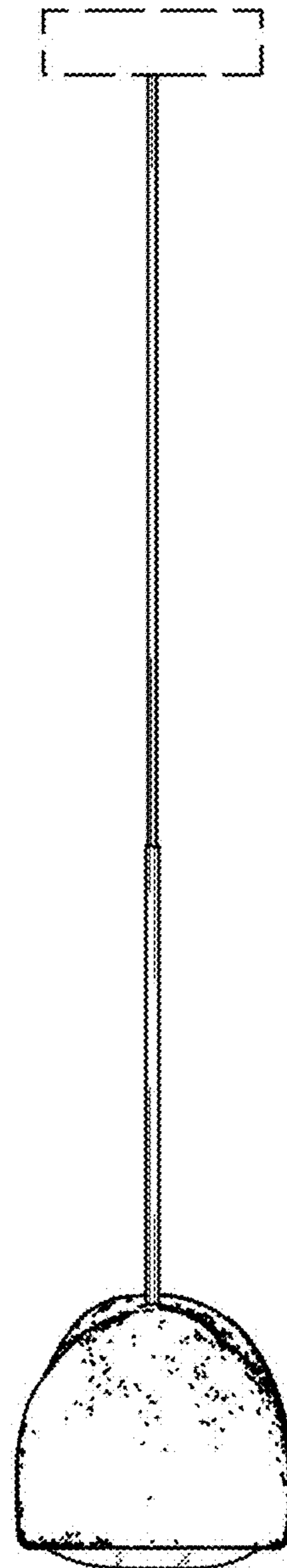
1.2



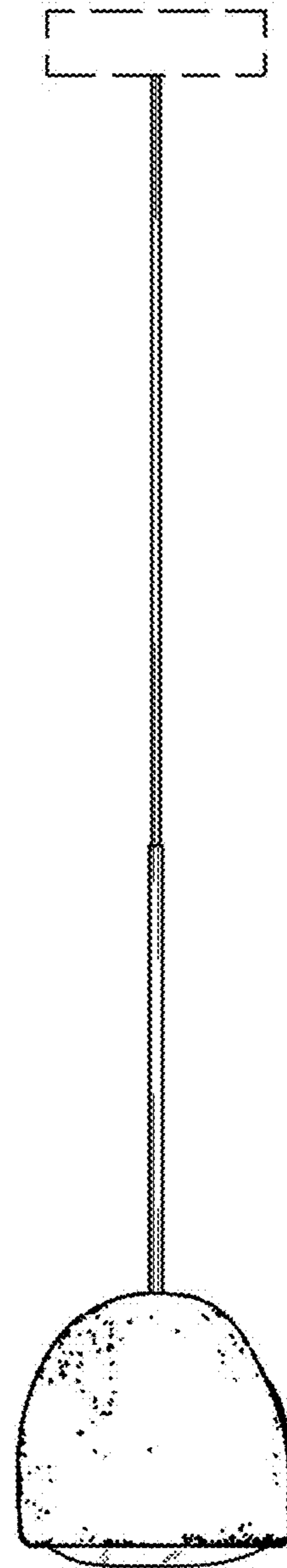
1.3



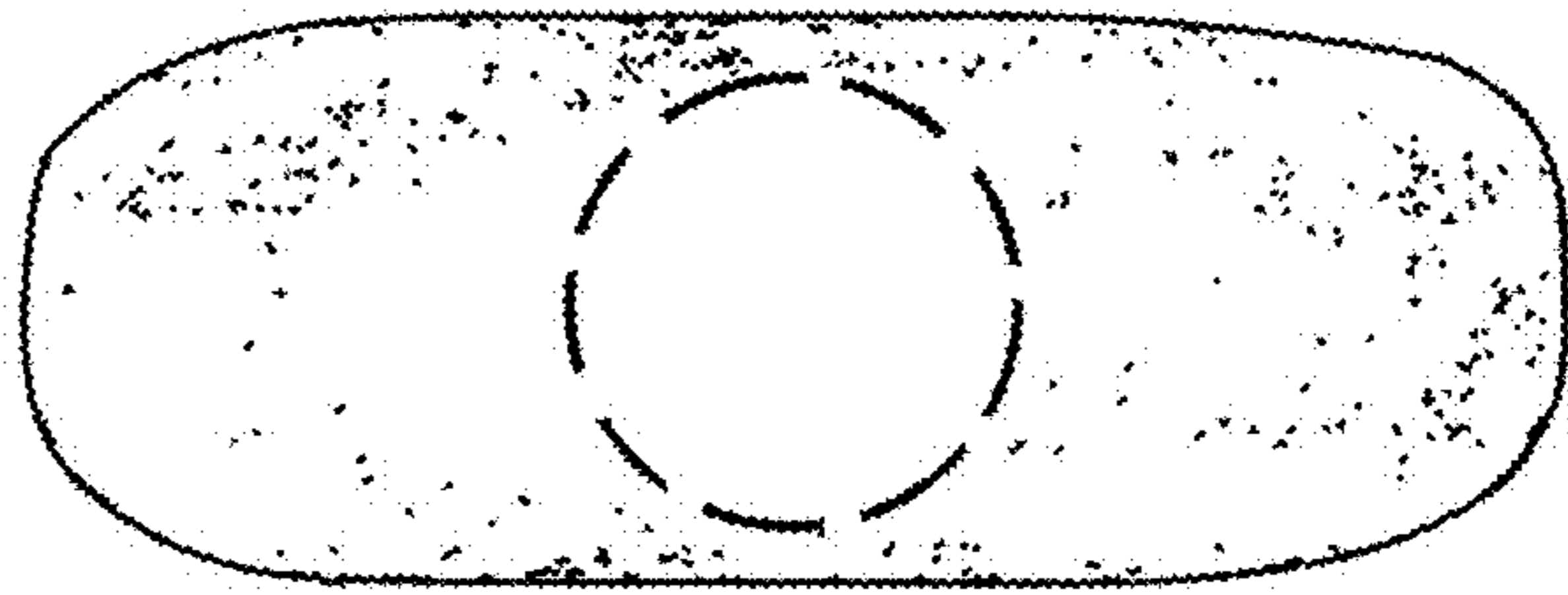
1.4



1.5



1.6



1.7

