



US00D922661S

(12) **United States Design Patent**
Zhu

(10) **Patent No.:** **US D922,661 S**

(45) **Date of Patent:** **** Jun. 15, 2021**

(54) **LIGHT**

(71) Applicants: **Foshan Shine-Tech Lighting Electric LTD**, Foshan (CN); **ECOLUX CORP. LIMITED**, Irvine, CA (US)

(72) Inventor: **Bo Zhu**, Foshan (CN)

(**) Term: **15 Years**

(21) Appl. No.: **29/732,641**

(22) Filed: **Apr. 27, 2020**

(51) **LOC (13) Cl.** **26-03**

(52) **U.S. Cl.**
USPC **D26/89**

(58) **Field of Classification Search**
USPC D26/24, 72, 76, 80, 85, 89, 88
CPC F21S 8/03; F21S 8/036; F21S 8/037; F21S 9/02; F21S 9/024; F21S 9/03; F21S 9/037; F21W 2131/107; G08B 13/19; G08B 13/193

See application file for complete search history.

(56) **References Cited**

U.S. PATENT DOCUMENTS

D64,937 S *	6/1924	Stair	D26/128
3,836,766 A *	9/1974	Auerbach	F21S 8/033 362/311.14
D341,441 S *	11/1993	Shapiro	D26/118
D560,299 S *	1/2008	Bucher	D26/59
D583,982 S *	12/2008	Meyer	D26/89
D603,553 S *	11/2009	Orozco	D26/136
D604,448 S *	11/2009	Sabernig	D26/89
D662,621 S *	6/2012	Yamamoto	D26/2
D785,848 S *	5/2017	Couture	D26/89
D850,702 S *	6/2019	Yang	D26/110

D866,014 S *	11/2019	Zhang	D26/24
D907,278 S *	1/2021	Zhu	D26/89
2019/0101257 A1 *	4/2019	Boulanger	F21V 15/01

OTHER PUBLICATIONS

VICNIE 14 inch Ceiling Light Fixtures, ASIN: B07W684CNQ, available at amazon.com Aug. 4, 2019. (Year: 2019).*
VICNIE 14 inch Semi Flush Mount Ceiling Light, ASIN: B08D9953GT, available at amazon.com Jul. 20, 2020. (Year: 2020).*
Tucker 15¾"W Polished Nickel Ceiling Light, Style # 16F58 available at lampsplus.com visited Mar. 10, 2021. (Year: 2021).*

* cited by examiner

Primary Examiner — Clare E Heflin

(74) *Attorney, Agent, or Firm* — Rumit Ranjit Kanakia

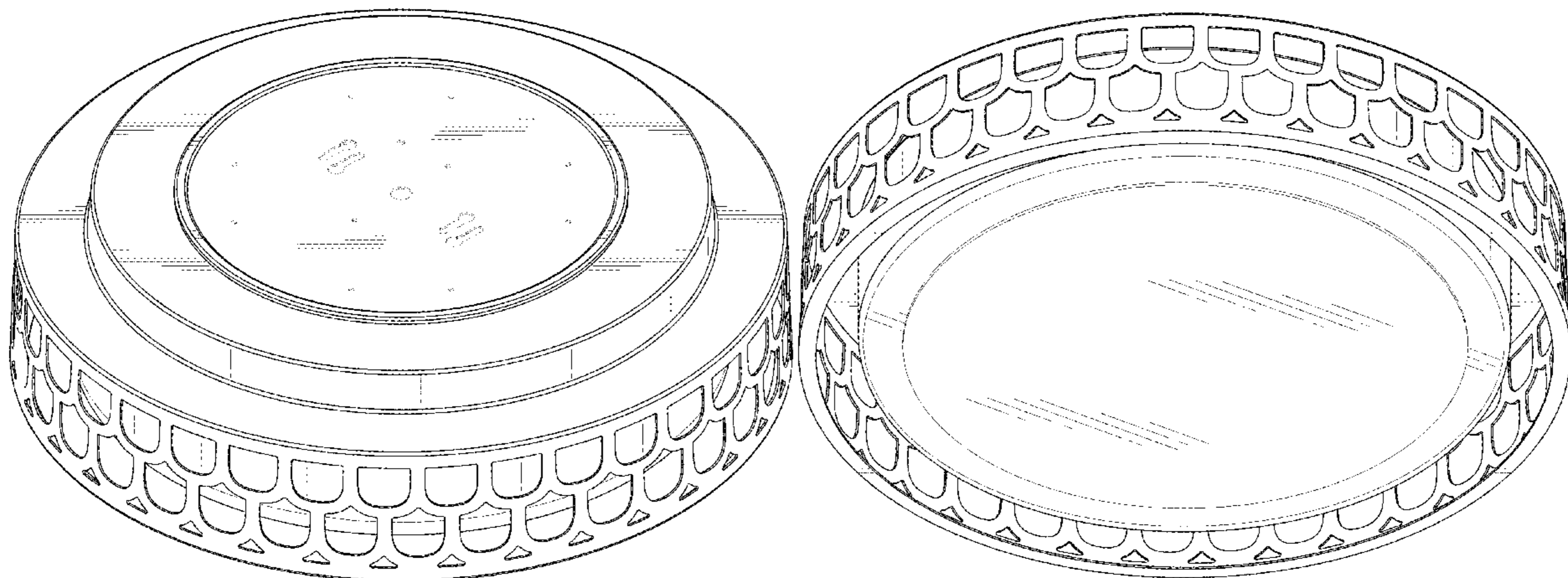
(57) **CLAIM**

I claim the ornamental design for a light, as shown and described.

DESCRIPTION

FIG. 1 is a Perspective view of a light showing my new design;
FIG. 2 is another Perspective view of a light showing my new design;
FIG. 3 is a Left-side view thereof;
FIG. 4 is a Right-side view thereof;
FIG. 5 is a Top view thereof;
FIG. 6 is a Bottom view thereof;
FIG. 7 is a Front view thereof; and,
FIG. 8 is a Back view thereof.
The broken lines are for the purpose of illustrating portions of the article that form no part of the claim.

1 Claim, 8 Drawing Sheets



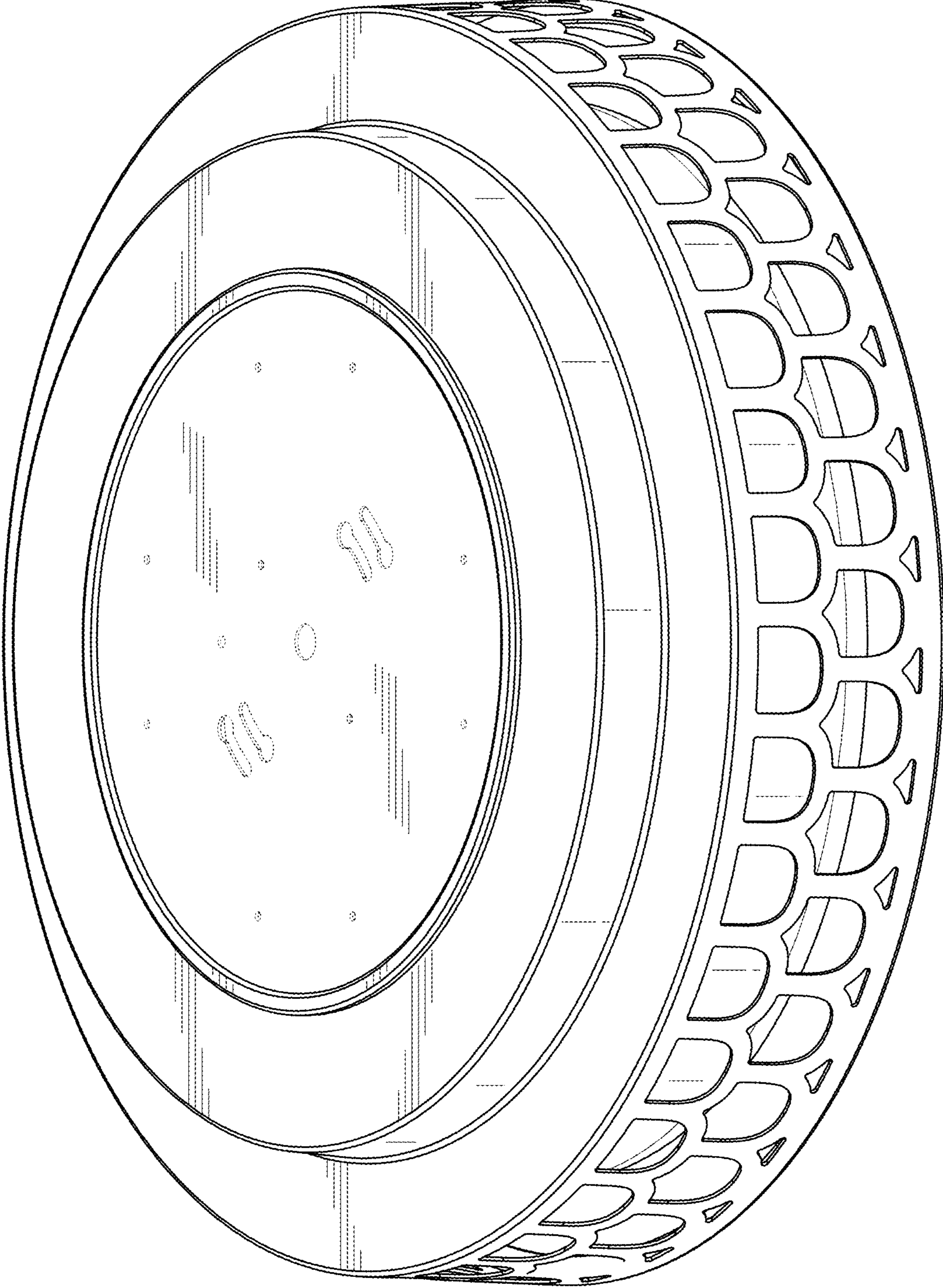


FIG. 1

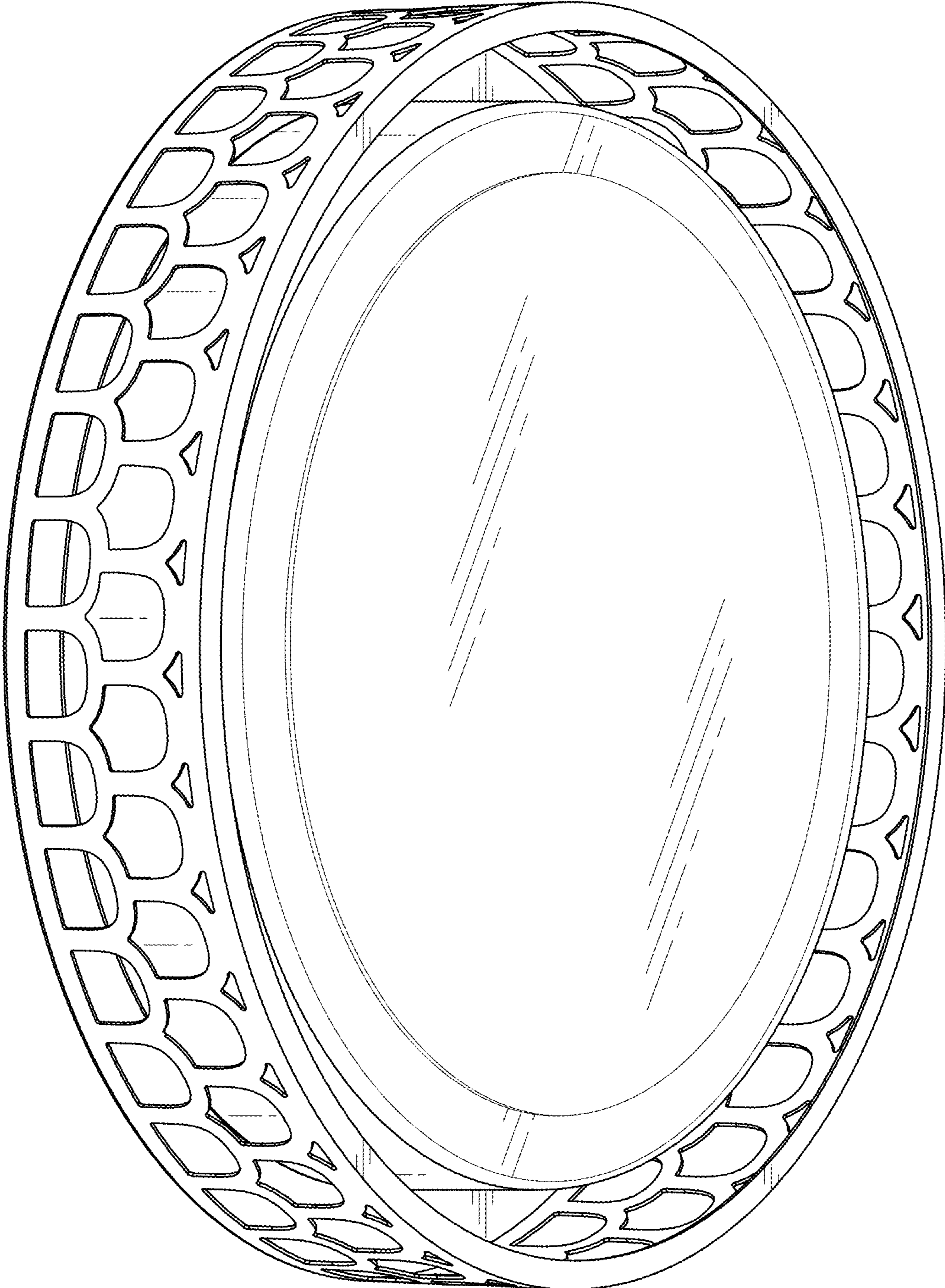


FIG. 2

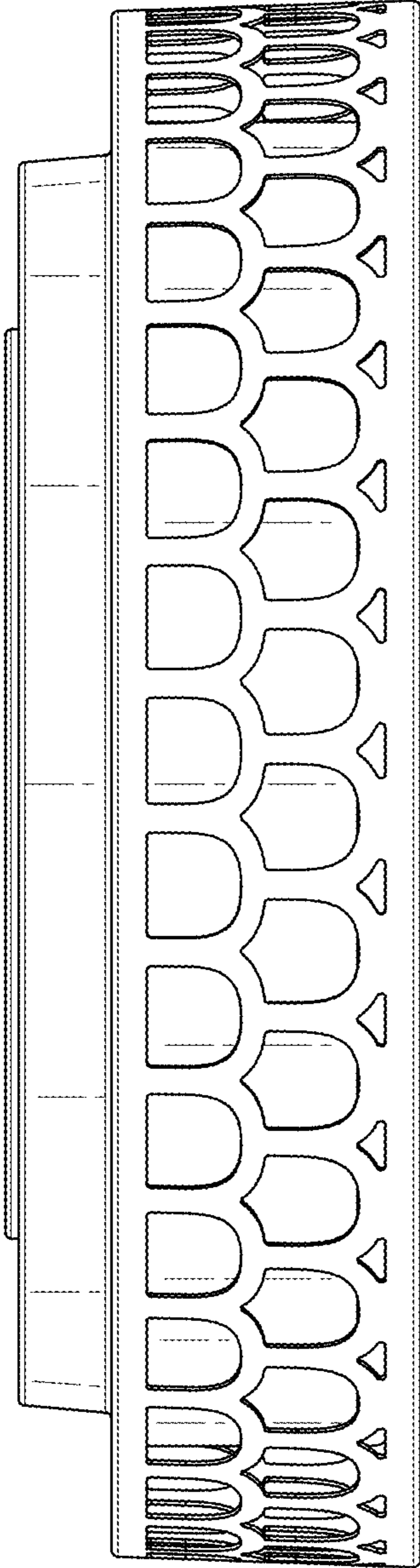


FIG. 3

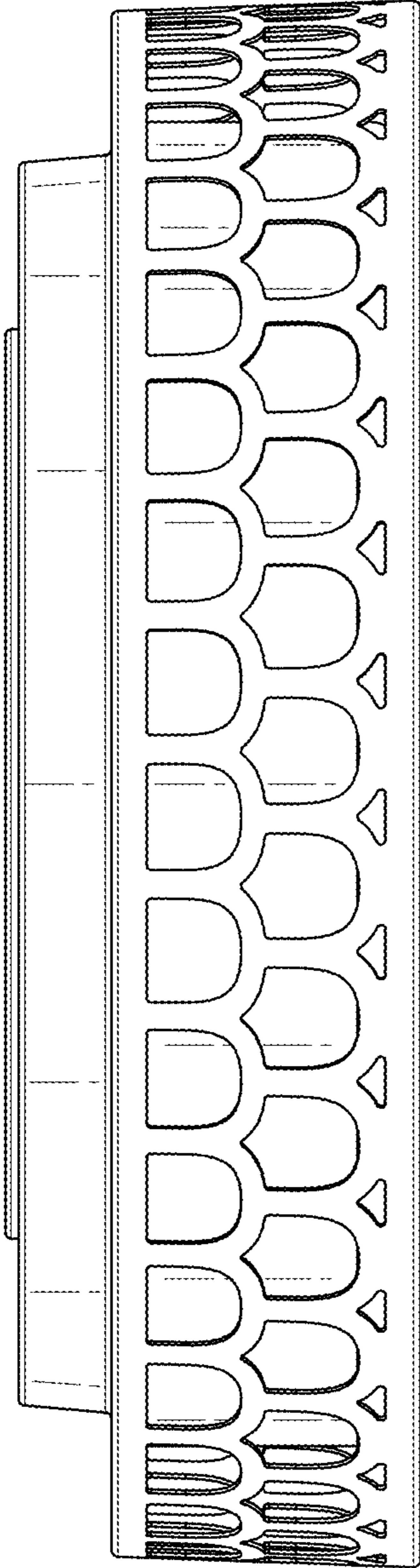


FIG. 4

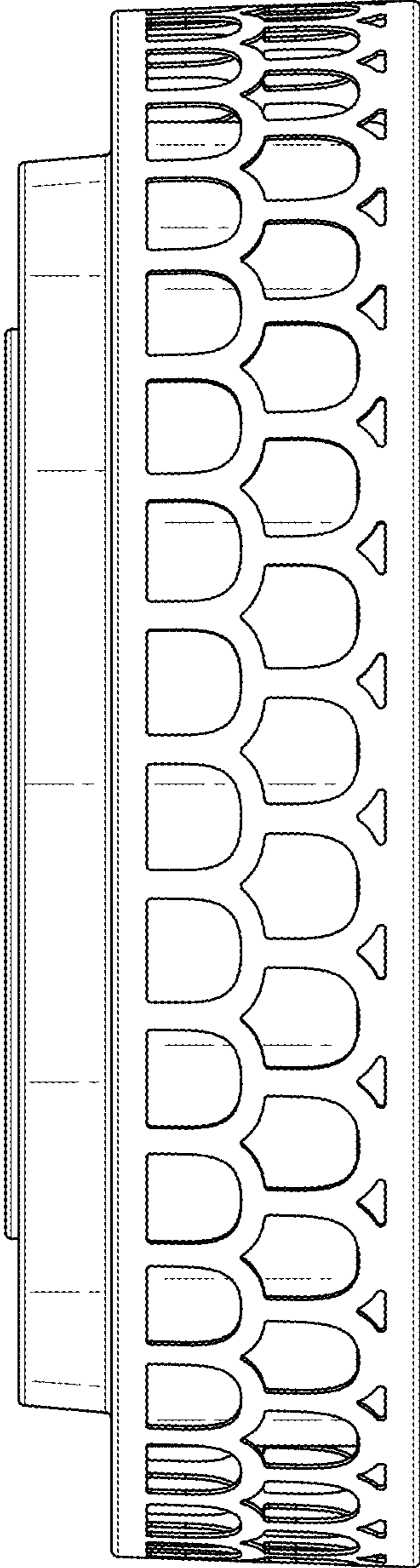


FIG. 5

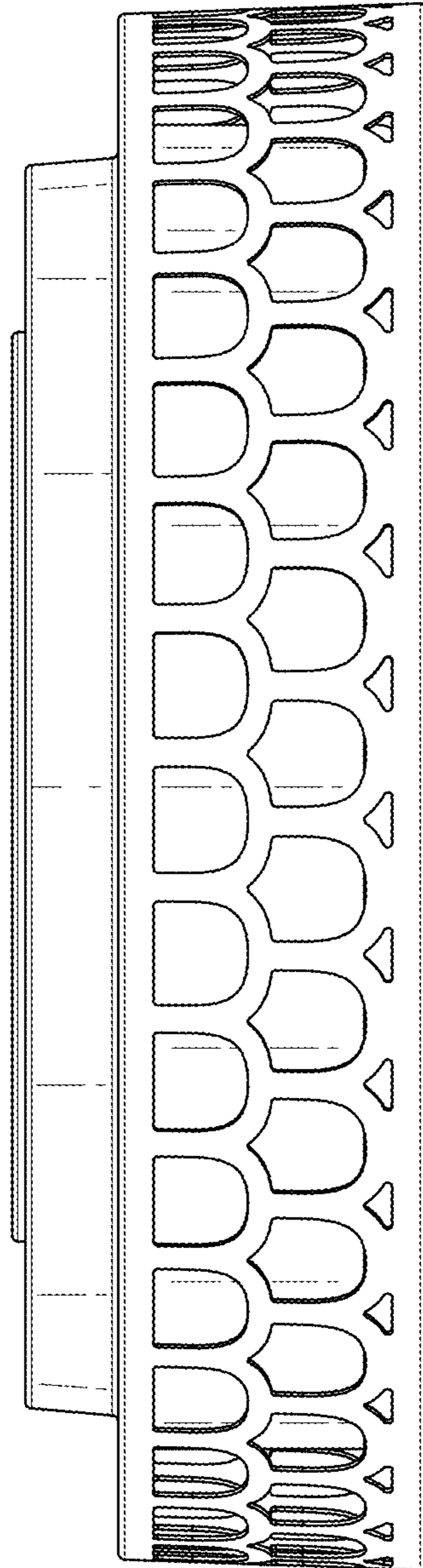


FIG. 6

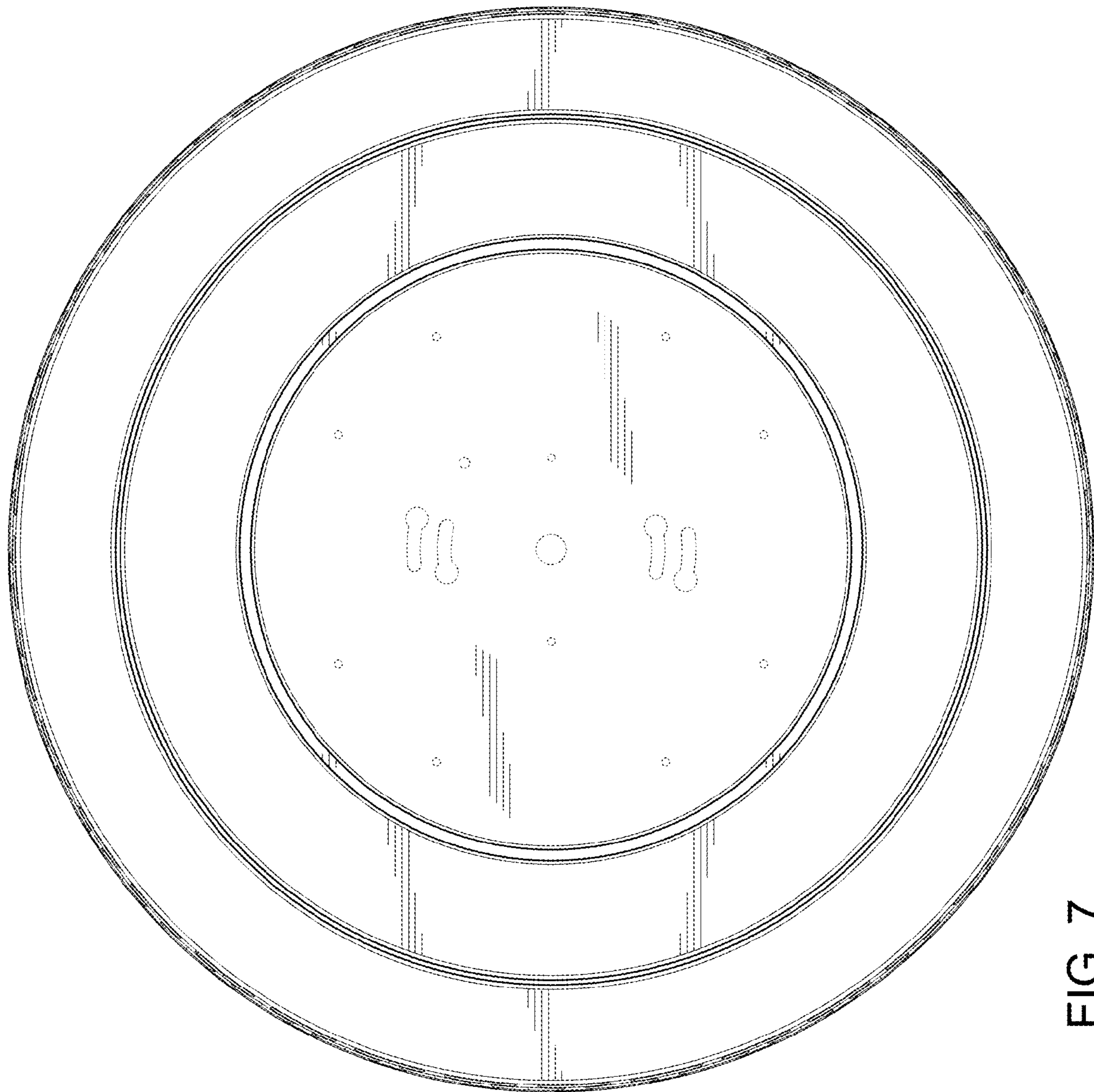


FIG. 7

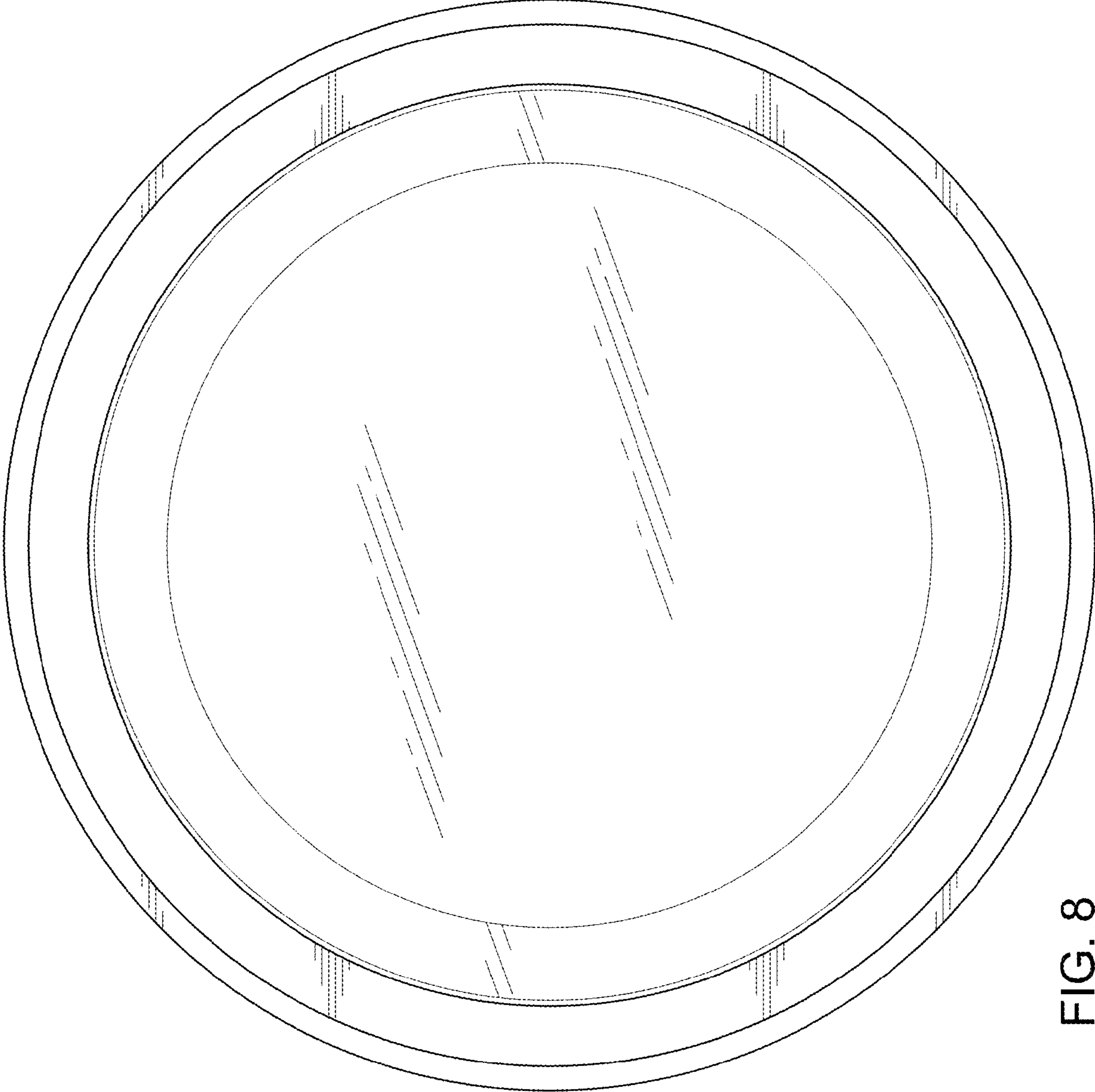


FIG. 8