



US00D922660S

(12) **United States Design Patent**
Amato et al.

(10) **Patent No.:** **US D922,660 S**

(45) **Date of Patent:** **** Jun. 15, 2021**

(54) **LIGHTING FIXTURE**

(71) Applicant: **The Urban Electric Company**, North Charleston, SC (US)

(72) Inventors: **Michael Amato**, London (GB); **David Dawson**, Charleston, SC (US); **Jonathan Charpia**, Summerville, SC (US); **Joeangel Casanova**, Brooklyn, NY (US); **Brianna Magagnoli**, North Charleston, SC (US); **Janis Golubeckis**, Mount Pleasant, SC (US)

(73) Assignee: **The Urban Electric Company**, North Charleston, SC (US)

(**) Term: **15 Years**

(21) Appl. No.: **29/754,770**

(22) Filed: **Oct. 14, 2020**

Related U.S. Application Data

(63) Continuation-in-part of application No. 29/690,762, filed on May 10, 2019, now Pat. No. Des. 903,935.

(51) **LOC (13) Cl.** **26-03**

(52) **U.S. Cl.**
USPC **D26/88**

(58) **Field of Classification Search**
USPC D26/72, 76, 80-86, 88-91
CPC F21S 8/03; F21S 8/04; F21S 8/043; F21S 8/046; F21S 8/06; F21S 8/061; F21S 8/063; F21S 8/065
See application file for complete search history.

(56) **References Cited**

U.S. PATENT DOCUMENTS

D38,639 S * 6/1907 Weyer D26/84
D75,420 S * 6/1928 Frerichs D26/88
D86,316 S * 2/1932 Klein D26/88

D101,317 S * 9/1936 Winkler D26/88
D109,661 S * 5/1938 Hoeveler D26/88
D581,087 S * 11/2008 Sabernig D26/88

(Continued)

Primary Examiner — Clare E Heflin

(74) *Attorney, Agent, or Firm* — Haynsworth Sinkler Boyd, P.A.

(57) **CLAIM**

The ornamental design for a lighting fixture, as shown and described.

DESCRIPTION

FIG. 1 is a bottom perspective view of a lighting fixture depicting a new design;

FIG. 2 is a top perspective view thereof;

FIG. 3 is a front elevational view thereof;

FIG. 4 is a back elevational view thereof;

FIG. 5 is a right elevational view thereof;

FIG. 6 is a left elevational view thereof;

FIG. 7 is a top plan view thereof; and

FIG. 8 is a bottom plan view thereof.

FIG. 9 is a bottom perspective view of the lighting fixture including an alternative mounting arrangement;

FIG. 10 is a top perspective view thereof;

FIG. 11 is a front elevational view thereof;

FIG. 12 is a back elevational view thereof;

FIG. 13 is a right elevational view thereof;

FIG. 14 is a left elevational view thereof;

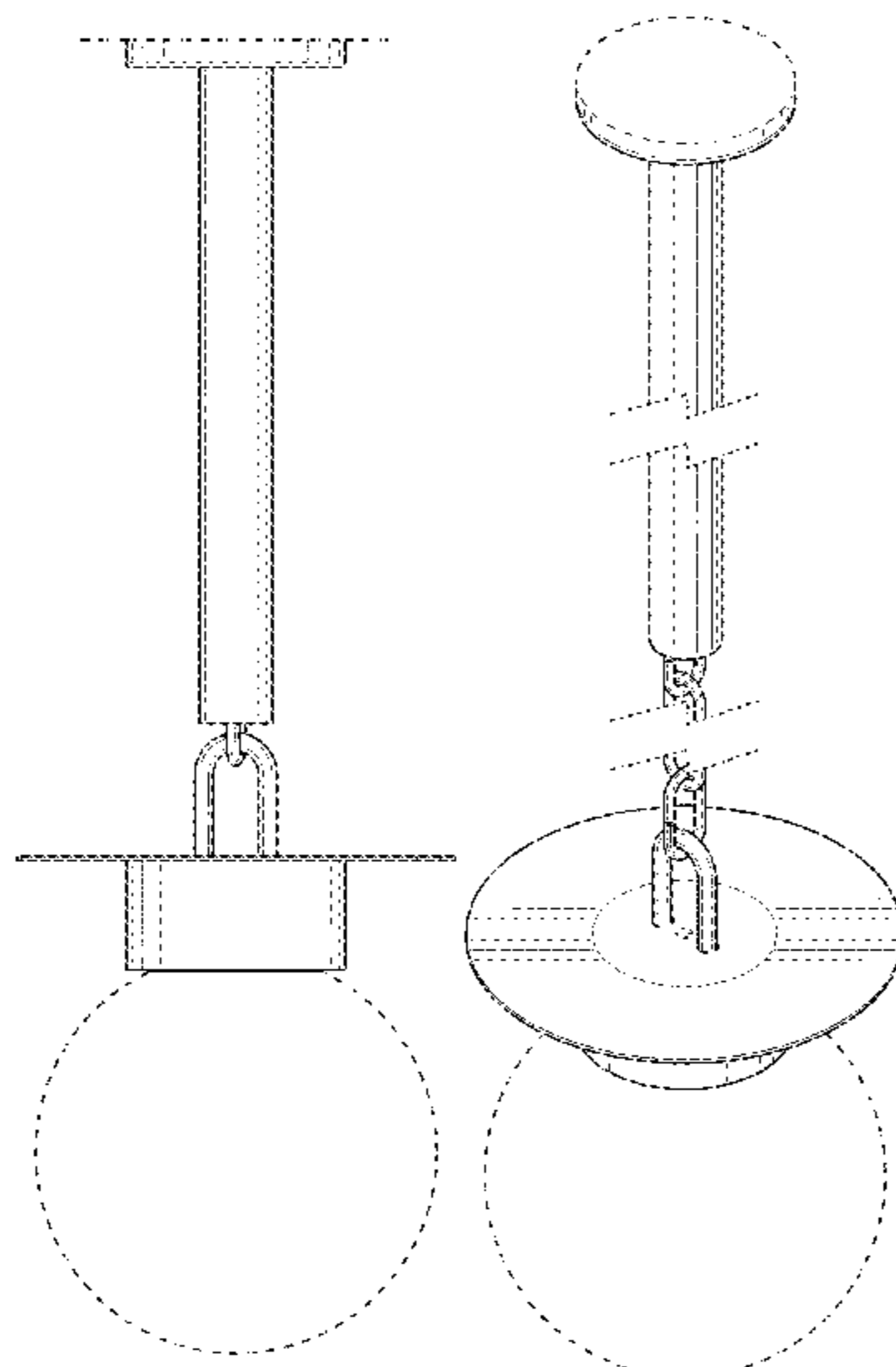
FIG. 15 is a top plan view thereof; and

FIG. 16 is a bottom plan view thereof.

The break lines shown in FIGS. 9-14 of the drawings indicate that the appearance of any portion of the article between the break lines forms no part of the claimed design.

The horizontal broken lines extending from the perimeter of the lighting fixture in FIGS. 3, 4, 5, and 6, represent environment which forms no part of the claimed design. The remaining broken line disclosures in the views represent portions of the lighting fixture that form no part of the claimed design.

1 Claim, 14 Drawing Sheets



(56)

References Cited

U.S. PATENT DOCUMENTS

D599,947 S *	9/2009	Sabernig	D26/88
D805,237 S *	12/2017	Amato	D26/88
D843,632 S *	3/2019	Sohrab	D26/88
D849,309 S *	5/2019	Hendifar	D26/88
D893,084 S *	8/2020	Amato	D26/88
2017/0153017 A1 *	6/2017	Benner	F21V 33/006

* cited by examiner

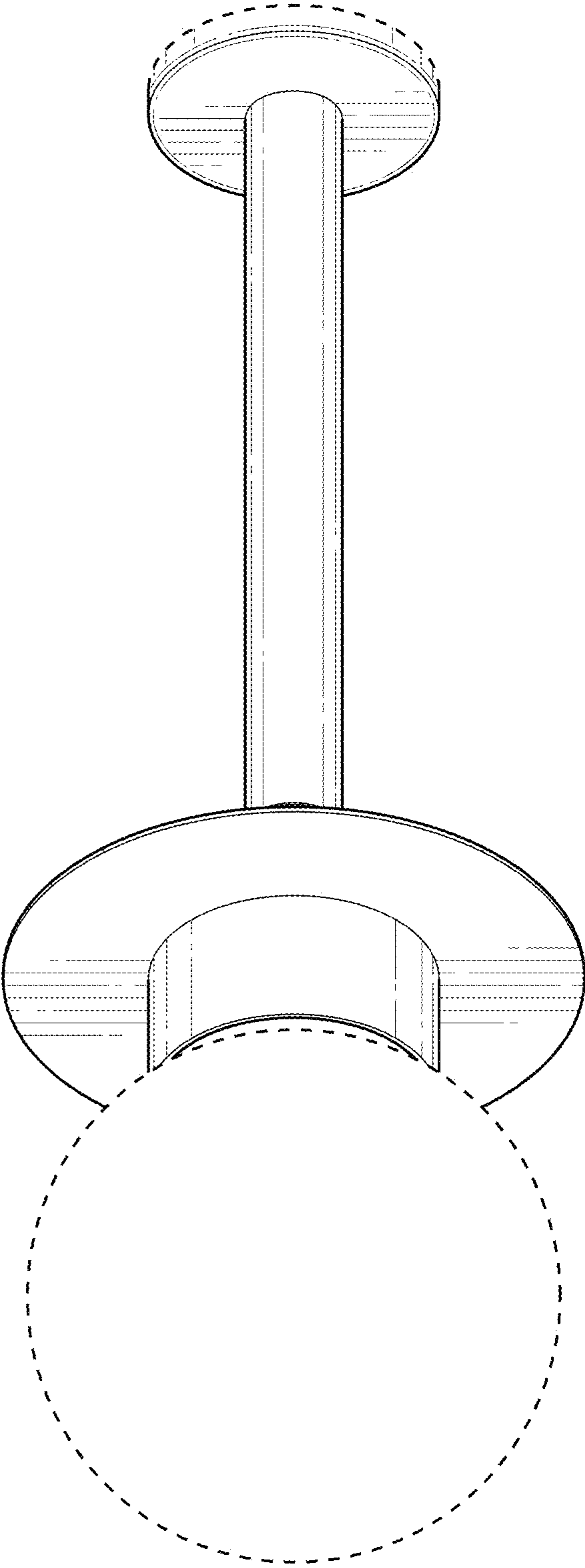


FIG. 1

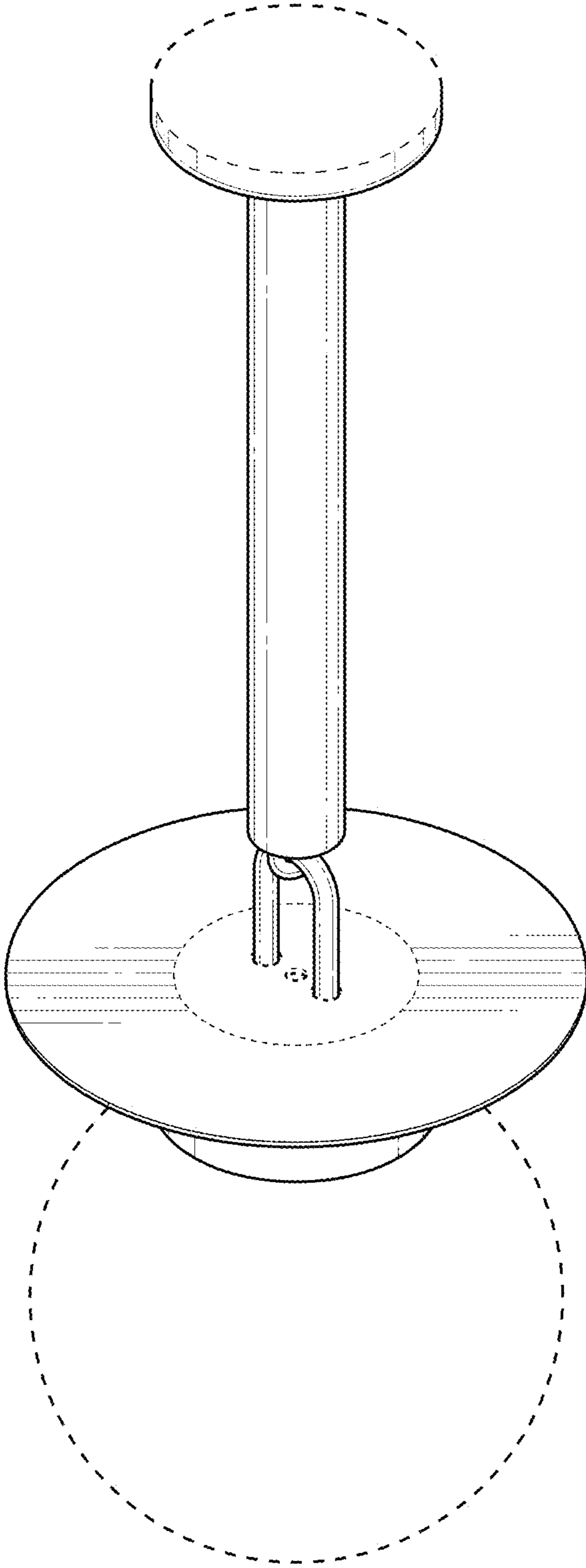


FIG. 2

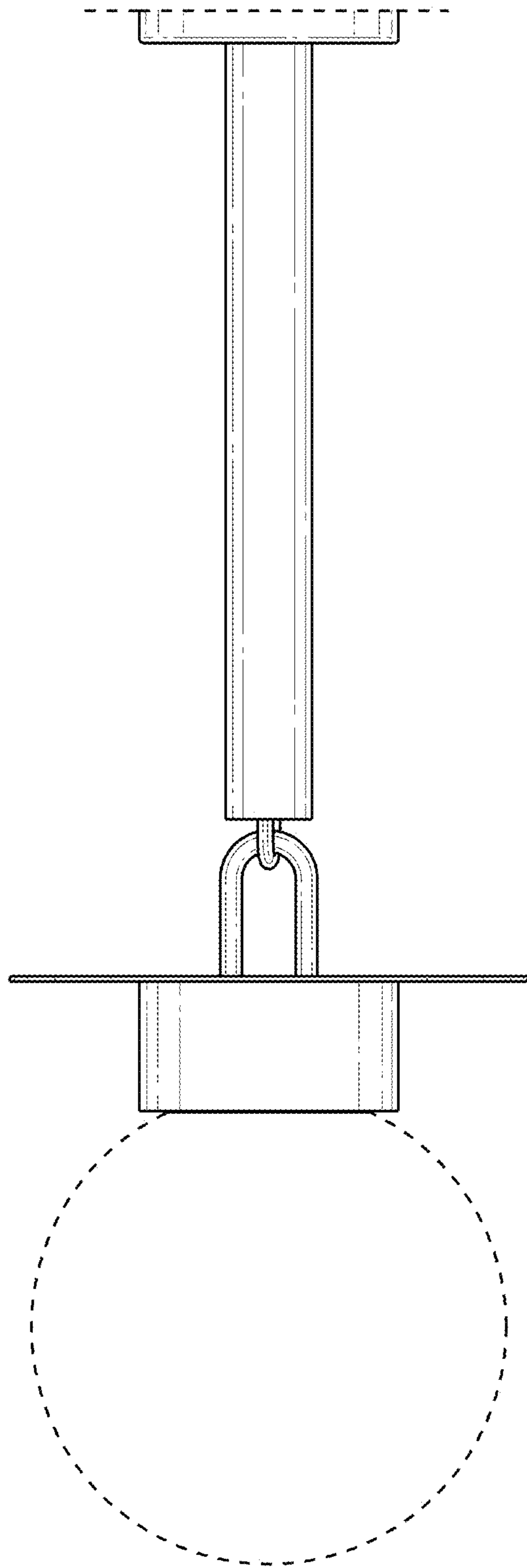


FIG. 3

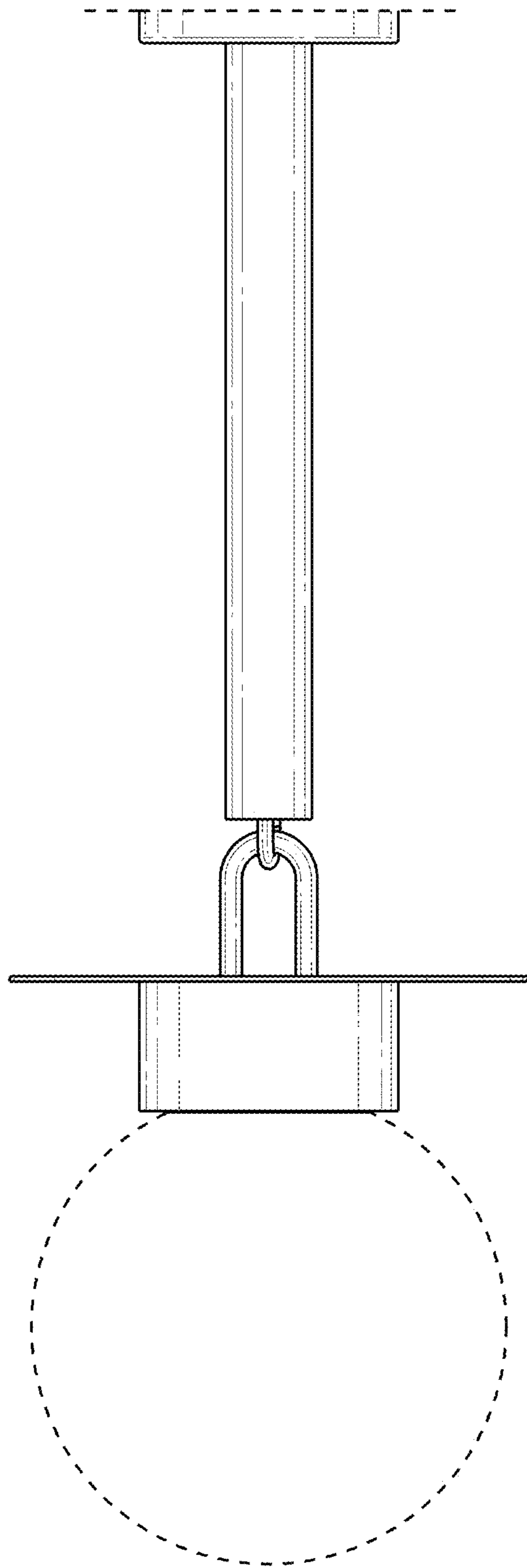


FIG. 4

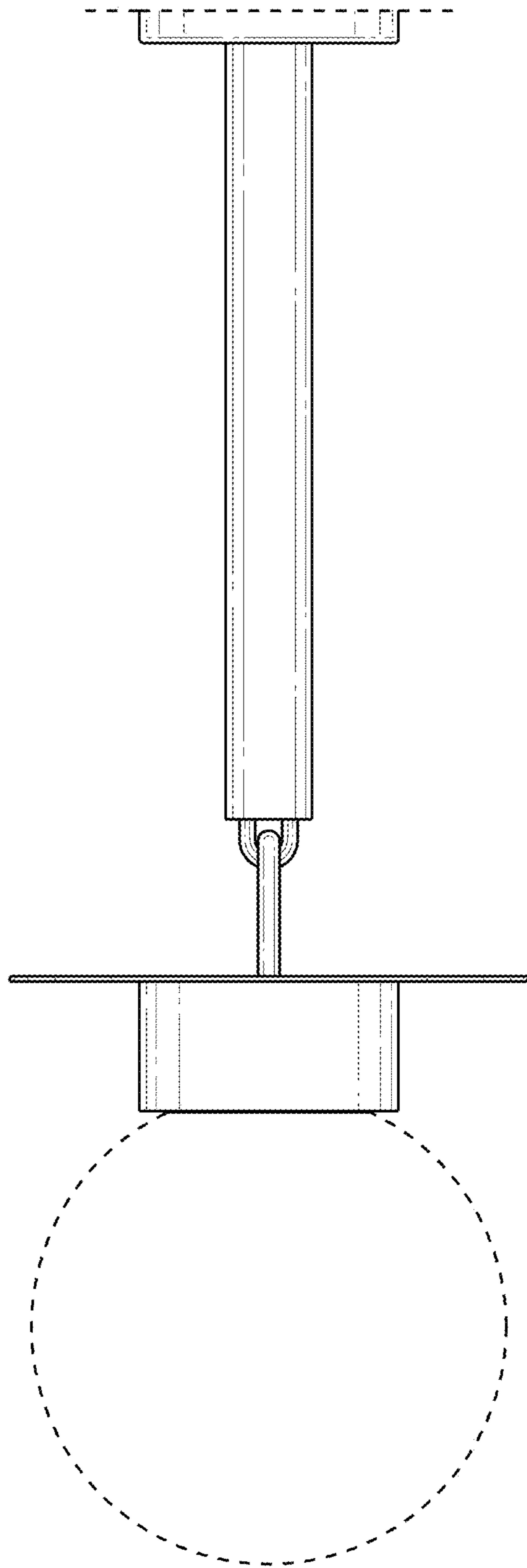


FIG. 5

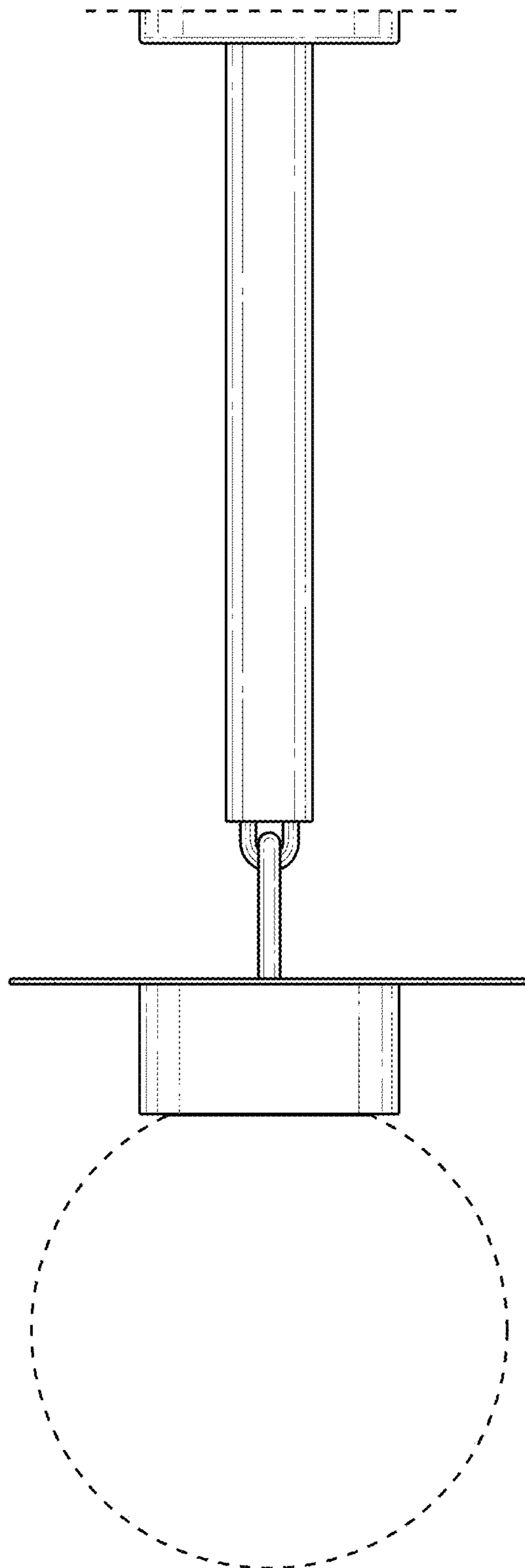


FIG. 6

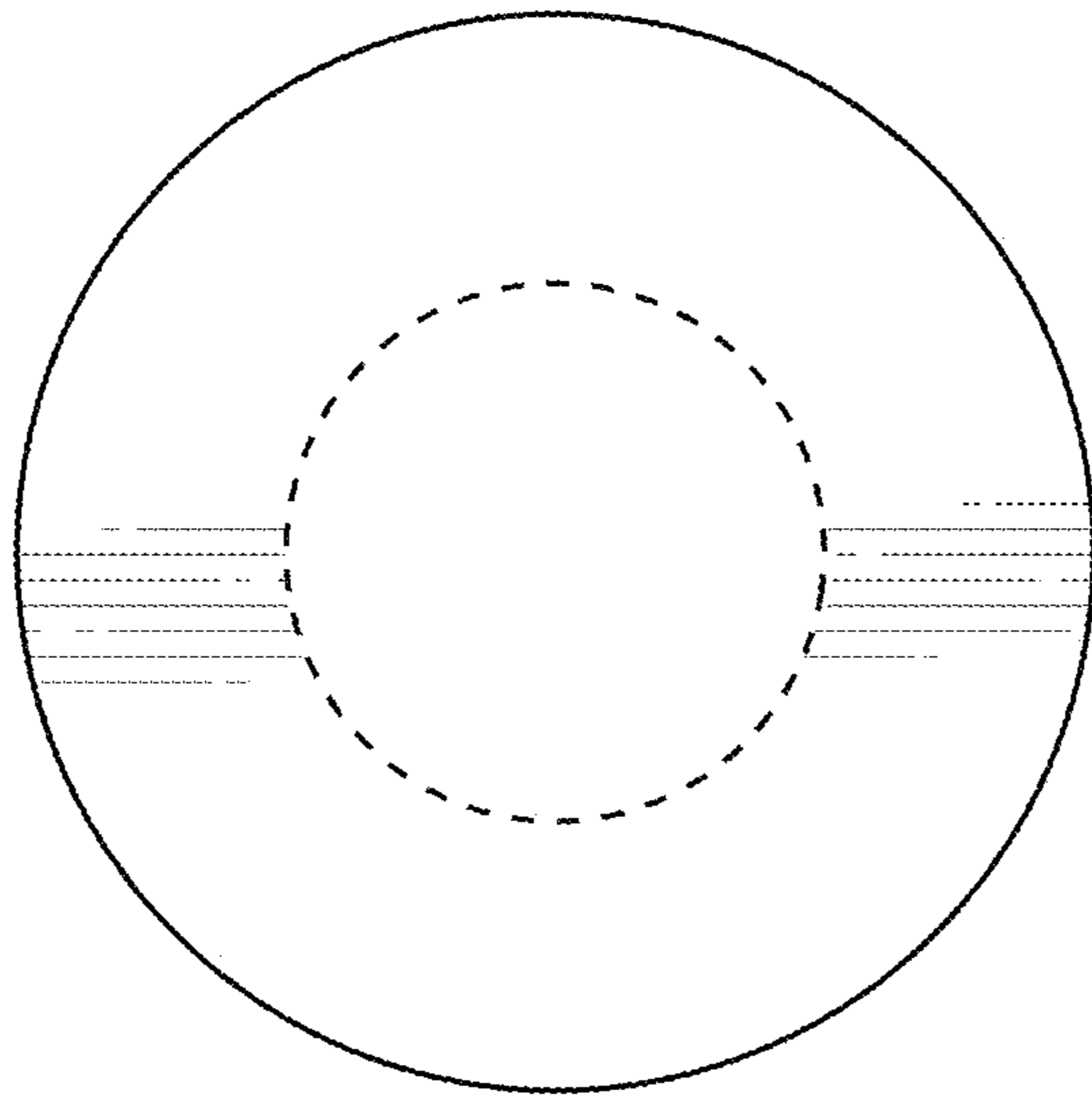


FIG. 7

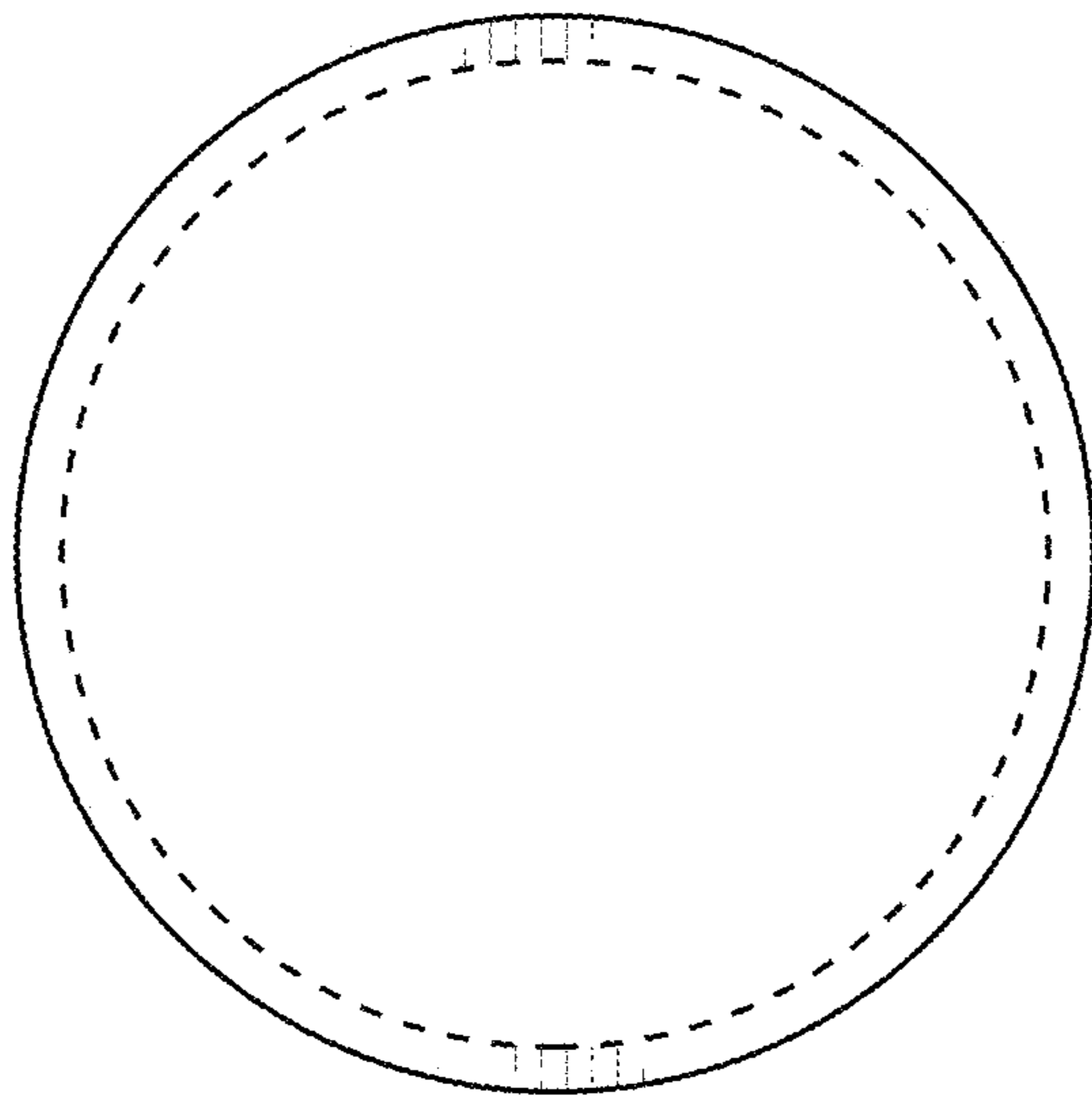


FIG. 8

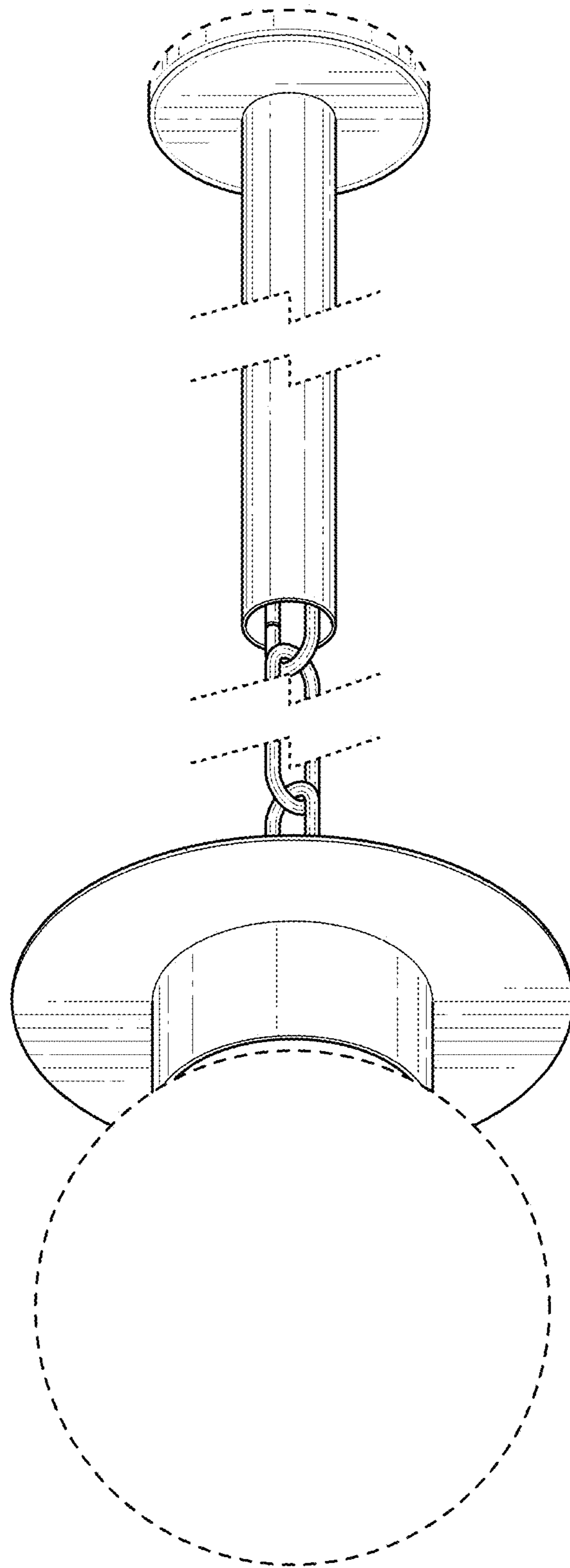


FIG. 9

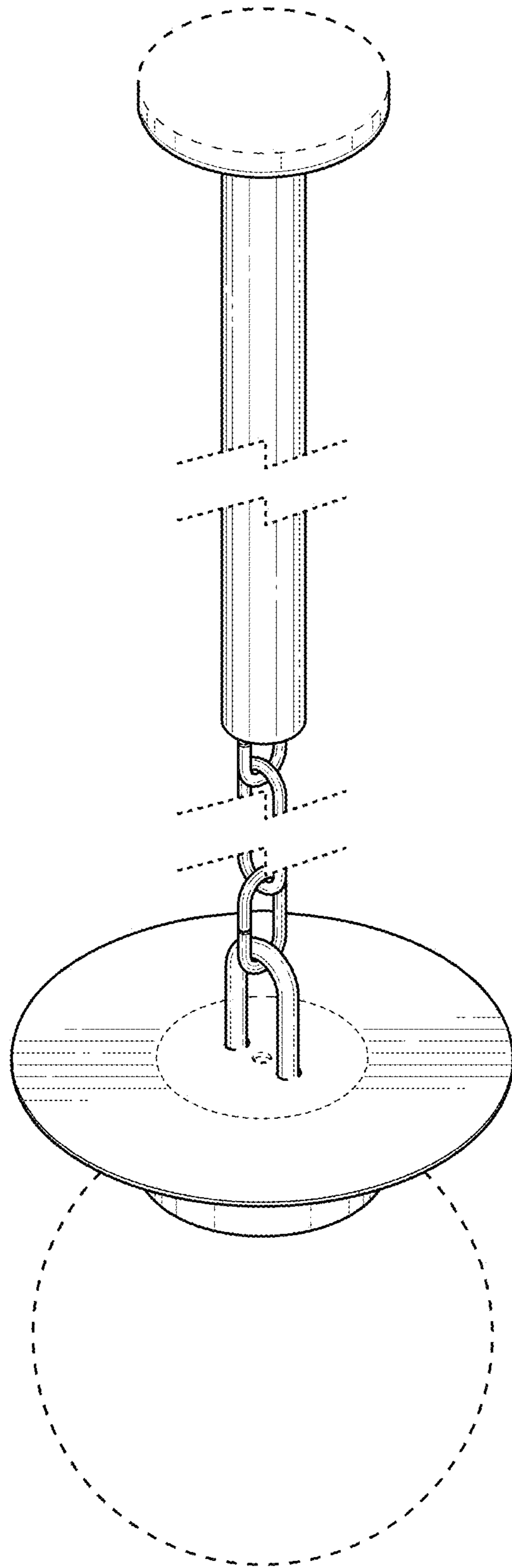


FIG. 10

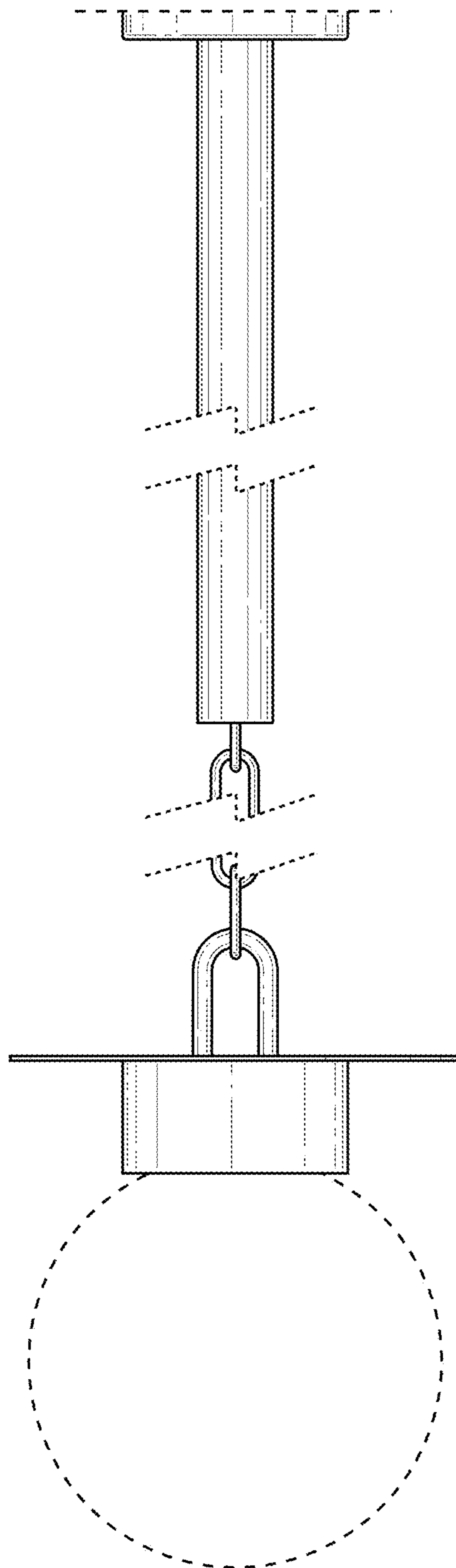


FIG. 11

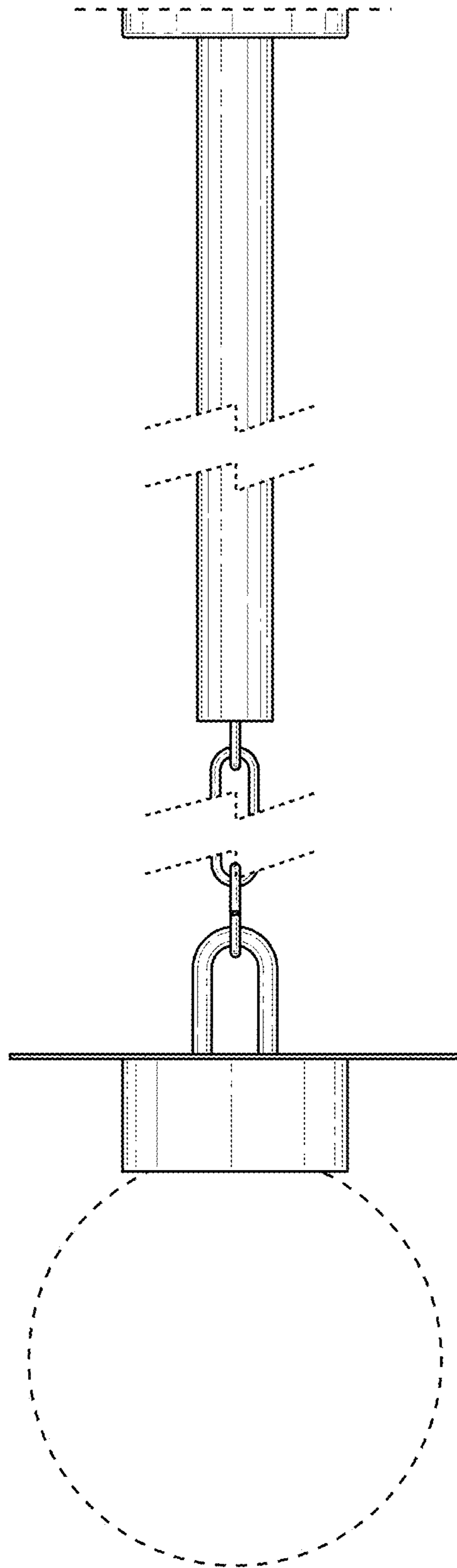


FIG. 12

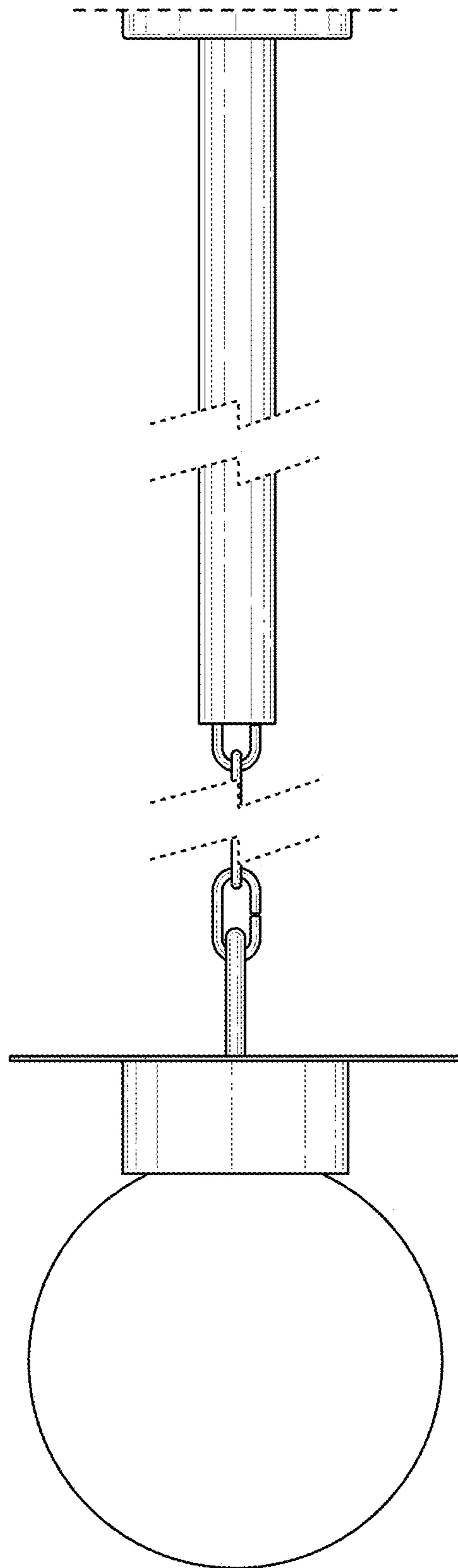


FIG. 13

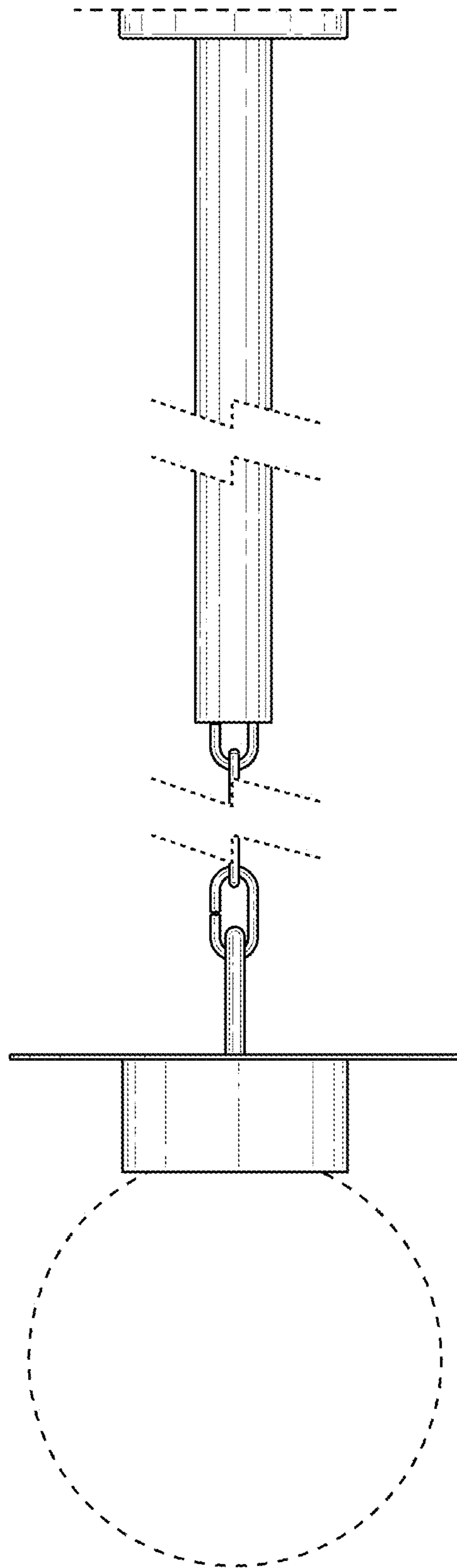


FIG. 14

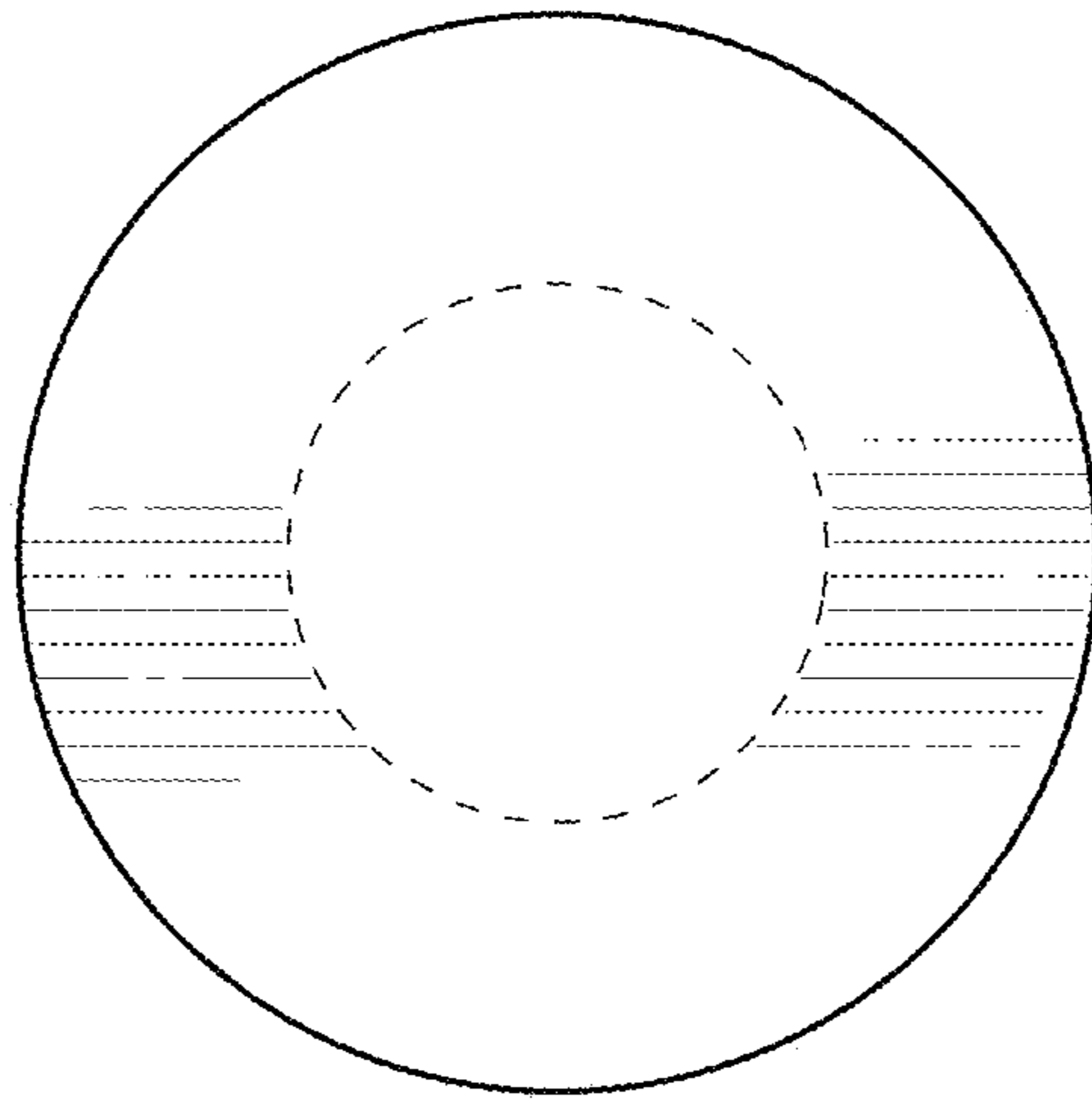


FIG. 15

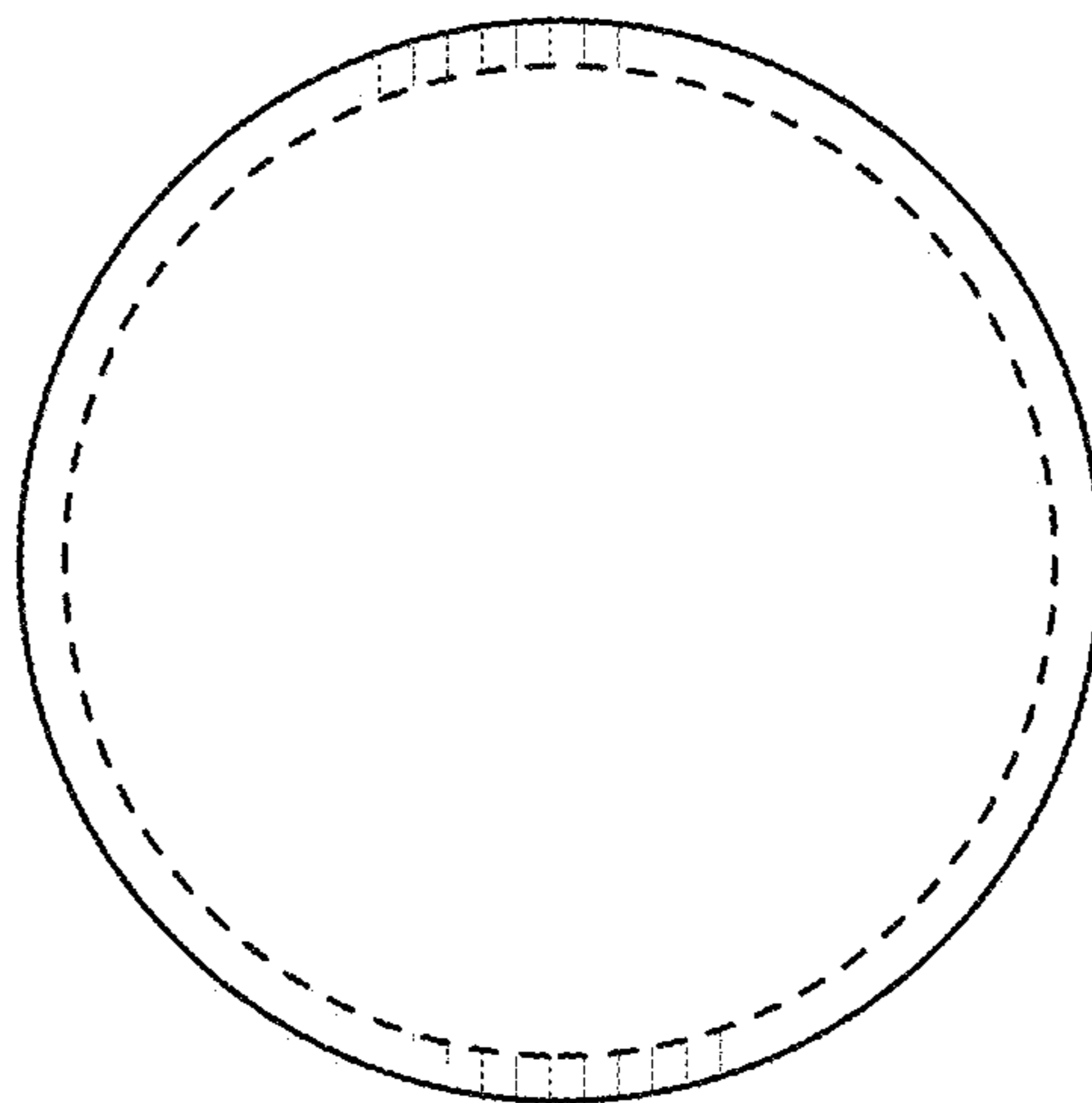


FIG. 16