



US00D922659S

(12) **United States Design Patent** (10) **Patent No.:** **US D922,659 S**  
**Amato et al.** (45) **Date of Patent:** **\*\* Jun. 15, 2021**

(54) **LIGHTING FIXTURE**

(71) Applicant: **The Urban Electric Company**, North Charleston, SC (US)

(72) Inventors: **Michael Amato**, London (GB); **David Dawson**, Charleston, SC (US); **Jonathan Charpia**, Summerville, SC (US); **Joeangel Casanova**, Brooklyn, NY (US); **Brianna Magagnoli**, North Charleston, SC (US); **Janis Golubeckis**, Mount Pleasant, SC (US)

(73) Assignee: **The Urban Electric Company**, North Charleston, SC (US)

(\*\*) Term: **15 Years**

(21) Appl. No.: **29/715,976**

(22) Filed: **Dec. 5, 2019**

(51) **LOC (13) Cl.** ..... **26-05**

(52) **U.S. Cl.**  
USPC ..... **D26/88**

(58) **Field of Classification Search**  
USPC ..... D26/80, 81, 82, 84, 86, 88, 90, 91;  
D11/43, 79, 86  
CPC .... F21S 8/04; F21S 8/043; F21S 8/046; F21S 8/06; F21S 8/061; F21S 8/063; F21S 8/065; F21S 8/066; F21S 8/068  
See application file for complete search history.

(56) **References Cited**

U.S. PATENT DOCUMENTS

- D117,789 S \* 11/1939 Kranz ..... D11/121
- D174,650 S \* 5/1955 Philippe ..... D11/43
- D253,694 S \* 12/1979 Ellis ..... D11/121
- D268,134 S \* 3/1983 Zucher ..... D26/131
- D317,214 S \* 5/1991 Porter ..... D26/129
- D441,116 S \* 4/2001 Sanoner ..... D26/68
- D482,477 S \* 11/2003 Wang ..... D26/67
- D532,144 S \* 11/2006 Bayer ..... D26/88
- D705,499 S \* 5/2014 Zamarripa ..... D30/124

- D776,561 S \* 1/2017 Richardson ..... D11/117
- D822,524 S \* 7/2018 Matsumoto ..... D11/1
- D862,761 S \* 10/2019 Li ..... D26/68
- D872,345 S \* 1/2020 Brudnizki ..... D26/91

FOREIGN PATENT DOCUMENTS

WO RGN-D057350-001 \* 10/2001

\* cited by examiner

*Primary Examiner* — Kevin K Rudzinski

*Assistant Examiner* — Richard Kearney

(74) *Attorney, Agent, or Firm* — Haynsworth Sinkler Boyd, P.A.

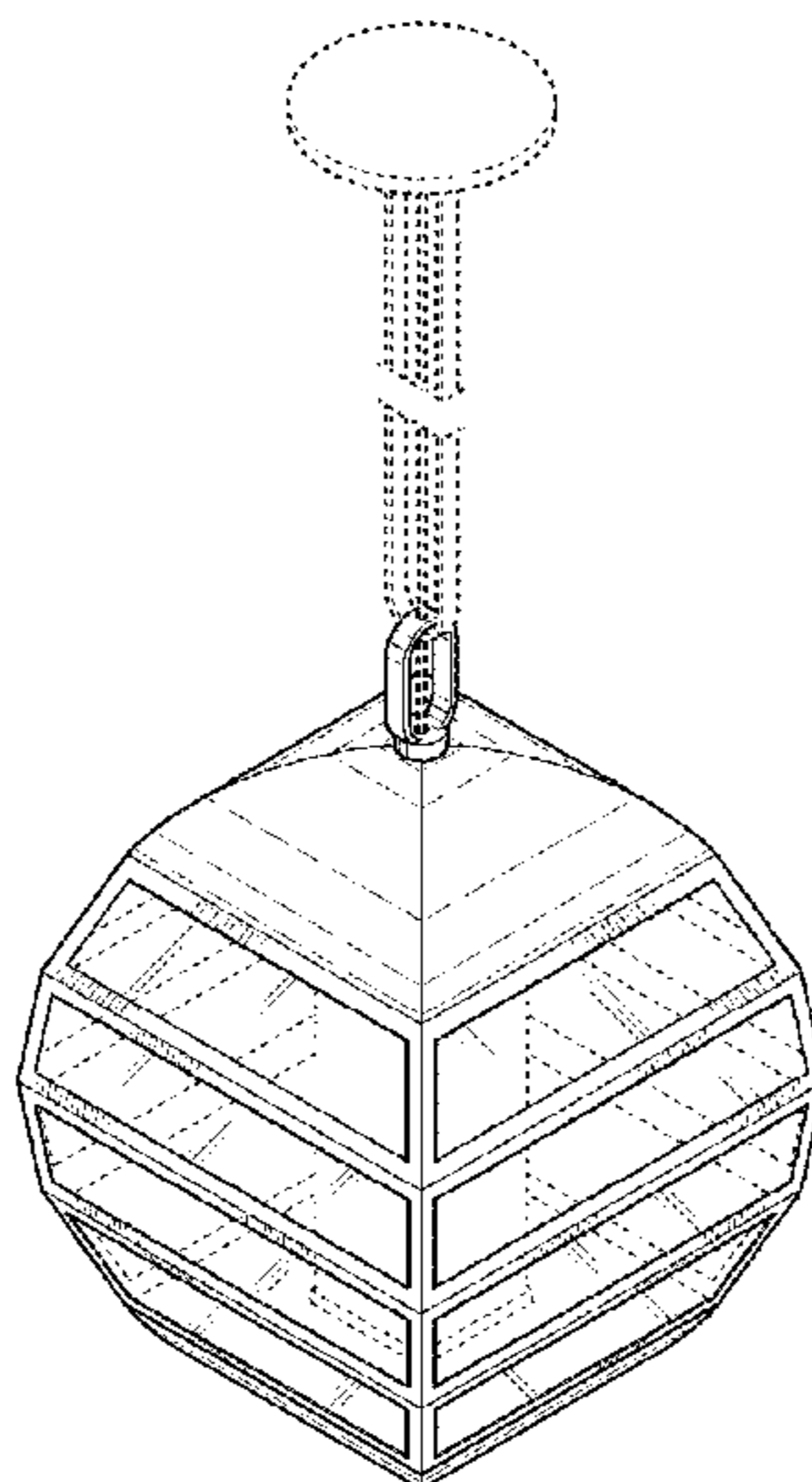
(57) **CLAIM**

The ornamental design for a lighting fixture, as shown and described.

**DESCRIPTION**

FIG. 1 is a top perspective view of a lighting fixture depicting a new design;  
 FIG. 2 is a bottom perspective view thereof;  
 FIG. 3 is a front elevational view thereof;  
 FIG. 4 is a right elevational view thereof;  
 FIG. 5 is a left elevational view thereof;  
 FIG. 6 is a back elevational view thereof;  
 FIG. 7 is a top plan view thereof; and,  
 FIG. 8 is a bottom plan view thereof;  
 FIG. 9 is a front elevational view of the lighting fixture depicting the new design and mounted using an alternative hanging arrangement.  
 The broken lines extending from the perimeter of the lighting fixtures in FIGS. 3-6 and FIG. 9 represent environment which forms no part of the claimed design. The broken lines dissecting the hanging arrangement in FIGS. 1-6 and FIG. 9 represent the fact that the hanging arrangement may vary in length. The remaining broken line disclosures in the views represent portions of the lighting fixture that form no part of the claimed design.

**1 Claim, 9 Drawing Sheets**



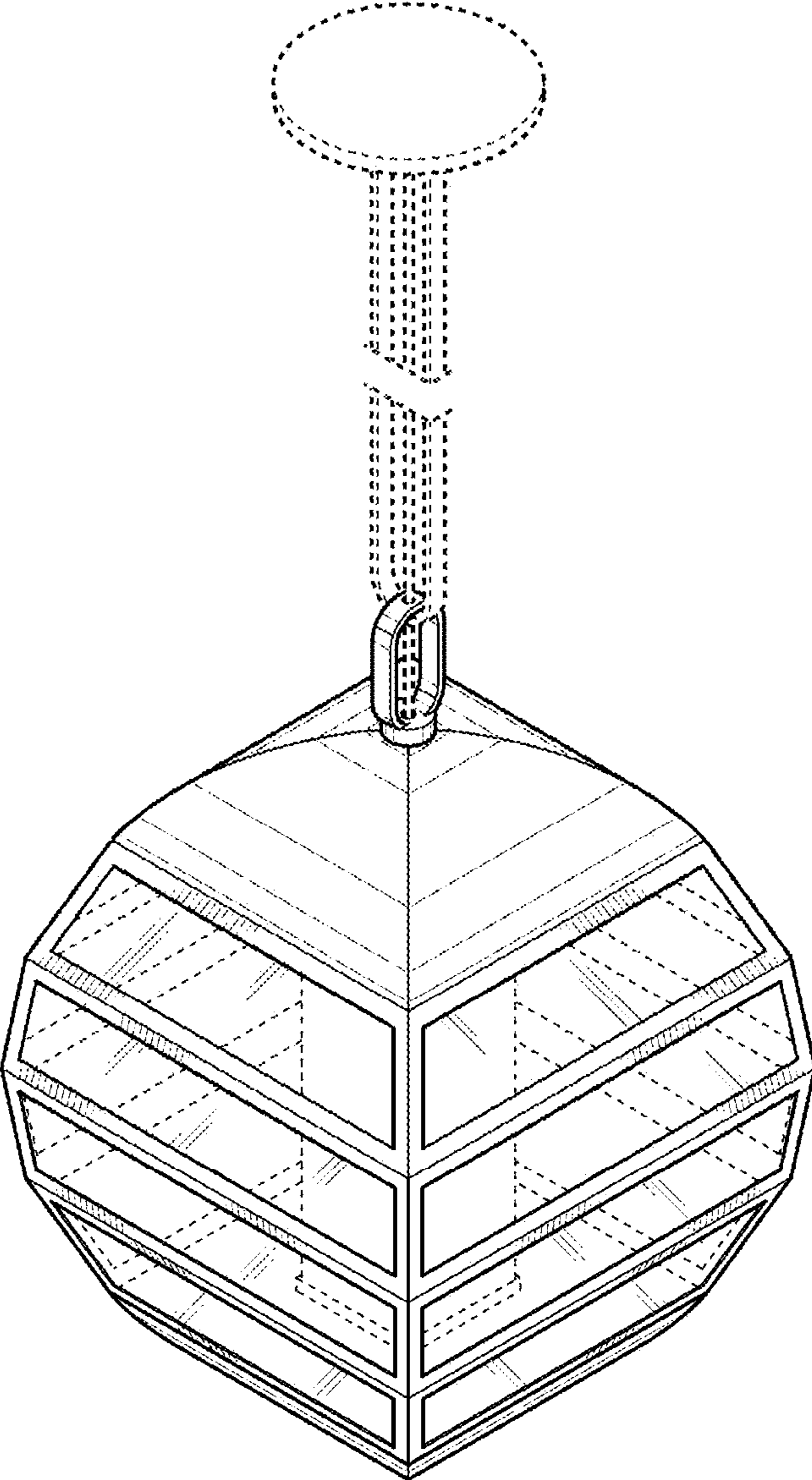


FIG. 1

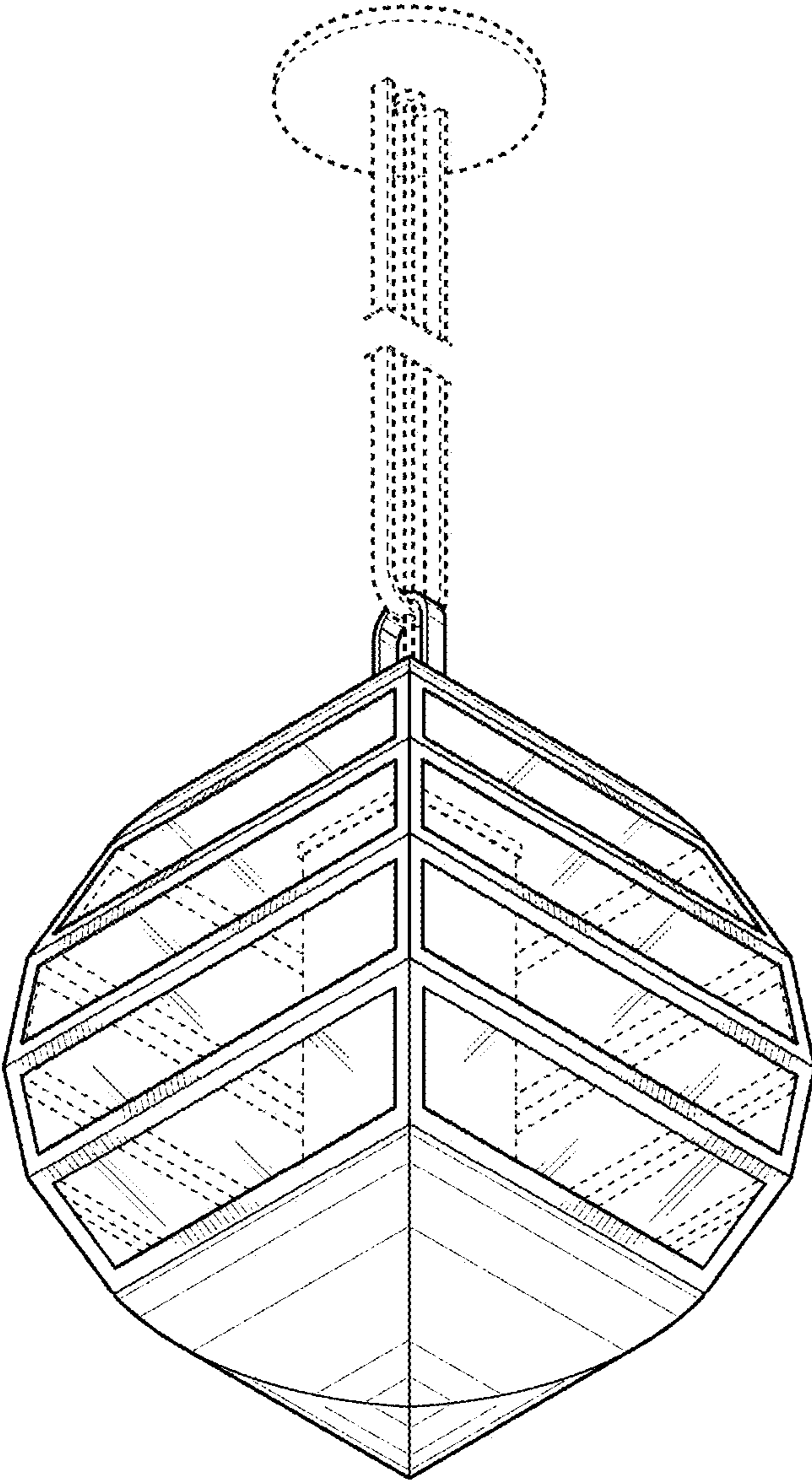


FIG. 2

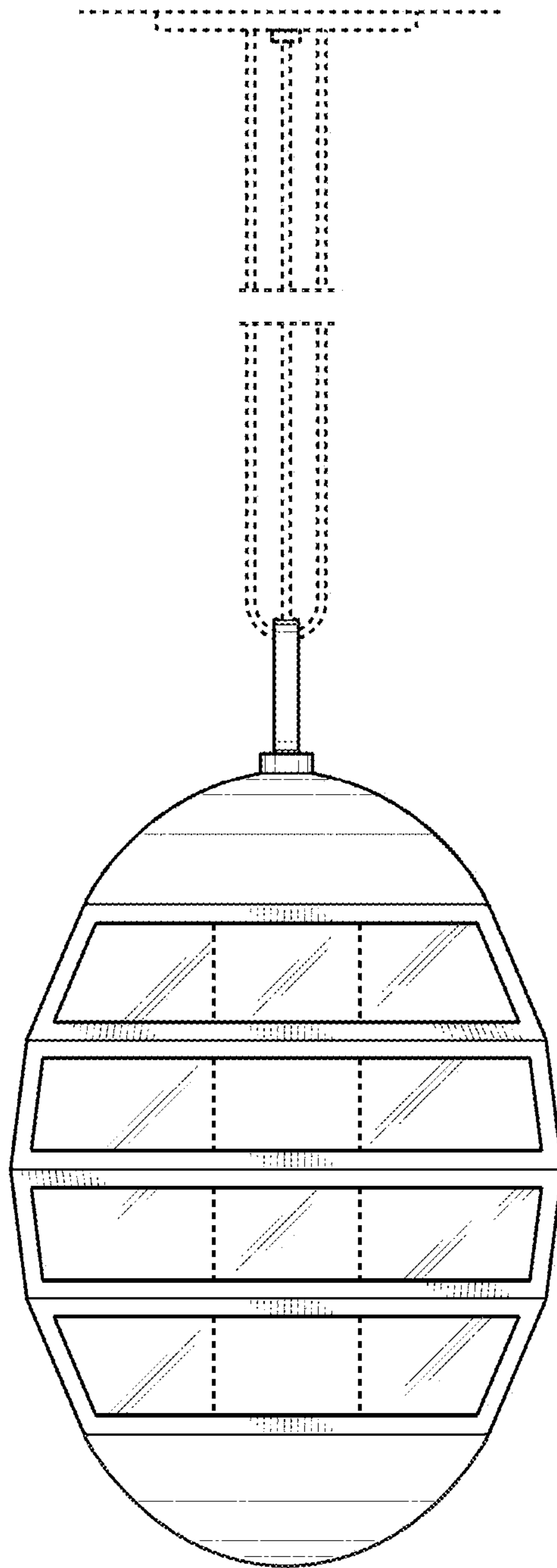


FIG. 3

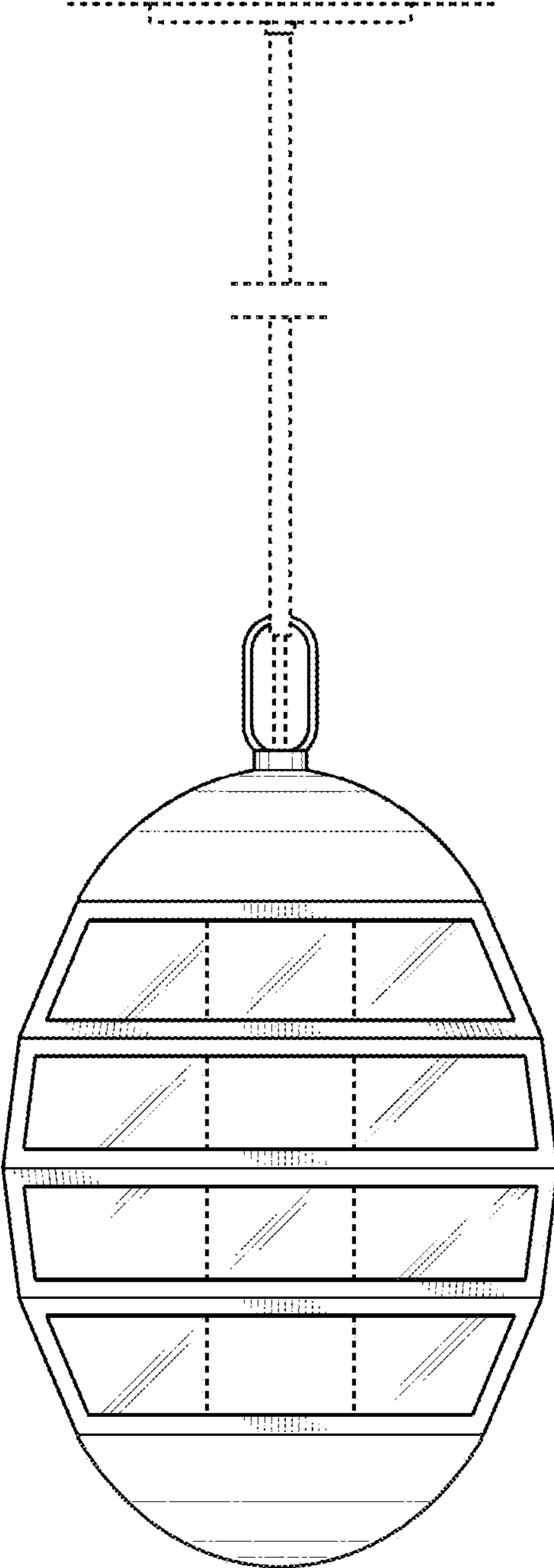


FIG. 4



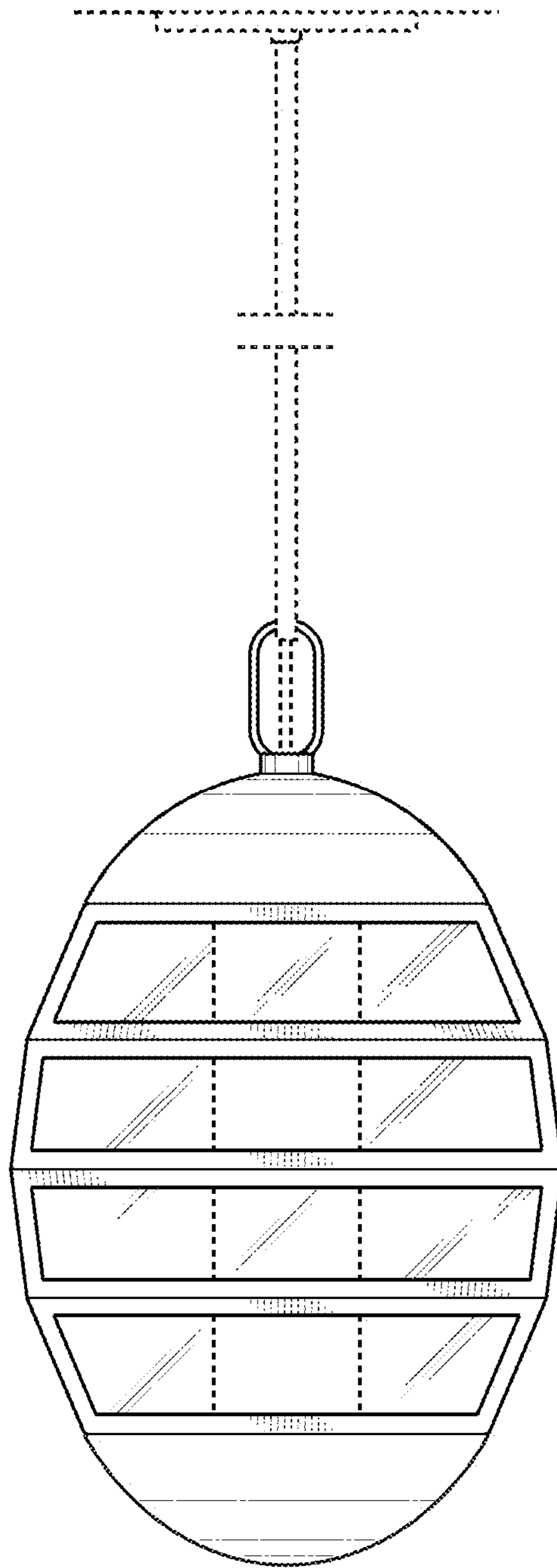


FIG. 5

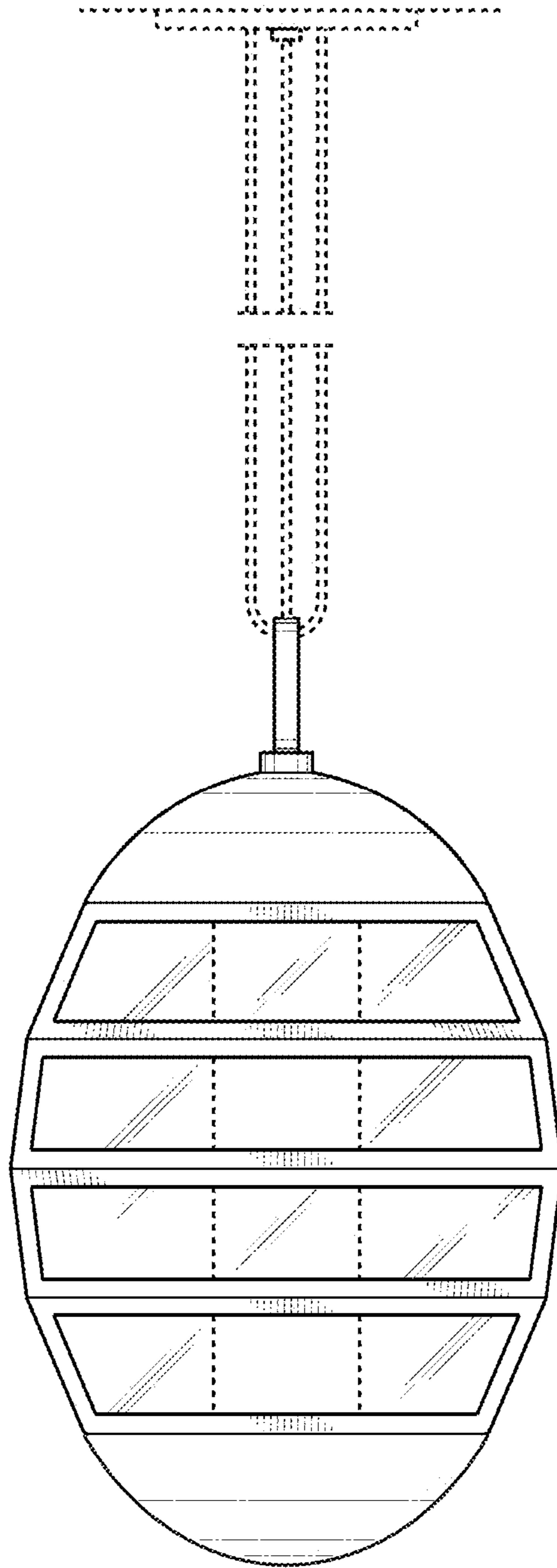
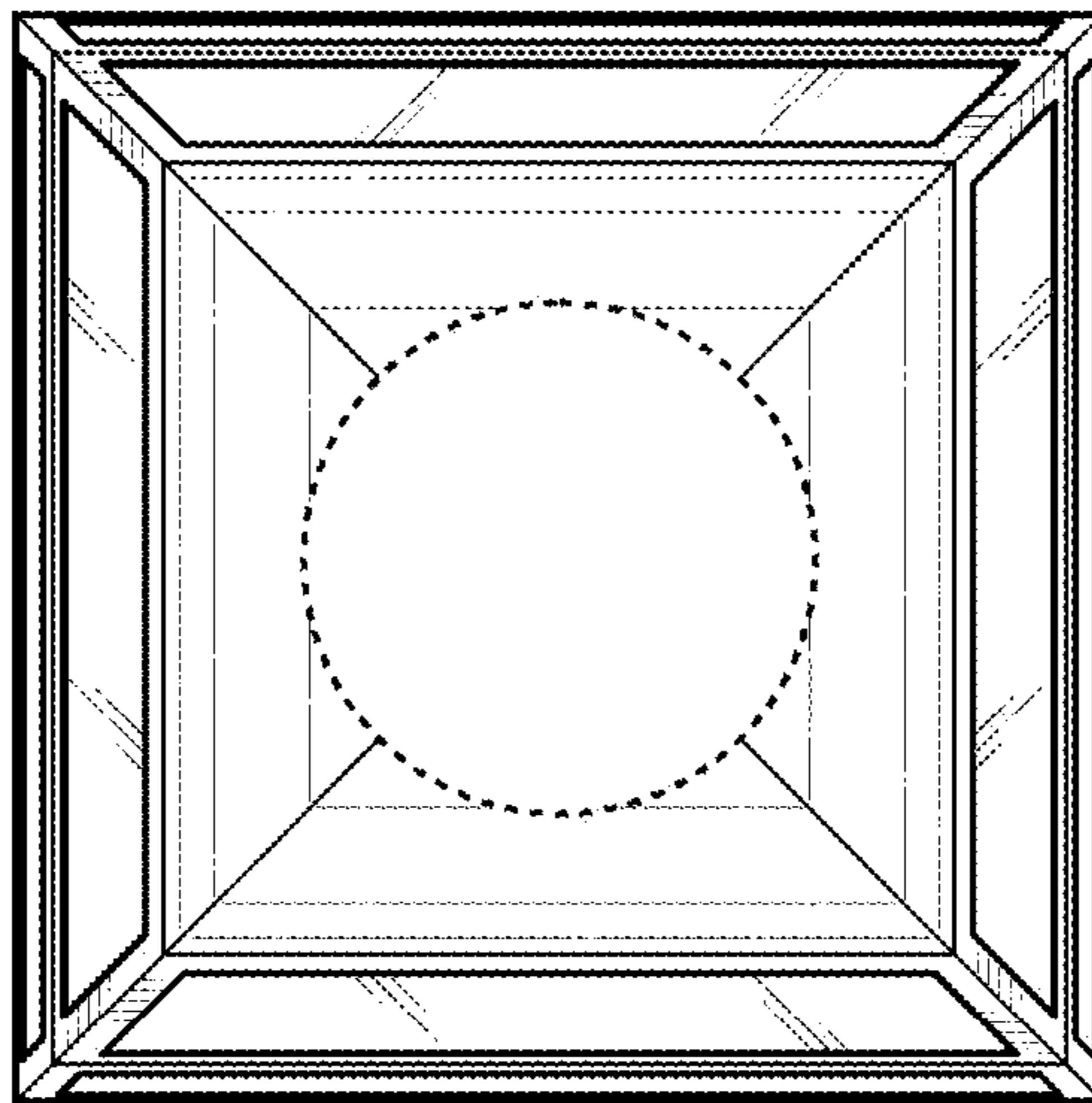
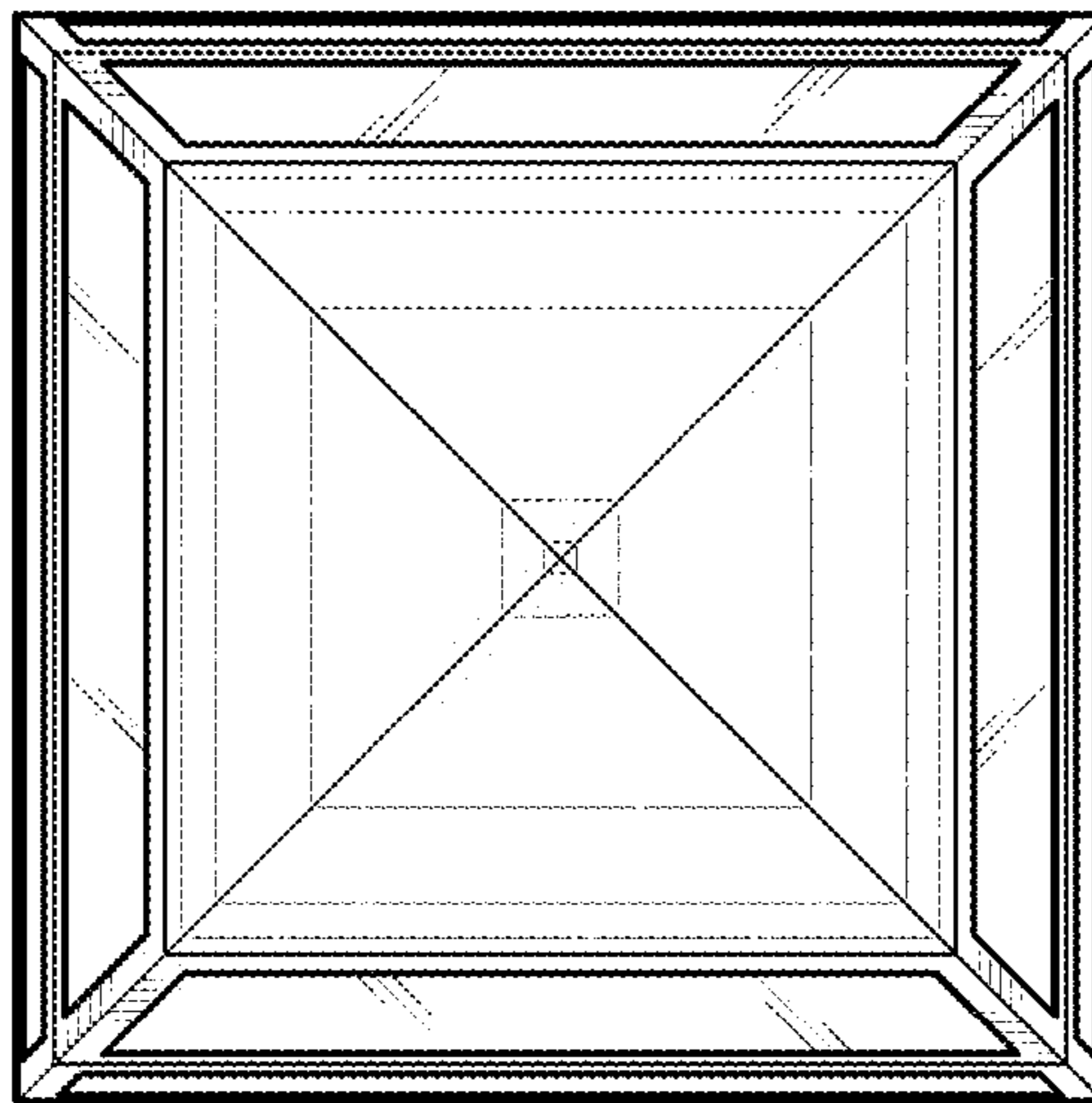


FIG. 6



**FIG. 7**





**FIG. 8**

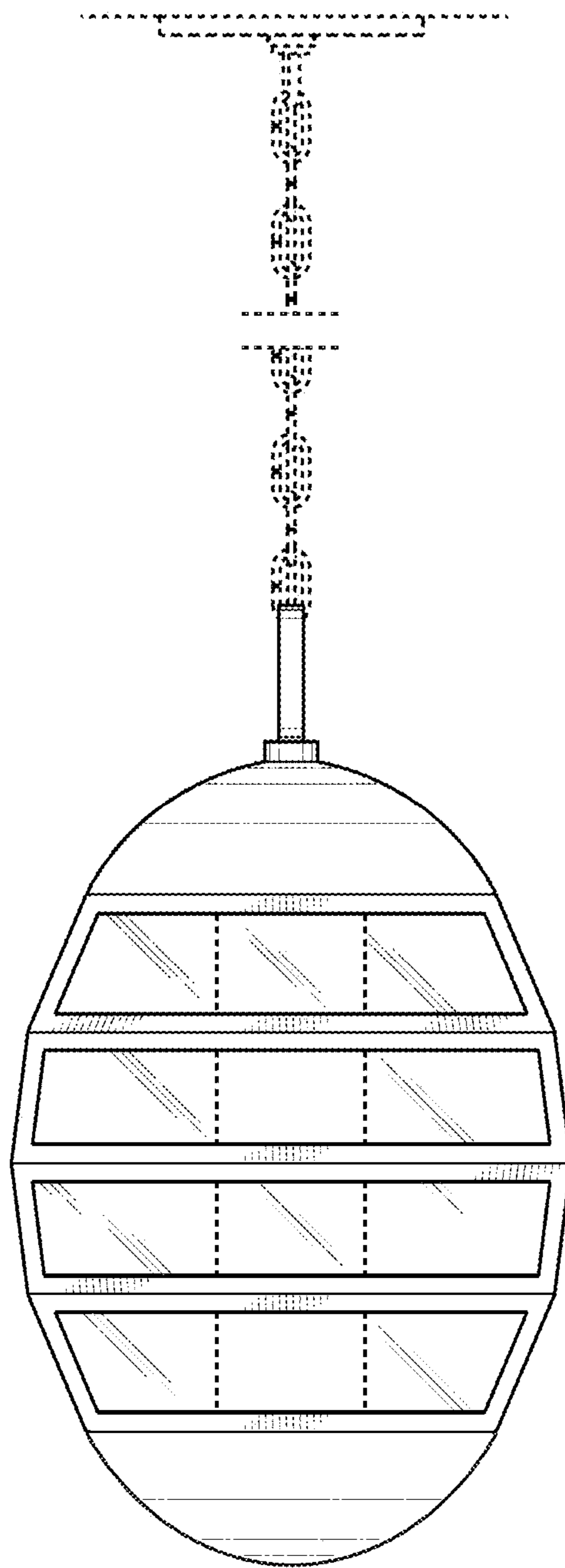


FIG. 9