



US00D922658S

(12) **United States Design Patent**
Chen

(10) **Patent No.:** **US D922,658 S**

(45) **Date of Patent:** **** Jun. 15, 2021**

(54) **LIGHTING FIXTURE**

(71) Applicant: **Chanzhen Chen**, Guangdong (CN)

(72) Inventor: **Chanzhen Chen**, Guangdong (CN)

(**) Term: **15 Years**

(21) Appl. No.: **29/754,572**

(22) Filed: **Oct. 13, 2020**

(51) **LOC (13) Cl.** **26-03**

(52) **U.S. Cl.**
USPC **D26/87**; D26/86

(58) **Field of Classification Search**
USPC D26/72, 85-87, 92
CPC F21S 8/03; F21S 8/035; F21S 8/036; F21S
8/046
See application file for complete search history.

(56) **References Cited**

U.S. PATENT DOCUMENTS

D381,106 S *	7/1997	Brohard	D26/67
D574,992 S *	8/2008	Citterio	D26/87
D576,339 S *	9/2008	Porter	D26/80
D818,625 S *	5/2018	Hohaus	D26/72
D822,233 S	7/2018	Wang et al.		
D845,534 S *	4/2019	Van Duysen	D26/87
D854,221 S *	7/2019	Hecht	D26/87

D854,730 S *	7/2019	Hecht	D26/87
D879,354 S *	3/2020	Lin	D26/87
D887,614 S *	6/2020	Lin	D26/85
D887,617 S *	6/2020	Wang	D26/87
D907,275 S *	1/2021	Chen	D26/86

OTHER PUBLICATIONS

Eurofase 20380-021 Geos Opal White Glass Cylinder Bath Vanity Wall Mount, available at amazon.com Mar. 11, 2011. (Year: 2011).*

* cited by examiner

Primary Examiner — Clare E Heflin

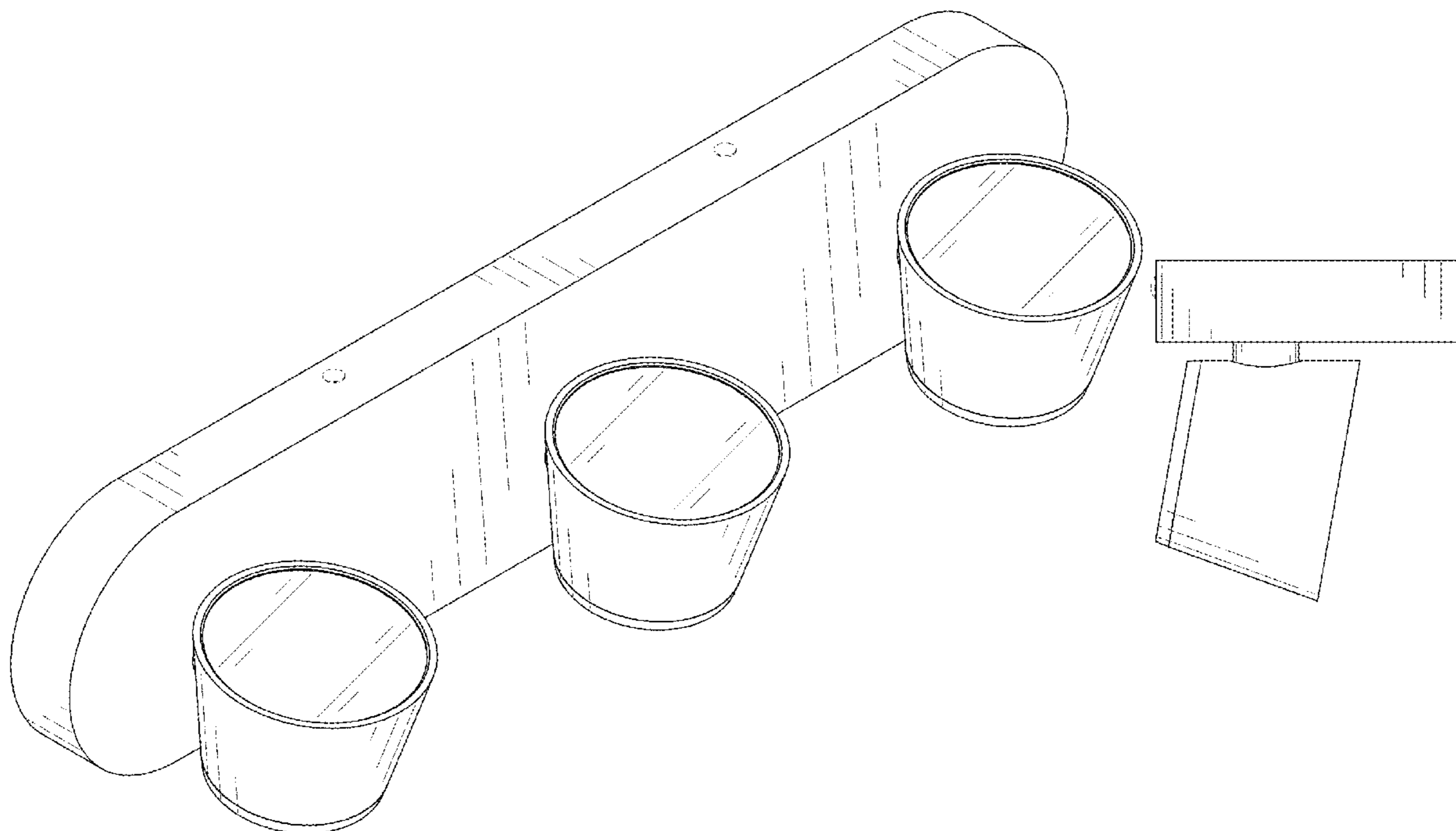
(57) **CLAIM**

The ornamental design for a lighting fixture, as shown and described.

DESCRIPTION

FIG. 1 is a rear, bottom perspective view of the lighting fixture showing my new design;
FIG. 2 is a front, top perspective view thereof;
FIG. 3 is a top plan view thereof;
FIG. 4 is a bottom plan view thereof;
FIG. 5 is a left side elevation view thereof;
FIG. 6 is a right side elevation view thereof;
FIG. 7 is a rear elevation view thereof; and,
FIG. 8 is a front elevation view thereof.
The broken lines in the figures illustrate portions of the article that form no part of the claimed design.

1 Claim, 8 Drawing Sheets



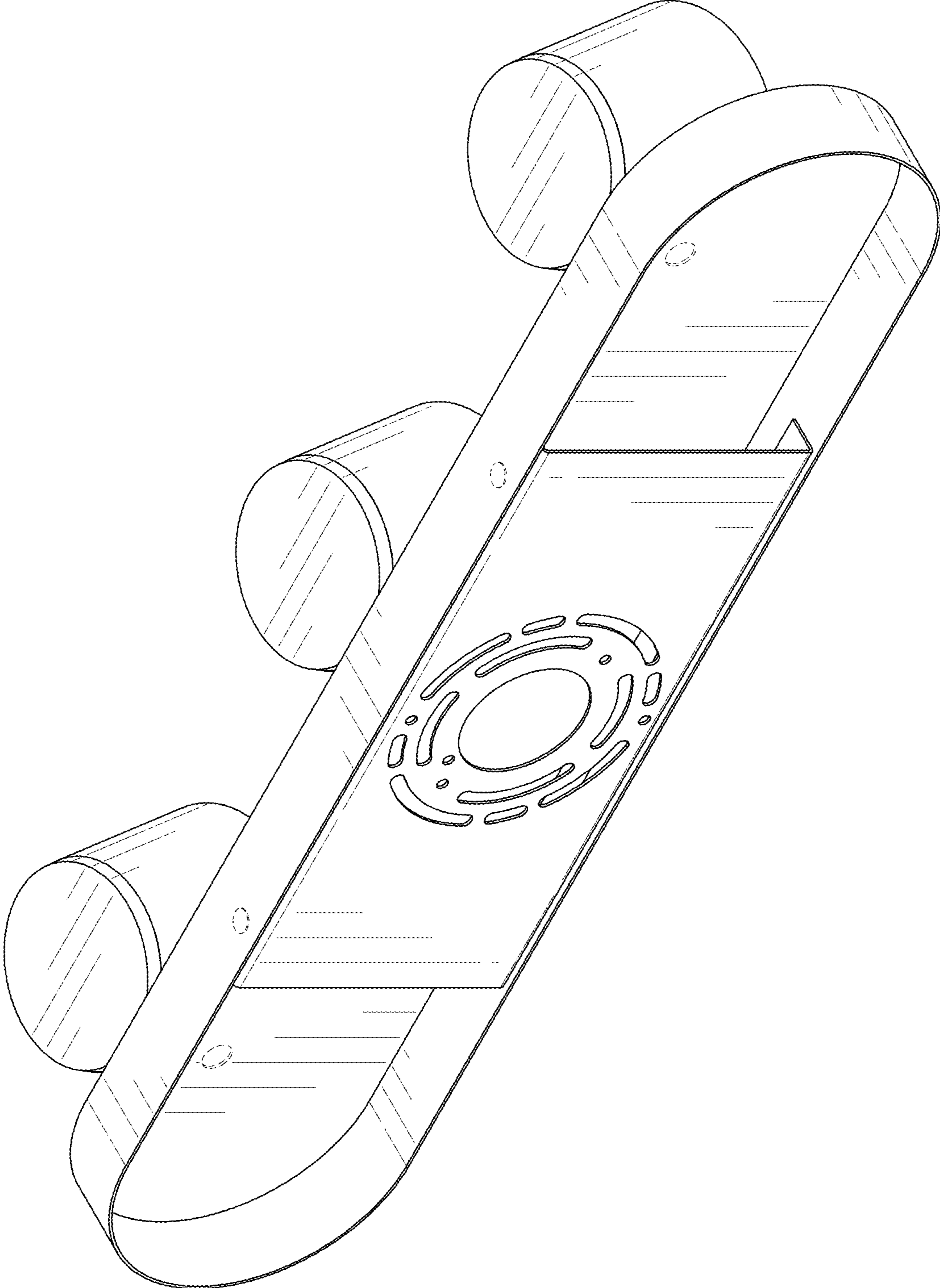


FIG. 1

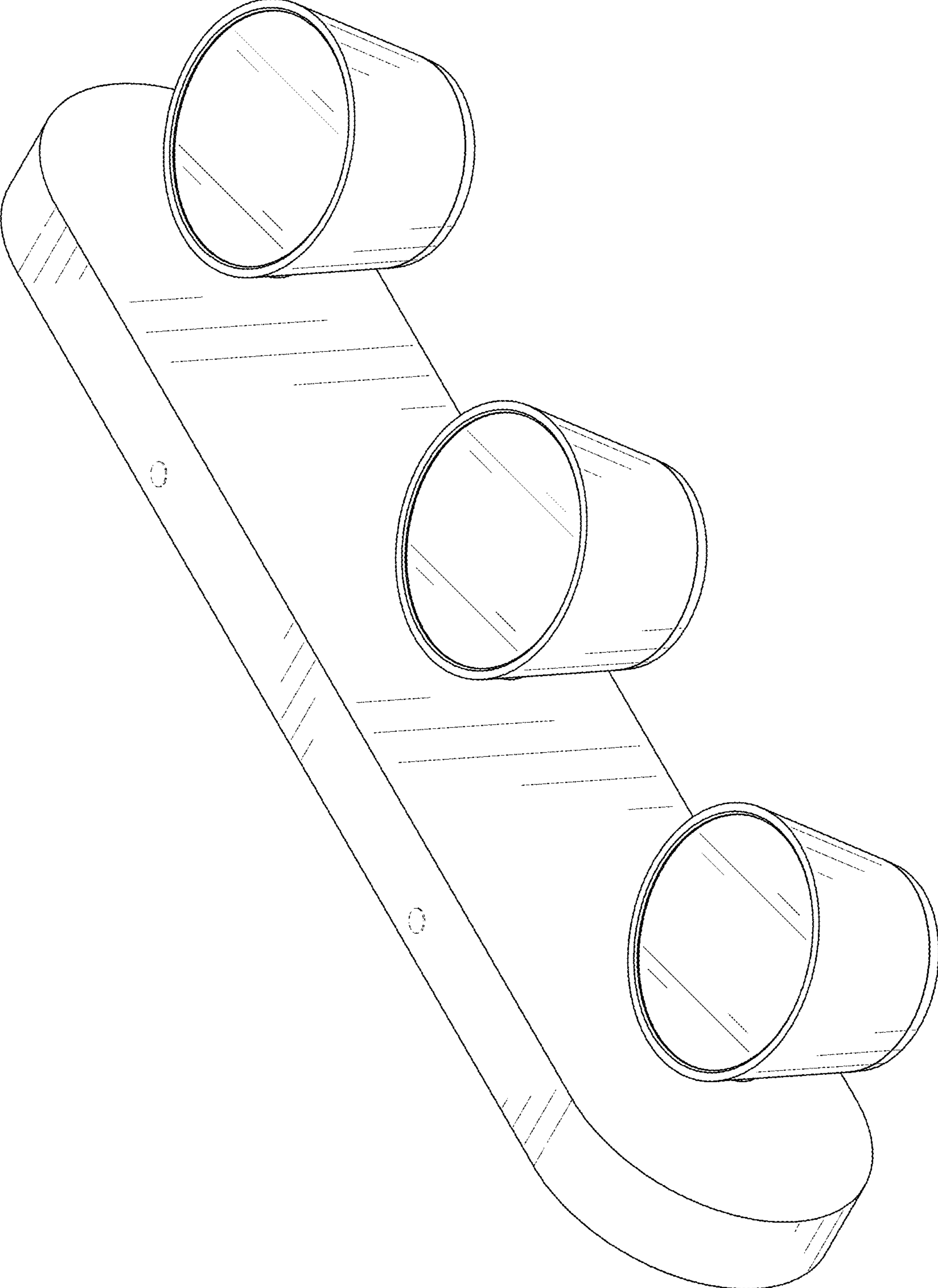


FIG. 2

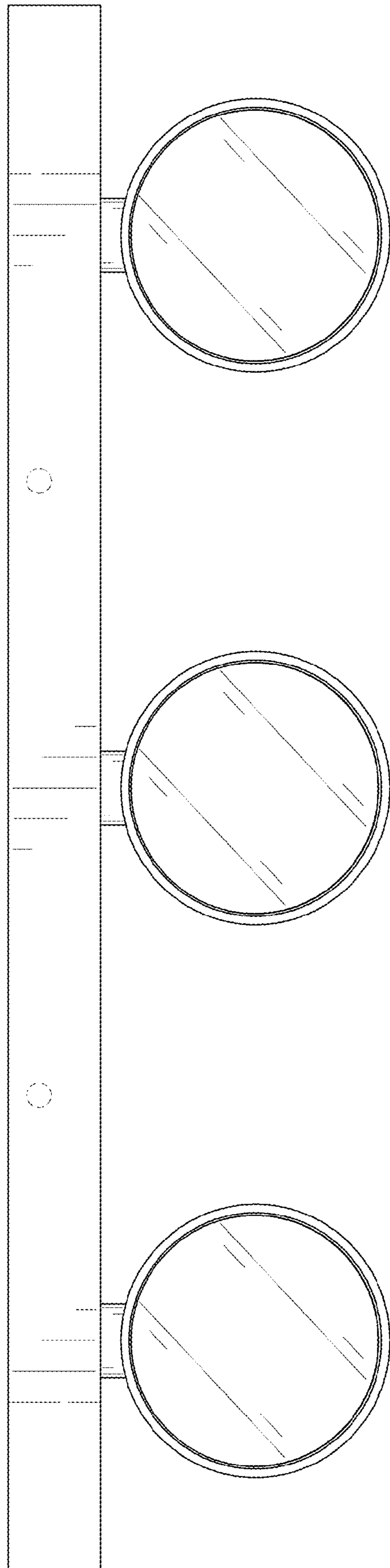


FIG. 3

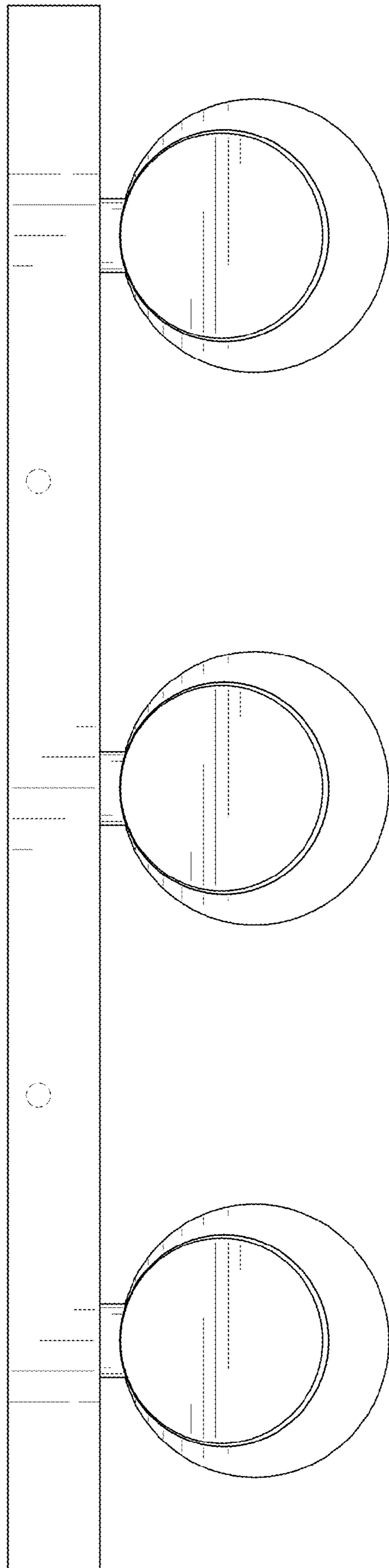


FIG. 4

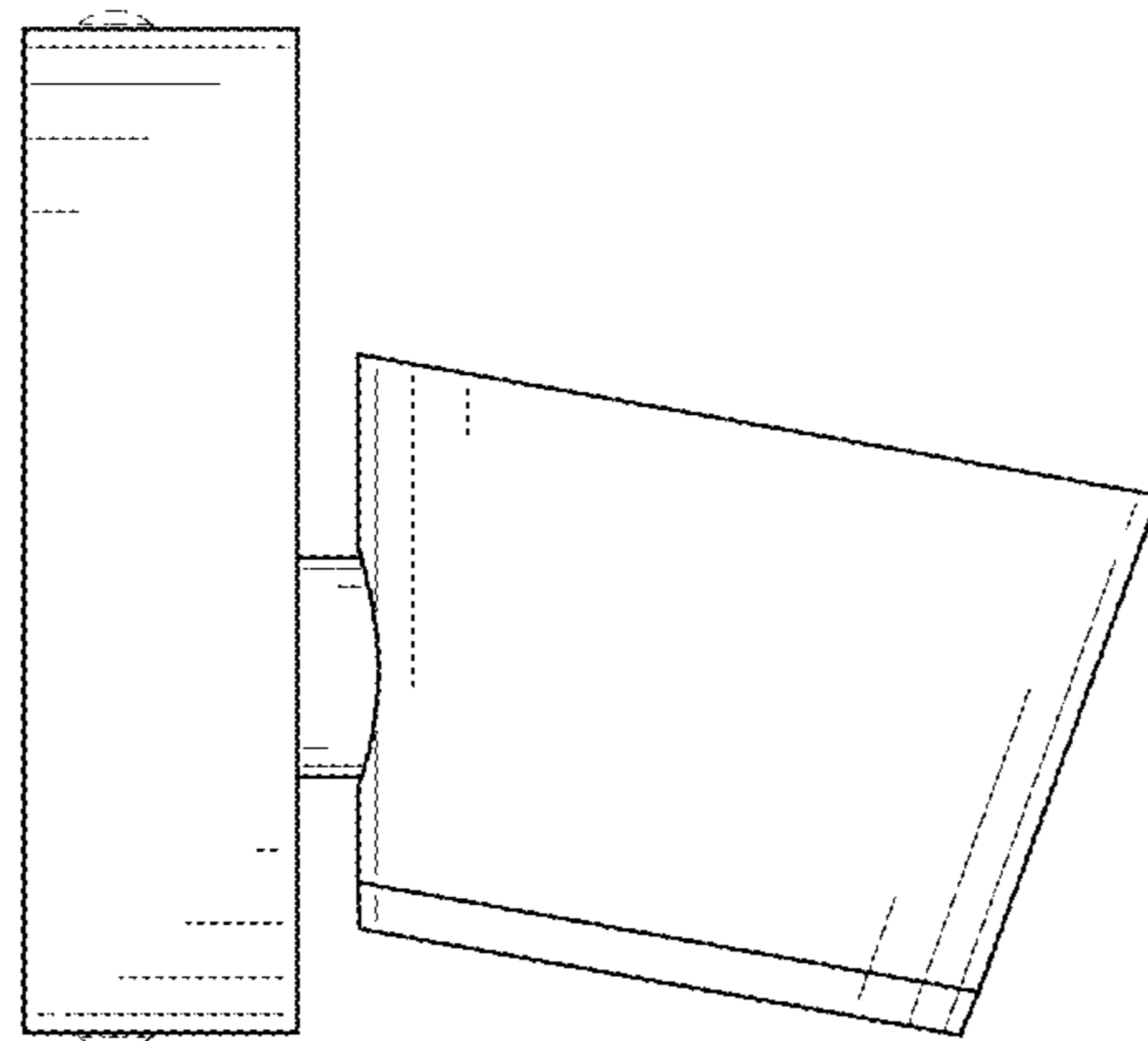


FIG. 5

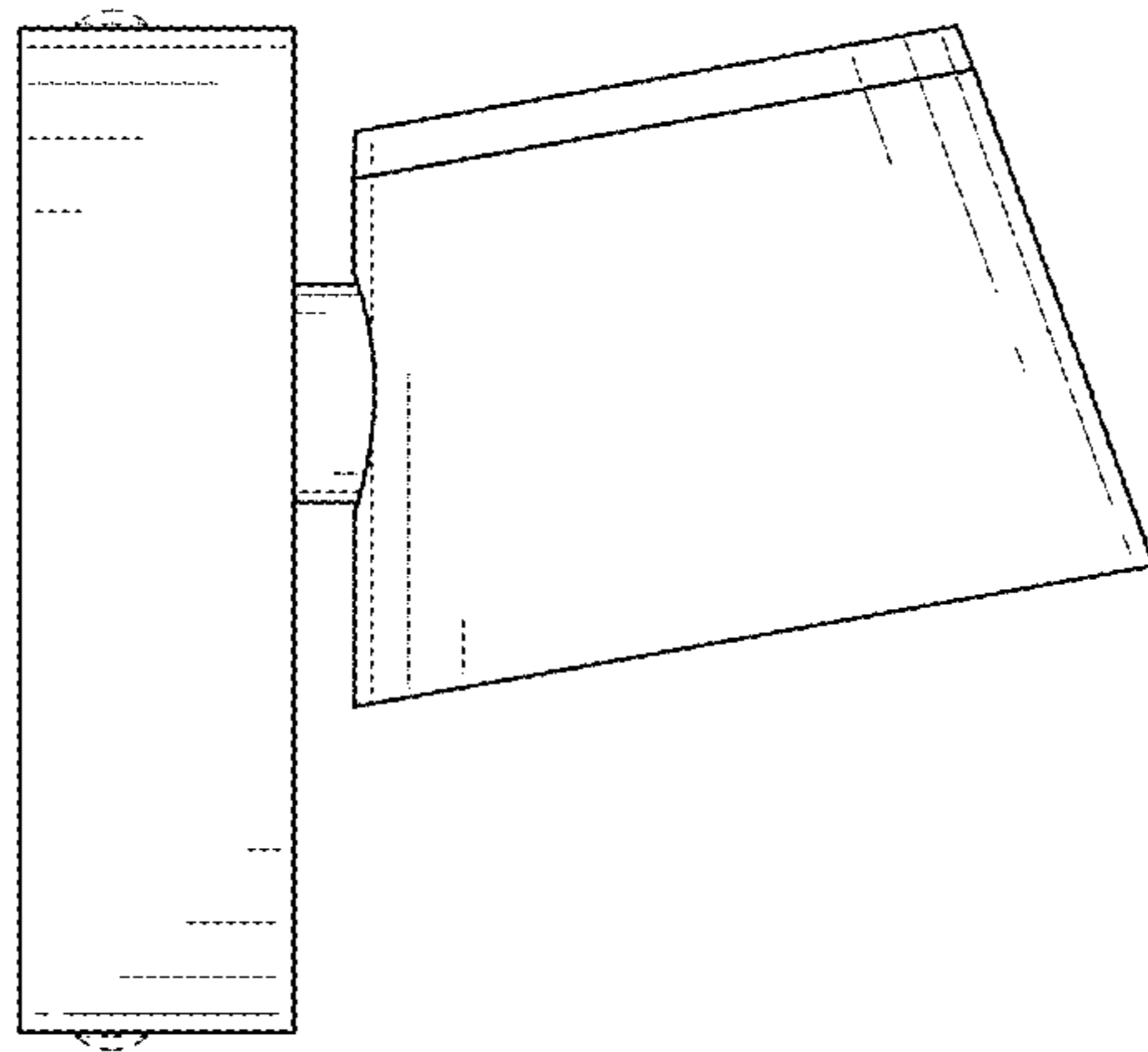


FIG. 6

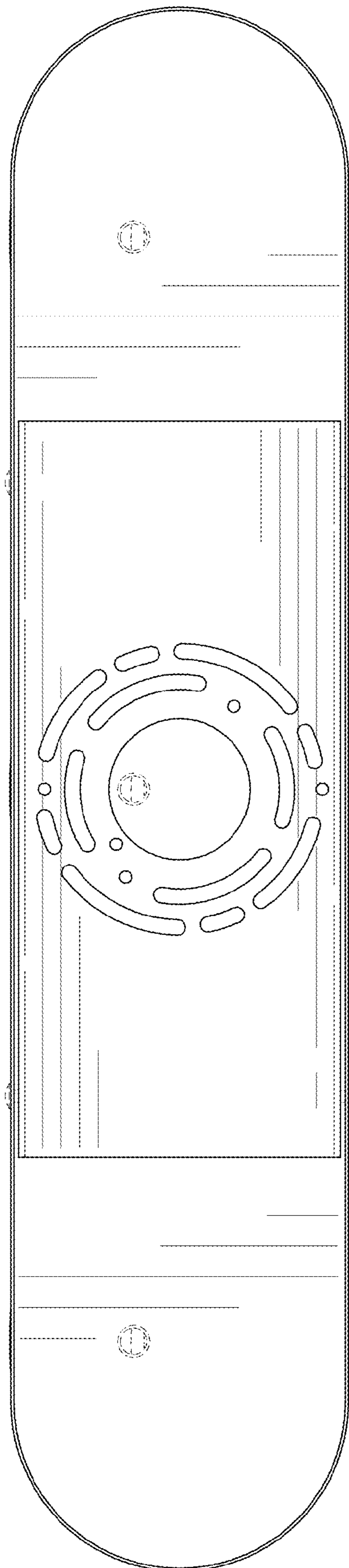


FIG. 7

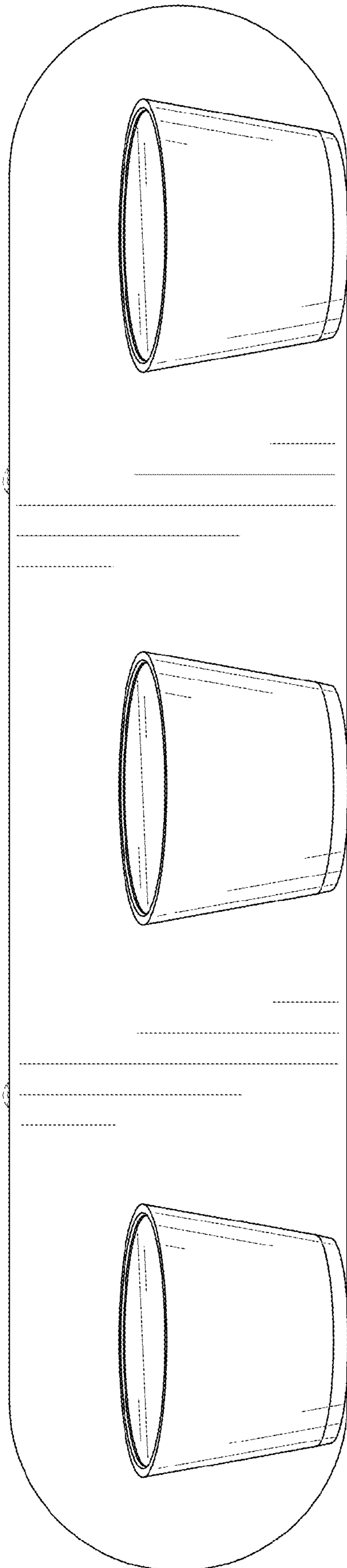


FIG. 8