



US00D922657S

(12) **United States Design Patent**
Zheng

(10) **Patent No.:** **US D922,657 S**

(45) **Date of Patent:** **** Jun. 15, 2021**

(54) **WALL SCONCE**

(71) Applicant: **Nan Zheng**, Shenzhen (CN)

(72) Inventor: **Nan Zheng**, Shenzhen (CN)

(**) Term: **15 Years**

(21) Appl. No.: **29/744,053**

(22) Filed: **Jul. 27, 2020**

(51) **LOC (13) Cl.** **26-03**

(52) **U.S. Cl.**
USPC **D26/86; D26/87**

(58) **Field of Classification Search**
USPC D26/80, 85-87, 92
CPC F21S 8/03; F21S 8/035; F21S 8/036
See application file for complete search history.

(56) **References Cited**

U.S. PATENT DOCUMENTS

D95,917 S *	6/1935	Mccann	D26/86
D501,572 S *	2/2005	Lee	D26/80
D536,471 S *	2/2007	Matons	D26/87
D537,554 S *	2/2007	De'Armond	D26/87
D564,693 S *	3/2008	Ziliani	D26/85
D588,295 S *	3/2009	Schonbek	D26/128
D816,881 S *	5/2018	Qiao	D26/86
D869,730 S	12/2019	Lin	

D879,354 S *	3/2020	Lin	D26/87
D882,149 S *	4/2020	Lin	D26/87
D887,617 S *	6/2020	Wang	D26/87
D888,316 S *	6/2020	Huang	D26/86

OTHER PUBLICATIONS

Aipsun Crystal Bathroom Vanity Light available at amazon.com
May 22, 2020. (Year: 2020).*

* cited by examiner

Primary Examiner — Clare E Hefflin

(74) *Attorney, Agent, or Firm* — Justin Lampel

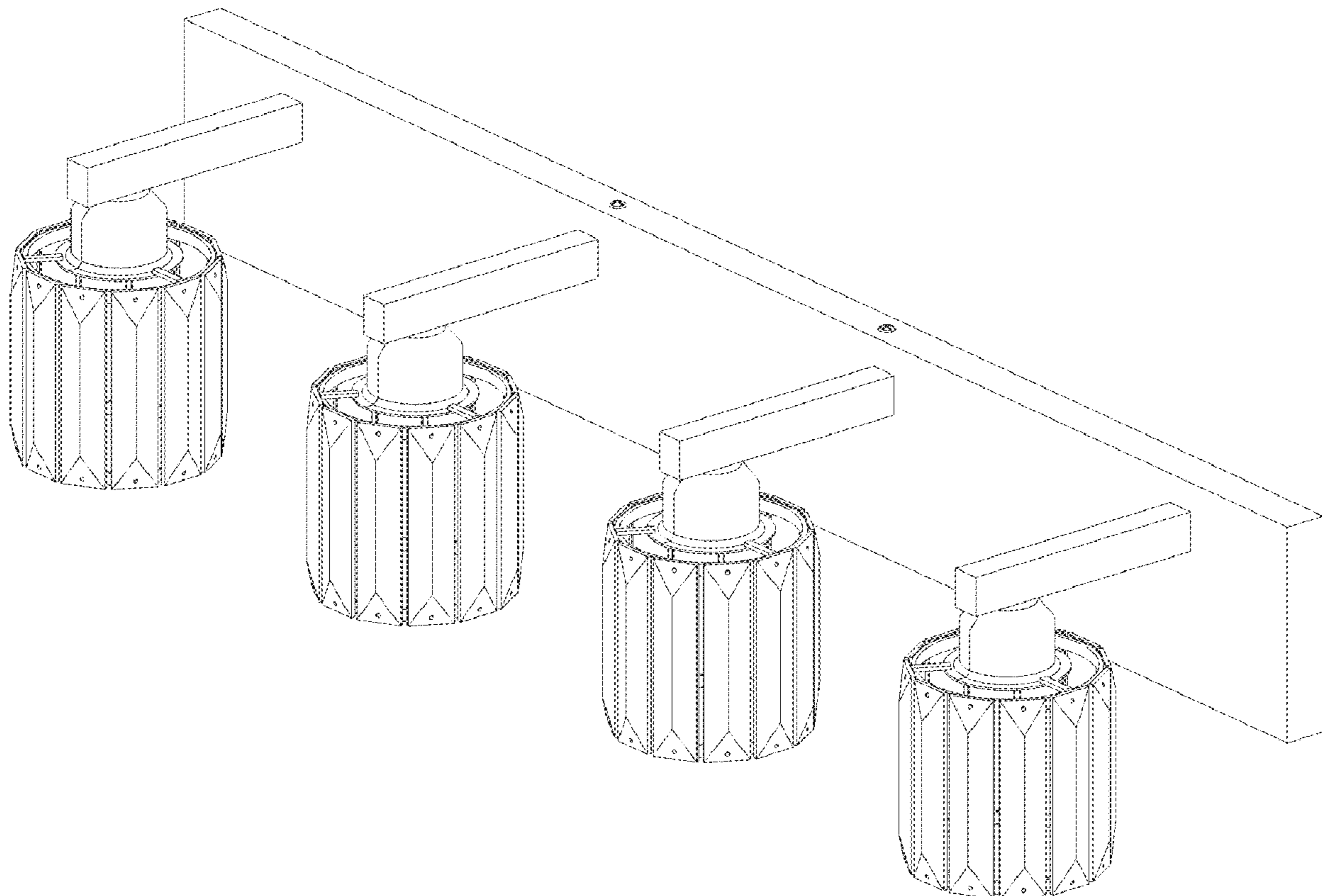
(57) **CLAIM**

The ornamental design for a wall sconce, as shown and described.

DESCRIPTION

FIG. 1 is a perspective view of a wall sconce showing the claimed design;
FIG. 2 is a top plan view thereof;
FIG. 3 is a left side elevational view thereof;
FIG. 4 is a front elevational view thereof;
FIG. 5 is a right side elevational view thereof;
FIG. 6 is a rear elevational view thereof; and,
FIG. 7 is a bottom plan view thereof.
The broken lines illustrate portions of the wall sconce that form no part of the claimed design.

1 Claim, 7 Drawing Sheets



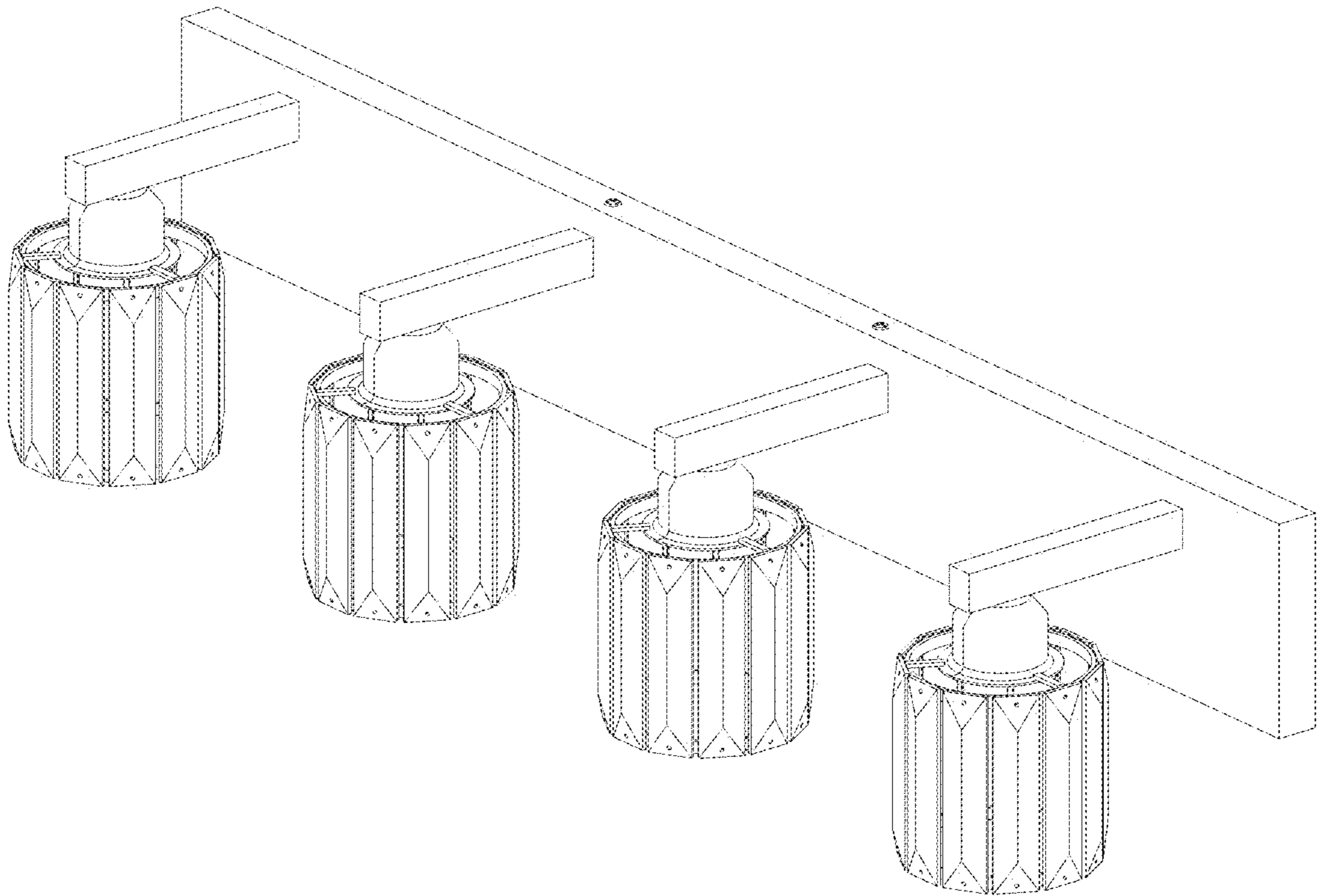


FIG.1

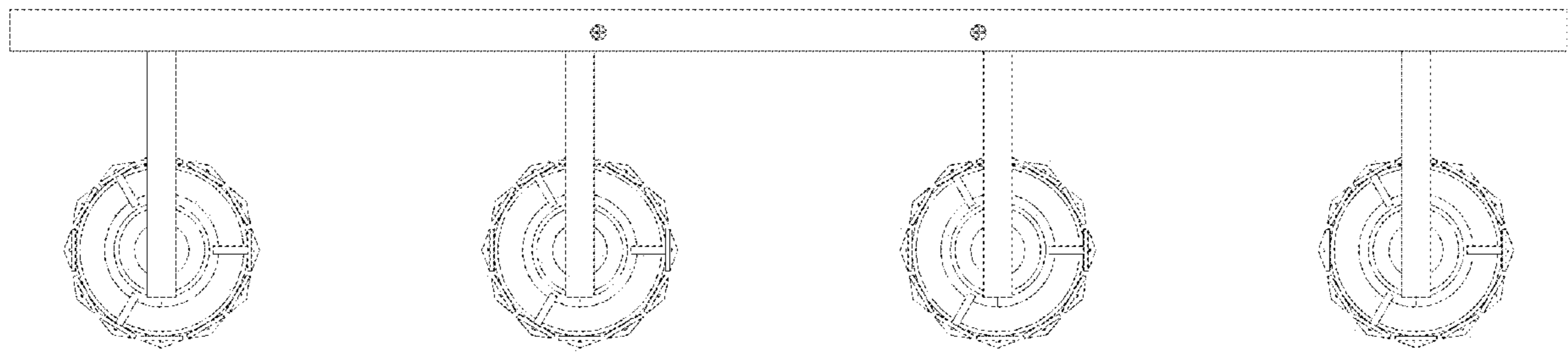


FIG. 2

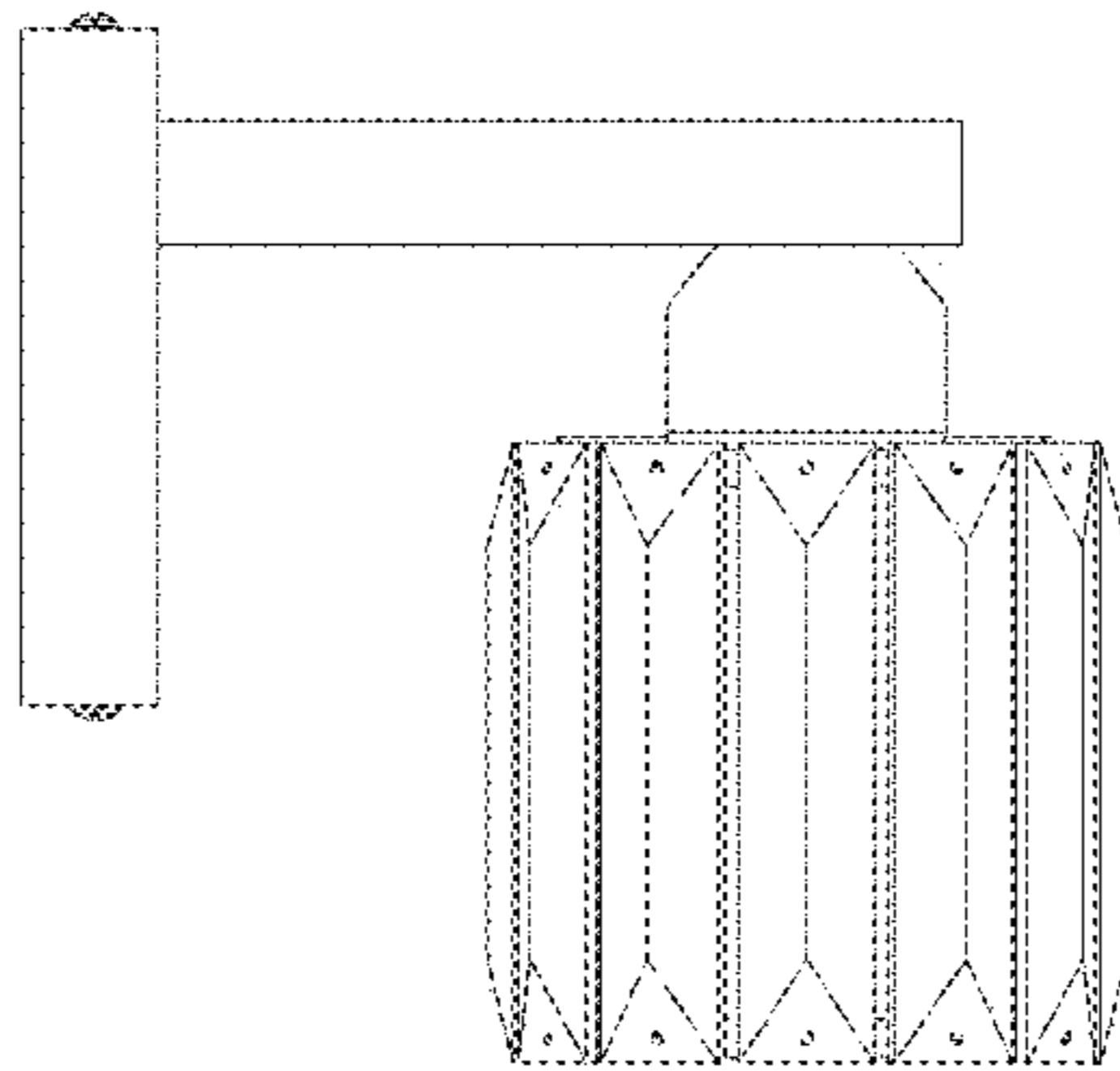


FIG. 3

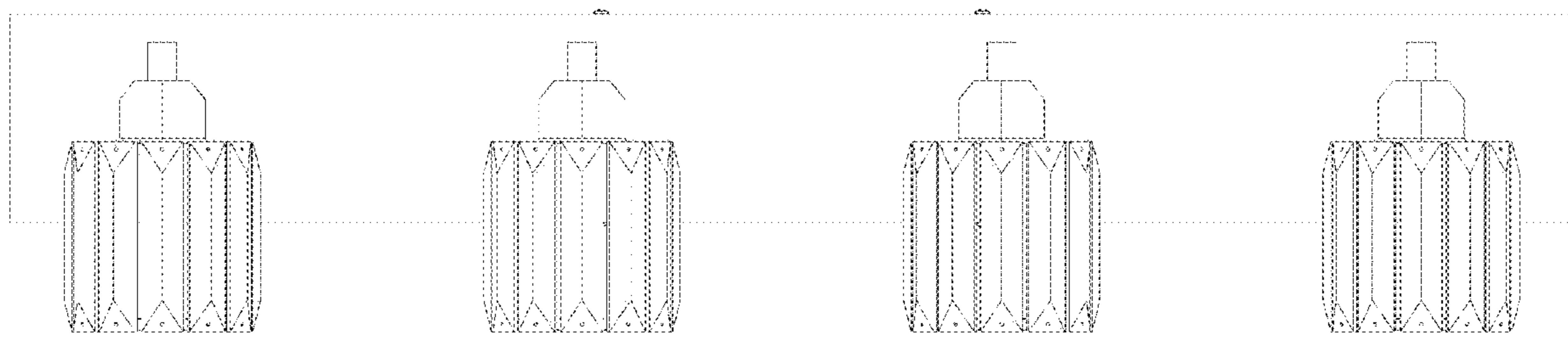


FIG 4

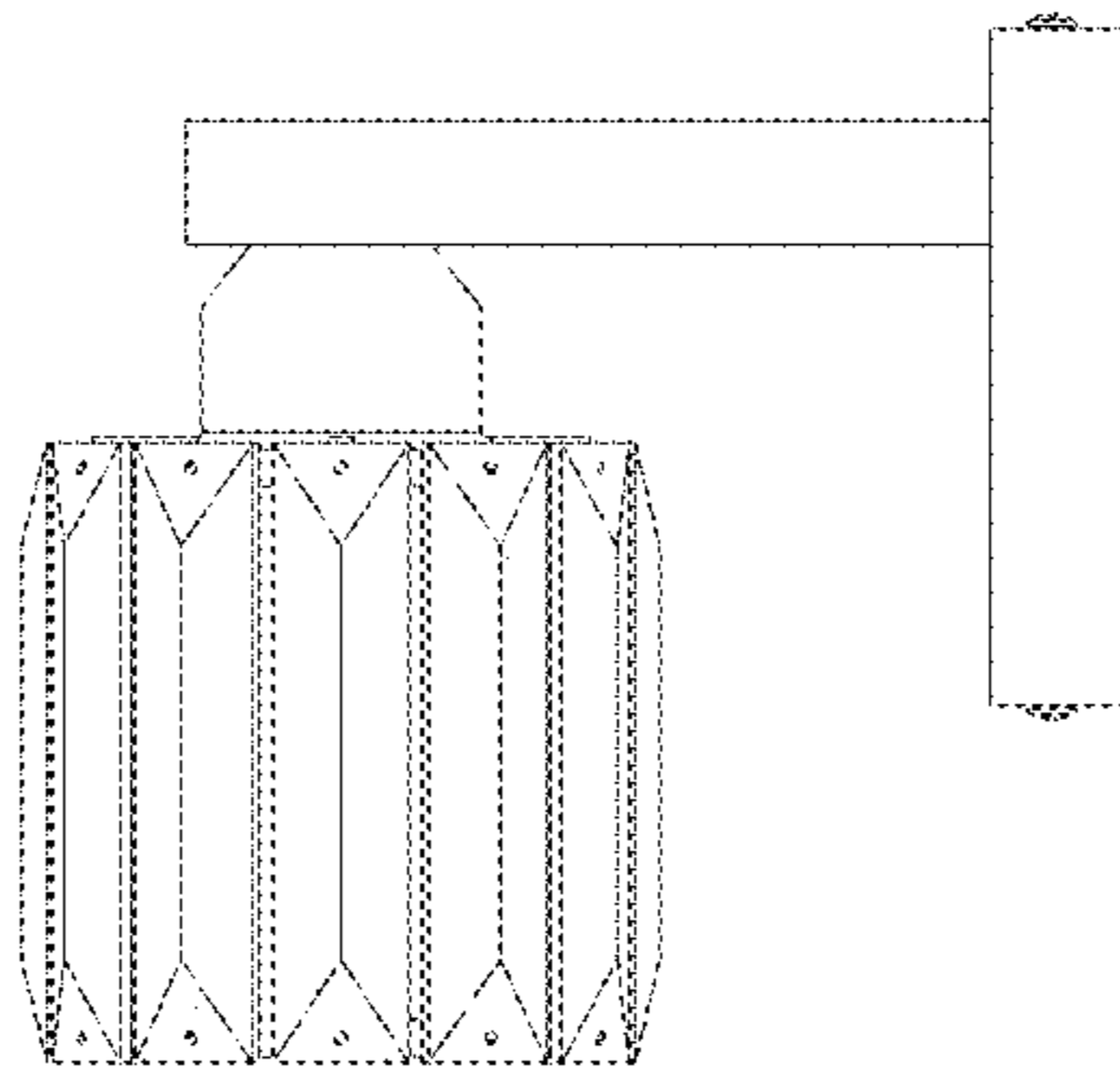


FIG. 5

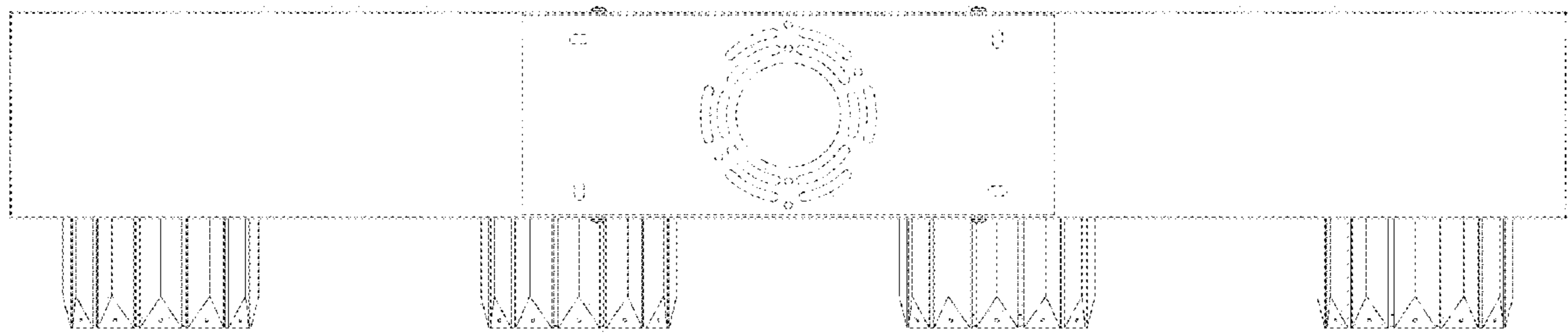


FIG. 6

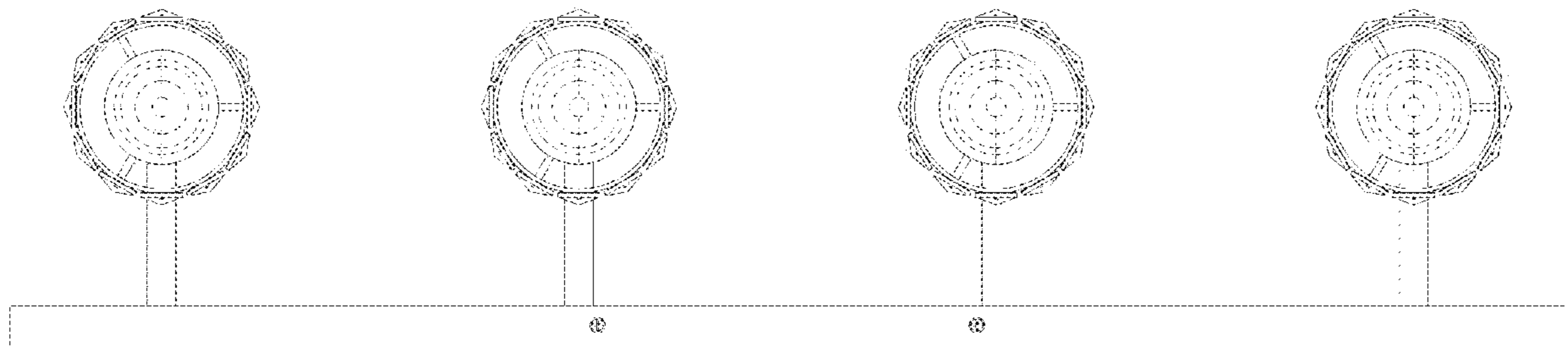


FIG. 7