



US00D922655S

(12) **United States Design Patent** (10) **Patent No.:** **US D922,655 S**
MacAllen et al. (45) **Date of Patent:** **** Jun. 15, 2021**

(54) **LIGHT FIXTURE**
(71) Applicant: **molo design, ltd.**, Vancouver (CA)
(72) Inventors: **Todd P. MacAllen**, Vancouver (CA);
Stephanie J. Forsythe, Vancouver (CA)
(73) Assignee: **molo design, ltd.**, Vancouver (CA)
(**) Term: **15 Years**
(21) Appl. No.: **29/701,954**
(22) Filed: **Aug. 15, 2019**
(30) **Foreign Application Priority Data**
Feb. 15, 2019 (CN) 201930064993.2
(51) **LOC (13) Cl.** **26-03**
(52) **U.S. Cl.**
USPC **D26/86**
(58) **Field of Classification Search**
USPC D26/80-86, 88, 90, 91
CPC F21S 8/06; F21S 8/061; F21S 8/063; F21S
8/065; F21S 8/066; F21S 8/068
See application file for complete search history.

(56) **References Cited**
U.S. PATENT DOCUMENTS
D45,539 S * 3/1914 Meyers D26/90
D112,841 S * 1/1939 Manning D26/86
D112,842 S * 1/1939 Manning D26/86
3,600,572 A * 8/1971 Grunwald F21V 1/00
362/358
D236,999 S * 9/1975 Tongson D26/134
D242,378 S * 11/1976 Leung D26/137
D260,938 S * 9/1981 Zurcher D26/91
D286,445 S * 10/1986 Sink D26/86
4,654,767 A * 3/1987 Yamaguchi F21V 1/14
362/352
D294,648 S * 3/1988 Platner D26/86

D536,820 S * 2/2007 Crosby D26/84
D557,445 S * 12/2007 Blum D26/86
D671,676 S * 11/2012 Komarov D26/90
D690,051 S * 9/2013 Sabernig D26/86
(Continued)

OTHER PUBLICATIONS

Light Fixtures by molo design posted to Facebook on Jan. 22, 2018.
(Year: 2018).*
(Continued)

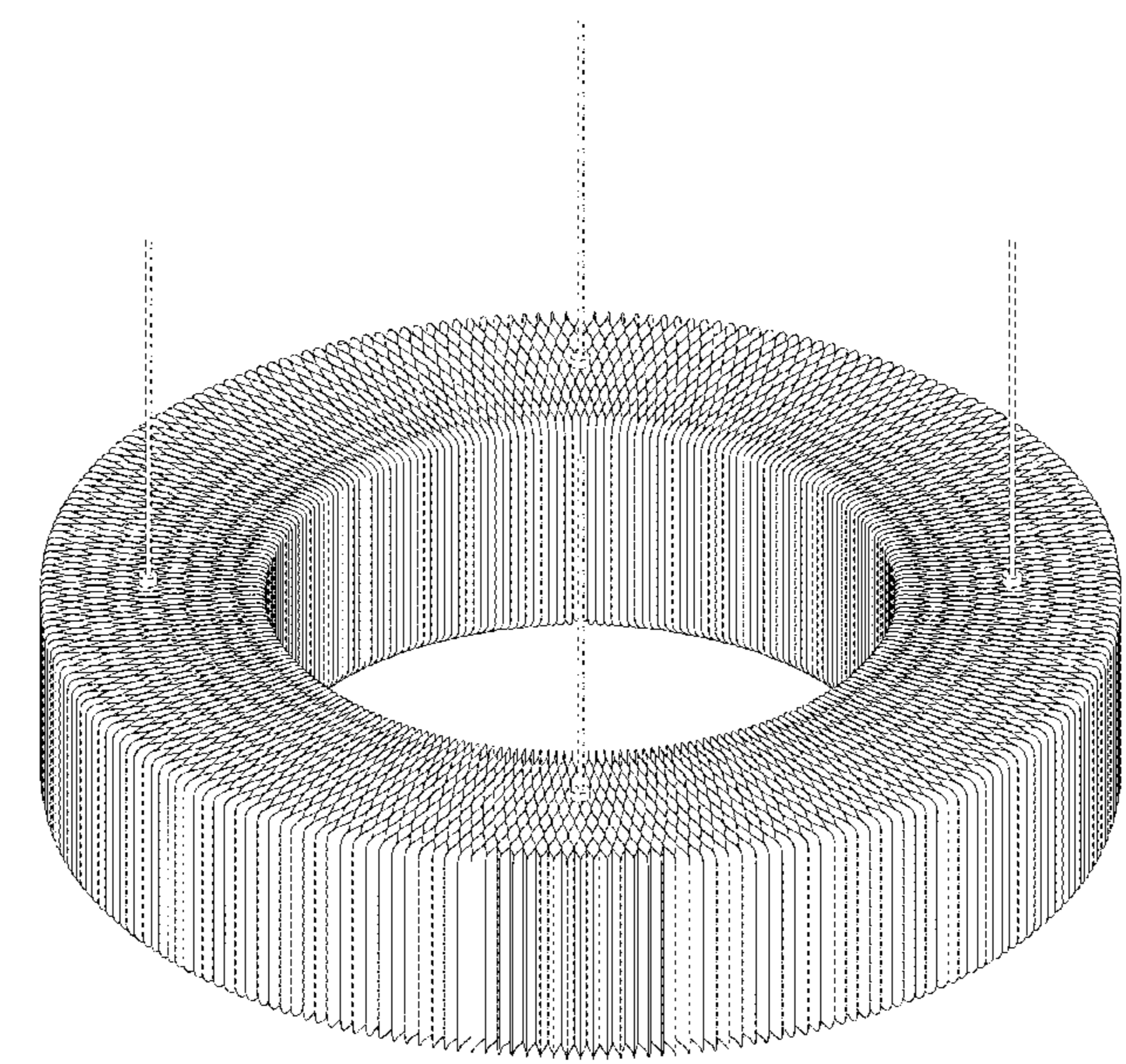
Primary Examiner — Clare E Heflin
(74) *Attorney, Agent, or Firm* — Banner & Witcoff, Ltd.

(57) **CLAIM**
The ornamental design for a light fixture, as shown and described.

DESCRIPTION

FIG. 1 is a front perspective view of a light fixture showing our new design;
FIG. 2 is a front view thereof;
FIG. 3 is a rear view thereof;
FIG. 4 is a right side view thereof;
FIG. 5 is a left side view thereof;
FIG. 6 is a top view thereof;
FIG. 7 is a bottom view thereof;
FIG. 8 is a front perspective view of the light fixture of FIGS. 1-7 shown in an illuminated state;
FIG. 9 is a front view thereof;
FIG. 10 is a rear view thereof;
FIG. 11 is a right side view thereof;
FIG. 12 is a left side view thereof;
FIG. 13 is a top view thereof; and,
FIG. 14 is a bottom view thereof.
The radiating lines emanating from the design in FIGS. 8-14 schematically represent illumination. The broken lines depicting the support wires form no part of the claimed design.

1 Claim, 14 Drawing Sheets



(56)

References Cited

U.S. PATENT DOCUMENTS

D698,983 S * 2/2014 Rampolla D26/90
D768,905 S * 10/2016 Sonneman D26/88
D784,597 S * 4/2017 Wilson D26/88
D898,979 S * 10/2020 Silver D26/88
2014/0078756 A1 * 3/2014 Tuttle F21V 1/18
362/382
2014/0153257 A1 * 6/2014 Smith F21V 1/14
362/355
2015/0300605 A1 * 10/2015 Clark B29C 65/48
362/367
2016/0245488 A1 * 8/2016 Clark F21S 2/00
2018/0142863 A1 * 5/2018 Cho F21V 3/023

OTHER PUBLICATIONS

Flexible paper seating by molo design. Photo posted to Facebook on May 5, 2014. (Year: 2014).*

Honeycomb Modern Dome Pendant from shadesoflight.com, visited Feb. 9, 2021. (Year: 2021).*

Lalhaveli Antique Pendant Ceiling Light Vintage Paper Light Shade Hanging 16x14 Inches available at amazon.com Jan. 1, 2016. (Year: 2016).*

* cited by examiner

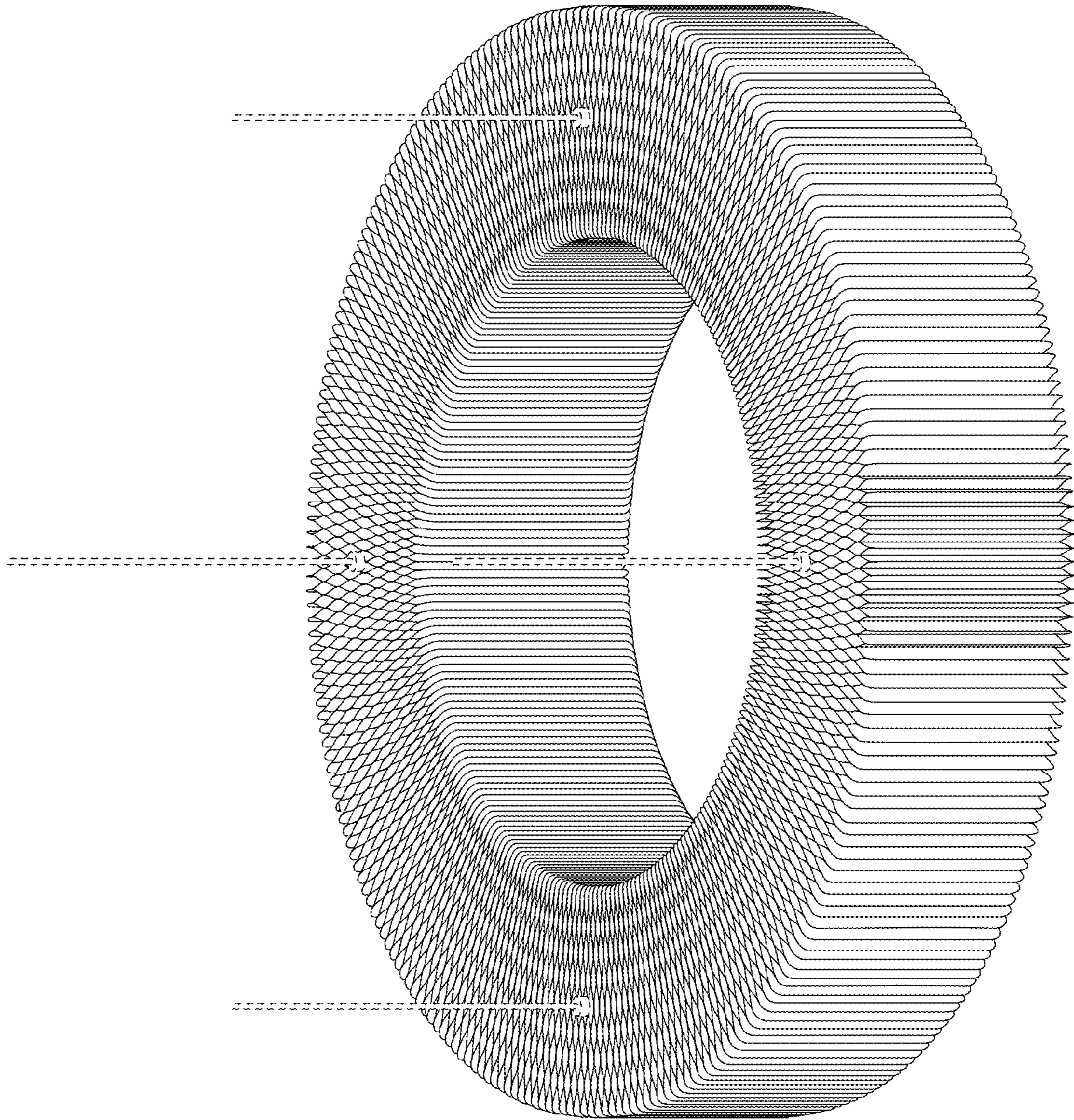


FIG. 1

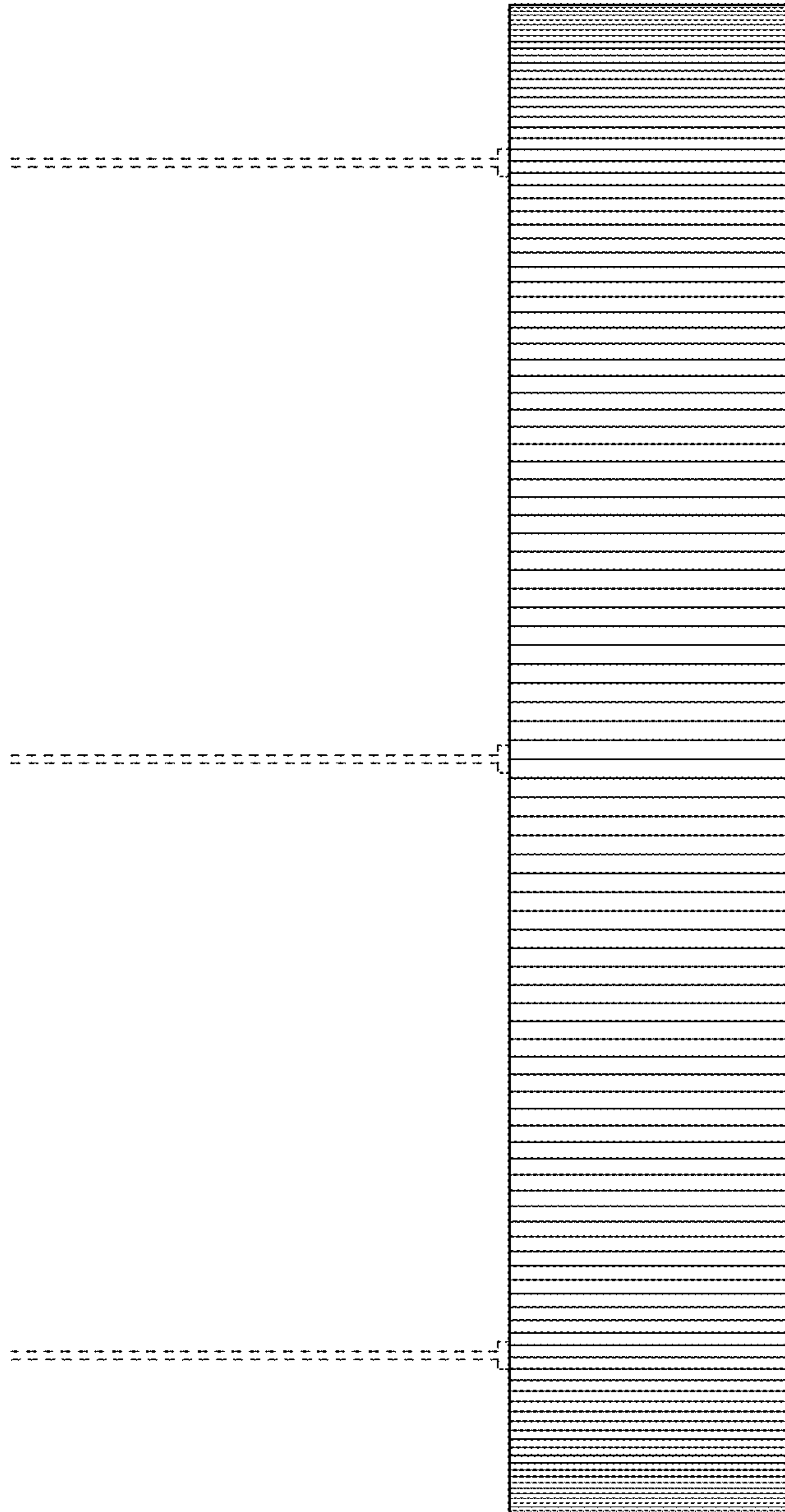


FIG. 2

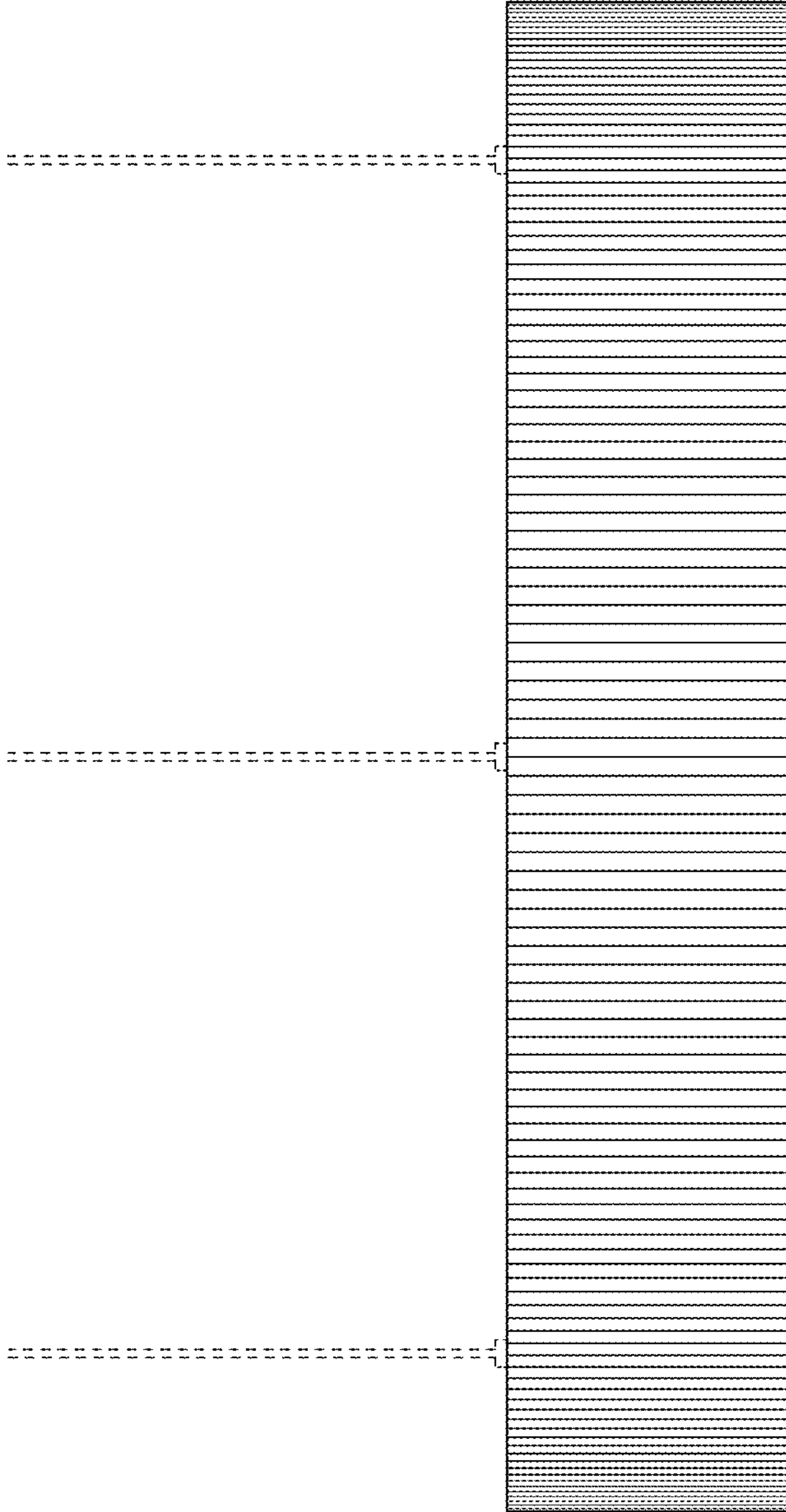


FIG. 3

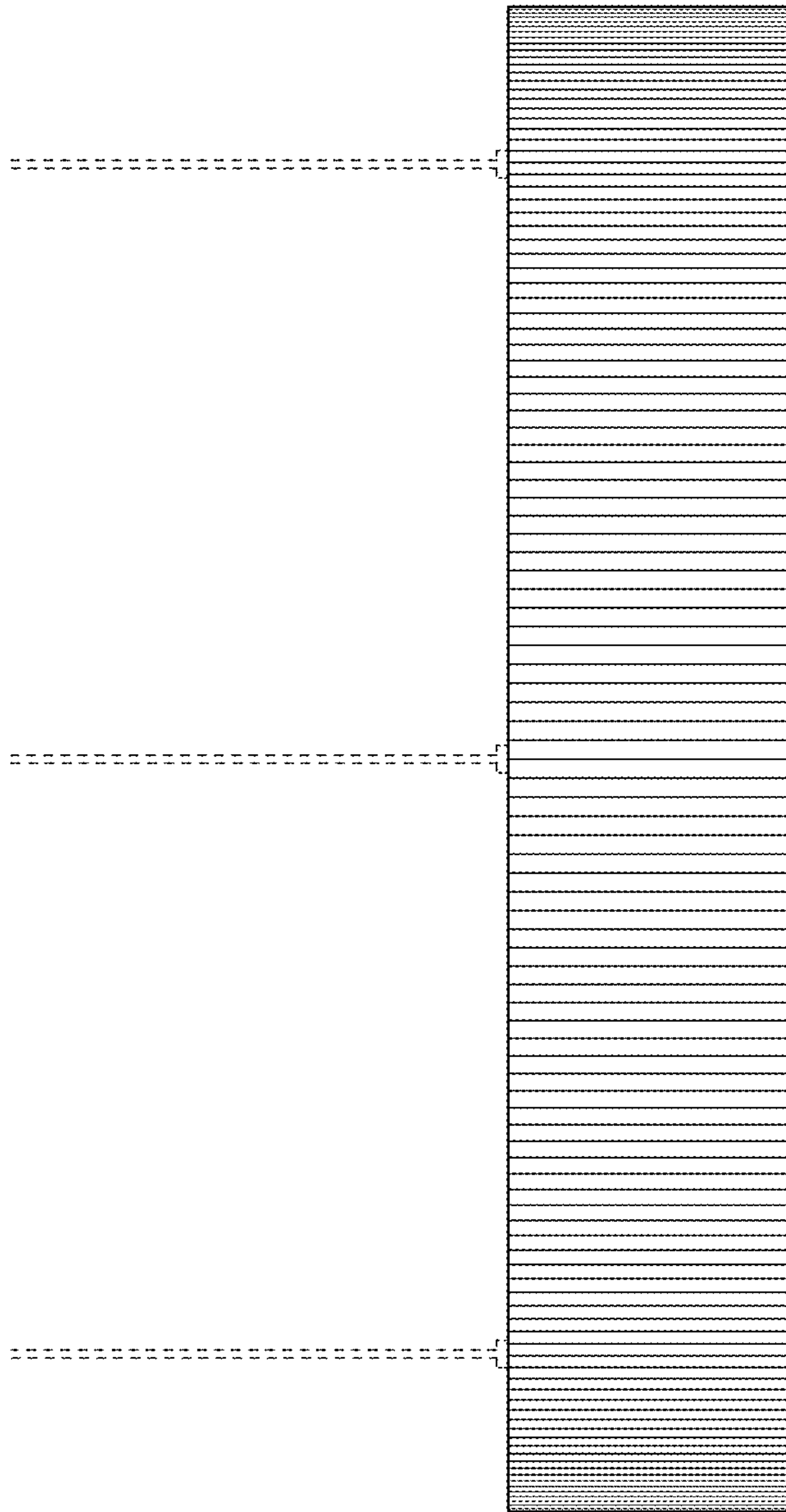


FIG. 4

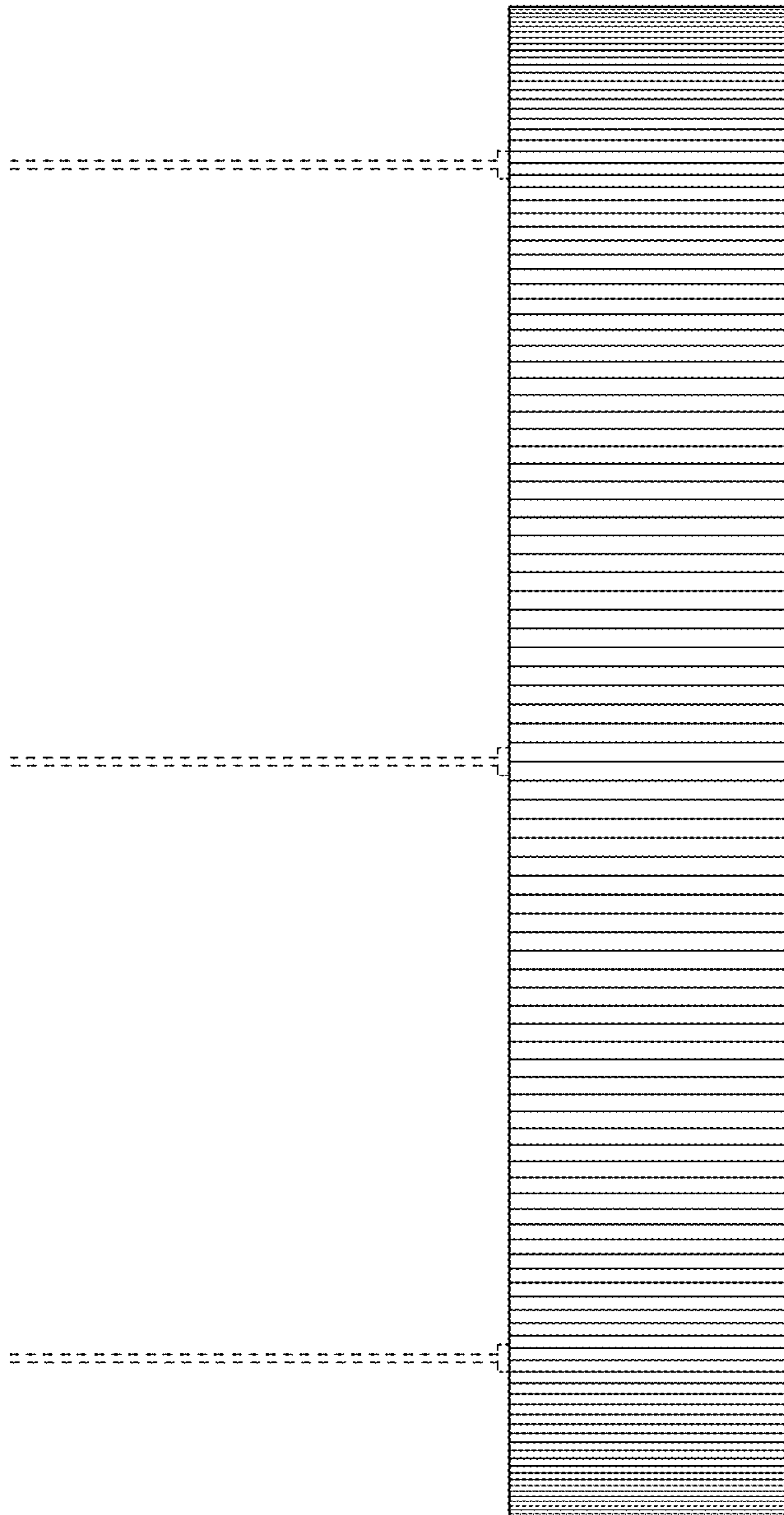


FIG. 5

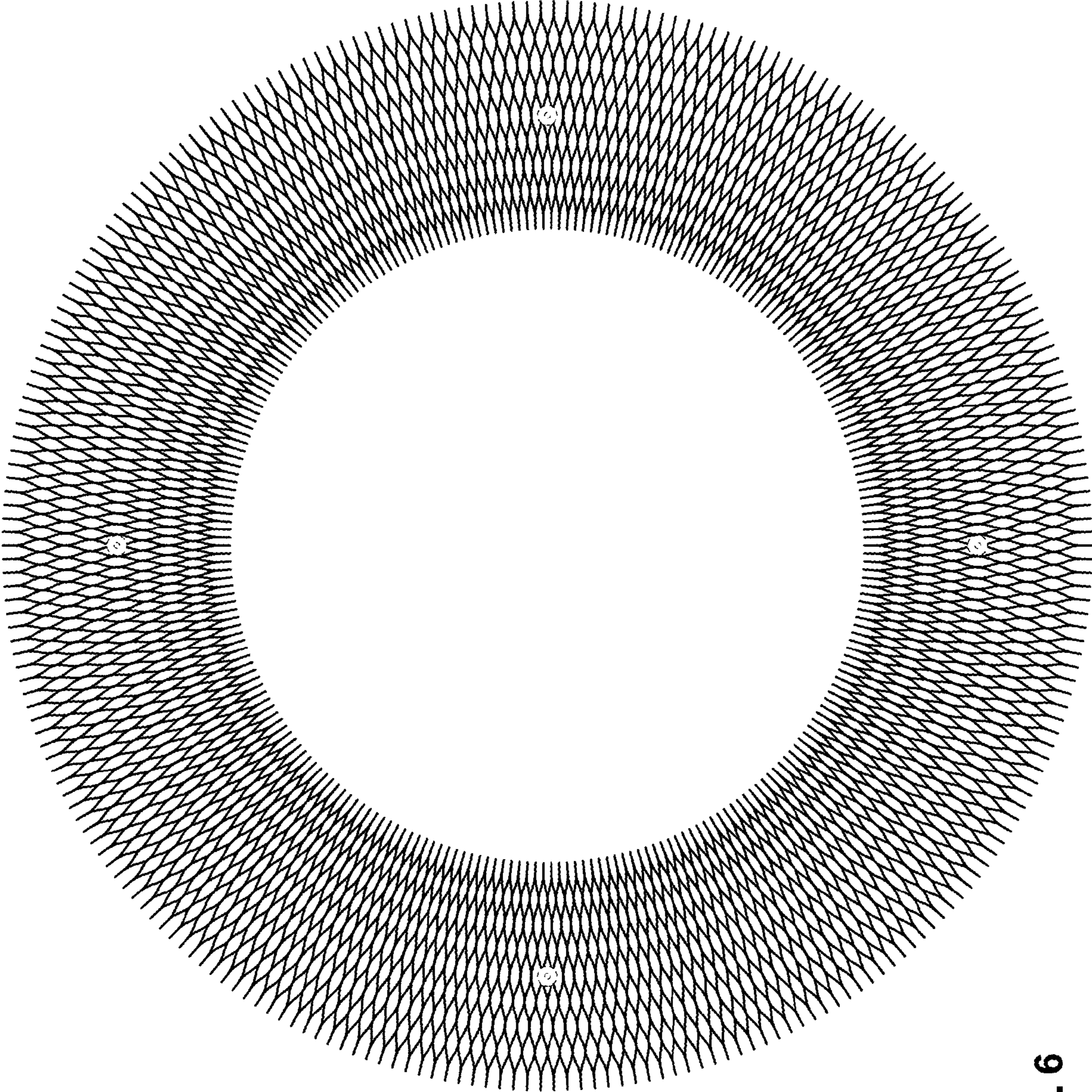


FIG. 6

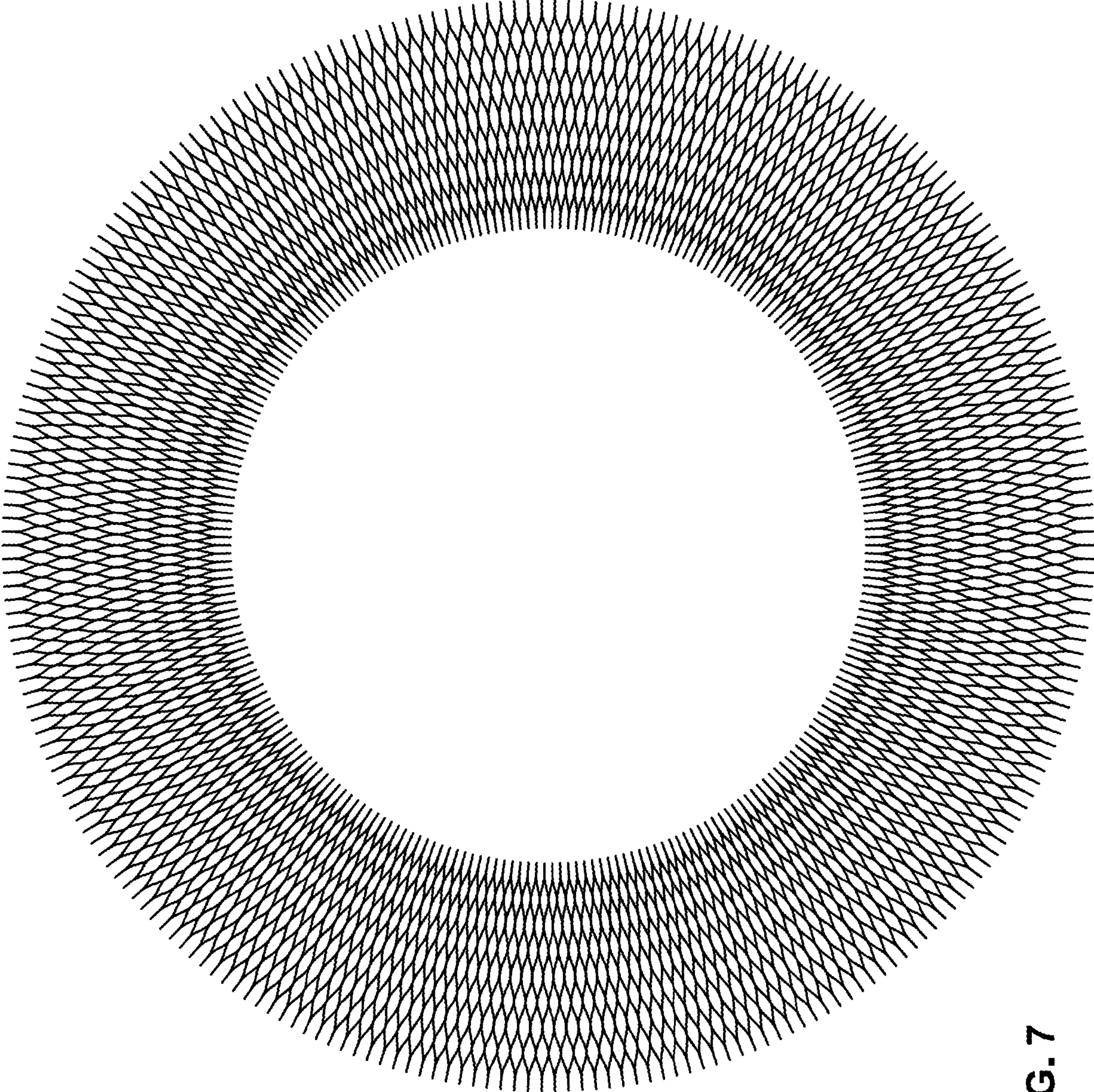


FIG. 7

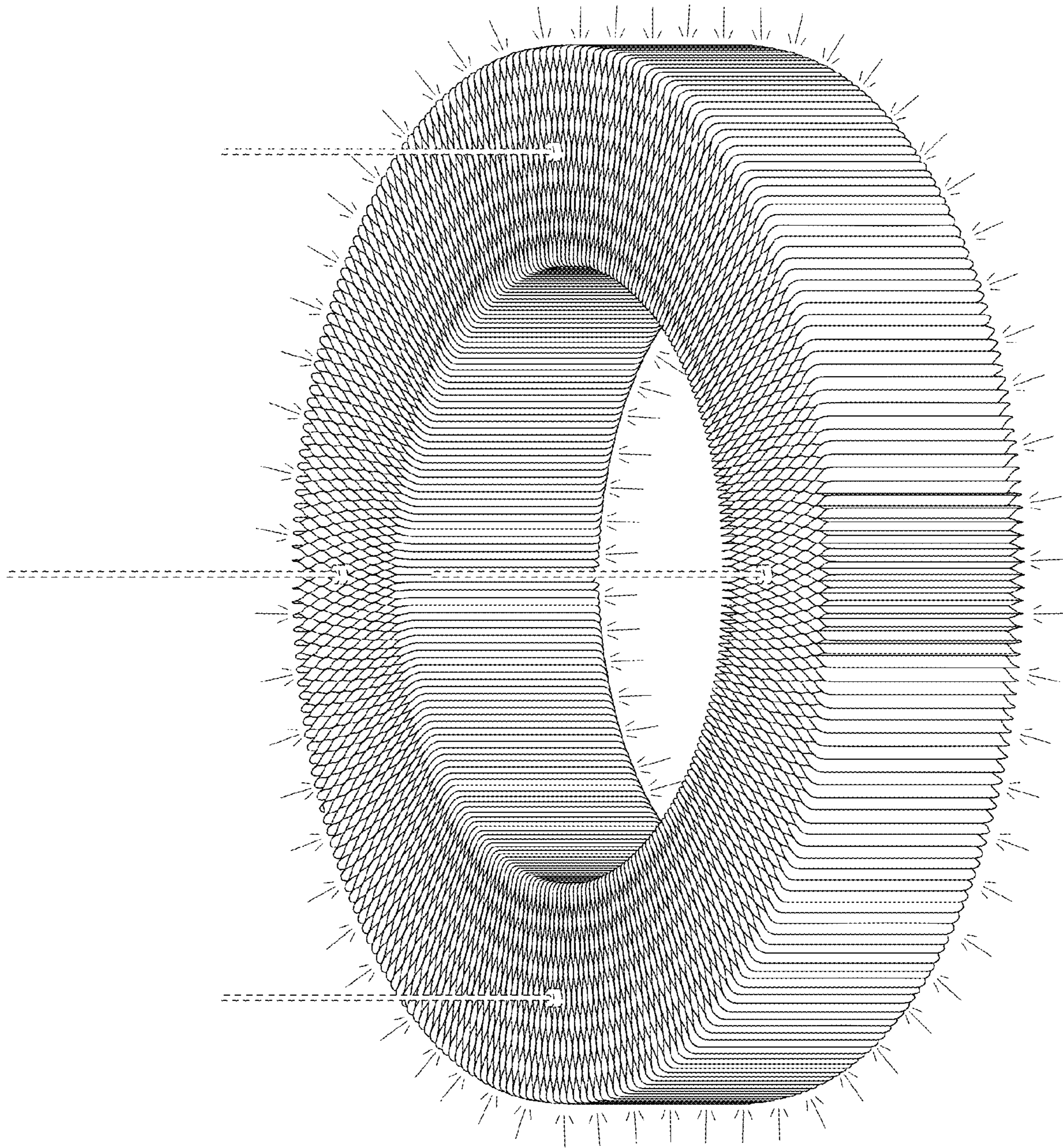


FIG. 8

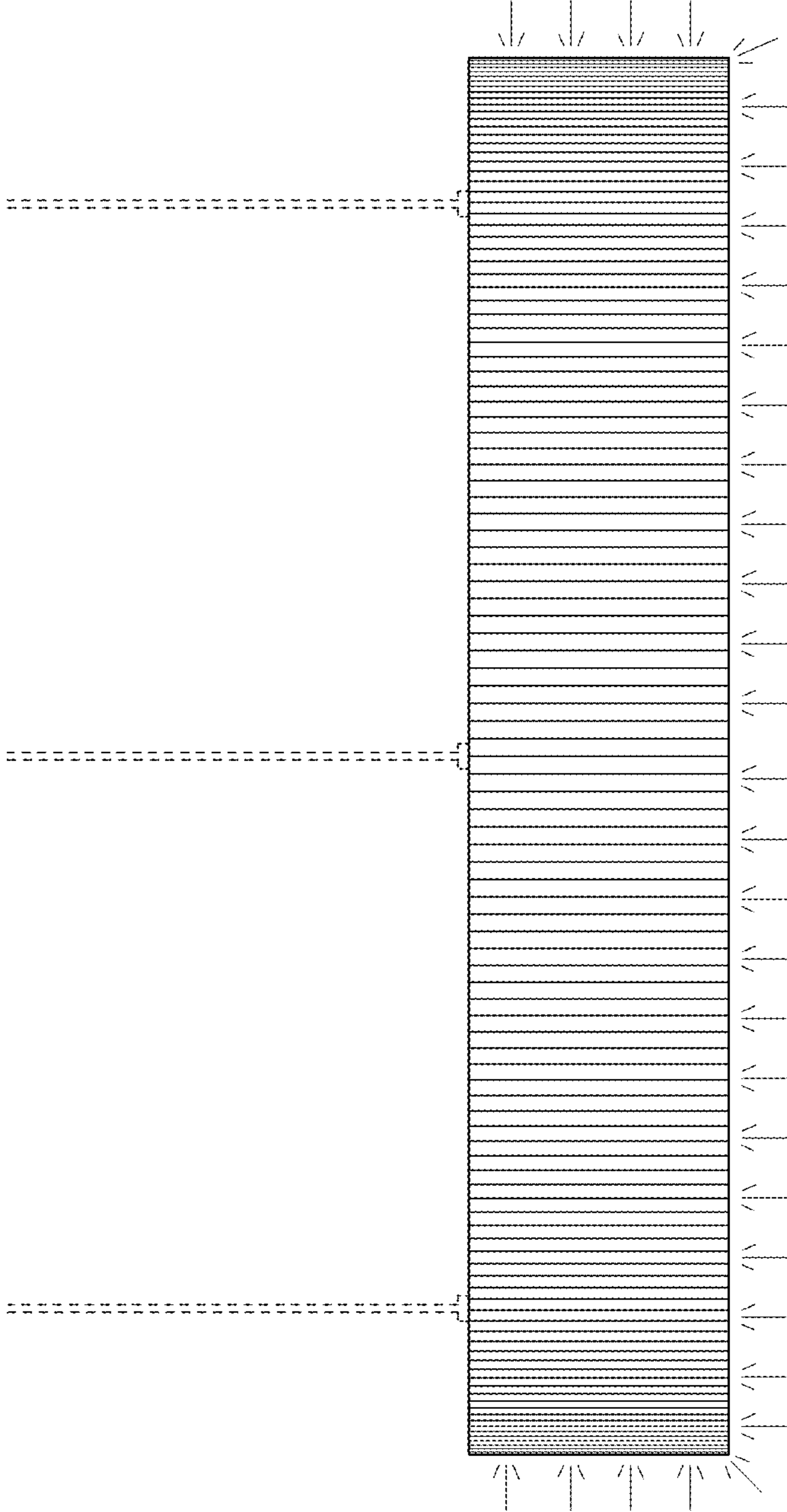


FIG. 9

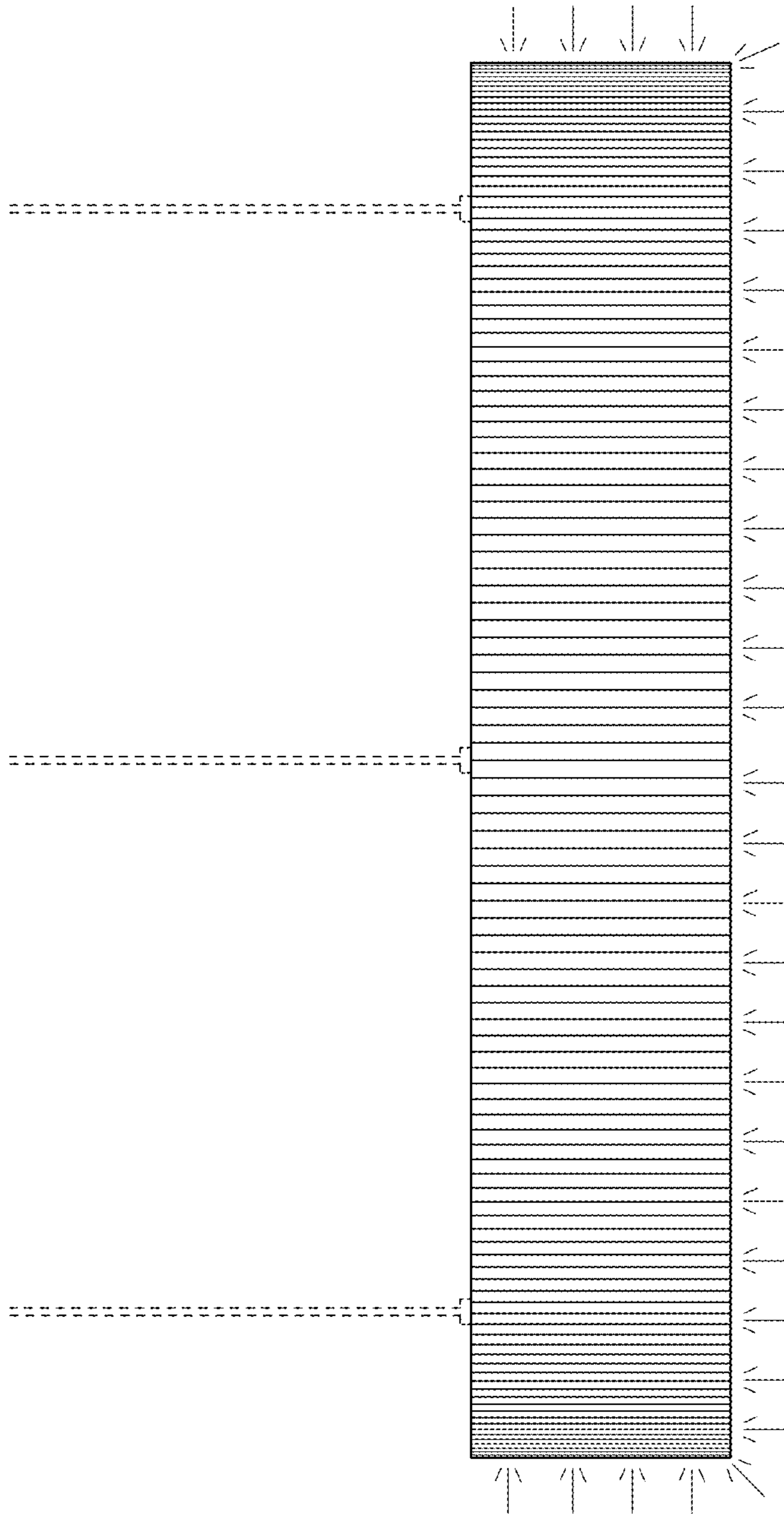


FIG. 10

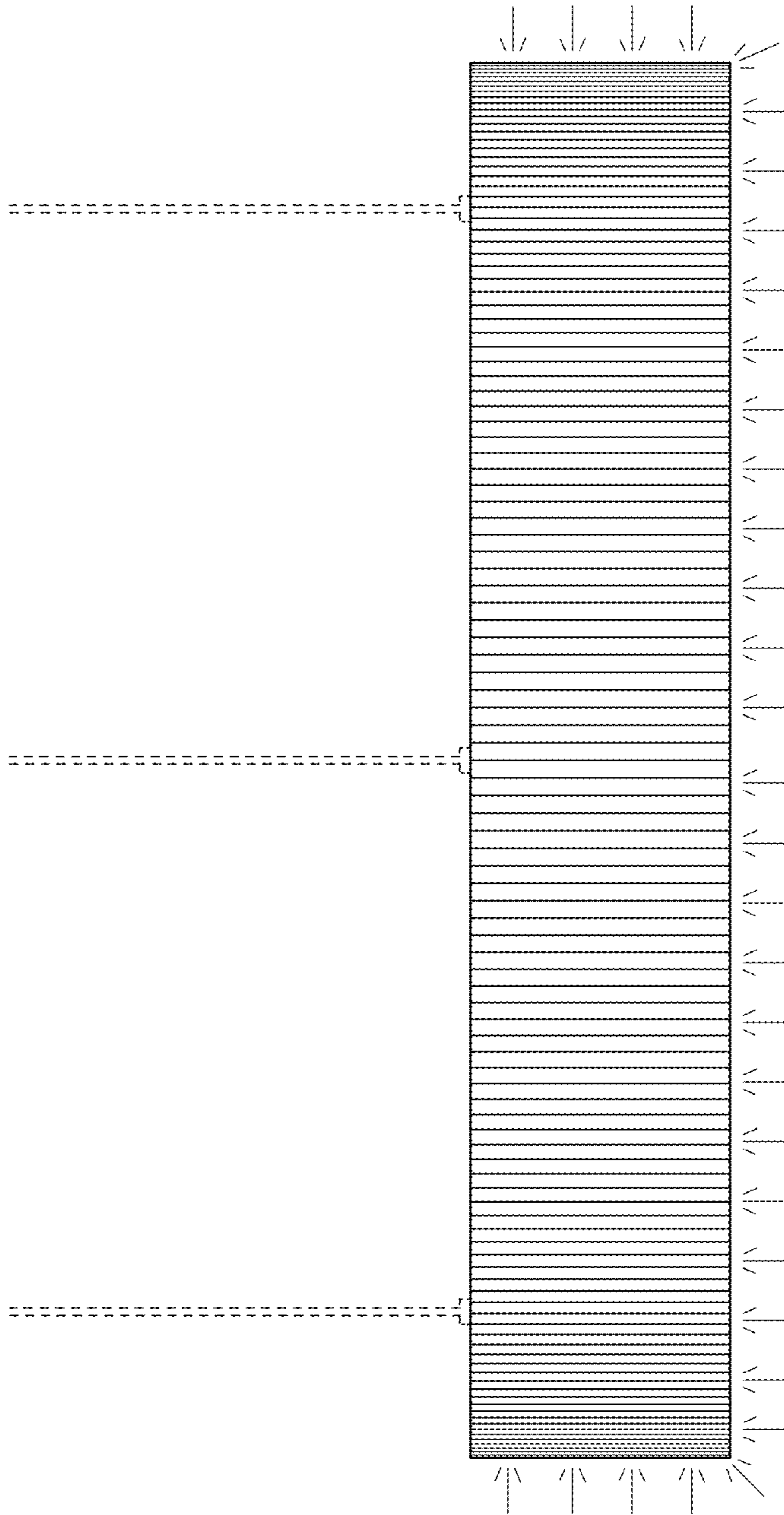


FIG. 11

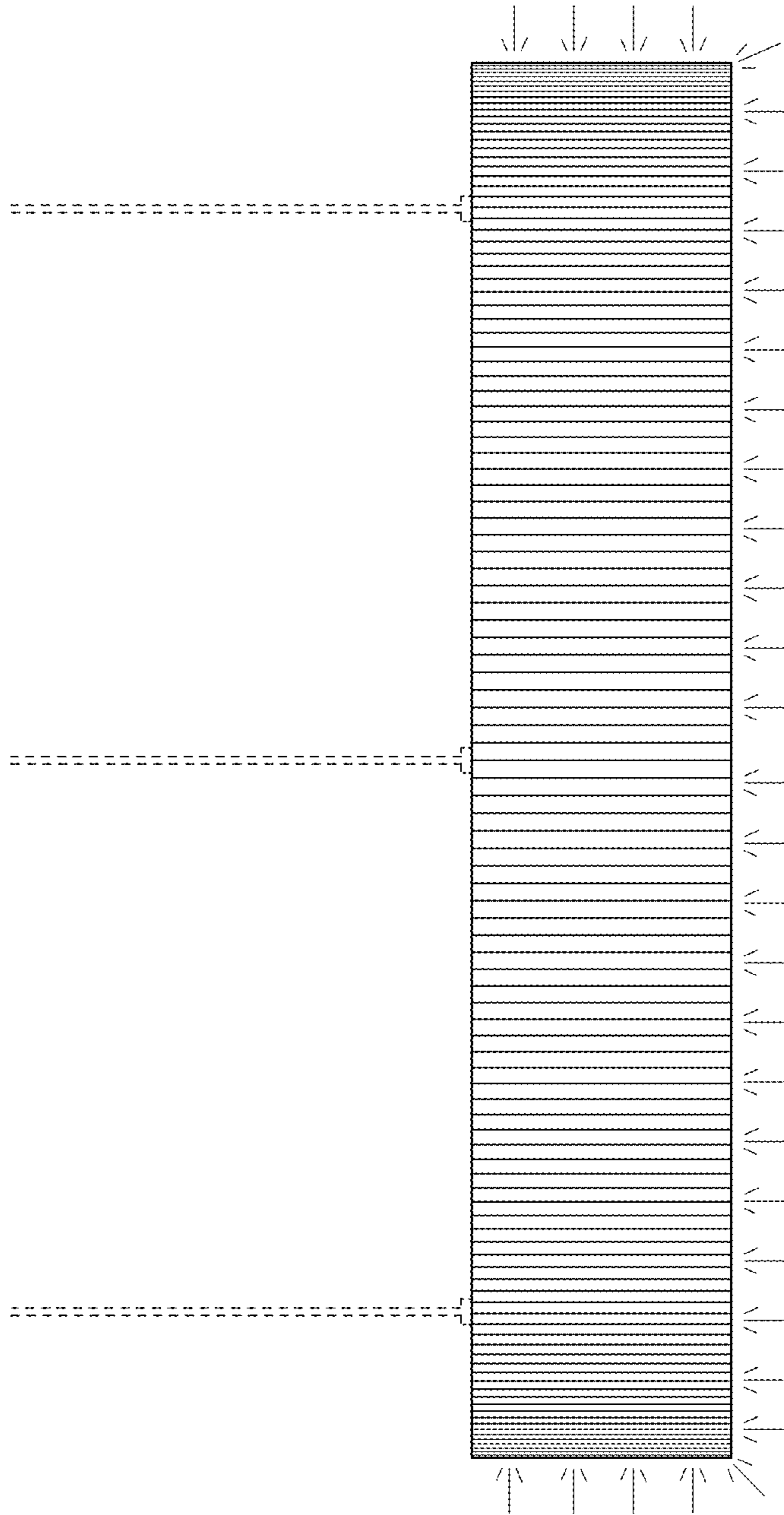


FIG. 12

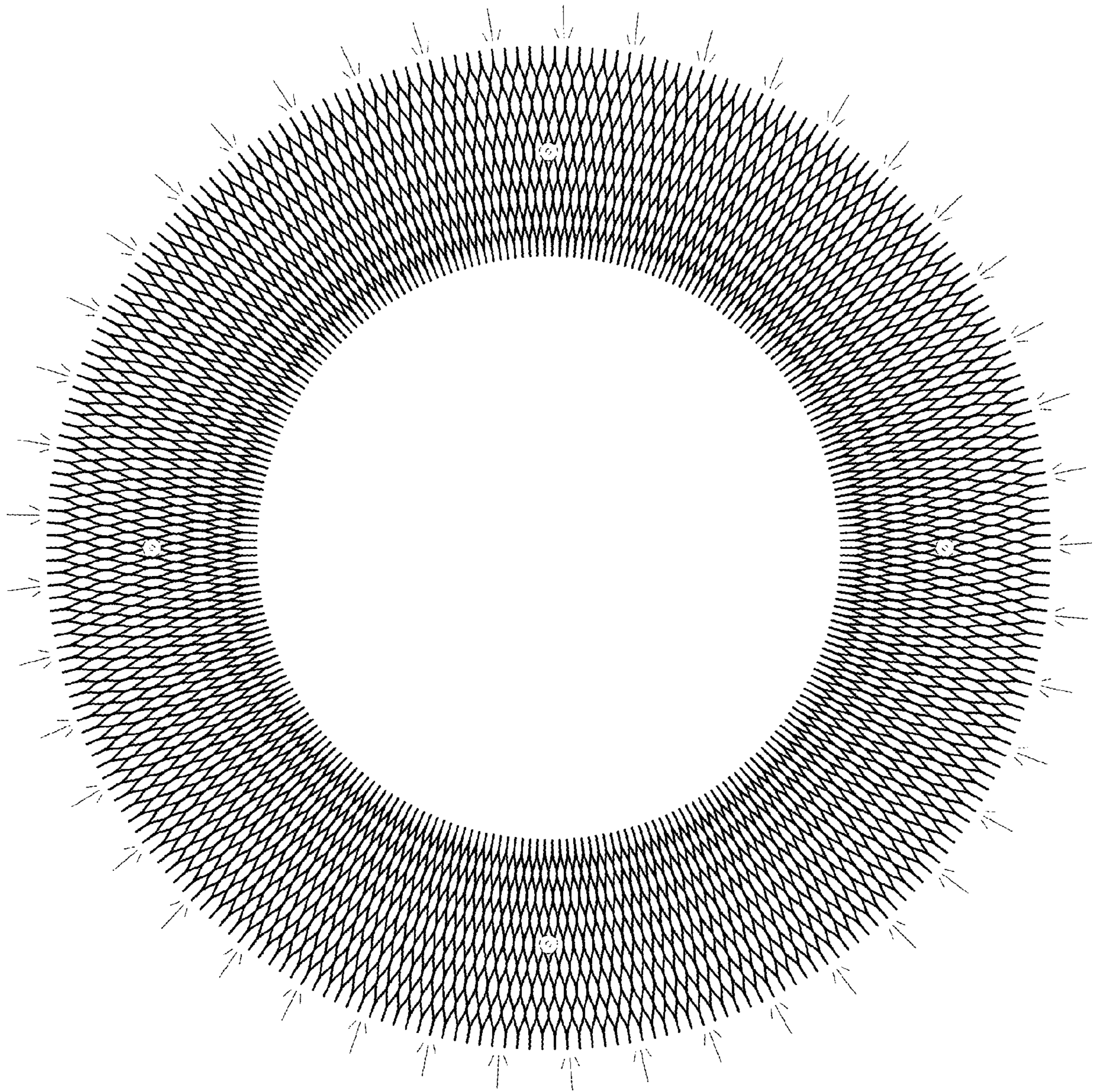


FIG. 13

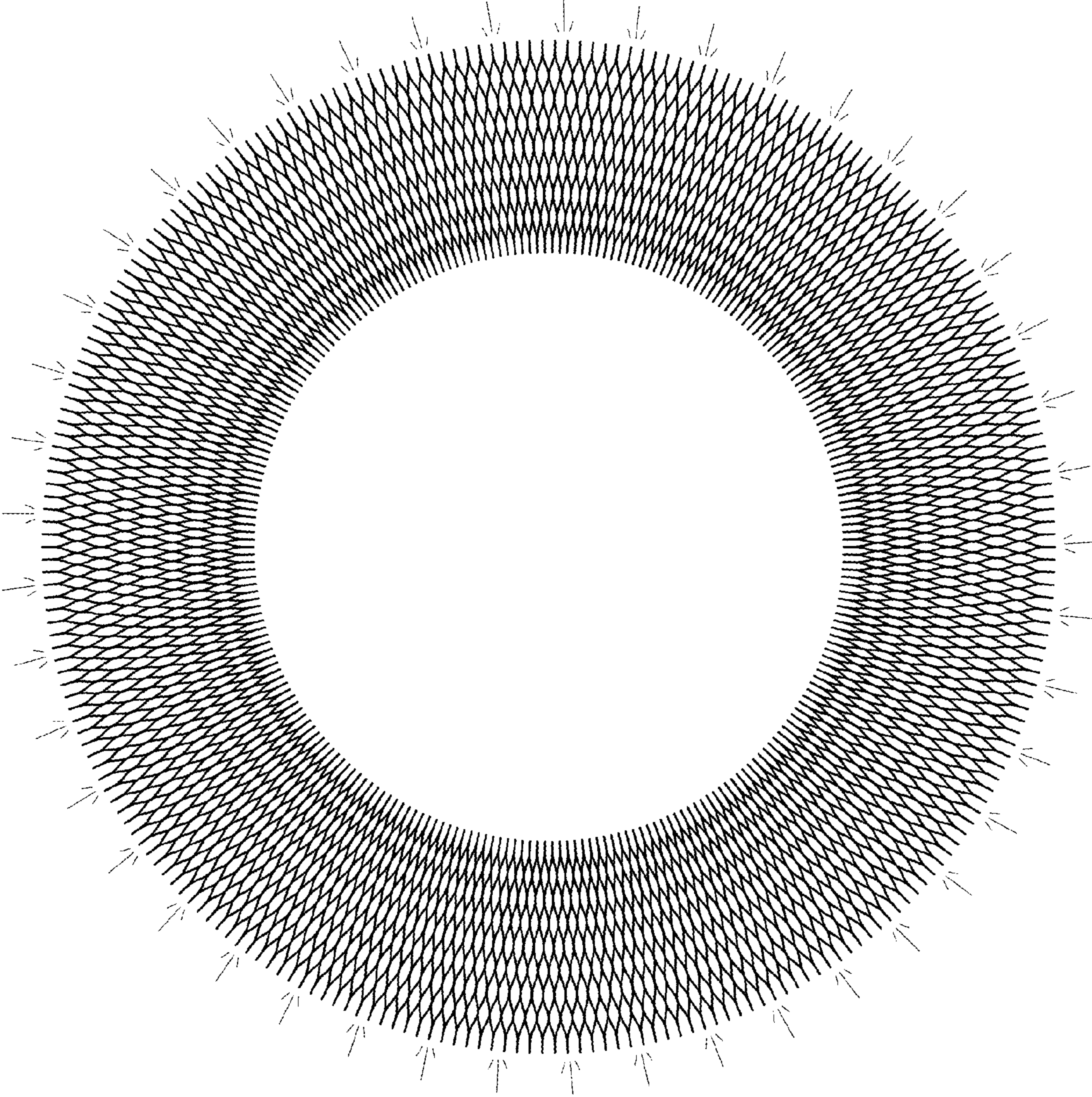


FIG. 14