



US00D922651S

(12) **United States Design Patent** (10) **Patent No.:** **US D922,651 S**
Klase et al. (45) **Date of Patent:** **** Jun. 15, 2021**

(54) **LUMINAIRE**

(71) Applicants: **Nicholas Klase**, Driftwood, TX (US);
Randall Johnson, Austin, TX (US)

(72) Inventors: **Nicholas Klase**, Driftwood, TX (US);
Randall Johnson, Austin, TX (US)

(73) Assignee: **Fluence Bioengineering, Inc.**, Austin,
TX (US)

(**) Term: **15 Years**

(21) Appl. No.: **29/707,421**

(22) Filed: **Sep. 27, 2019**

Related U.S. Application Data

(60) Division of application No. 15/950,951, filed on Apr. 11, 2018, now Pat. No. 10,571,113, which is a continuation of application No. 15/215,923, filed on Jul. 21, 2016, now Pat. No. 9,970,649.

(51) **LOC (13) Cl.** **26-03**

(52) **U.S. Cl.**
USPC **D26/76**

(58) **Field of Classification Search**
USPC D26/24, 63, 72, 75, 76, 80, 84, 88, 89,
D26/113
CPC F21S 8/00; F21S 8/02; F21S 8/04; F21S
8/024; F21S 8/08; F21V 21/00; F21V
21/041

See application file for complete search history.

(56) **References Cited**

U.S. PATENT DOCUMENTS

D558,379 S *	12/2007	Citterio	D26/76
D603,548 S *	11/2009	Pei	D26/76
D608,487 S *	1/2010	Pei	D26/76
D619,292 S *	7/2010	Pei	D26/76
D629,554 S *	12/2010	Gielen	D26/76
D695,443 S *	12/2013	Kaule	D26/76
D756,553 S *	5/2016	Kim	D26/76
D764,092 S *	8/2016	Cai	D26/76
D782,095 S *	3/2017	Fletcher	D26/76
D844,880 S *	4/2019	Zeng	D26/76
D846,787 S *	4/2019	Lu	D26/76

* cited by examiner

Primary Examiner — Zenia I Bennett

(74) *Attorney, Agent, or Firm* — Edward S. Podszus

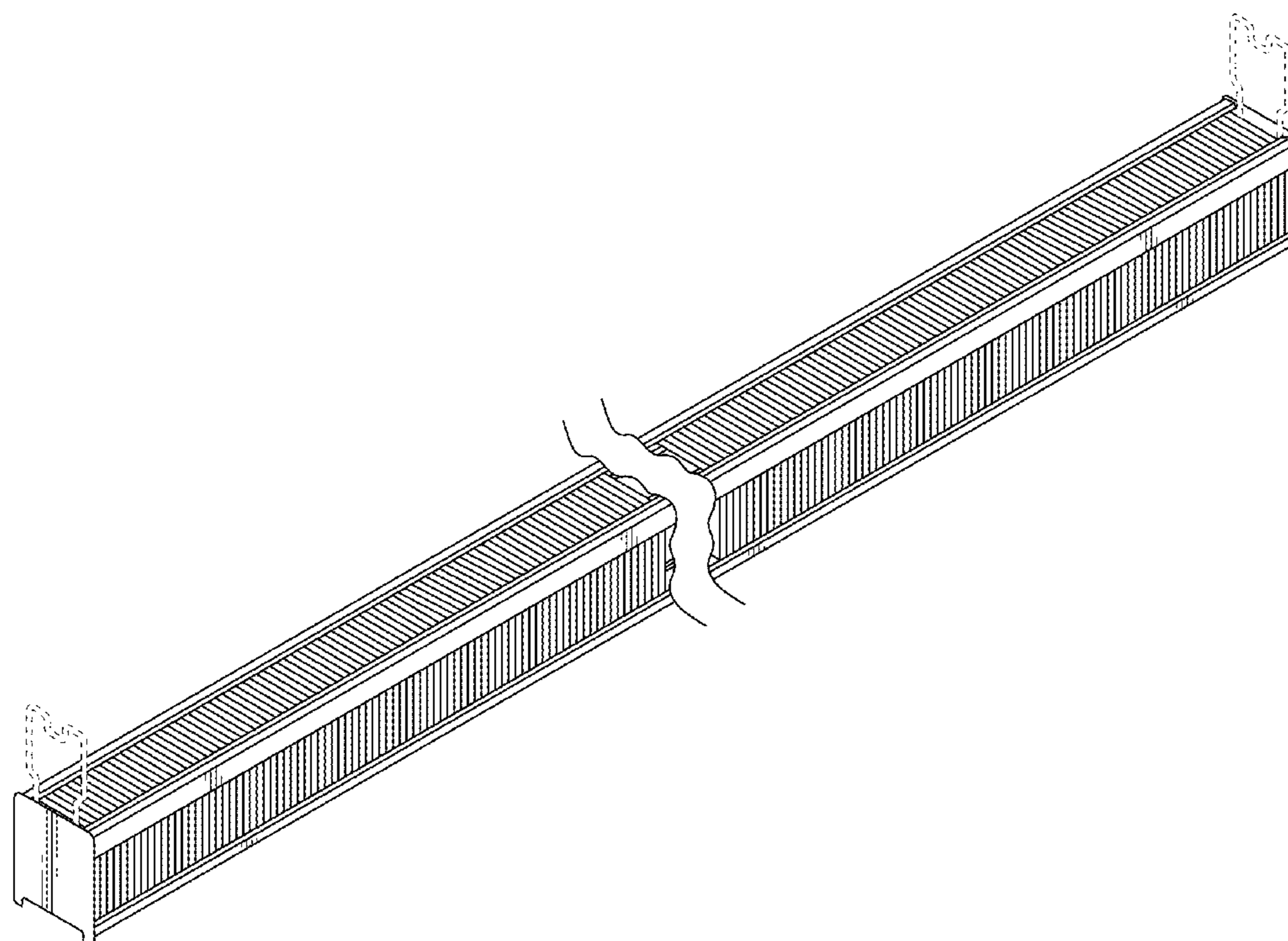
(57) **CLAIM**

The ornamental design for a luminaire, as shown and described.

DESCRIPTION

FIG. 1 is a perspective view of the new design for a luminaire as seen from the top, right side; FIG. 2 is a right side elevational view, the left side being a mirror image thereof; FIG. 3 is a front elevational view, the rear elevational view being a mirror image thereof; FIG. 4 is a top plan view thereof; and, FIG. 5 is a bottom plan view thereof. The broken lines depicting portions of the luminaire in the drawing are for illustrative purposes only and form no part of the claimed design.

1 Claim, 3 Drawing Sheets



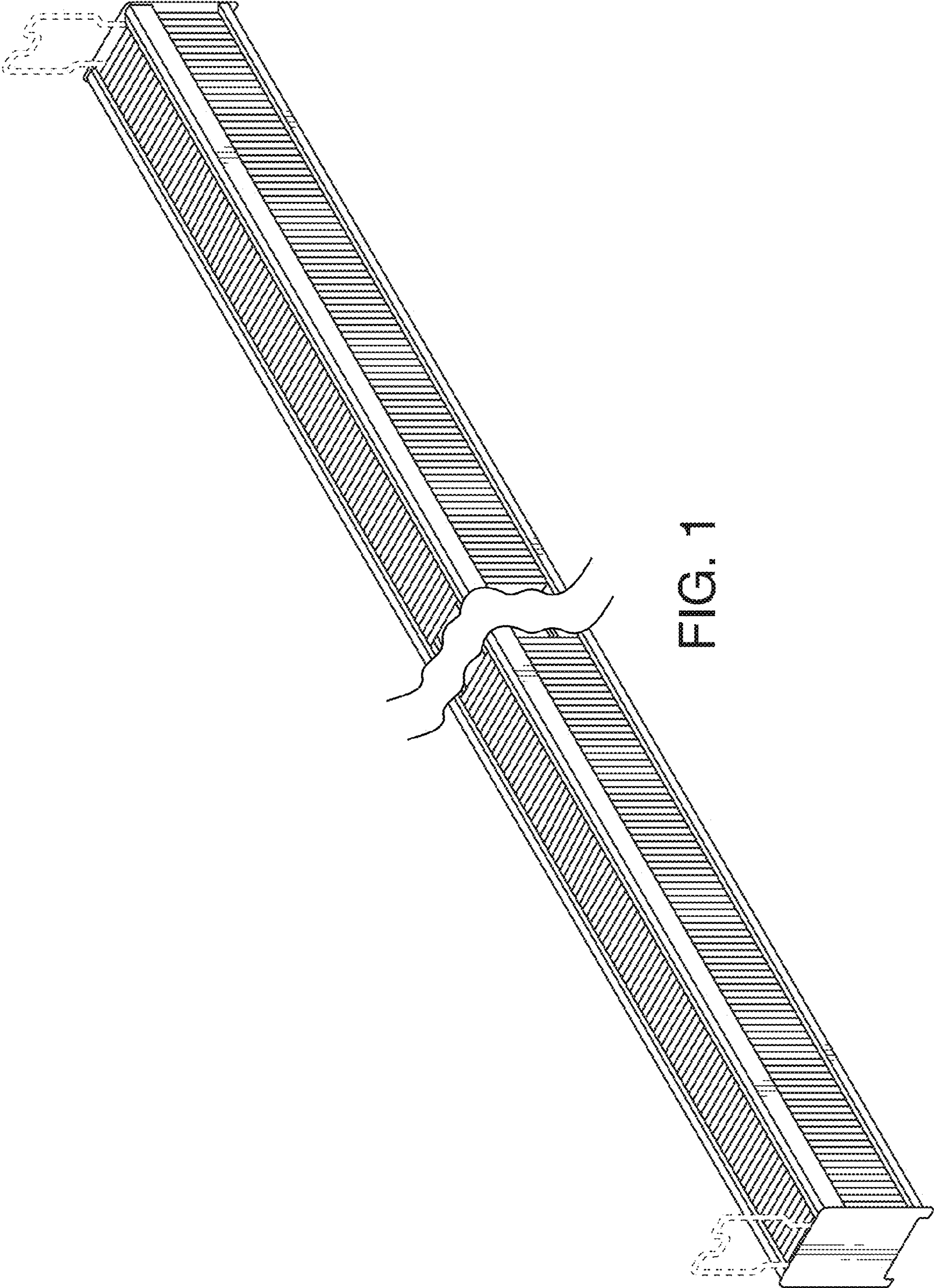


FIG. 1

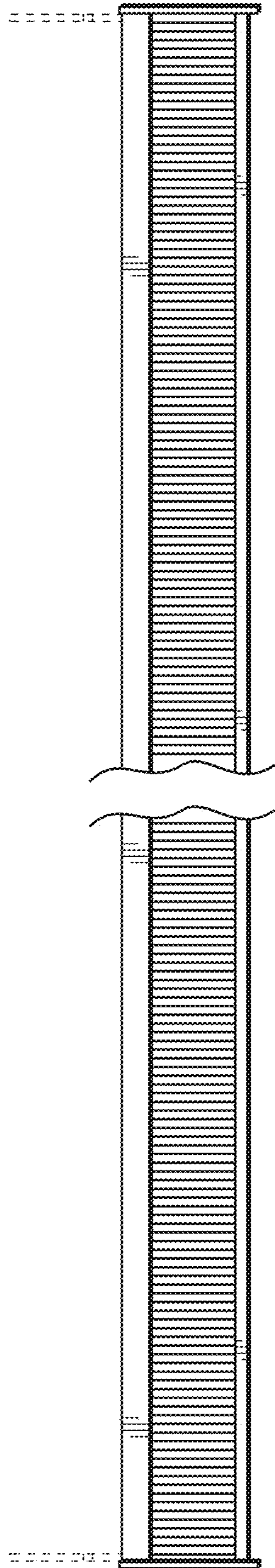


FIG. 2

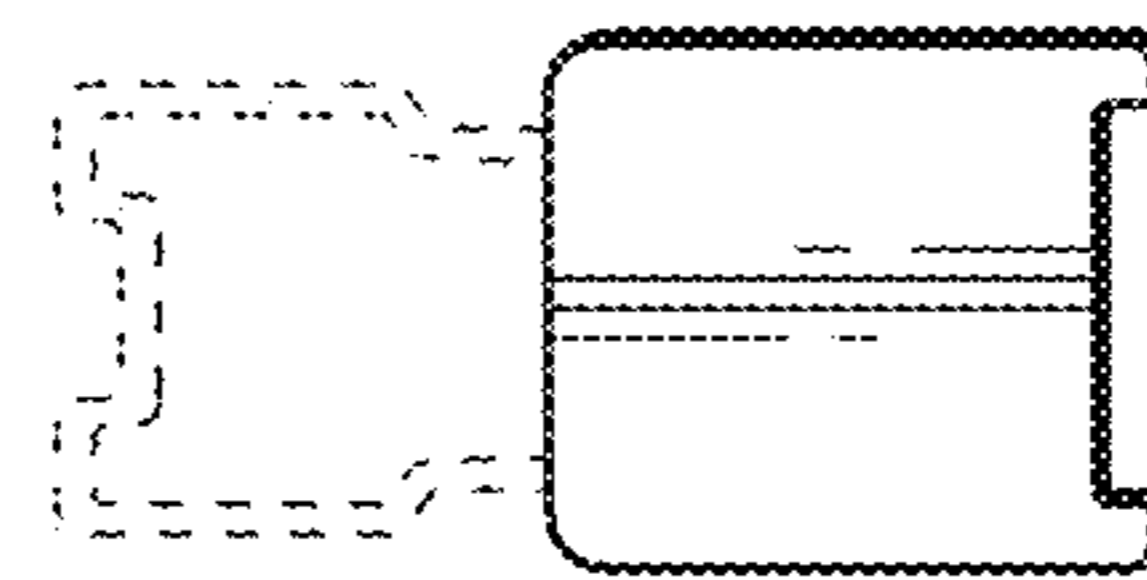


FIG. 3

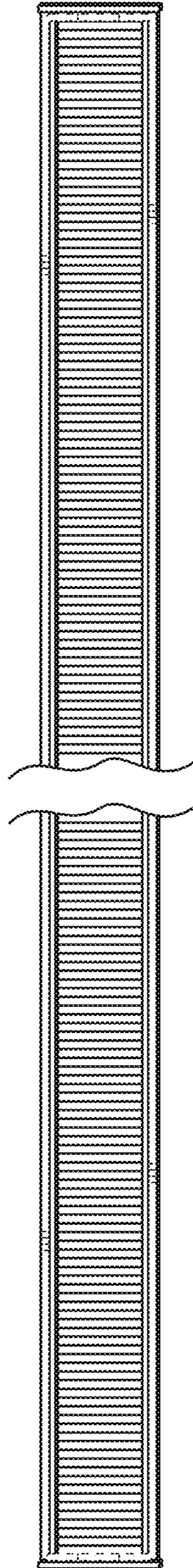


FIG. 4

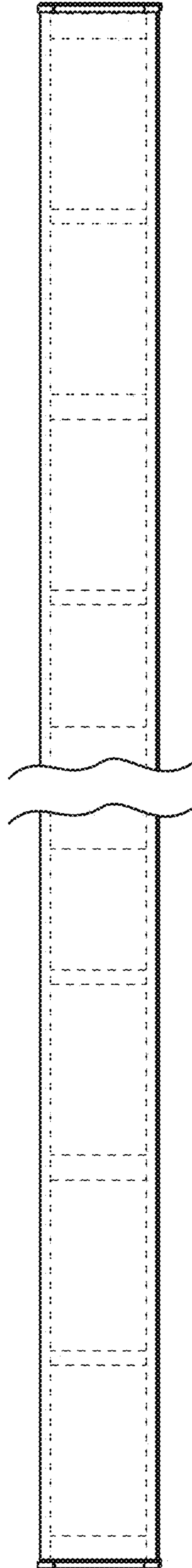


FIG. 5