



US00D922645S

(12) **United States Design Patent**  
**Gowing**

(10) **Patent No.:** **US D922,645 S**

(45) **Date of Patent:** **\*\* Jun. 15, 2021**

(54) **FLOOD LIGHT**

(71) Applicant: **Amazon Technologies, Inc.**, Seattle, WA (US)

(72) Inventor: **Blake W. Gowing**, Chesterland, OH (US)

(73) Assignee: **Amazon Technologies, Inc.**, Seattle, WA (US)

(\*\*) Term: **15 Years**

(21) Appl. No.: **29/722,169**

(22) Filed: **Jan. 27, 2020**

(51) **LOC (13) Cl.** ..... **26-03**

(52) **U.S. Cl.**  
USPC ..... **D26/63**

(58) **Field of Classification Search**  
USPC ..... D26/24, 51, 61, 63, 65, 72, 80  
CPC .... F21S 8/04; F21S 8/00; F21V 21/00; F21V 17/02; F21V 14/02; F21V 21/30; F21V 21/14; F21V 21/26; F21W 2131/10  
See application file for complete search history.

(56) **References Cited**

**U.S. PATENT DOCUMENTS**

D392,065 S \* 3/1998 Morrow ..... D10/106.1  
D765,901 S \* 9/2016 Chen ..... D26/63  
D866,035 S \* 11/2019 Tan ..... D26/63

D869,038 S \* 12/2019 Recker ..... D26/63  
D869,721 S \* 12/2019 Recker ..... D26/63  
D878,656 S \* 3/2020 Recker ..... D26/63  
D888,310 S \* 6/2020 Siminoff ..... D26/63  
D889,720 S \* 7/2020 Zhu ..... D26/63  
D889,721 S \* 7/2020 Tan ..... D26/63  
D892,379 S \* 8/2020 Recker ..... D26/63  
D894,461 S \* 8/2020 Recker ..... D26/63  
D894,462 S \* 8/2020 Recker ..... D26/63  
D896,424 S \* 9/2020 Wang ..... D26/63

\* cited by examiner

*Primary Examiner* — Brian N. Vinson

(74) *Attorney, Agent, or Firm* — Lee & Hayes, P.C.

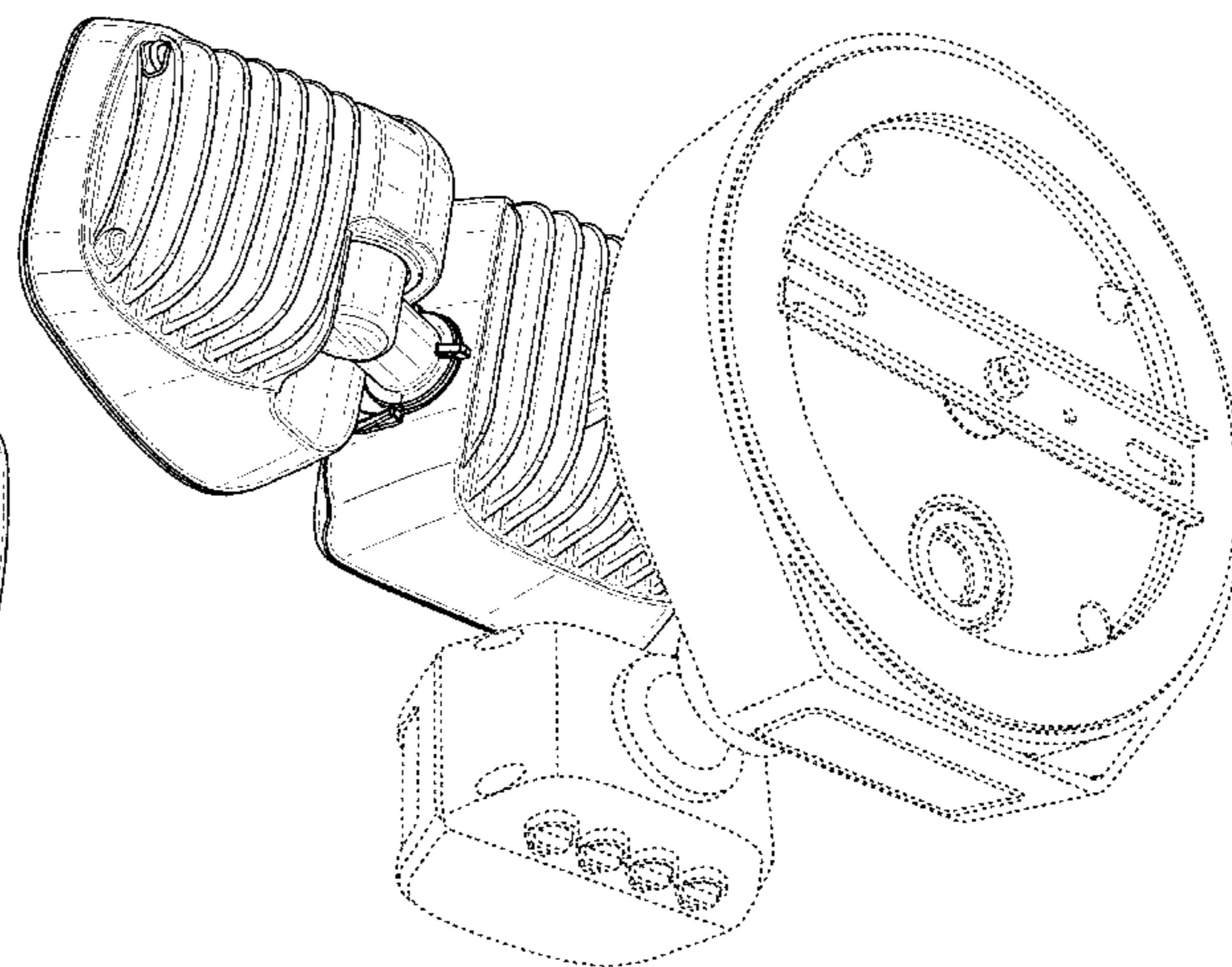
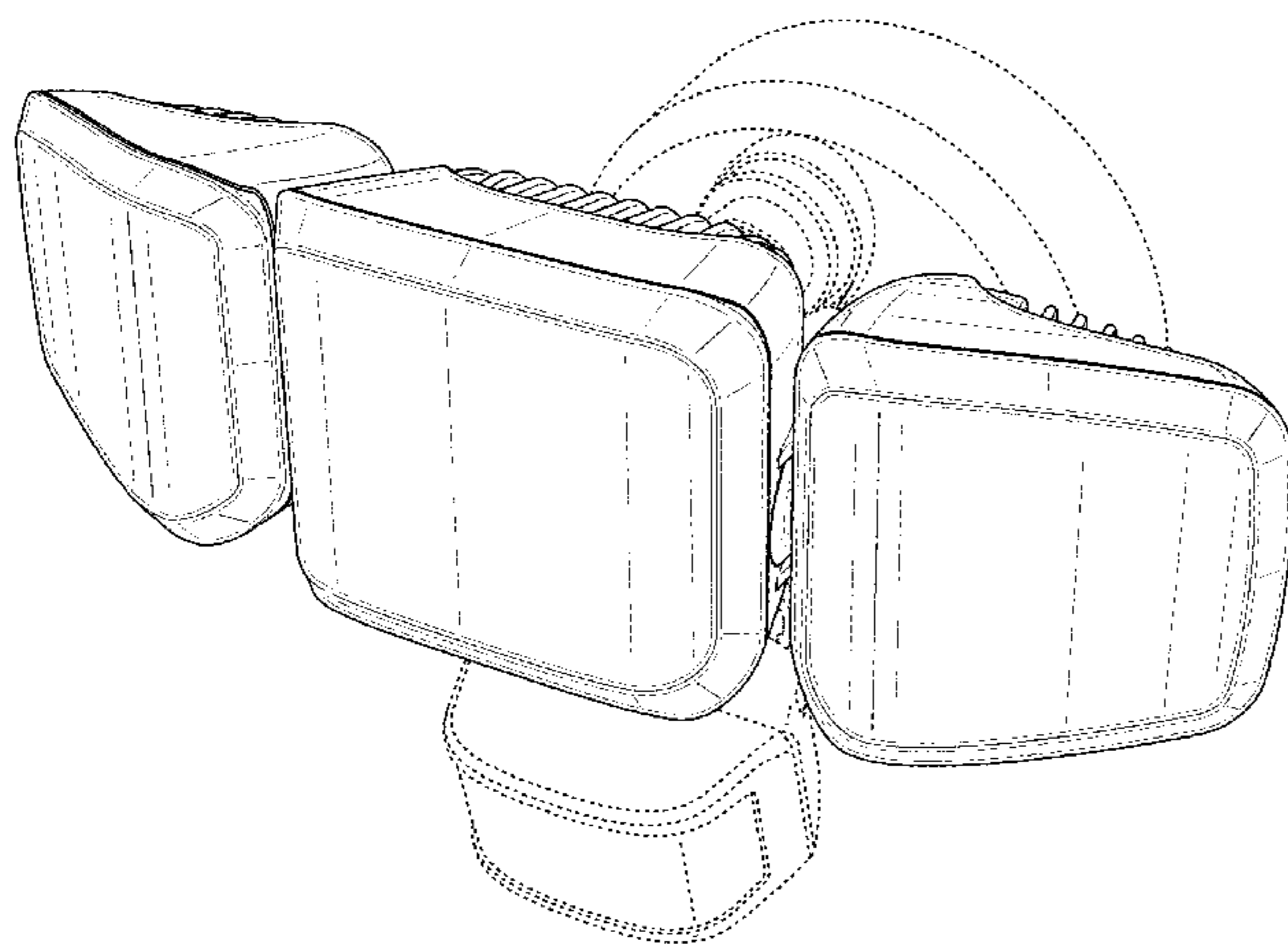
(57) **CLAIM**

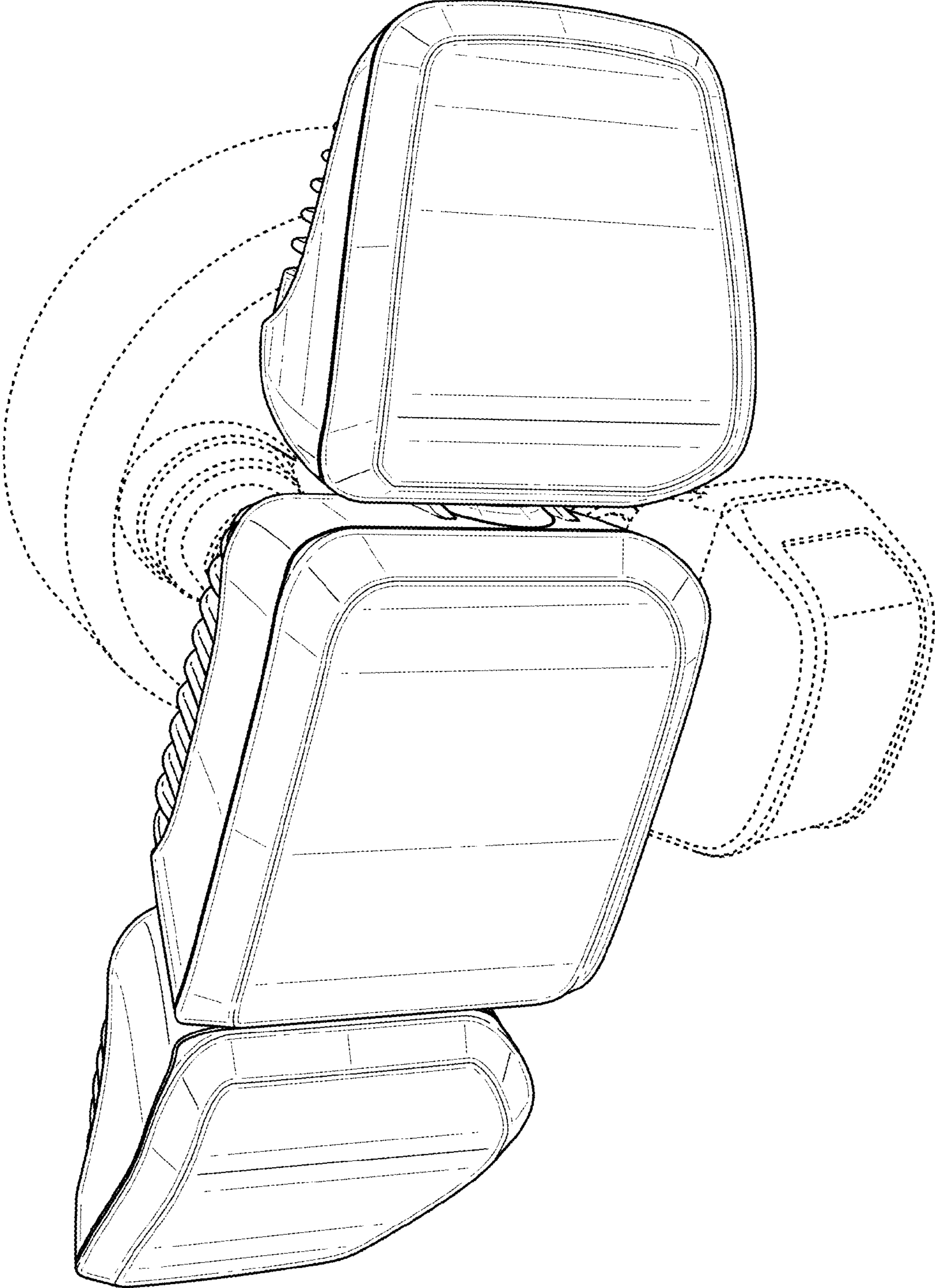
The ornamental design for a flood light, as shown and described.

**DESCRIPTION**

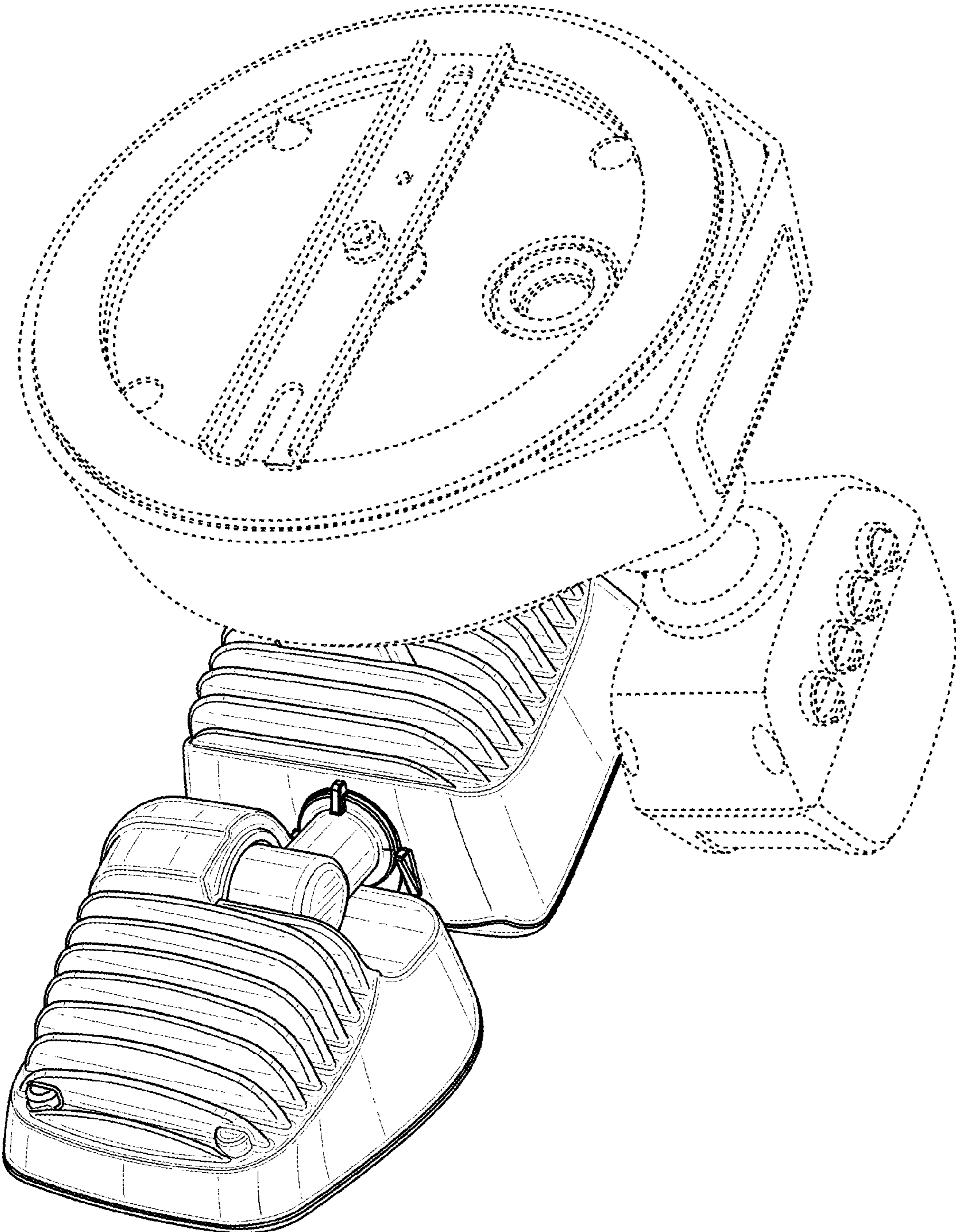
FIG. 1 is a top, front, right-side perspective view of a flood light;  
FIG. 2 is a bottom, back, right-side perspective view thereof;  
FIG. 3 is a front view thereof;  
FIG. 4 is a back view thereof;  
FIG. 5 is a left-side view thereof;  
FIG. 6 is a right-side view thereof;  
FIG. 7 is a top view thereof; and,  
FIG. 8 is a bottom view thereof.  
The dashed broken lines depict portions of the flood light that form no part of the claimed design.

**1 Claim, 8 Drawing Sheets**

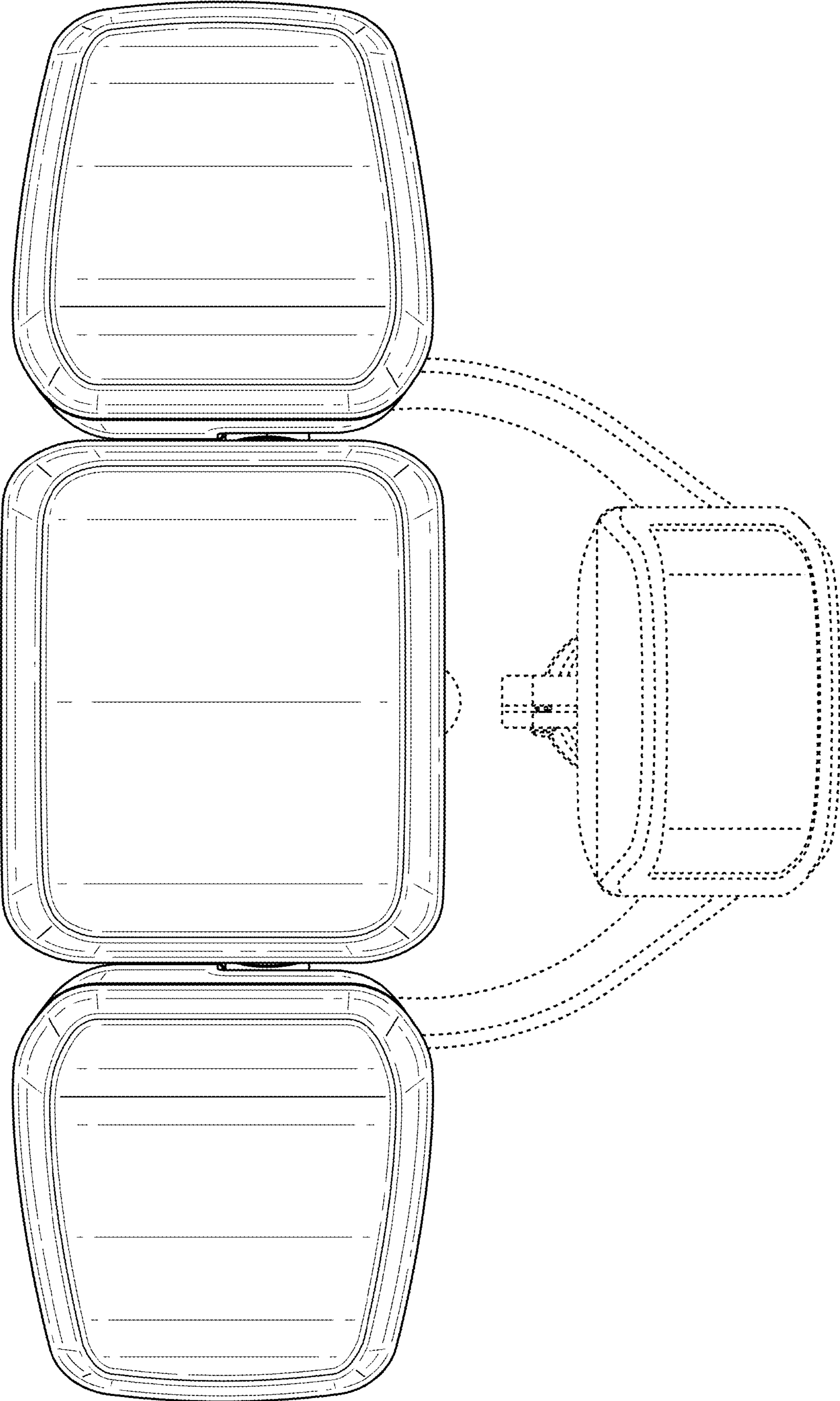




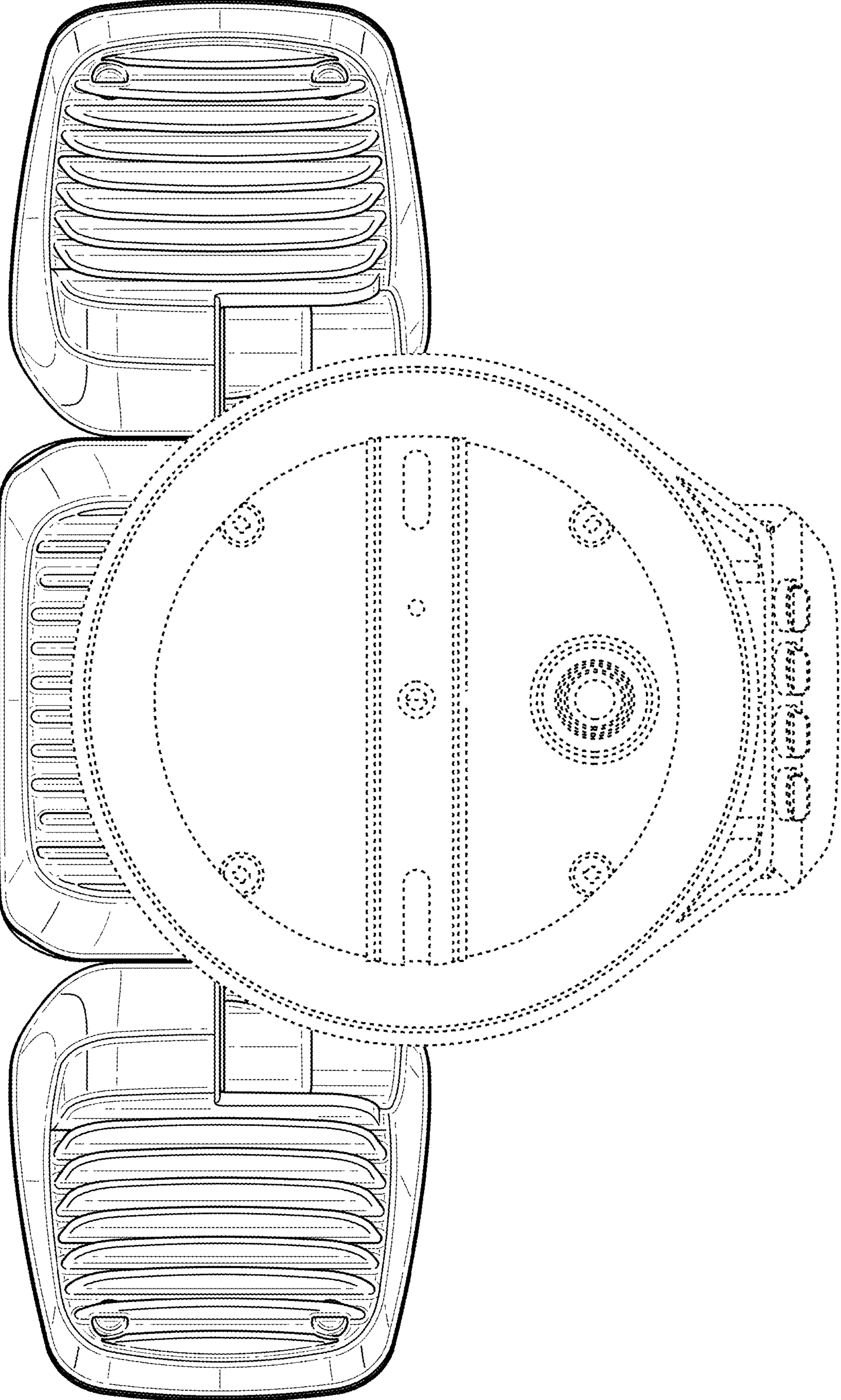
**FIG. 1**



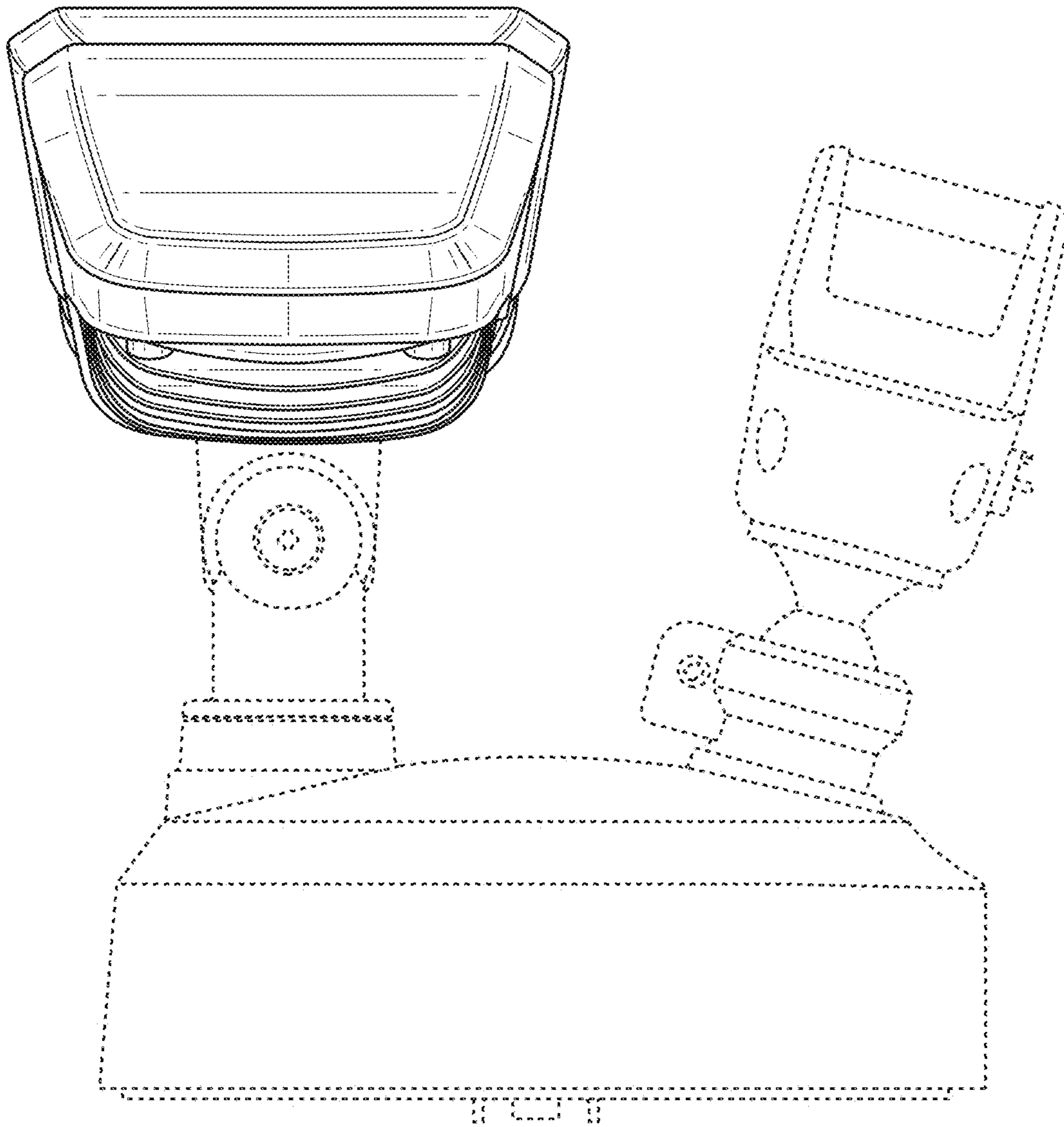
**FIG. 2**



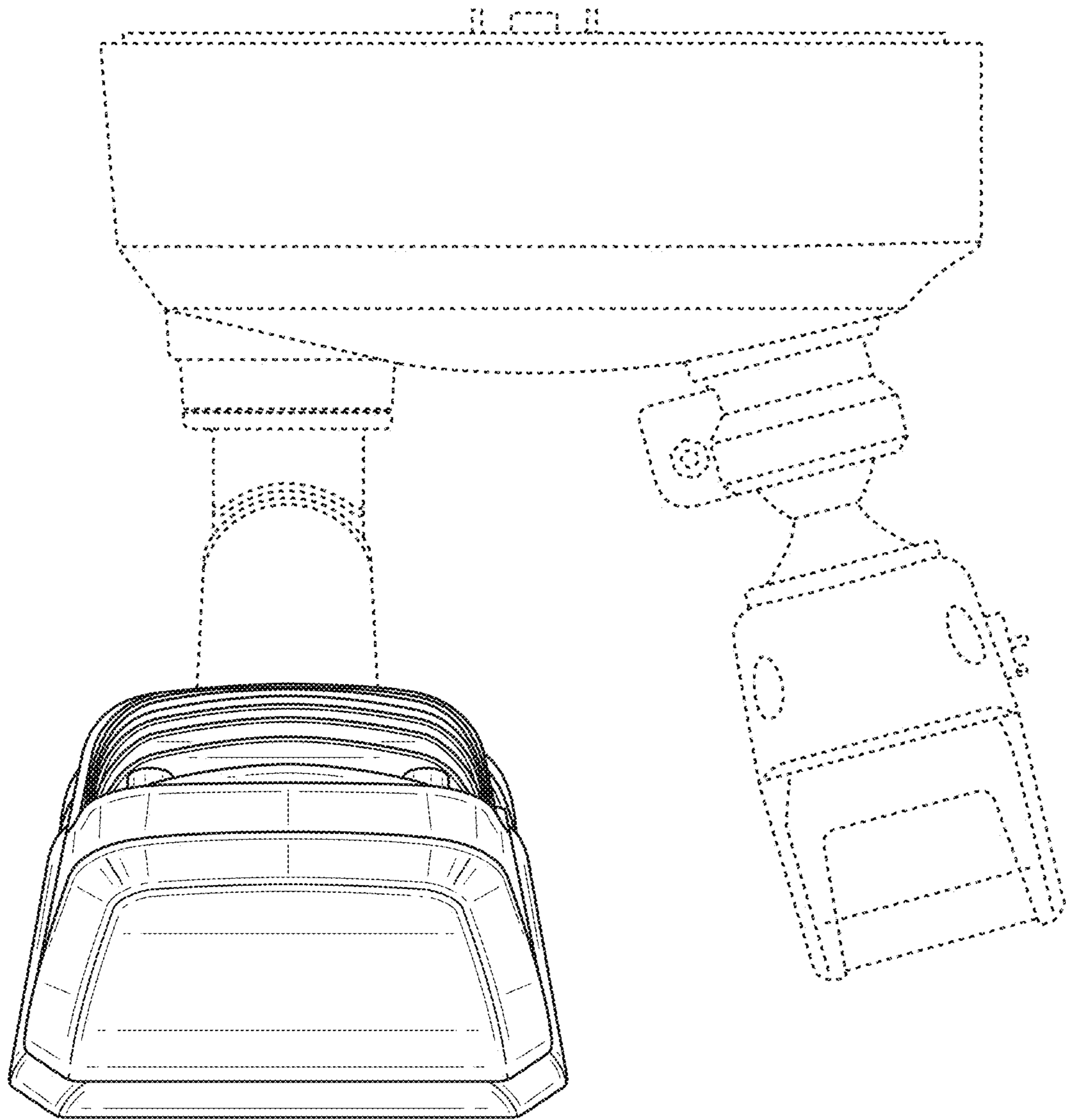
**FIG. 3**



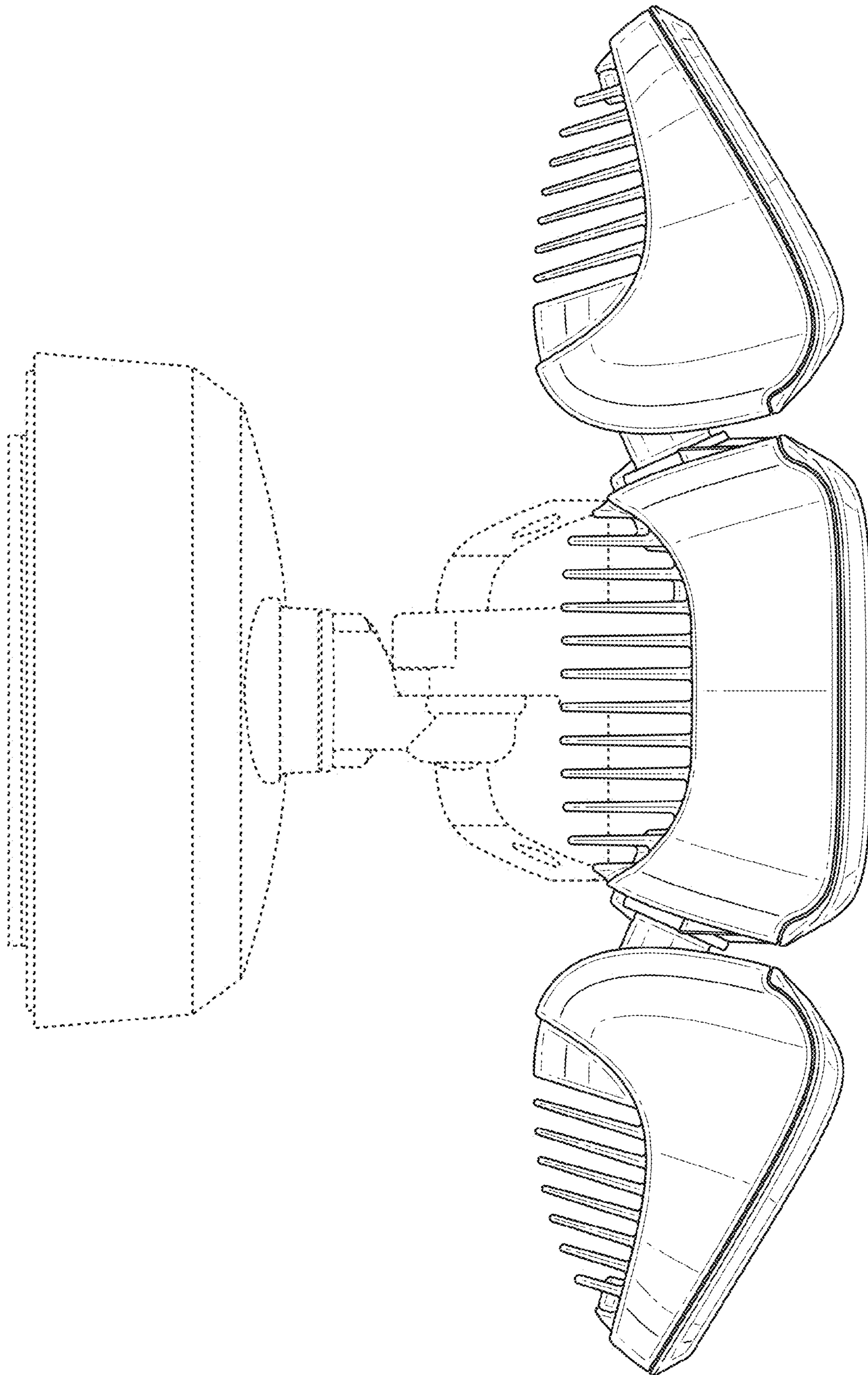
**FIG. 4**



**FIG. 5**

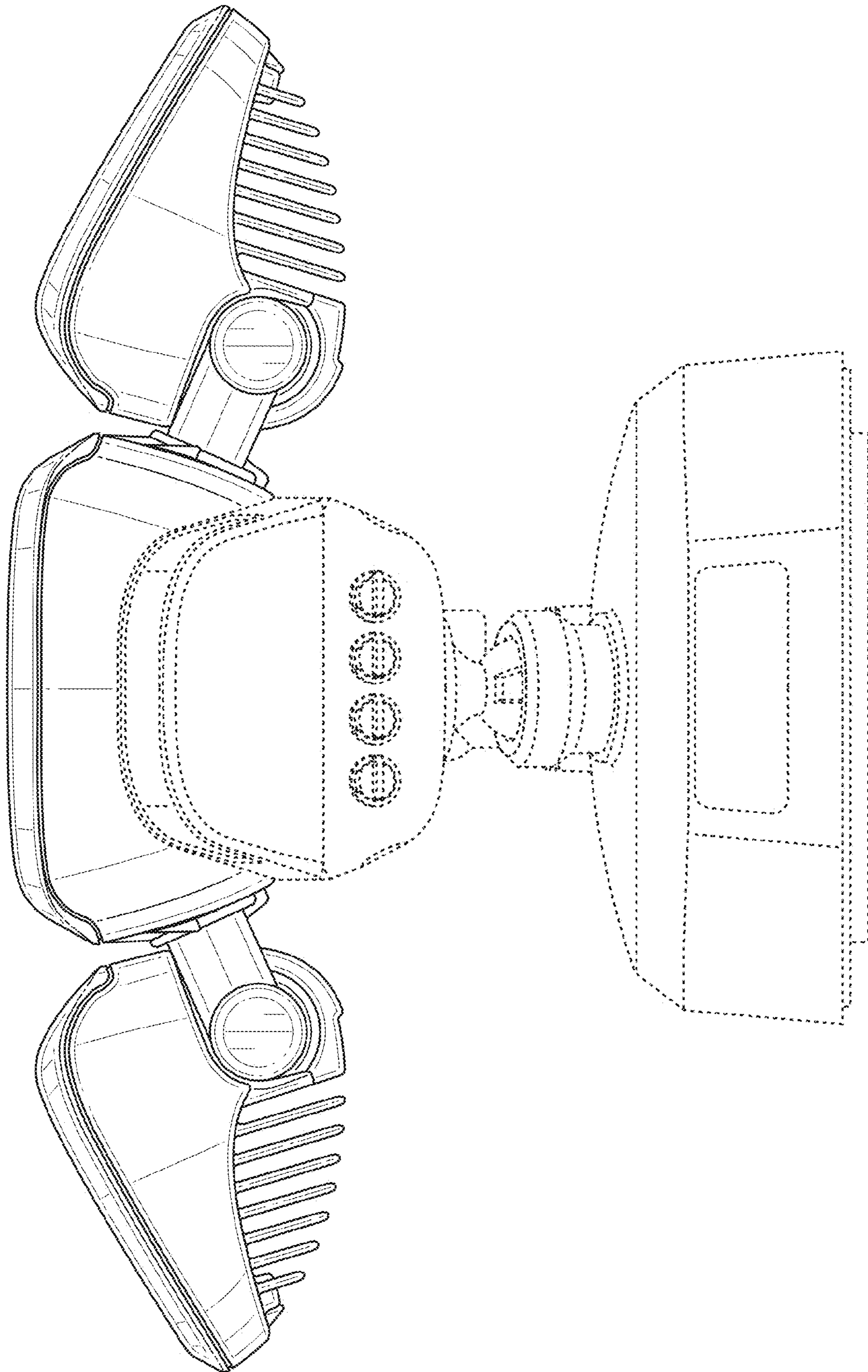


**FIG. 6**



**FIG. 7**





**FIG. 8**