

US00D922643S

(12) **United States Design Patent**
Huang

(10) **Patent No.:** **US D922,643 S**
(45) **Date of Patent:** **** Jun. 15, 2021**

- (54) **HEADBOARD READING LIGHT**
- (71) Applicant: **SUNLIT TRADING INTERNATIONAL CO., LIMITED**,
Sheung Wan (HK)
- (72) Inventor: **Min Huang**, Guangzhou (CN)
- (**) Term: **15 Years**
- (21) Appl. No.: **29/741,516**
- (22) Filed: **Jul. 14, 2020**
- (51) **LOC (13) Cl.** **26-03**
- (52) **U.S. Cl.**
USPC **D26/60**
- (58) **Field of Classification Search**
USPC D26/60, 62
CPC F21W 2131/30; F21W 2121/00; F21V 21/0088; F21V 21/02; F21S 6/00; F21S 6/002; F21S 6/003; F21S 6/004; F21S 6/005; F21S 6/006; F21S 6/007
See application file for complete search history.

- D560,014 S 1/2008 Lammel et al.
- D618,386 S * 6/2010 Nelson D26/62
- D648,883 S * 11/2011 Levine D26/60
- D773,089 S * 11/2016 Glass F21S 6/003
D26/62
- D776,850 S * 1/2017 Hodgson D26/62
- 9,772,102 B1 * 9/2017 Ferguson F21V 21/096
- D872,924 S * 1/2020 Greenwaldt D26/62

* cited by examiner

Primary Examiner — Brian N. Vinson

(57) **CLAIM**

The ornamental design for a headboard reading light, as shown and described.

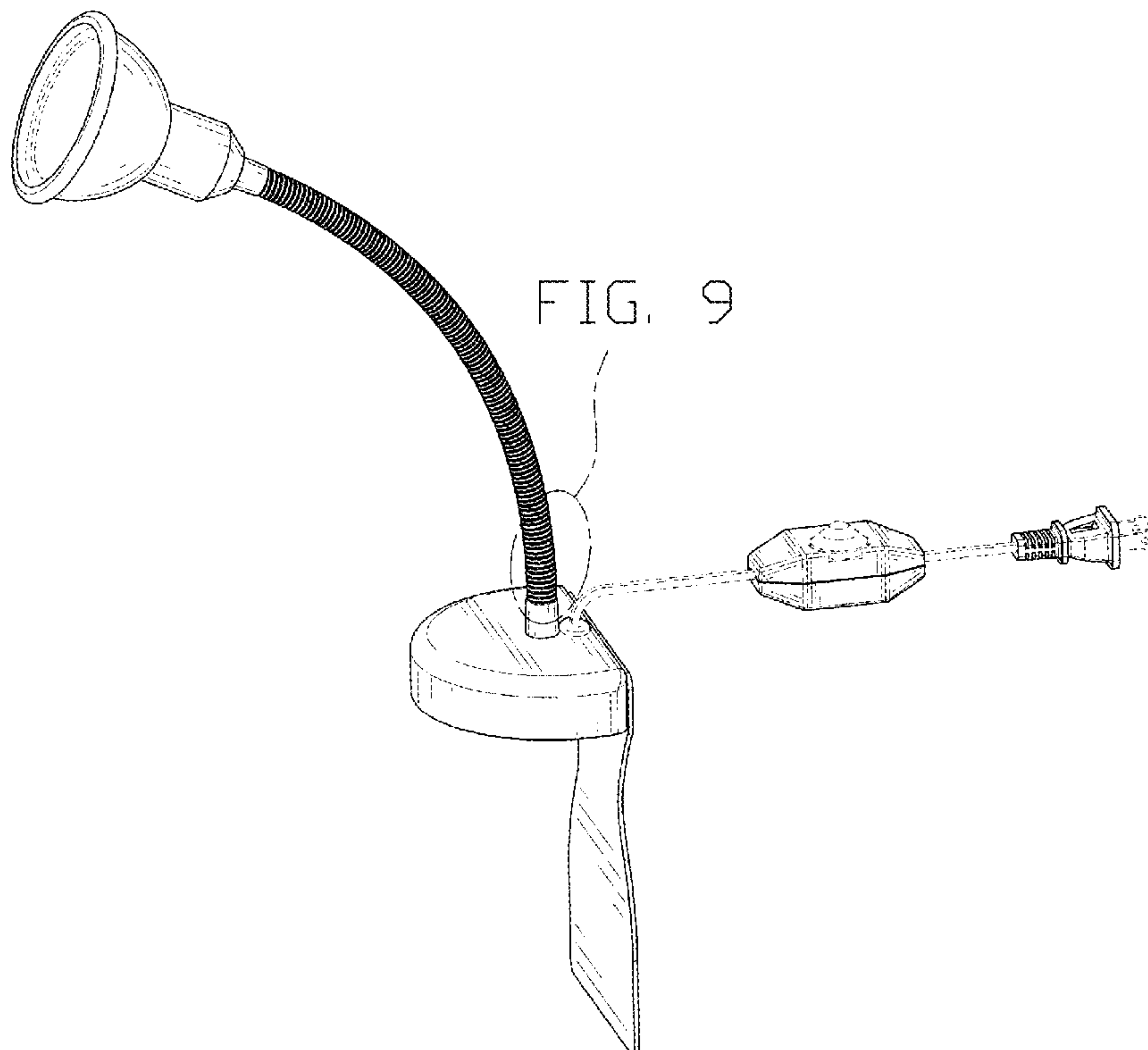
DESCRIPTION

FIG. 1 is a front and top perspective view of a headboard reading light, showing my new design;
 FIG. 2 is a rear and bottom perspective view thereof;
 FIG. 3 is a front elevational view thereof;
 FIG. 4 is a rear elevational view thereof;
 FIG. 5 is a left side elevational view thereof;
 FIG. 6 is a right side elevational view thereof;
 FIG. 7 is a top plan view thereof;
 FIG. 8 is a bottom plan view thereof; and,
 FIG. 9 is an enlarged view of a portion labeled, 'FIG. 9' in FIG. 1.

The dashed broken lines in the figures illustrate portions of the article that form no part of the claimed design. The dash dot dash lines in FIGS. 1 and 9 are for the purpose of depicting the cut line of the enlarged view and form no part of the claim.

1 Claim, 9 Drawing Sheets

- (56) **References Cited**
U.S. PATENT DOCUMENTS
- 4,238,816 A * 12/1980 Merlo F21S 6/003
362/279
- D312,885 S * 12/1990 Louis D26/60
- D390,989 S * 2/1998 Zeller D26/60
- D392,404 S * 3/1998 Brown D26/62
- D436,202 S * 1/2001 Chen D26/60
- D498,321 S * 11/2004 Terry D26/60



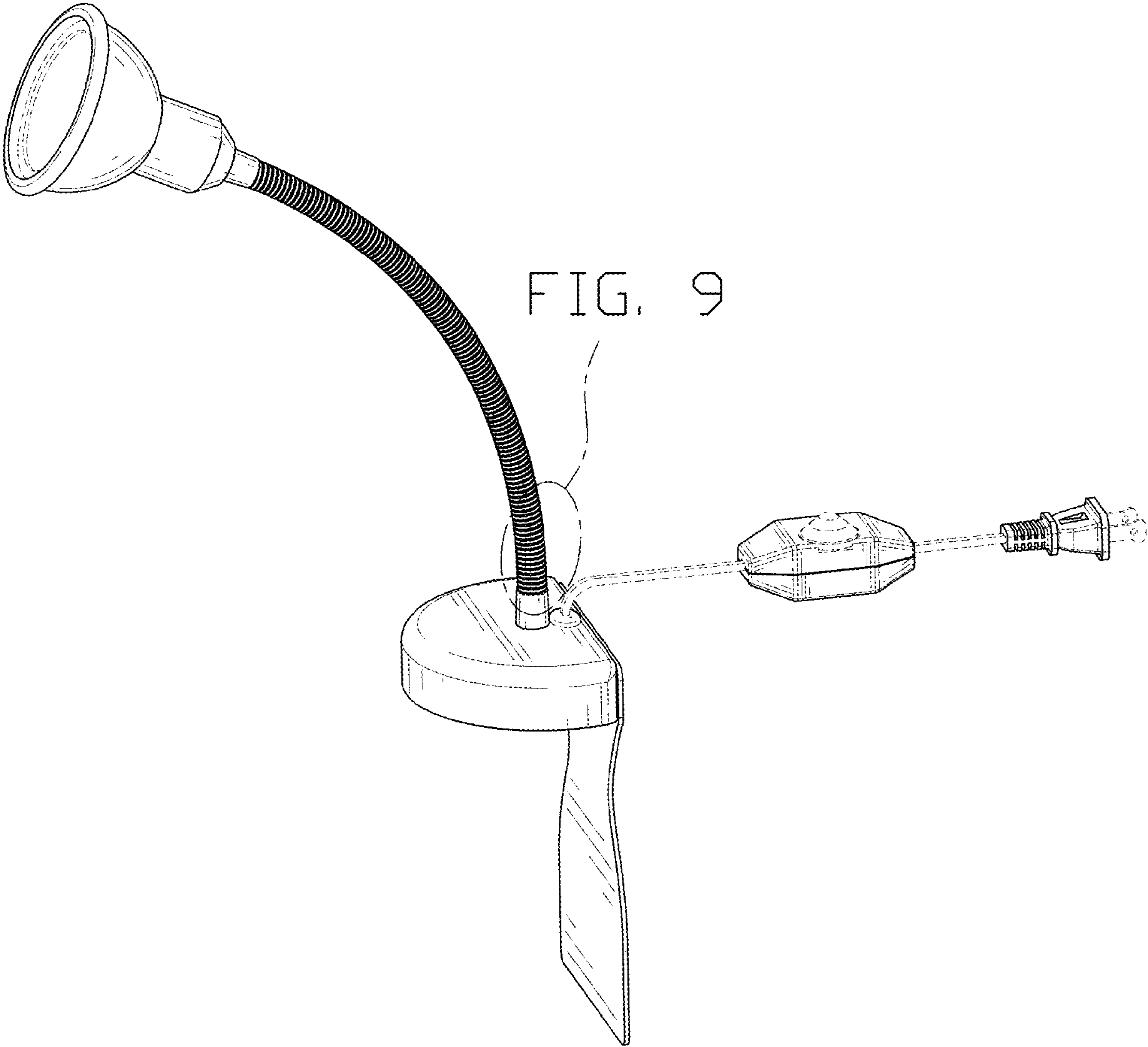


FIG. 1

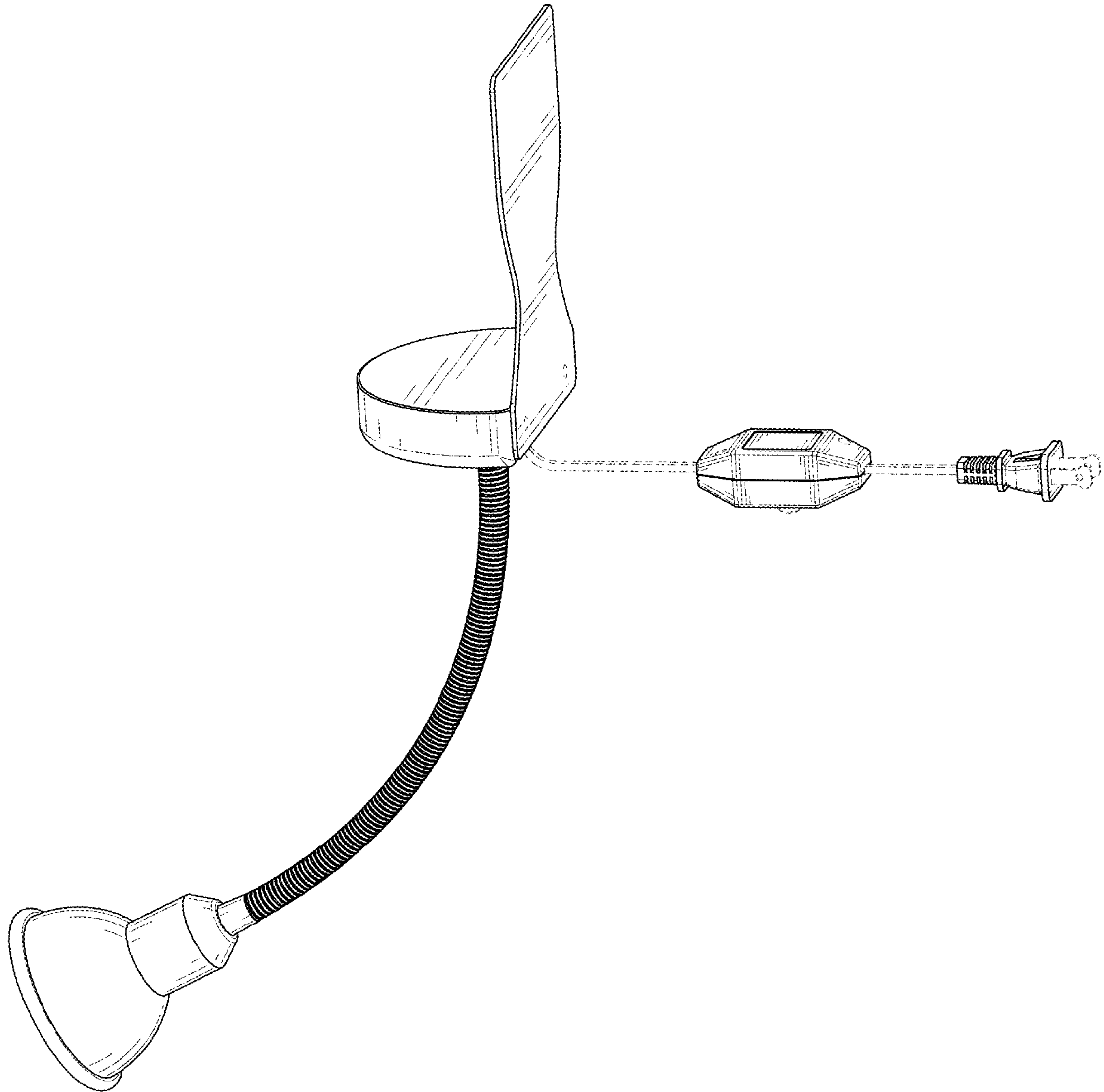


FIG. 2

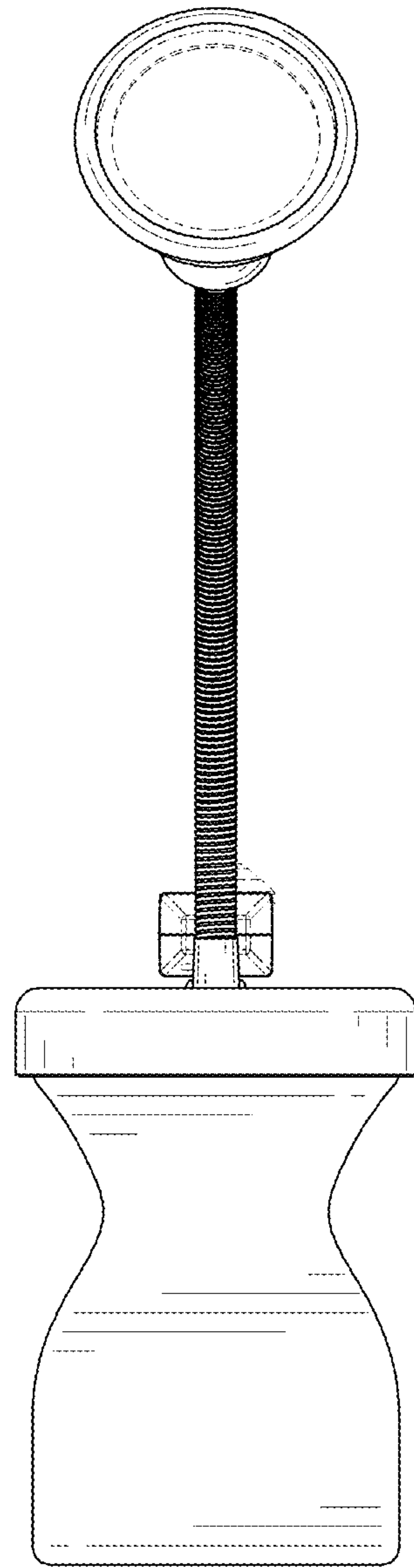


FIG. 3

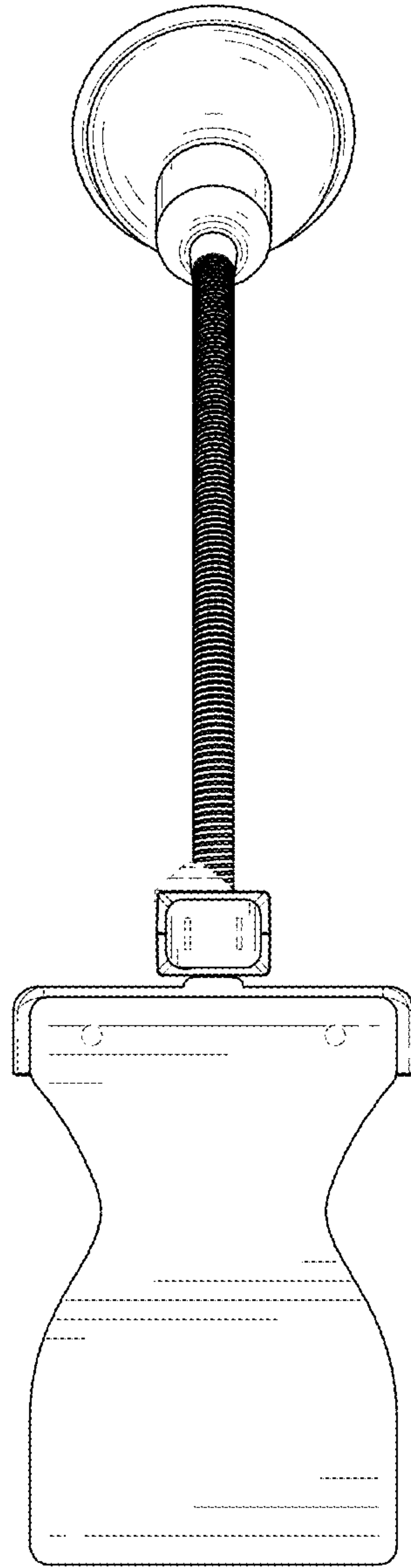


FIG. 4

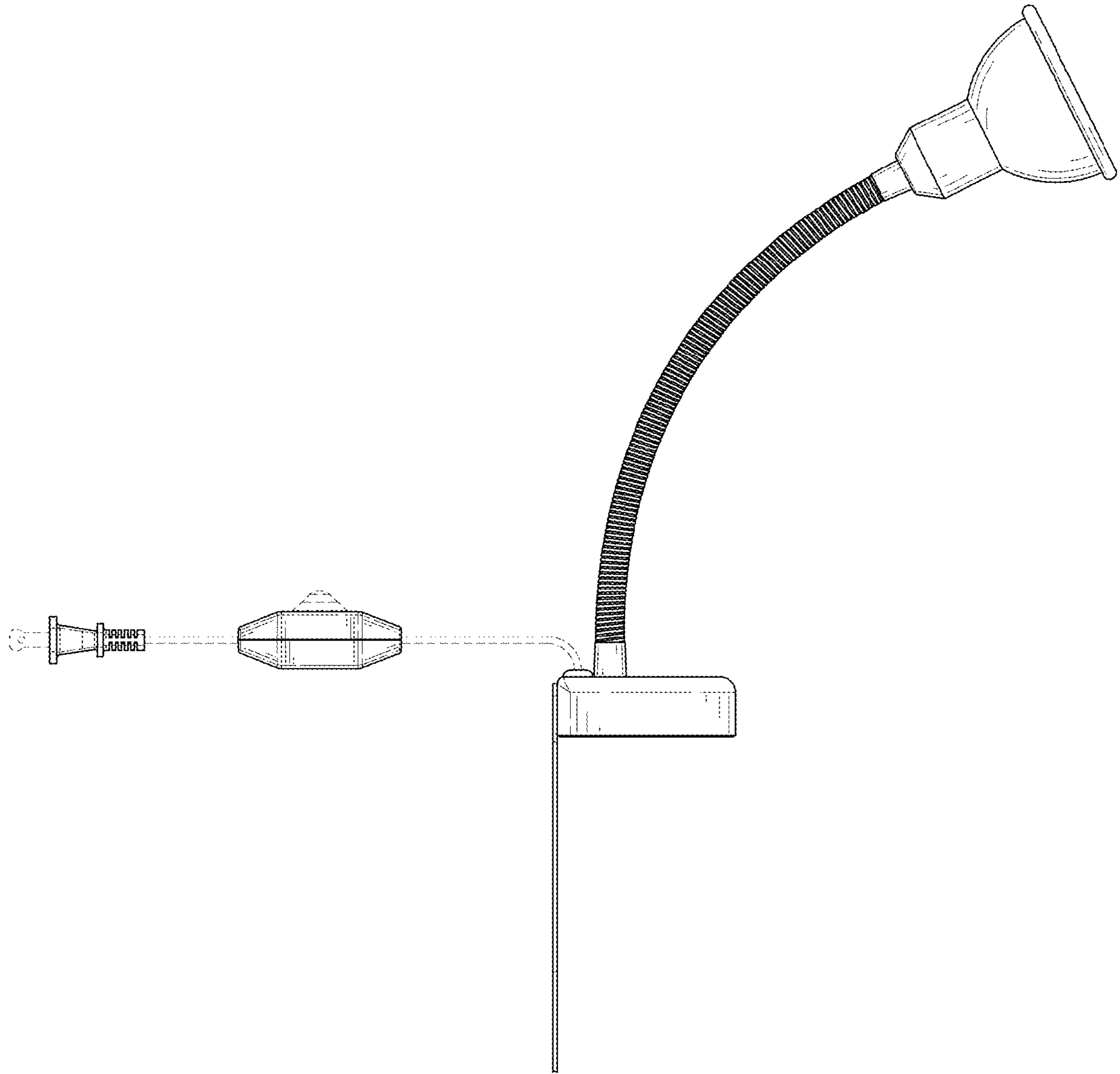


FIG. 5

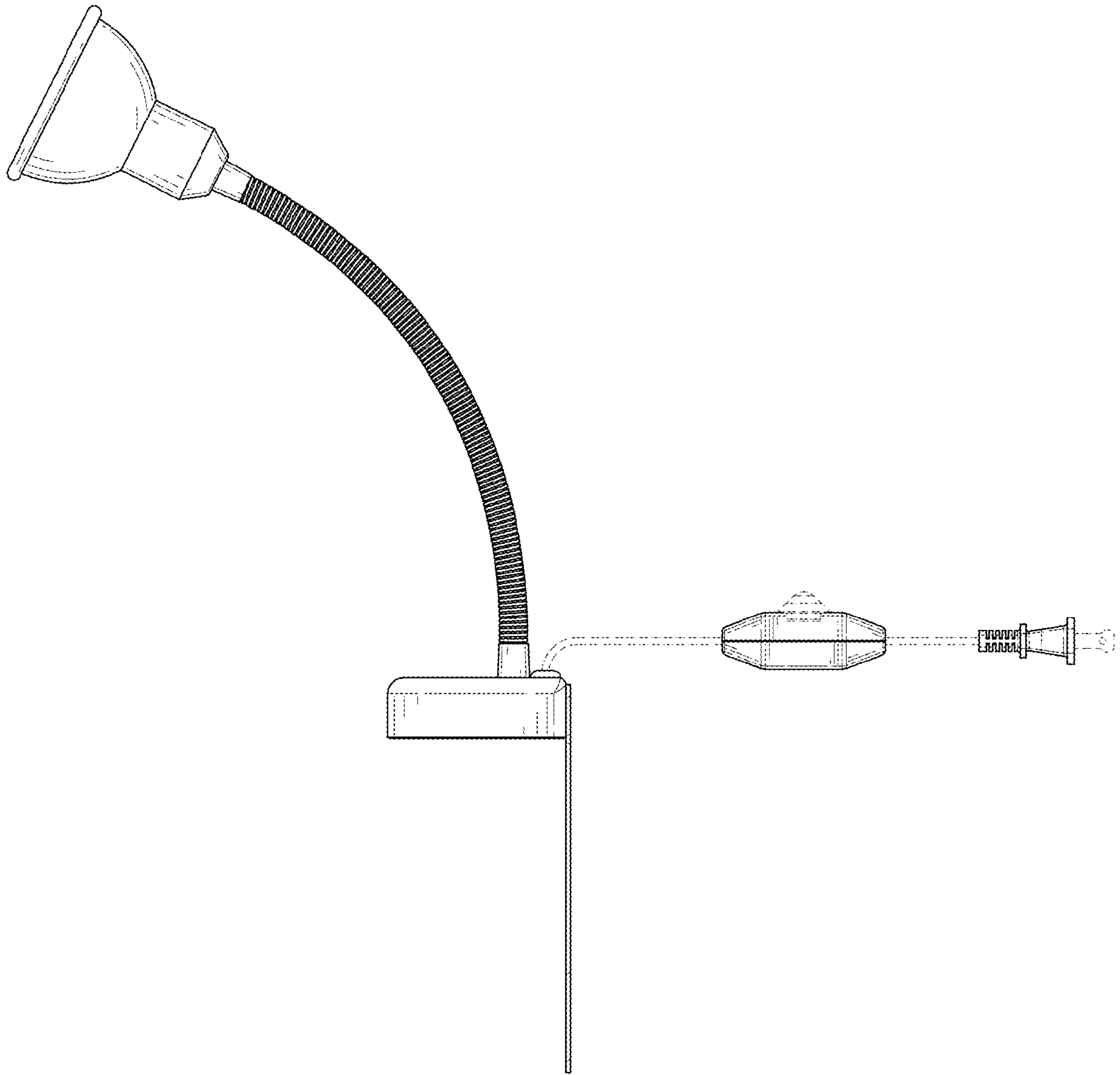


FIG. 6

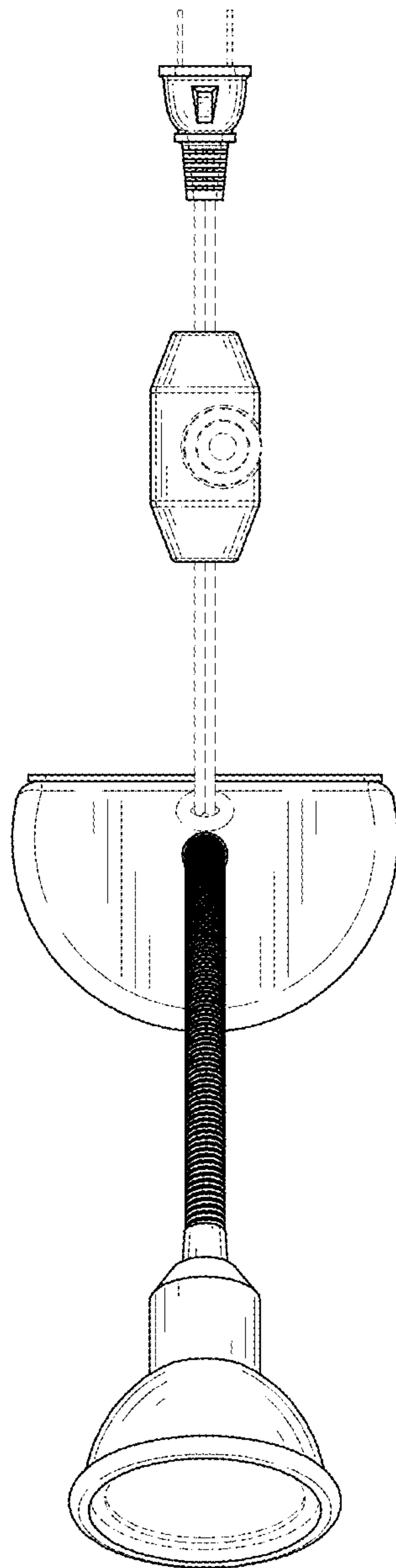


FIG. 7

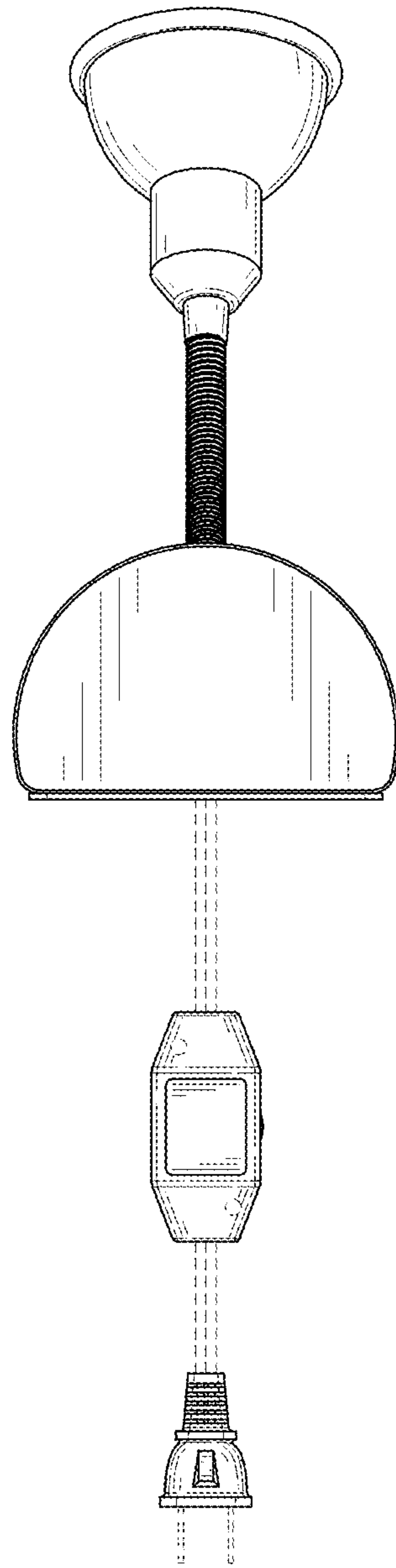


FIG. 8

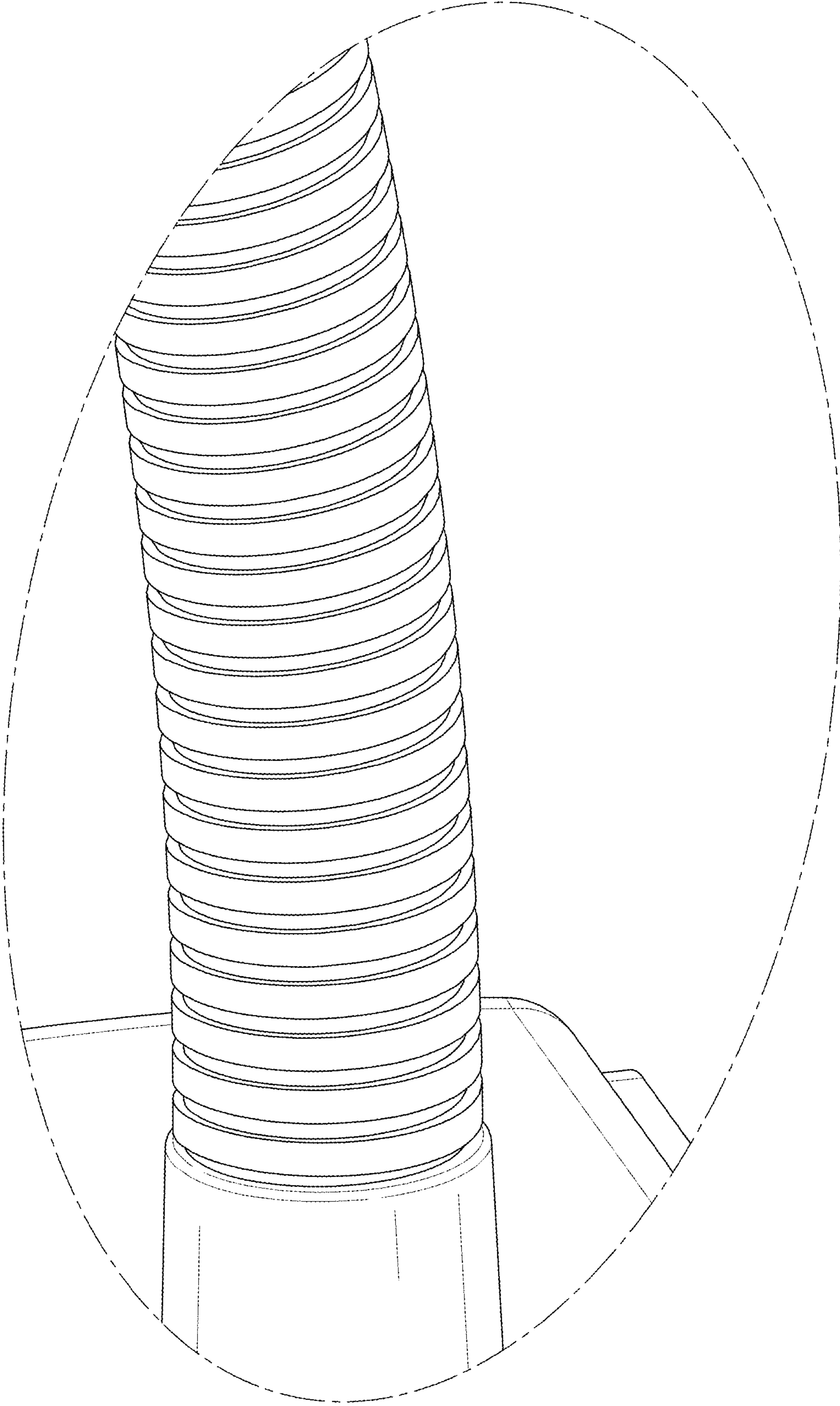


FIG. 9