



US00D922642S

(12) **United States Design Patent**  
**Hu**

(10) **Patent No.:** **US D922,642 S**

(45) **Date of Patent:** **\*\* Jun. 15, 2021**

(54) **FLASHLIGHT**

(71) Applicant: **Xianwen Hu**, Shenzhen (CN)

(72) Inventor: **Xianwen Hu**, Shenzhen (CN)

(\*\*) Term: **15 Years**

(21) Appl. No.: **29/764,395**

(22) Filed: **Dec. 30, 2020**

(51) **LOC (13) Cl.** ..... **26-02**

(52) **U.S. Cl.**  
USPC ..... **D26/49**

(58) **Field of Classification Search**  
USPC ..... D26/37-51  
CPC ..... F21L 4/00; F21L 4/02; F21L 4/04; F21L 4/08; F21L 4/025; F21L 4/027; F21L 7/00; F21L 11/00; F21L 13/00; F21L 13/04; F21L 13/08; F21L 14/02; F21L 17/00; F21L 19/00; F21L 25/00  
See application file for complete search history.

(56) **References Cited**

**U.S. PATENT DOCUMENTS**

D486,936 S *	2/2004	Shiu .....	D26/49
D504,530 S *	4/2005	Shiu .....	D26/37
D521,166 S *	5/2006	Yamamoto .....	D26/37
D525,733 S *	7/2006	Shiao .....	D26/37

D564,116 S *	3/2008	Linardos .....	D26/49
D596,328 S *	7/2009	Shiu .....	D26/49
D805,668 S	12/2017	Shirley et al.	
D875,287 S	2/2020	Inskeep et al.	

\* cited by examiner

*Primary Examiner* — Marcus A Jackson

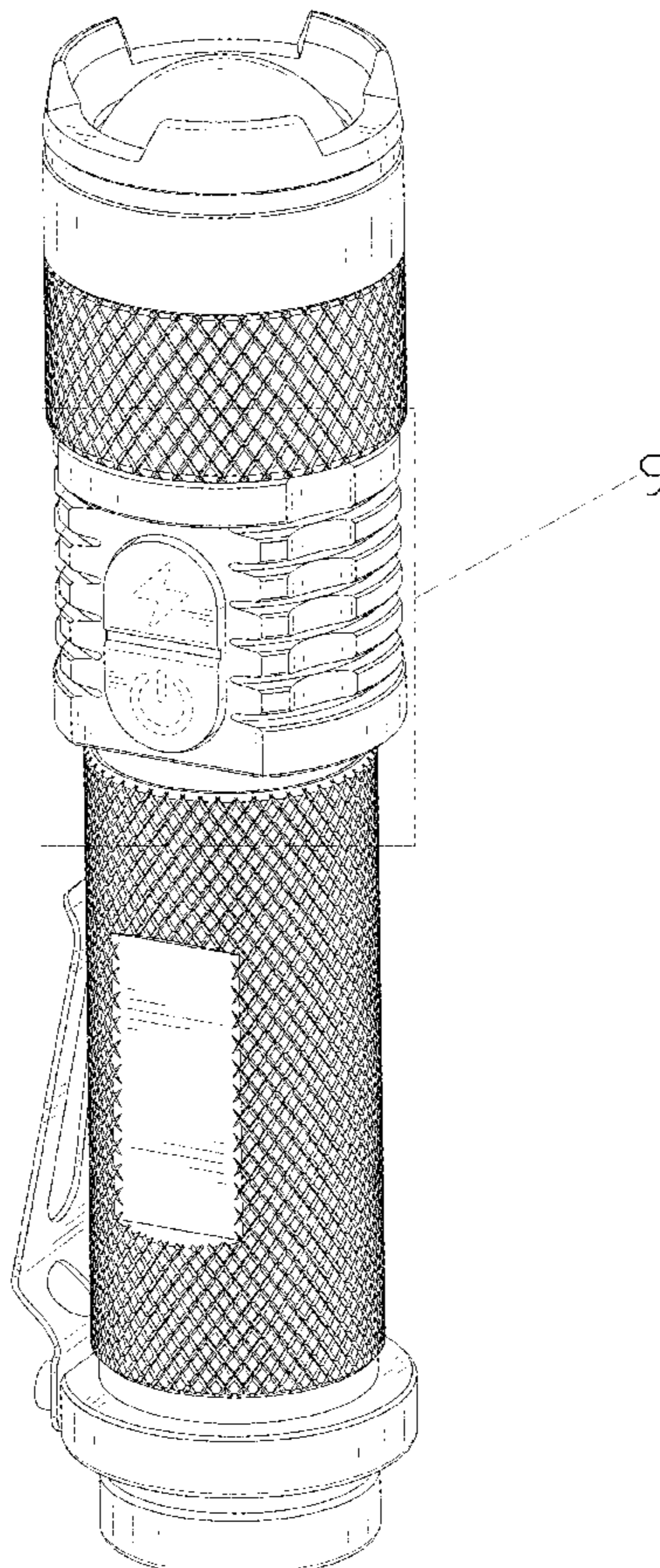
(57) **CLAIM**

The ornamental design for a flashlight, as shown and described.

**DESCRIPTION**

FIG. 1 is a perspective view of a flashlight showing my new design;  
FIG. 2 is another perspective view thereof;  
FIG. 3 is a front elevational view thereof;  
FIG. 4 is a rear elevational view thereof;  
FIG. 5 is a left side elevational view thereof;  
FIG. 6 is a right side elevational view thereof;  
FIG. 7 is a top plan view thereof;  
FIG. 8 is a bottom plan view thereof;  
FIG. 9 is an enlarged view of portion 9 shown in FIG. 1; and,  
FIG. 10 is an enlarged view of portion 10 shown in FIG. 3.  
The broken lines in the drawings depict portions of the flashlight that form no part of the claimed design.

**1 Claim, 10 Drawing Sheets**



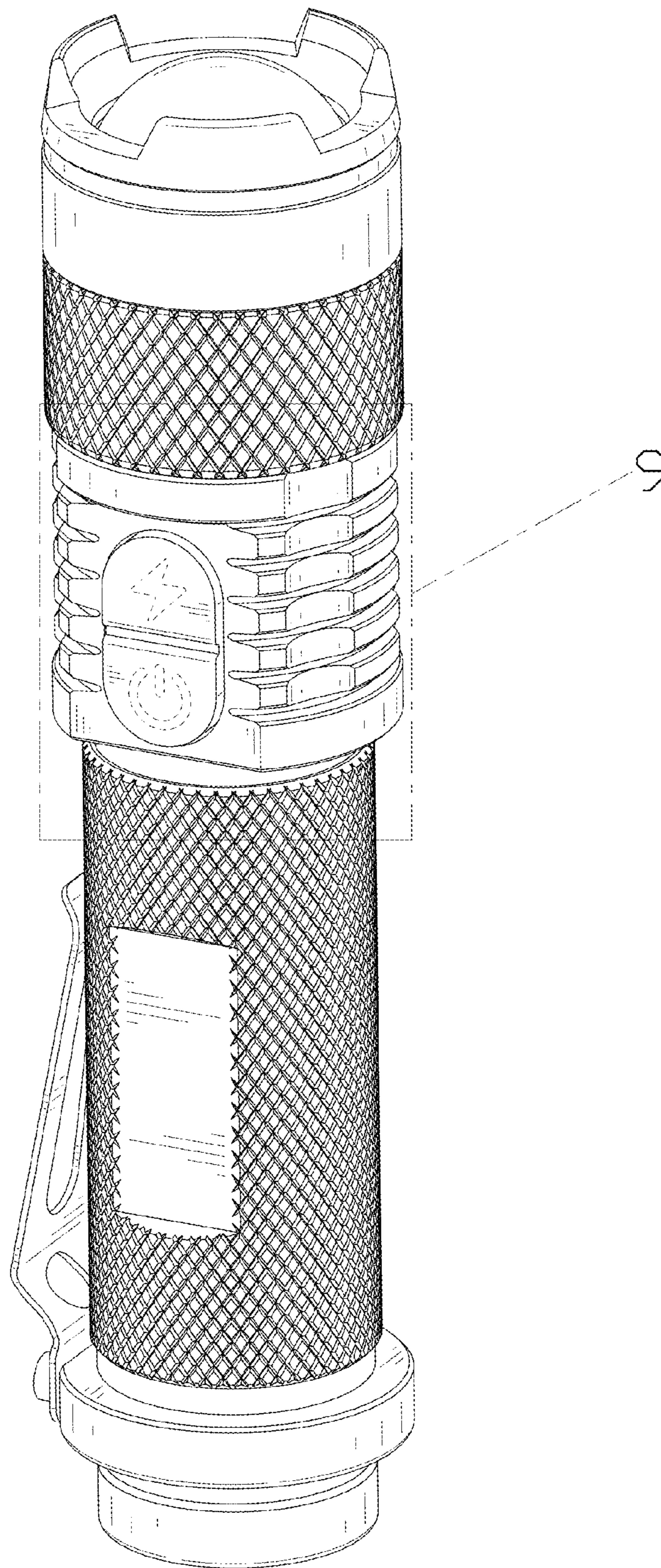


FIG. 1

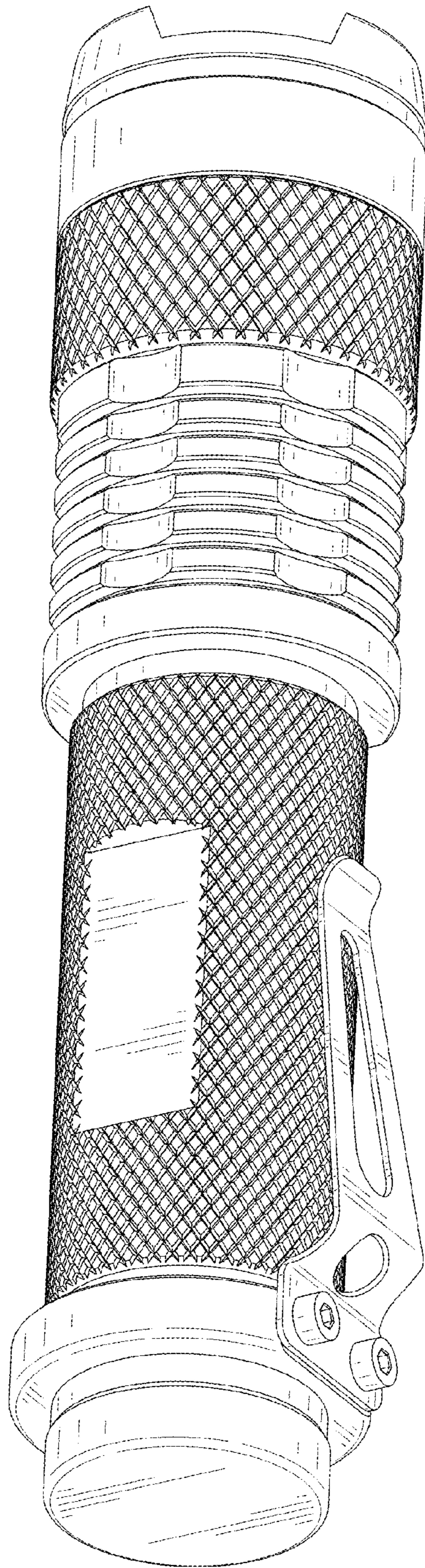


FIG. 2

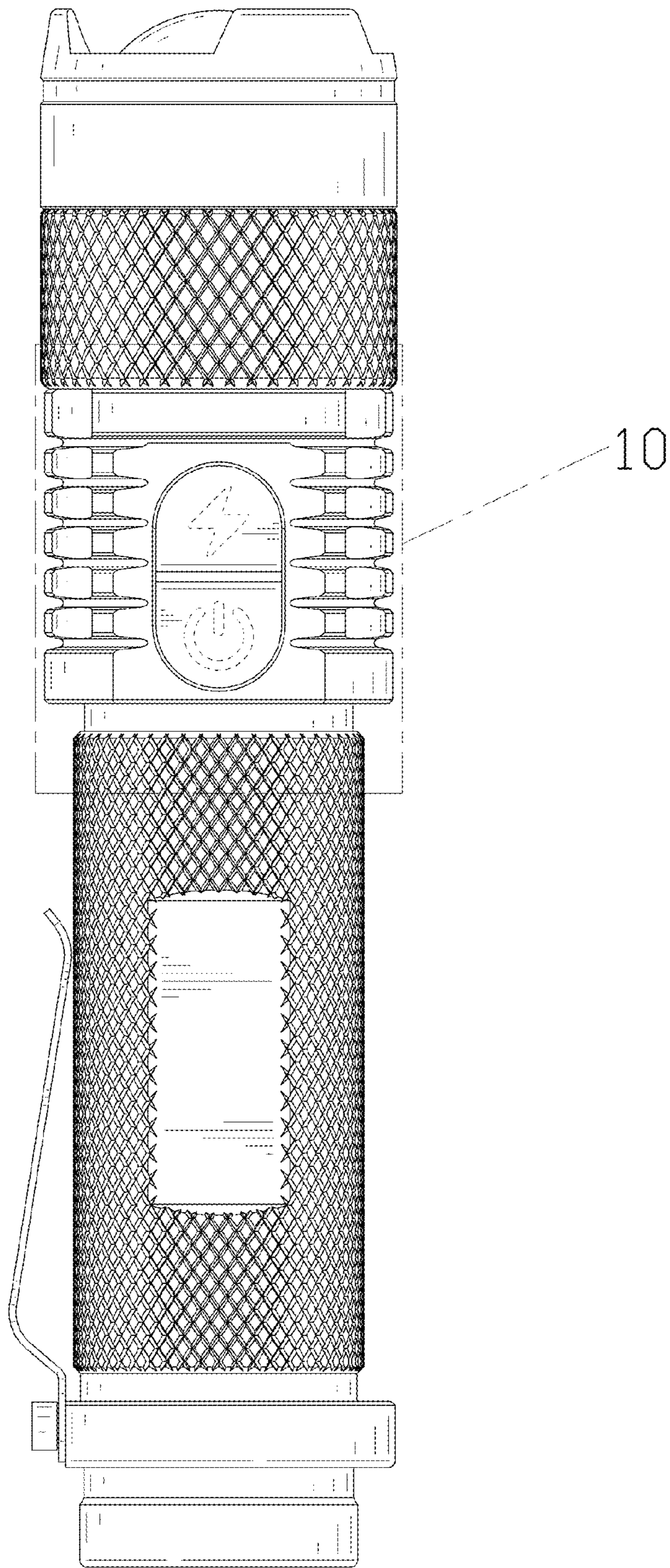


FIG. 3

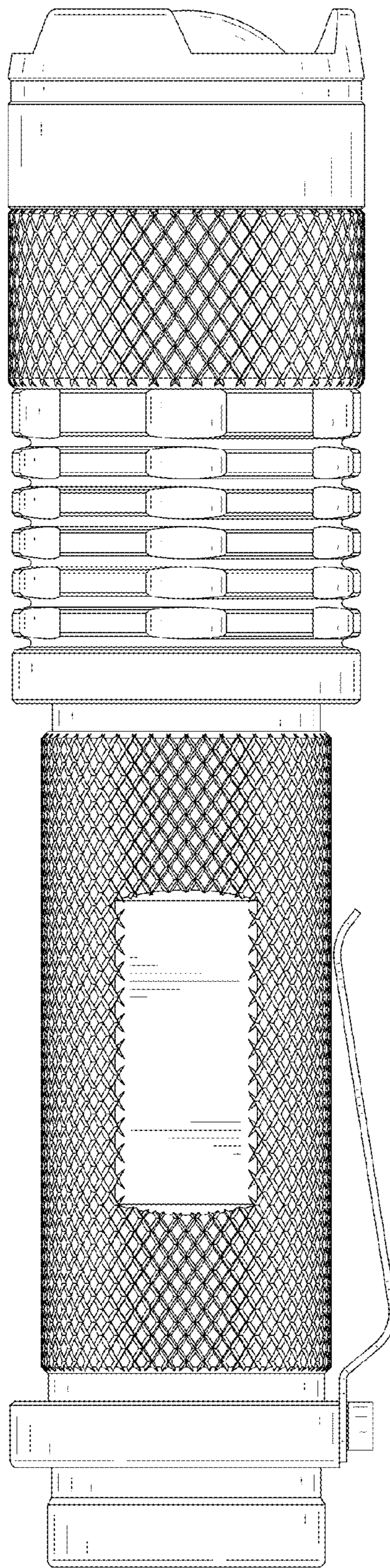


FIG. 4

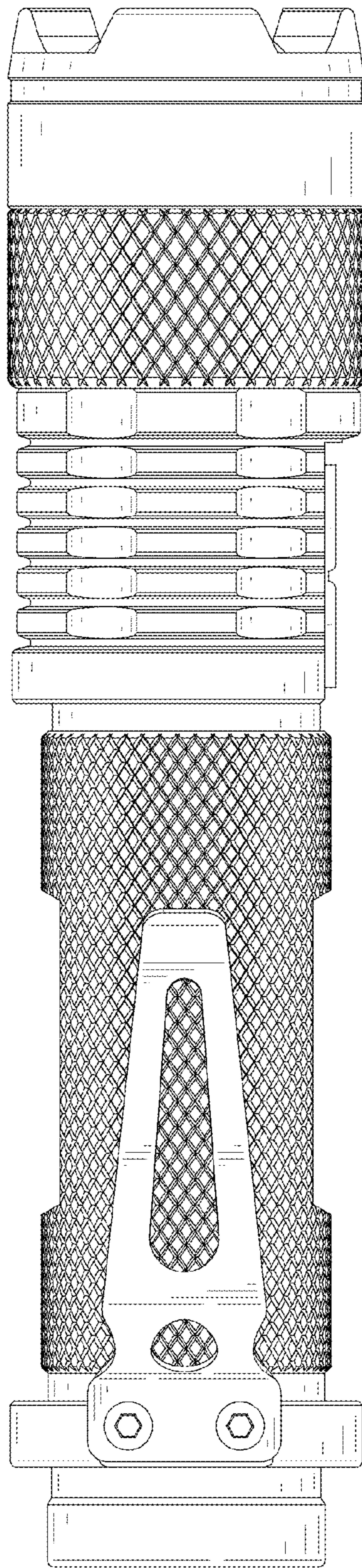


FIG. 5

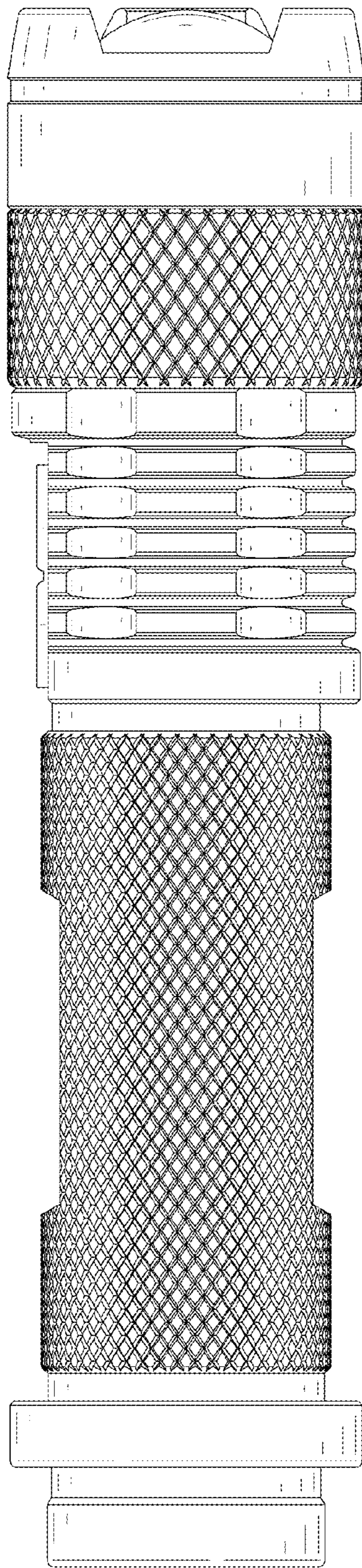


FIG. 6

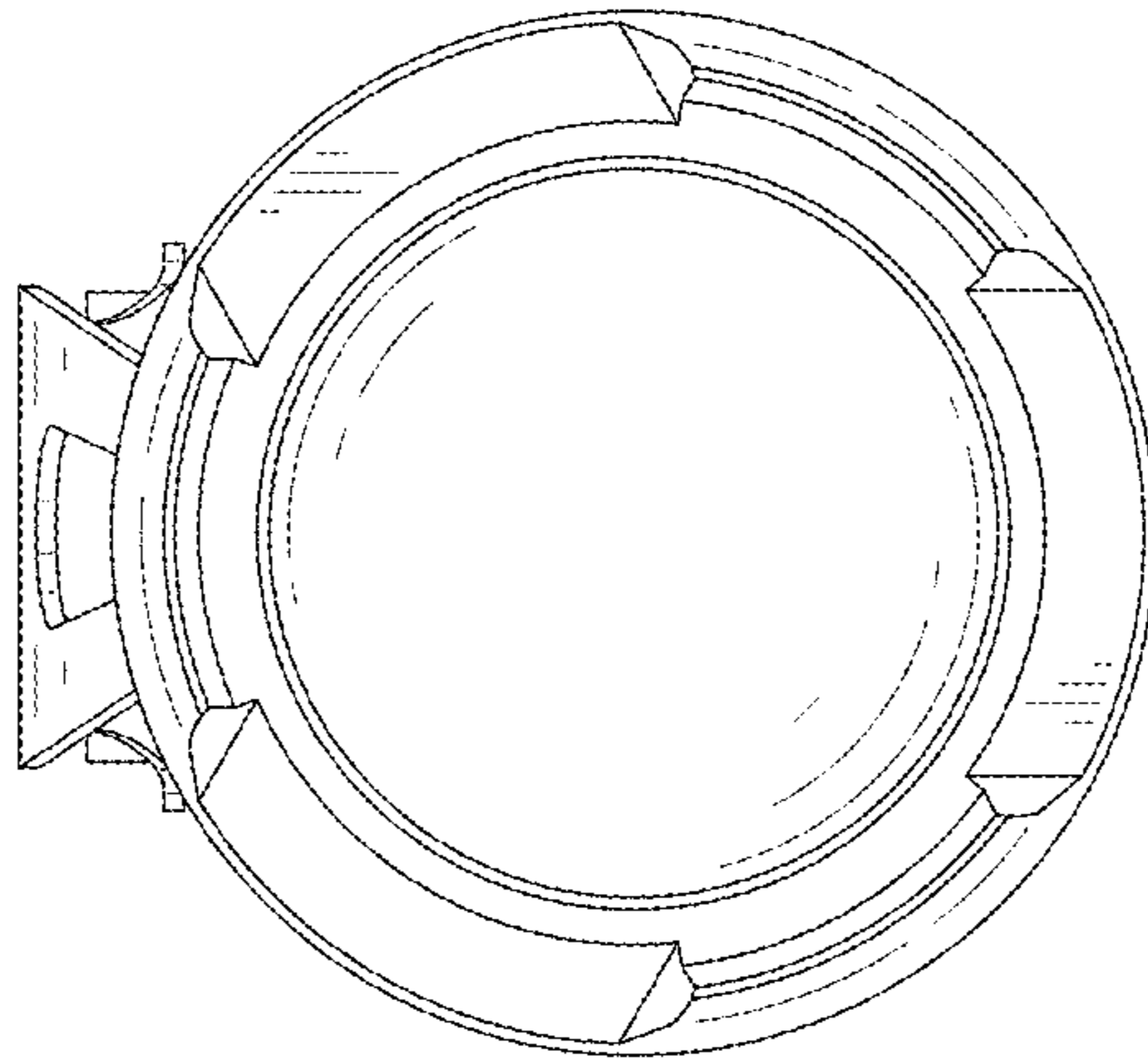


FIG. 7



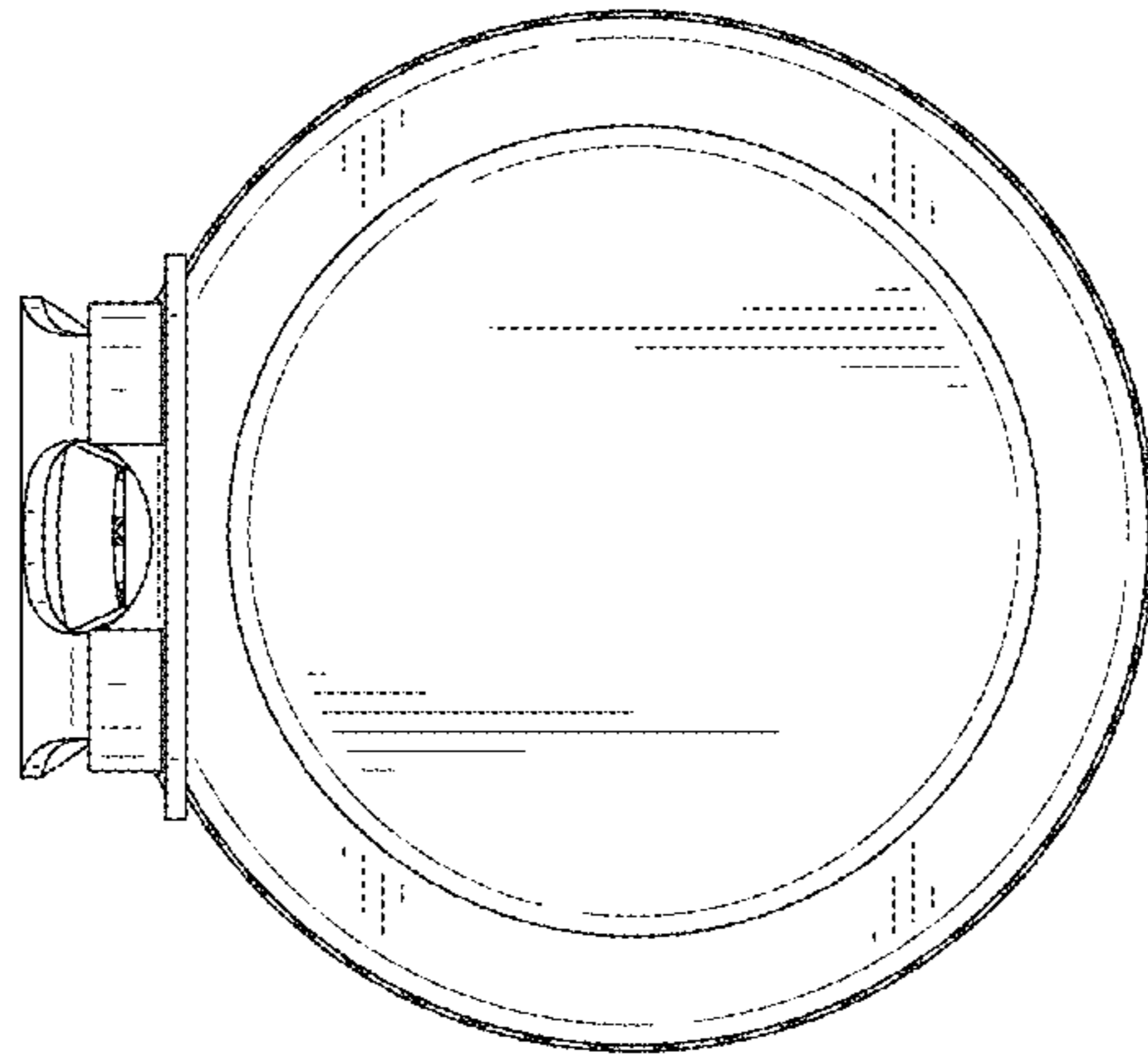


FIG. 8

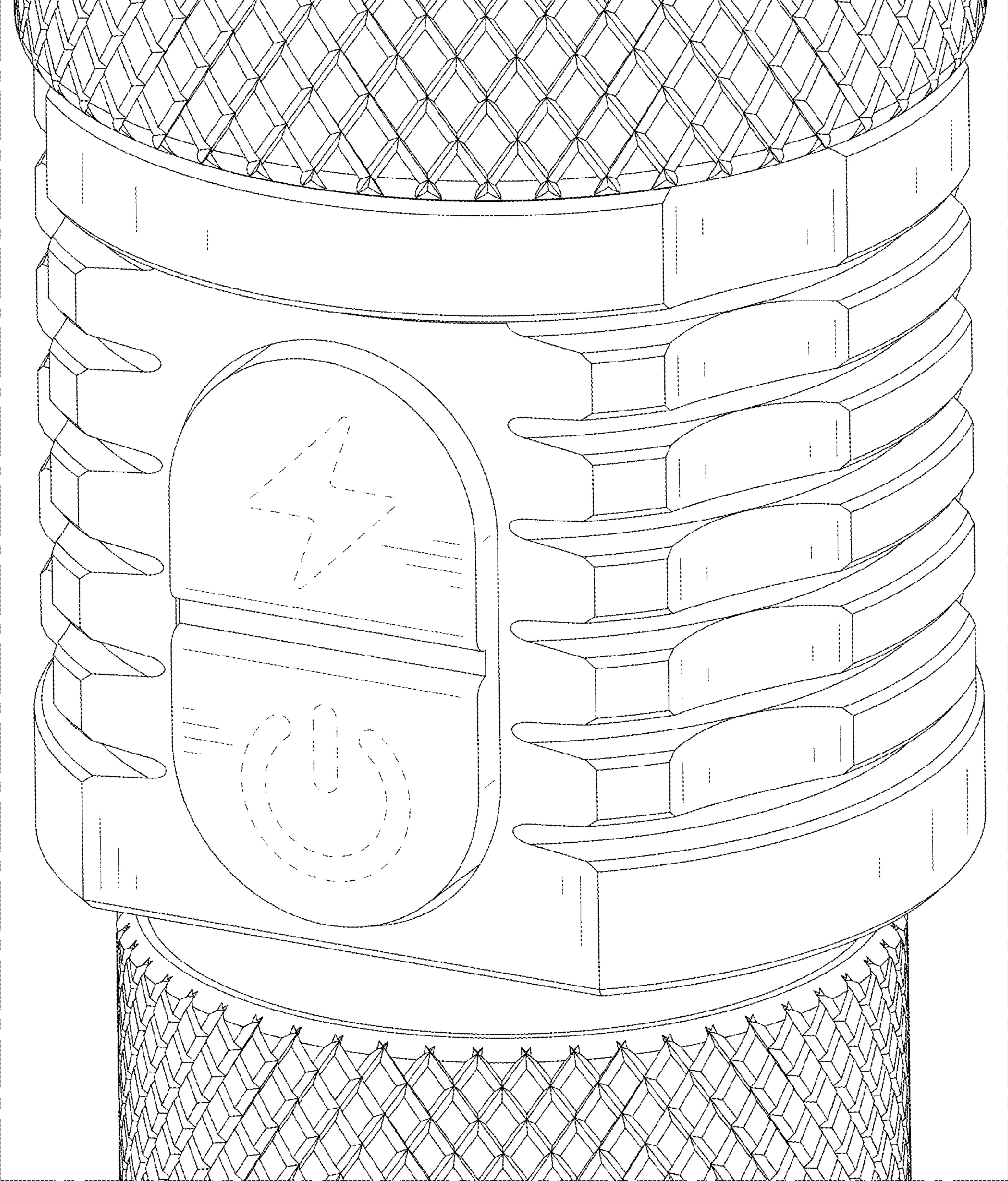


FIG. 9

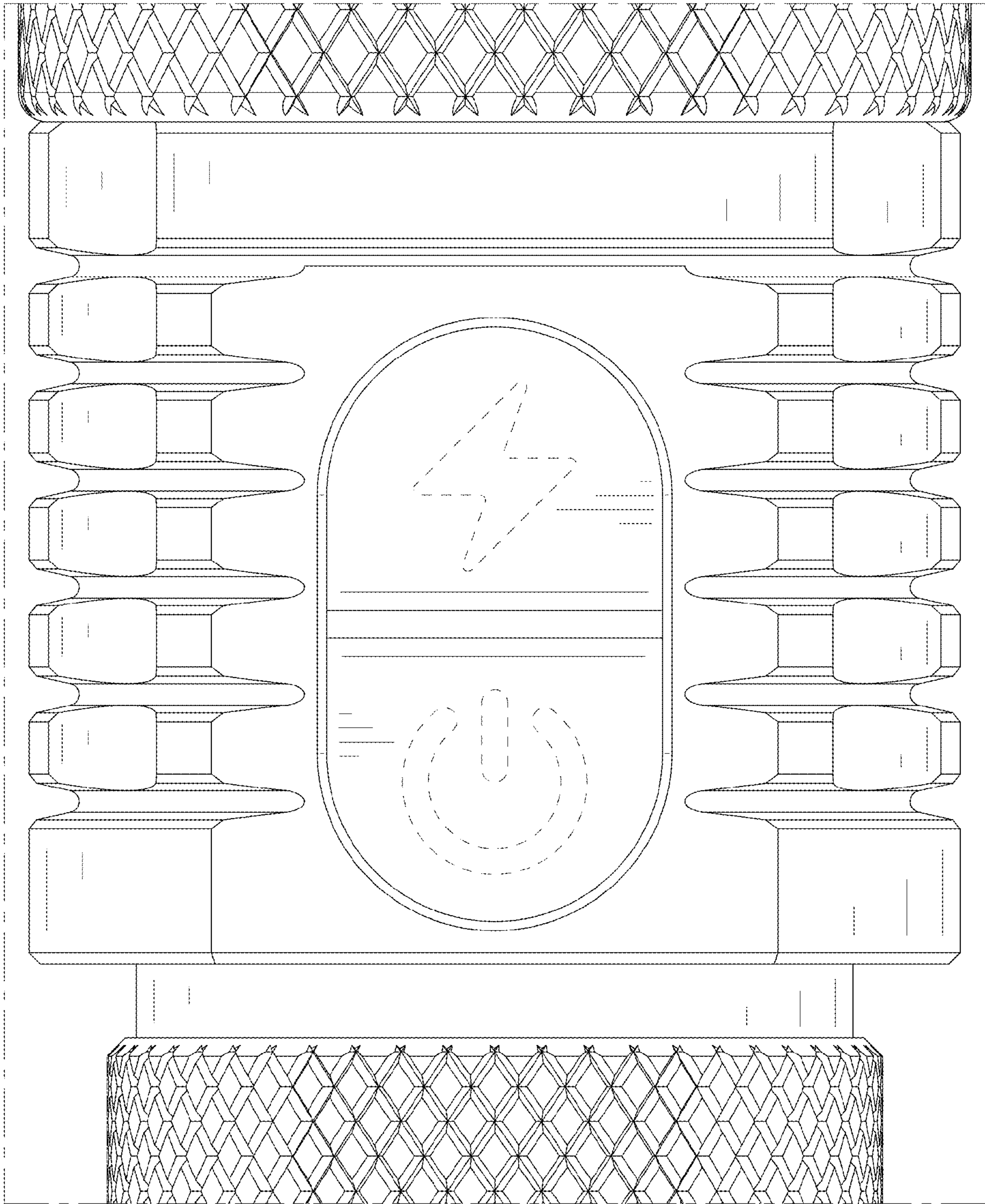


FIG. 10