



US00D922640S

(12) **United States Design Patent**
Lin

(10) **Patent No.:** **US D922,640 S**

(45) **Date of Patent:** **** Jun. 15, 2021**

(54) **FLASHLIGHT**

D596,328 S * 7/2009 Shiu D26/49
D805,668 S 12/2017 Shirley et al.
D875,287 S 2/2020 Inskeep et al.

(71) Applicant: **Shenzhen Xincheng Electronic Commerce Co., Ltd.**, Guangdong (CN)

* cited by examiner

(72) Inventor: **Ping Lin**, Jiangxi (CN)

Primary Examiner — Marcus A Jackson

(73) Assignee: **Shenzhen Xincheng Electronic Commerce Co., Ltd.**, Guangdong (CN)

(74) *Attorney, Agent, or Firm* — ScienBiziP, P.C.

(**) Term: **15 Years**

(57) **CLAIM**

(21) Appl. No.: **29/755,628**

The ornamental design for a flashlight, as shown and described.

(22) Filed: **Oct. 21, 2020**

DESCRIPTION

(51) **LOC (13) Cl.** **26-02**

(52) **U.S. Cl.**
USPC **D26/49**

(58) **Field of Classification Search**
USPC D26/37-51
CPC F21L 4/00; F21L 4/02; F21L 4/04; F21L 4/08; F21L 4/025; F21L 4/027; F21L 7/00; F21L 11/00; F21L 13/00; F21L 13/04; F21L 13/08; F21L 14/02; F21L 17/00; F21L 19/00; F21L 25/00
See application file for complete search history.

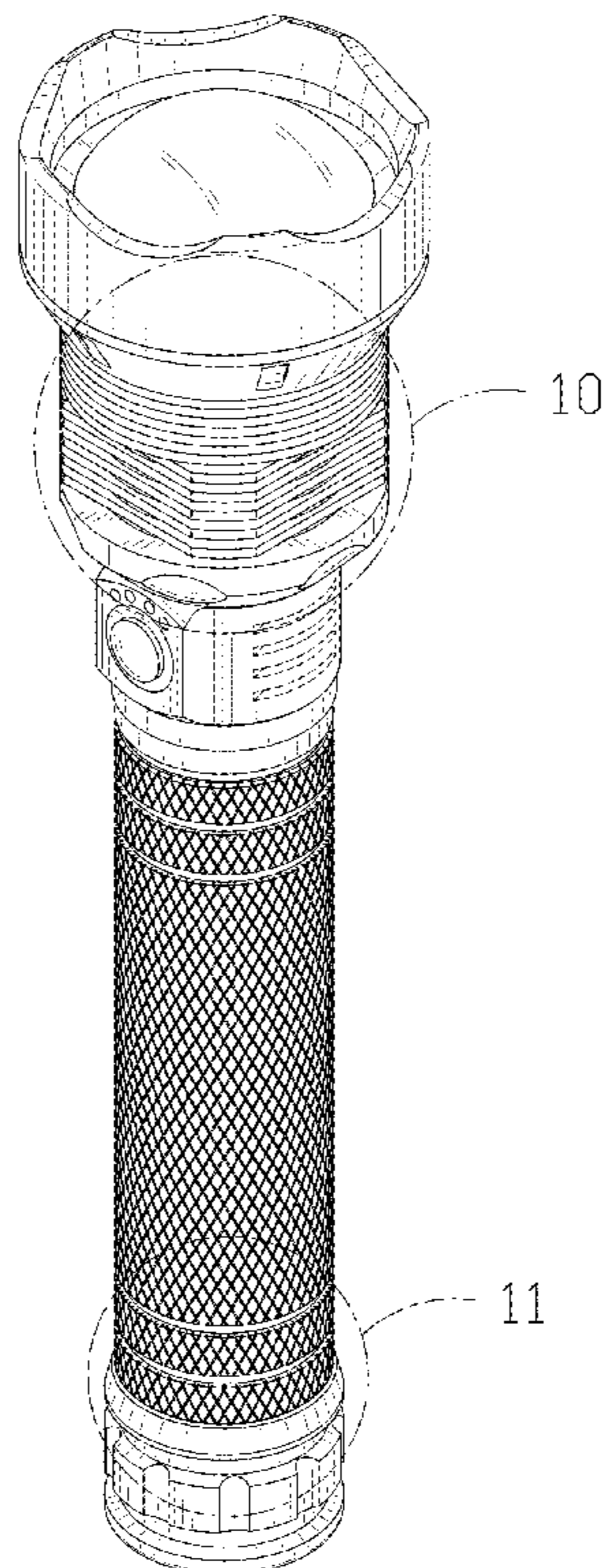
FIG. 1 is a front perspective view of a flashlight, showing my design.
FIG. 2 is a bottom perspective view thereof.
FIG. 3 is a front elevation view thereof.
FIG. 4 is a rear elevation view thereof.
FIG. 5 is a left side elevation thereof.
FIG. 6 is a right side elevation thereof.
FIG. 7 is a top plan view thereof.
FIG. 8 is a bottom plan view thereof.
FIG. 9 is a perspective view of the flashlight of FIG. 1 wherein a cover of the flashlight is open.
FIG. 10 is an enlarged view of an area labeled 10 in FIG. 1; and,
FIG. 11 is an enlarged view of an area labeled 11 in FIG. 1. The broken lines in the drawings depict environmental structure and boundaries and form no part of the claimed design.

(56) **References Cited**

U.S. PATENT DOCUMENTS

D486,936 S * 2/2004 Shiu D26/49
D504,530 S * 4/2005 Shiu D26/37
D521,166 S * 5/2006 Yamamoto D26/37
D525,733 S * 7/2006 Shiao D26/37
D564,116 S * 3/2008 Linardos D26/49

1 Claim, 11 Drawing Sheets



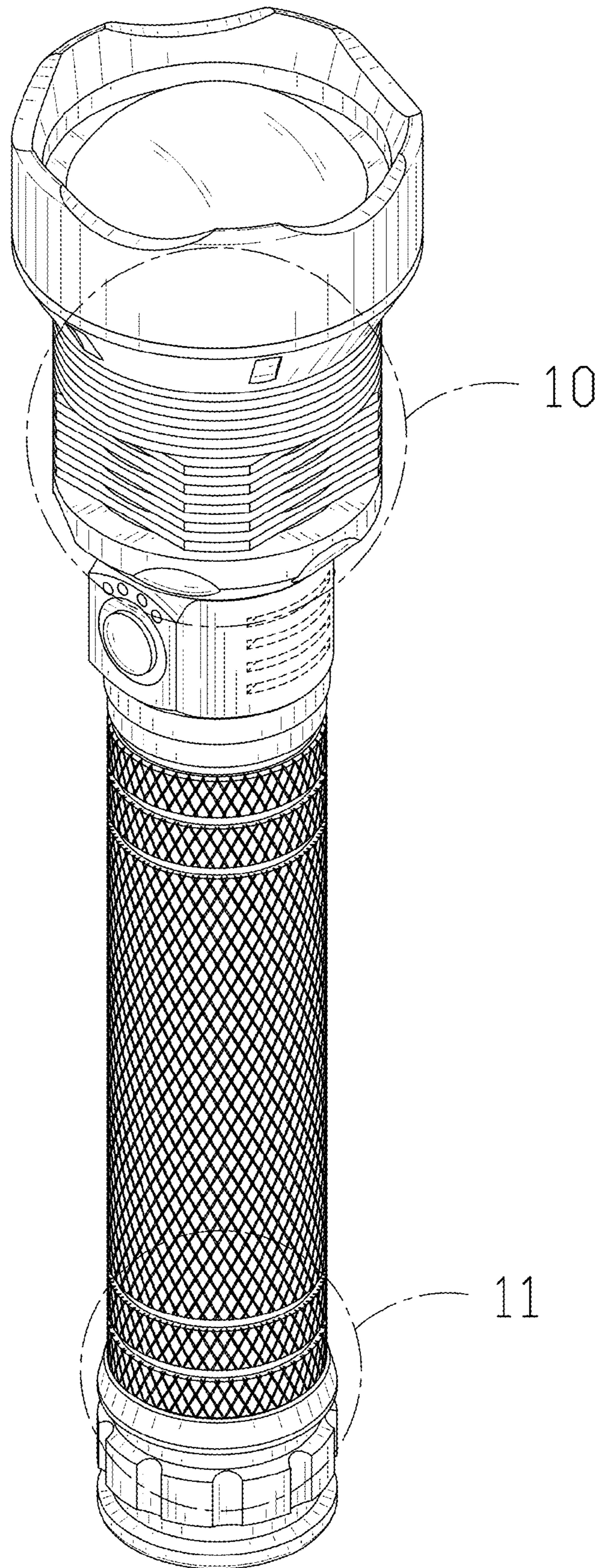


FIG. 1

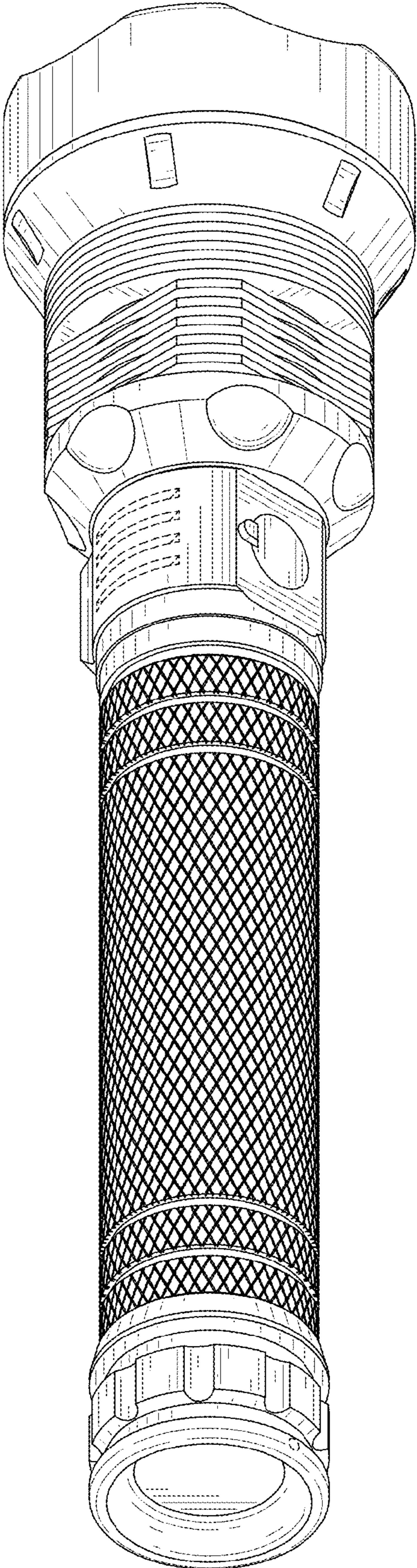


FIG. 2

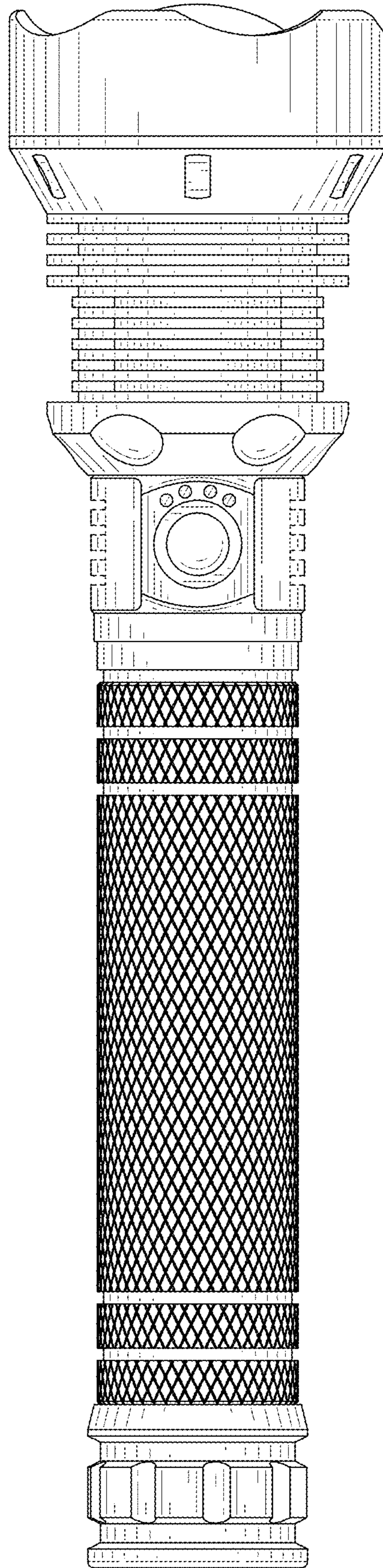


FIG. 3

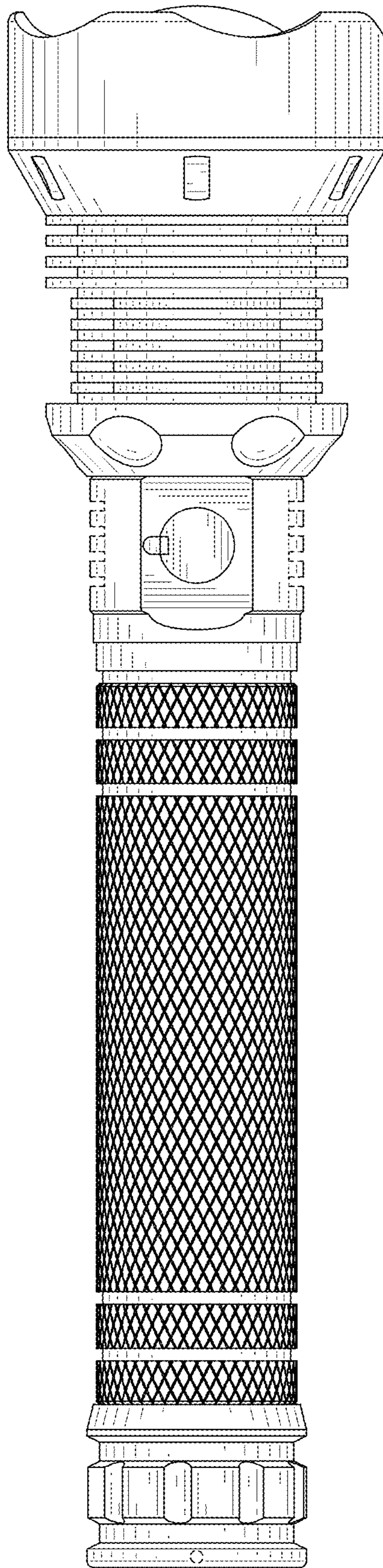


FIG. 4

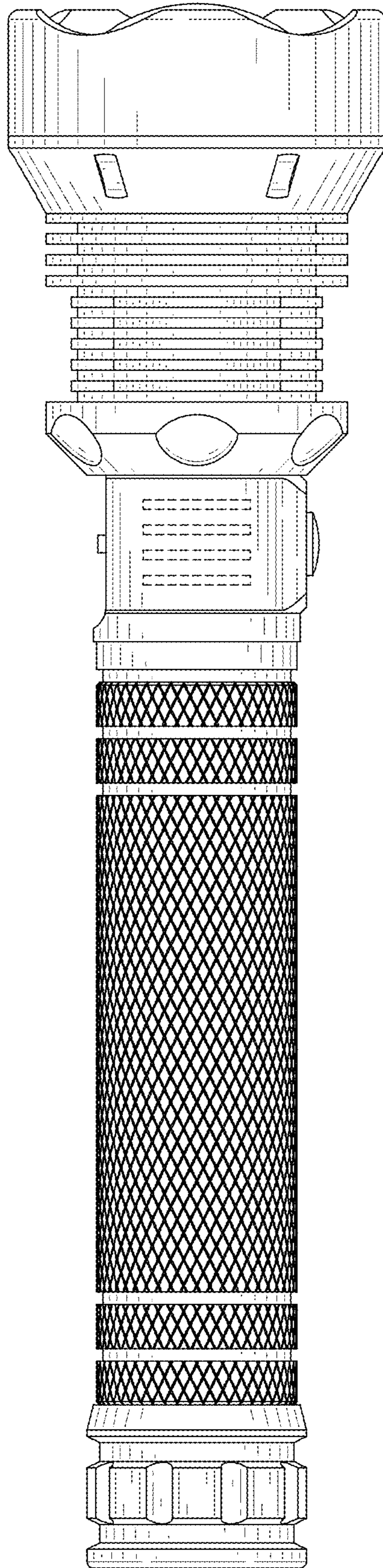


FIG. 5

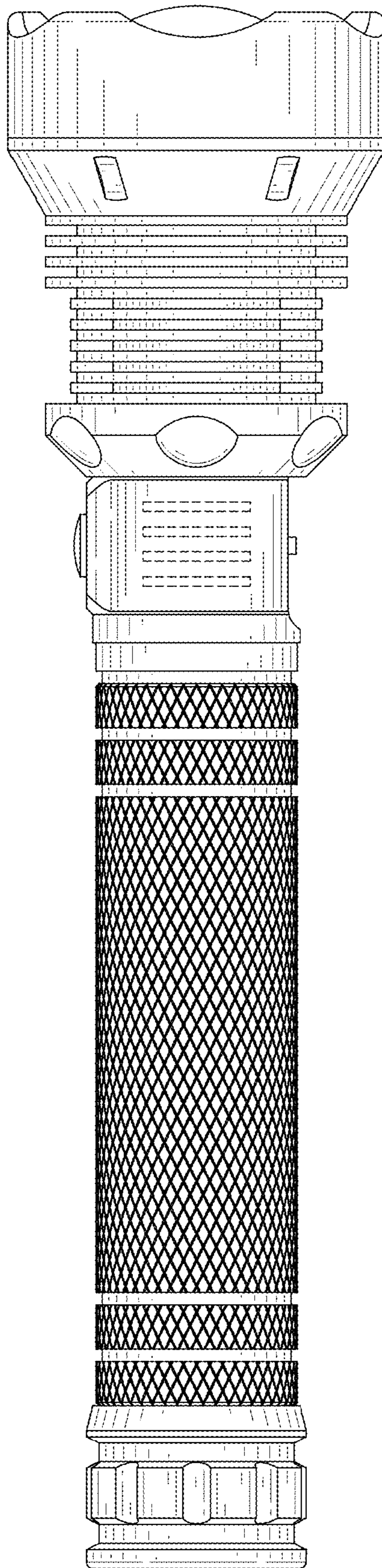


FIG. 6

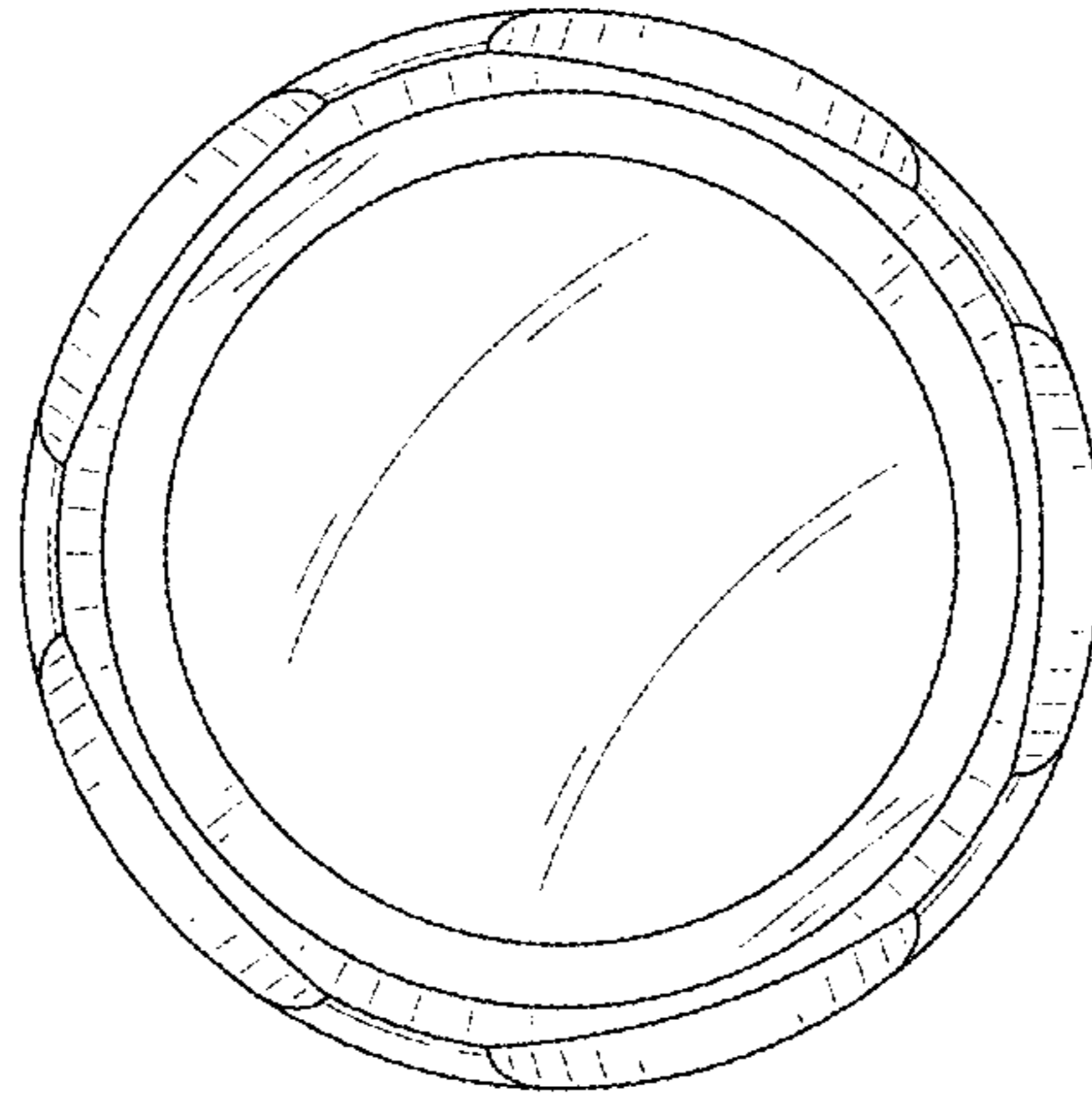


FIG. 7

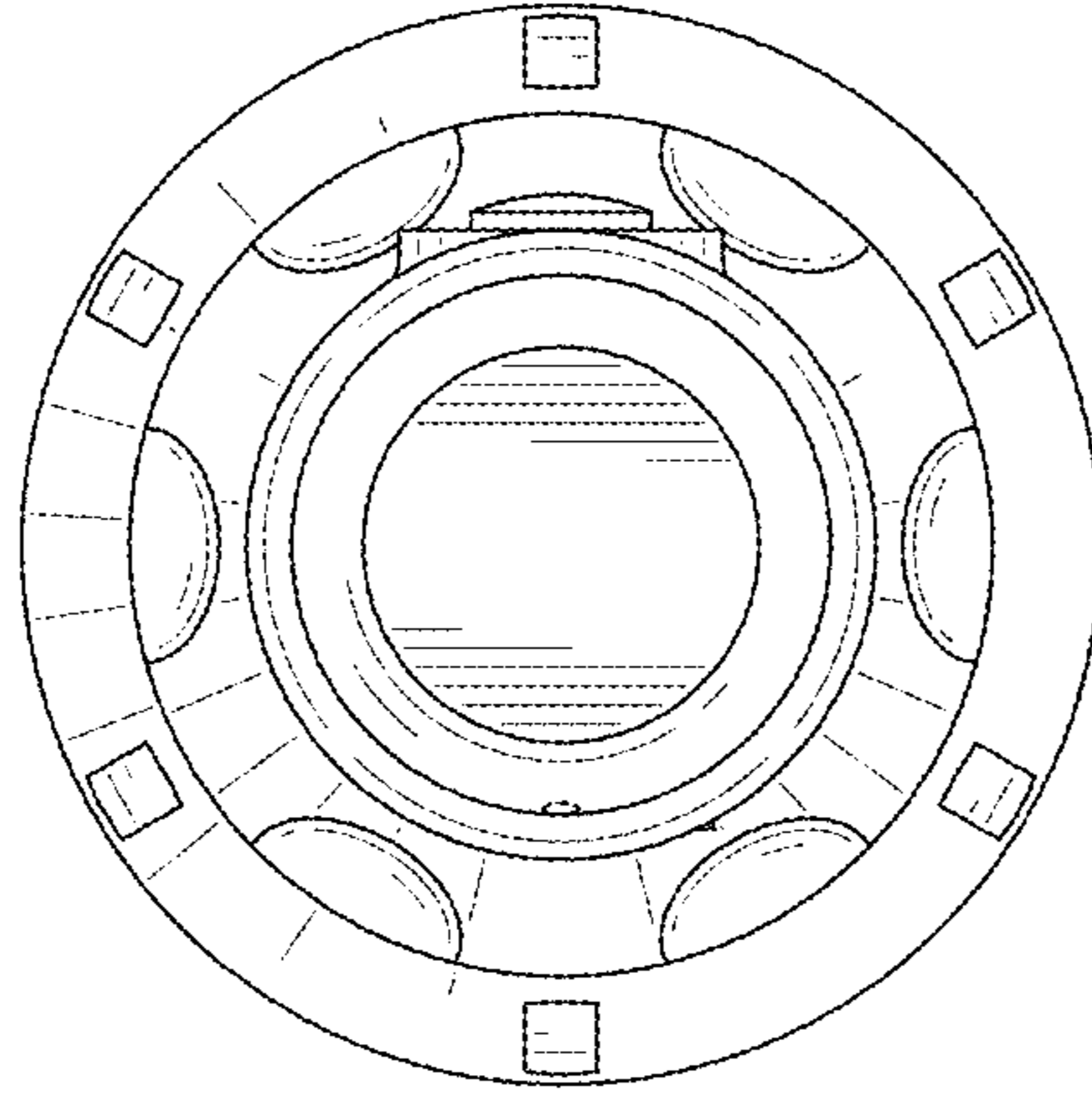


FIG. 8

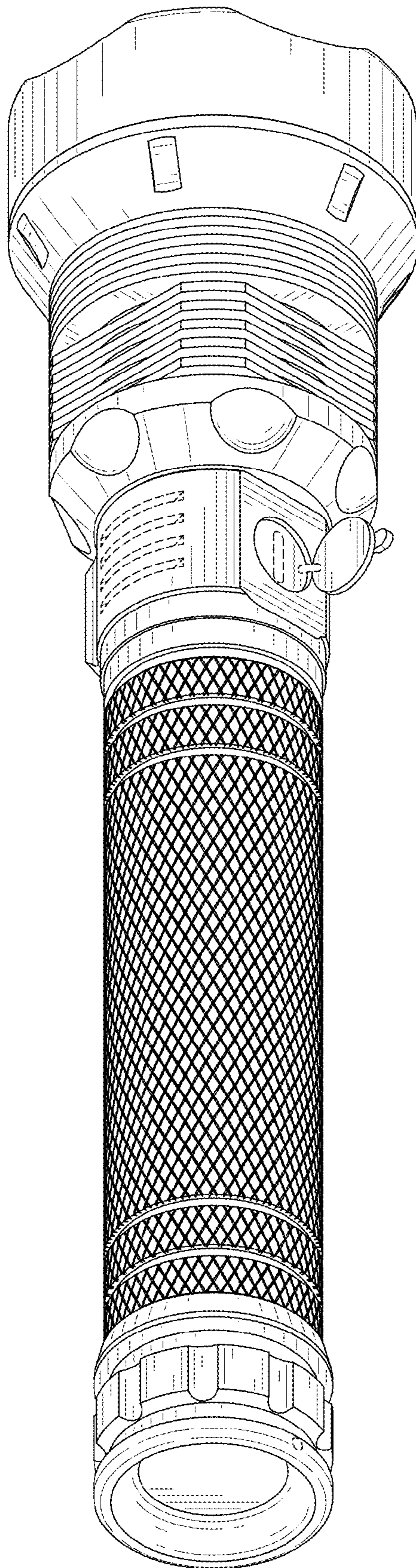


FIG. 9

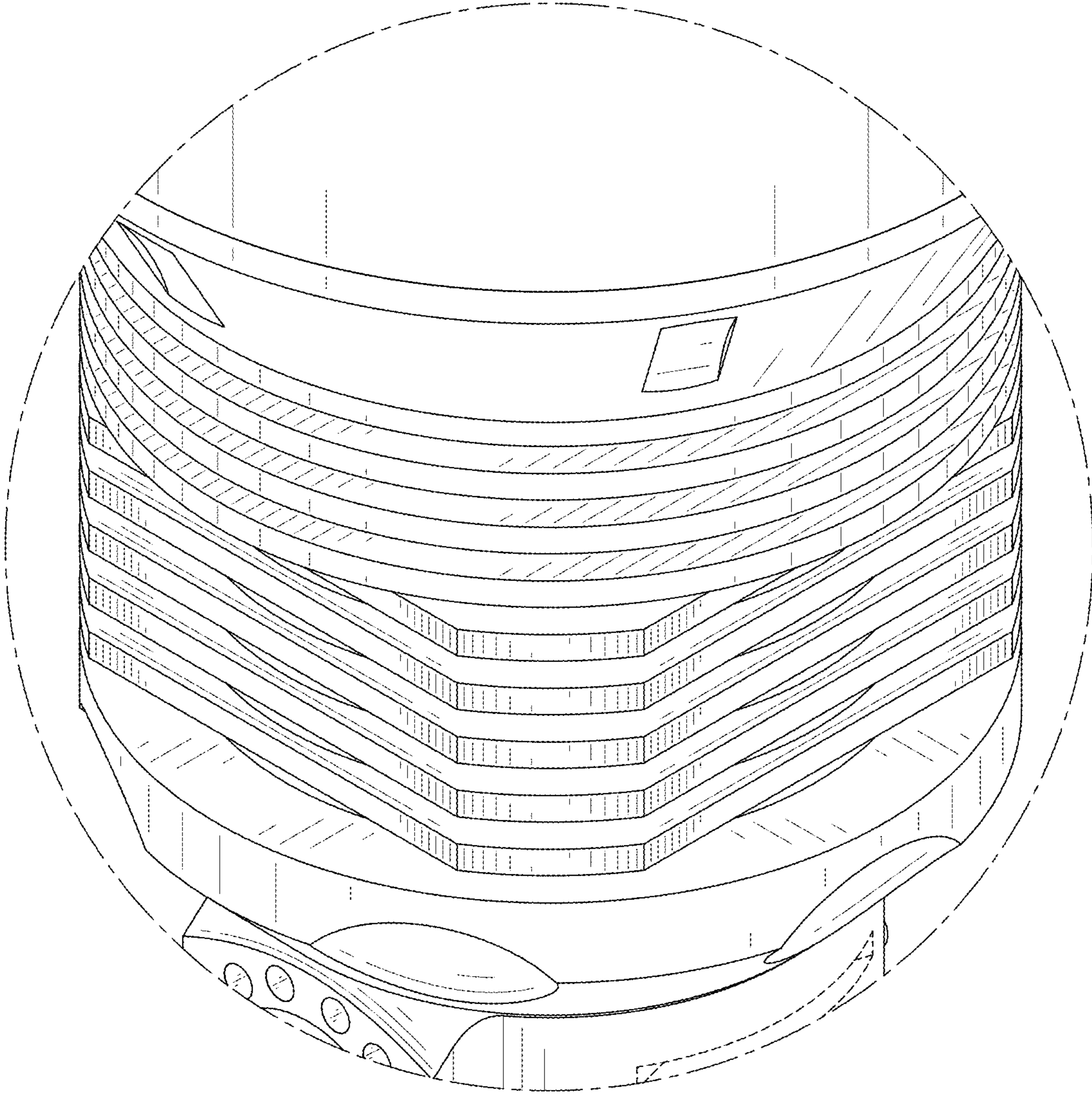


FIG. 10

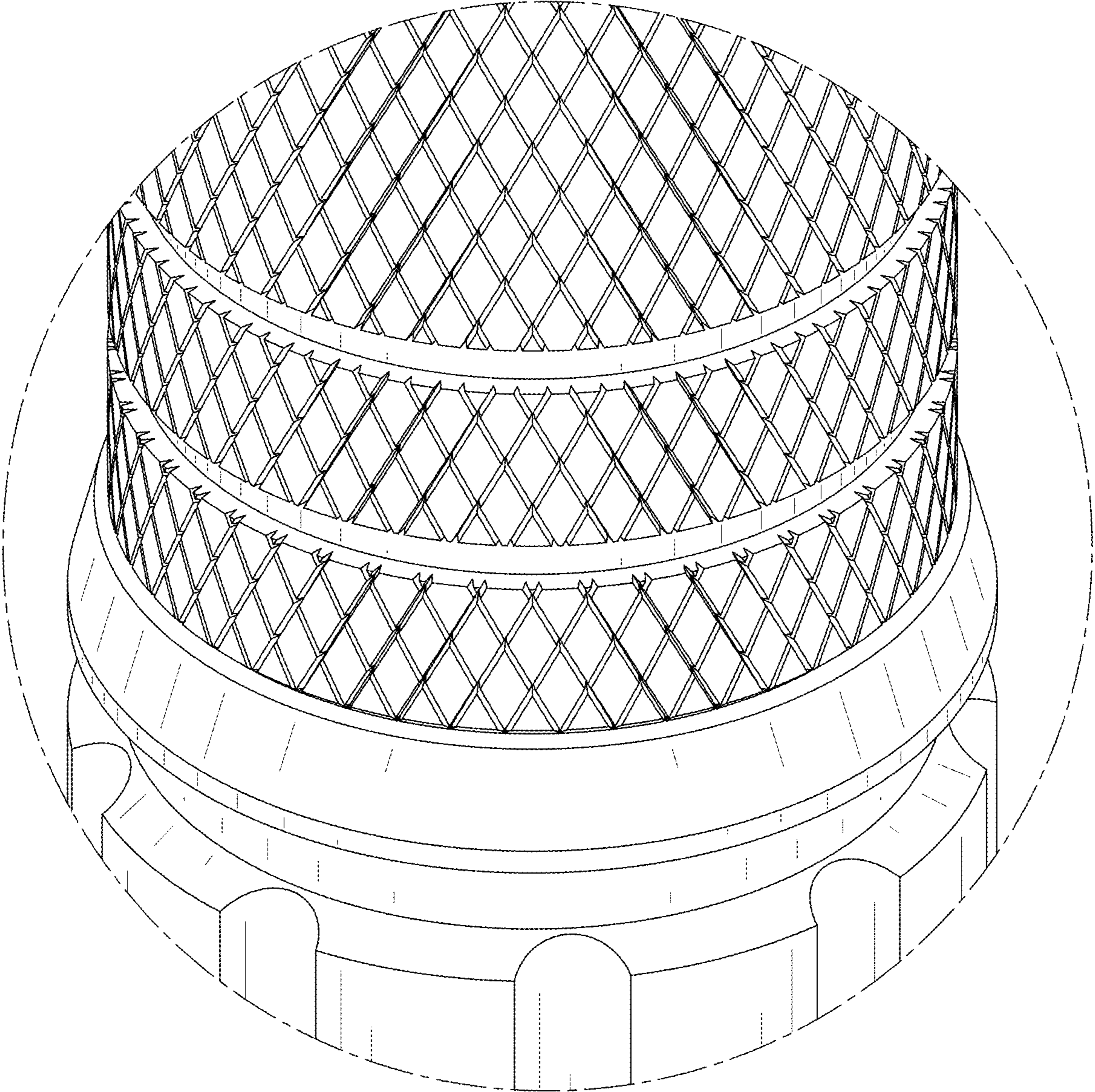


FIG. 11