



US00D922639S

(12) **United States Design Patent**
Sun

(10) **Patent No.:** **US D922,639 S**

(45) **Date of Patent:** **** Jun. 15, 2021**

(54) **SOLAR LAMP**

(71) Applicant: **Yichun Sun**, Ganzhou (CN)

(72) Inventor: **Yichun Sun**, Ganzhou (CN)

(**) Term: **15 Years**

(21) Appl. No.: **29/764,331**

(22) Filed: **Dec. 29, 2020**

(51) **LOC (13) Cl.** **26-02**

(52) **U.S. Cl.**
USPC **D26/40**

(58) **Field of Classification Search**
USPC D26/37-51
CPC F21L 4/00; F21L 4/02; F21L 4/04; F21L 4/08; F21L 4/025; F21L 4/027; F21L 7/00; F21L 11/00; F21L 13/00; F21L 13/04; F21L 13/08; F21L 14/02; F21L 17/00; F21L 19/00; F21L 25/00
See application file for complete search history.

(56) **References Cited**

U.S. PATENT DOCUMENTS

D429,354 S * 8/2000 Petterson D26/40
D468,039 S * 12/2002 Poon D26/40

D483,892 S * 12/2003 Poon D26/40
D485,385 S * 1/2004 Lo D26/40
D542,953 S * 5/2007 Lee D26/40
D706,968 S 6/2014 McDonough et al.
D816,250 S 4/2018 Wang

* cited by examiner

Primary Examiner — Marcus A Jackson

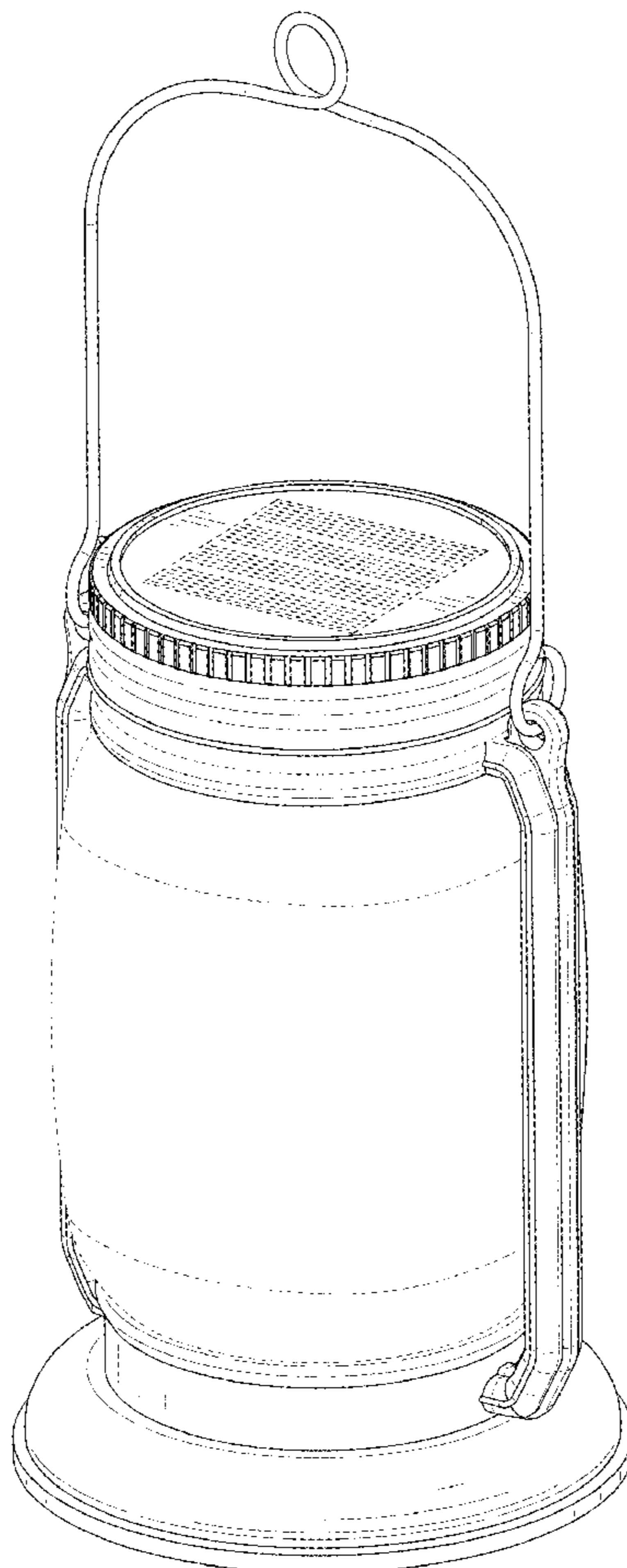
(57) **CLAIM**

The ornamental design for a solar lamp, as shown and described.

DESCRIPTION

FIG. 1 is a perspective view of a solar lamp showing my new design;
FIG. 2 is another perspective view thereof;
FIG. 3 is a front elevational view thereof;
FIG. 4 is a rear elevational view thereof;
FIG. 5 is a left side elevational view thereof;
FIG. 6 is a right side elevational view thereof;
FIG. 7 is a top plan view thereof; and,
FIG. 8 is a bottom plan view thereof.
The broken lines in the drawings depict portions of the solar lamp that form no part of the claimed design.

1 Claim, 8 Drawing Sheets



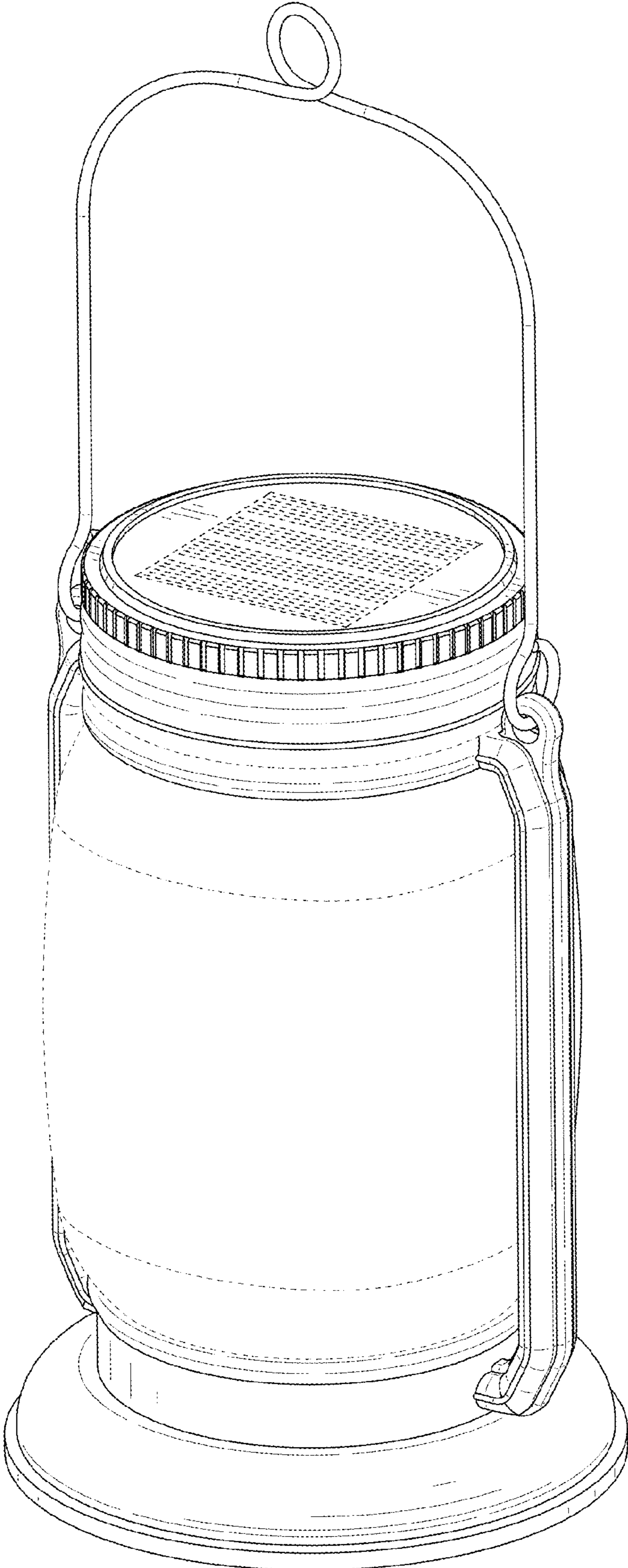


FIG. 1

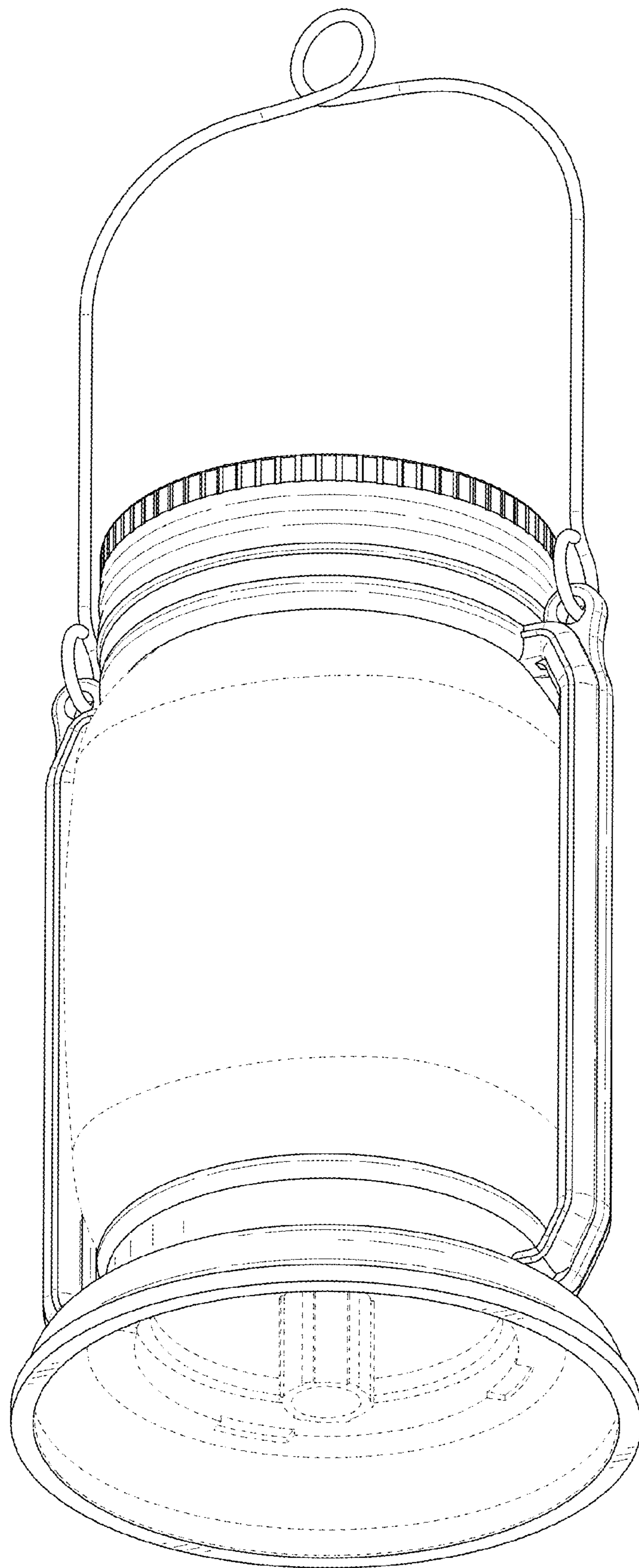


FIG. 2

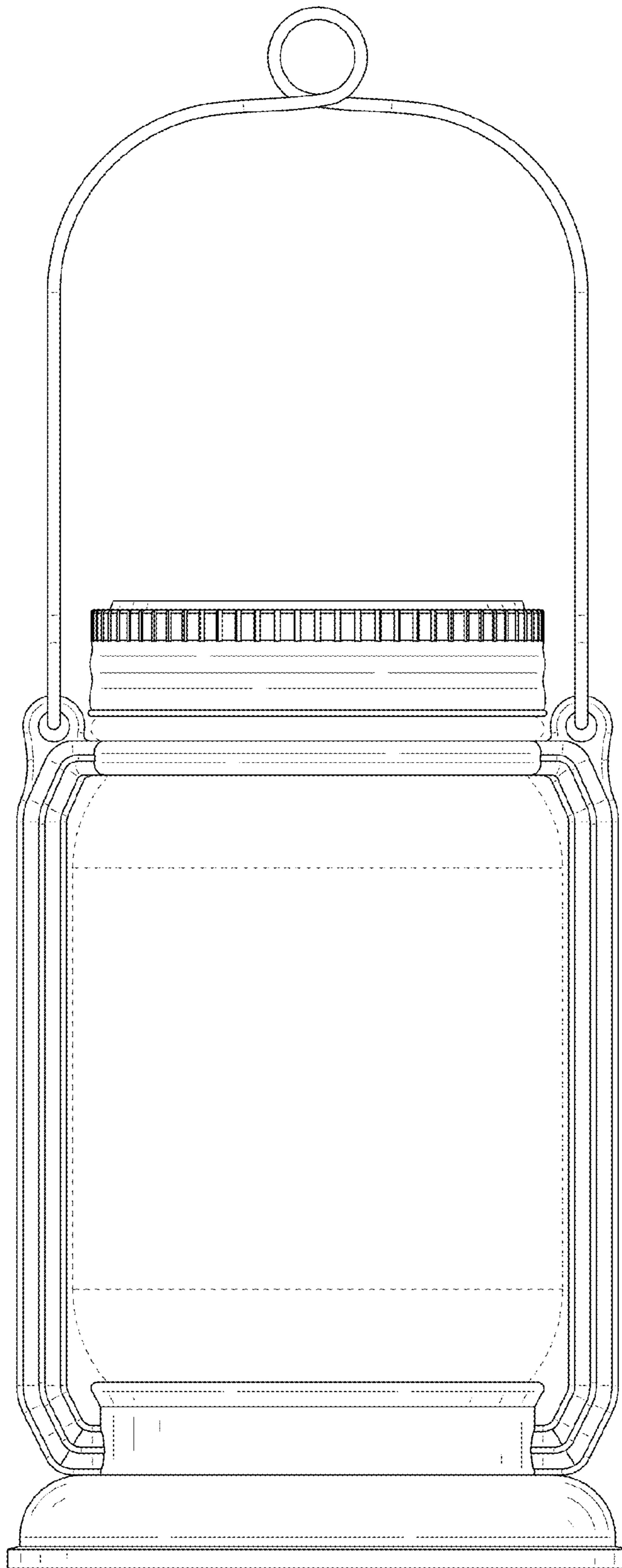


FIG. 3

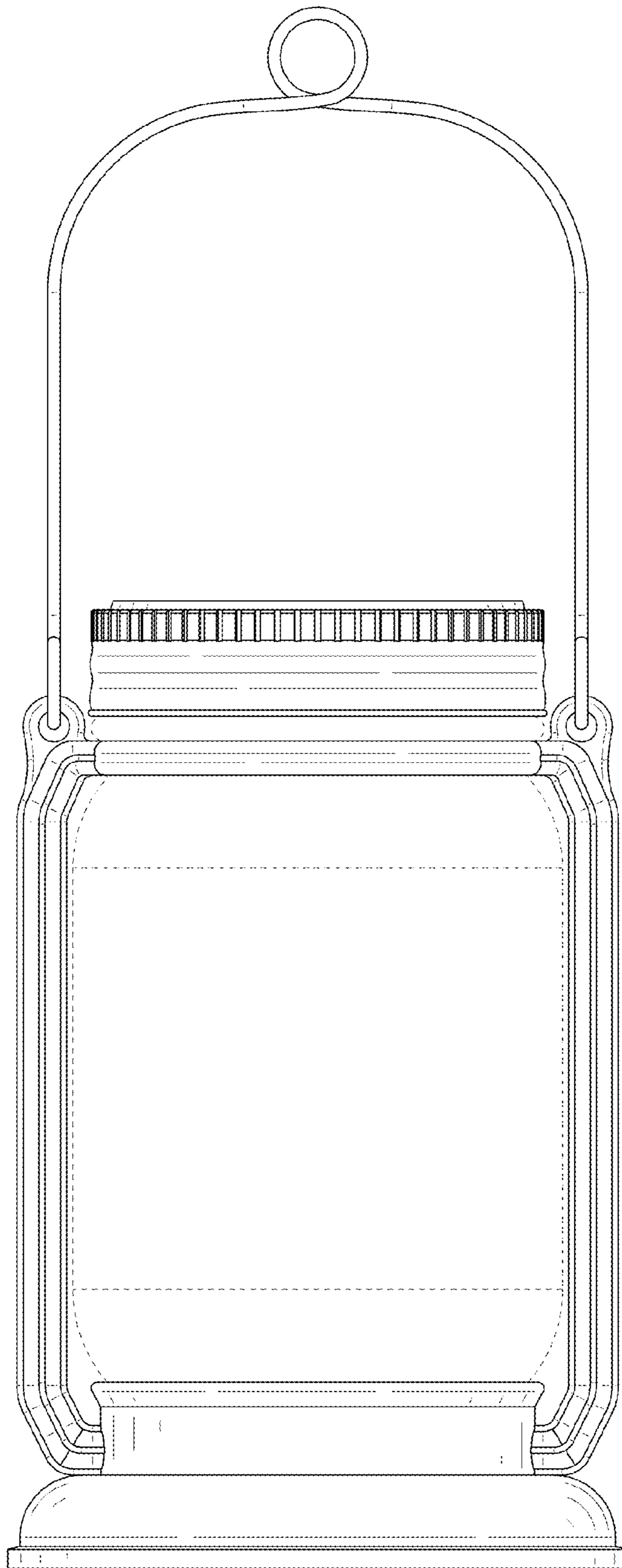


FIG. 4

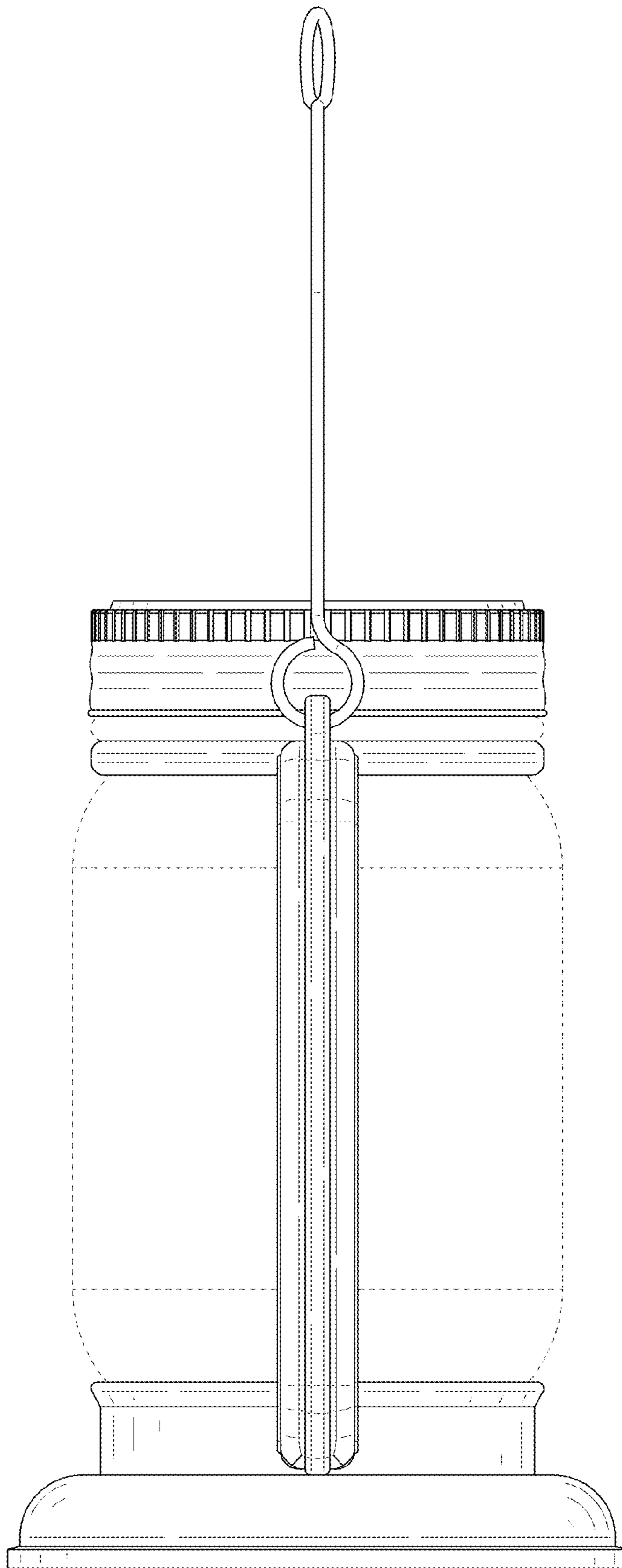


FIG. 5

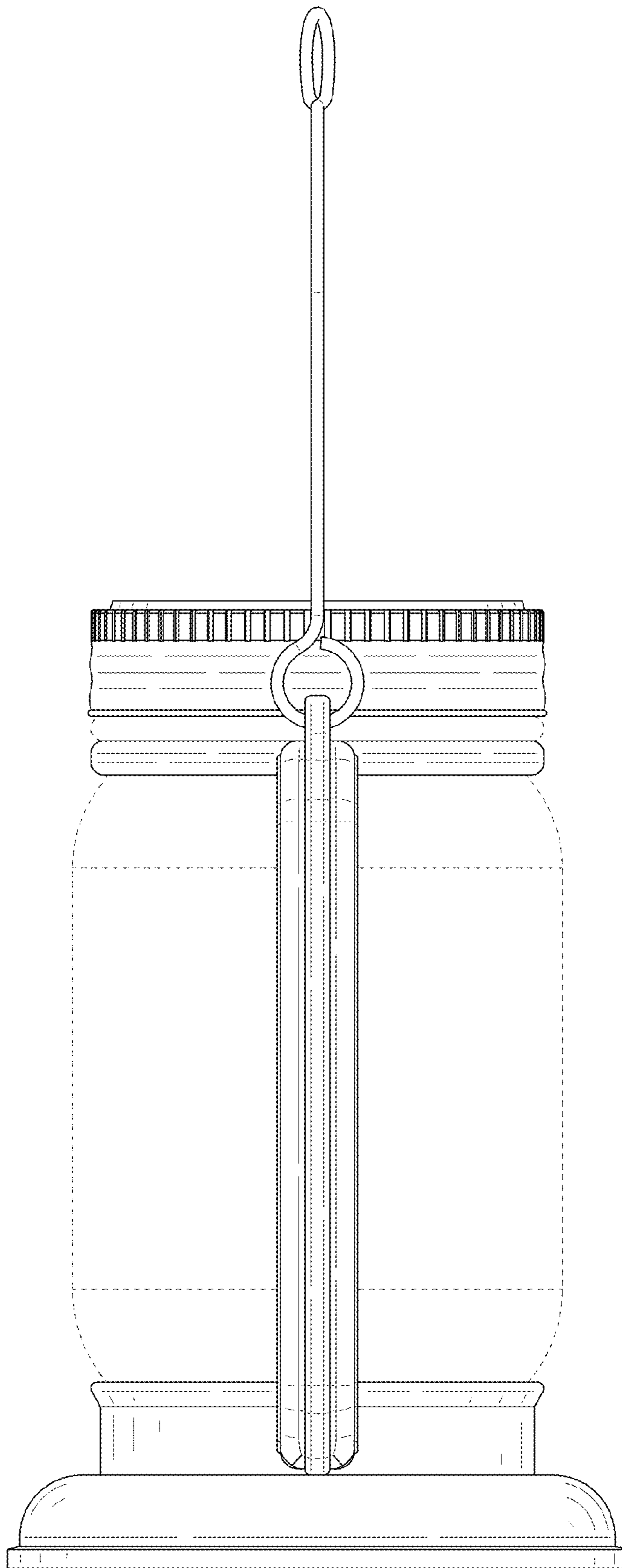


FIG. 6

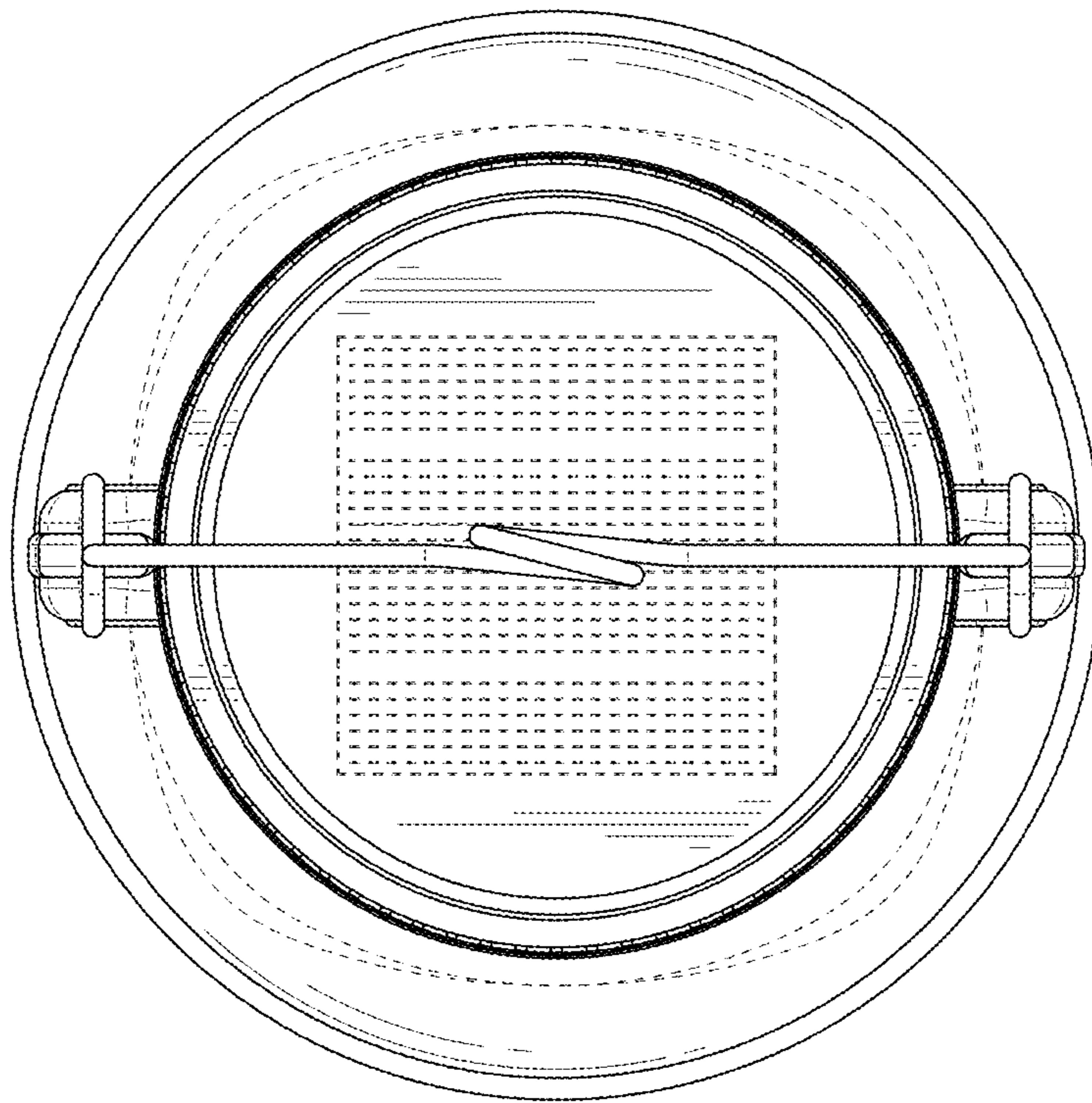


FIG. 7

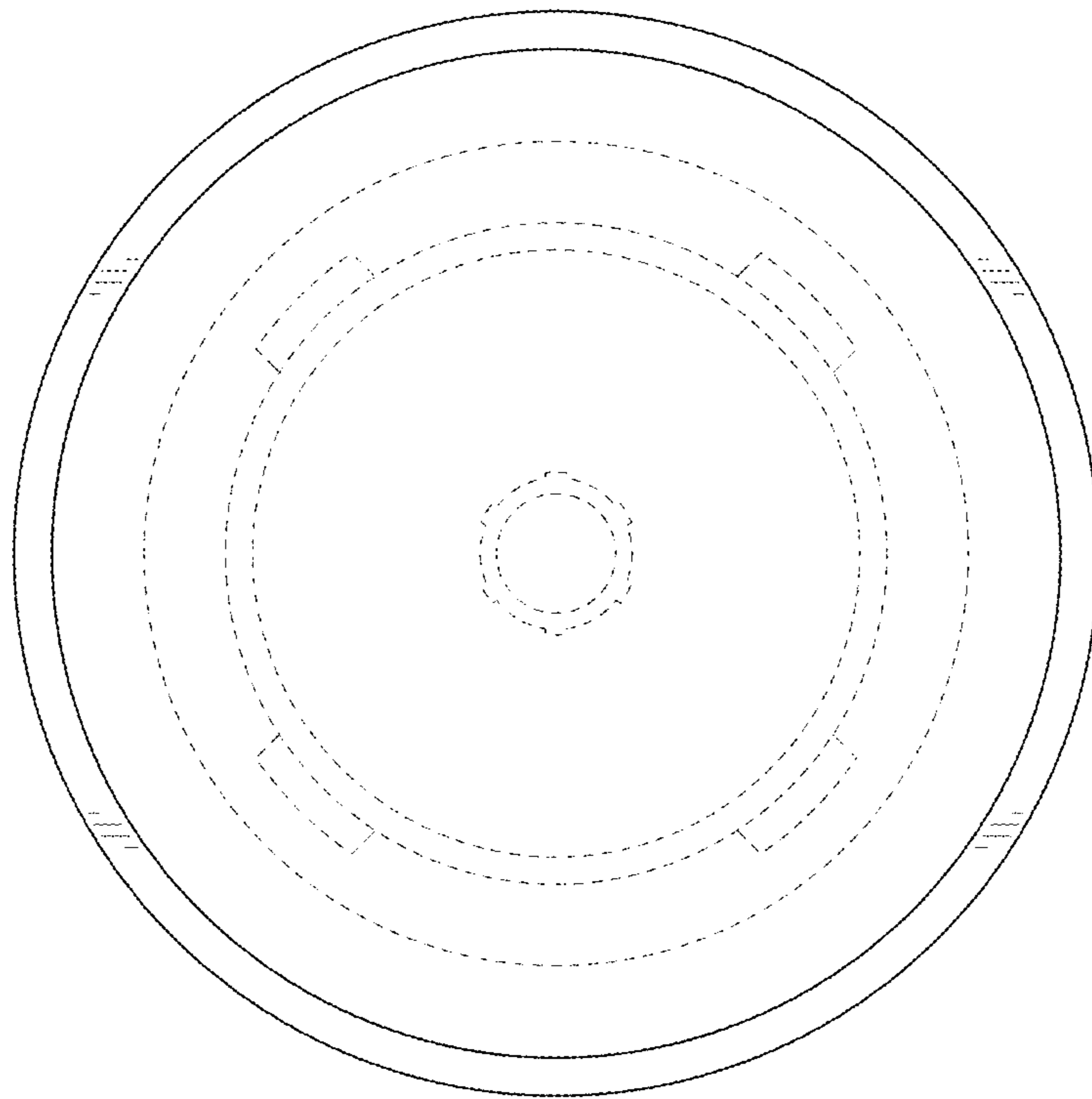


FIG. 8