



US00D922638S

(12) **United States Design Patent** (10) **Patent No.:** **US D922,638 S**
Le (45) **Date of Patent:** **** Jun. 15, 2021**

(54) **PORTION OF A FLASHLIGHT**
(71) Applicant: **MacroIdea Inc.**, Irvine, CA (US)
(72) Inventor: **Tien Cong Le**, Irvine, CA (US)
(73) Assignee: **MacroIdea Inc.**, Irvine, CA (US)
(**) Term: **15 Years**
(21) Appl. No.: **29/753,224**
(22) Filed: **Sep. 30, 2020**
(51) **LOC (13) Cl.** **26-02**
(52) **U.S. Cl.**
USPC **D26/37**
(58) **Field of Classification Search**
USPC D26/37-51
CPC F21L 4/02; F21L 4/04; F21L 4/08; F21L
7/00; F21L 11/00; F21L 13/00; F21L
13/04; F21L 13/08; F21L 14/02; F21L
17/00; F21L 19/00; F21L 25/00
See application file for complete search history.

(56) **References Cited**
U.S. PATENT DOCUMENTS
D241,971 S 10/1976 Brindley
D294,644 S 3/1988 Ohashi
D356,170 S 3/1995 Ohtaka et al.
D410,761 S 6/1999 Chiu
6,095,661 A 8/2000 Lebens et al.
D527,476 S * 8/2006 Craft D26/37
D553,265 S 10/2007 Maxik
D553,266 S 10/2007 Maxik
D574,982 S * 8/2008 Lau D26/37
D574,984 S * 8/2008 Hesse D26/37
D577,451 S 9/2008 Shiu
D577,845 S 9/2008 Shiu
D579,135 S * 10/2008 Shiu D26/49
D579,594 S * 10/2008 Hesse D26/37
D579,595 S 10/2008 Shiu
D590,972 S 4/2009 Kennedy

D596,773 S 7/2009 Liu
D617,022 S * 6/2010 Kung D26/37
D629,542 S 12/2010 Robinson
D629,544 S * 12/2010 Deguglimo D26/49
7,896,518 B2 3/2011 Holmes et al.
D641,901 S 7/2011 Opolka
D645,592 S * 9/2011 Brands D26/49
D651,321 S 12/2011 Marchese et al.
D668,804 S 10/2012 Maglica
D685,940 S 7/2013 Lee
D693,041 S 11/2013 van der Lande
D709,232 S 7/2014 Inskeep
D709,233 S 7/2014 Inskeep
D709,234 S 7/2014 Inskeep
8,783,908 B2 7/2014 Gross et al.
D710,526 S 8/2014 Lee
(Continued)

FOREIGN PATENT DOCUMENTS

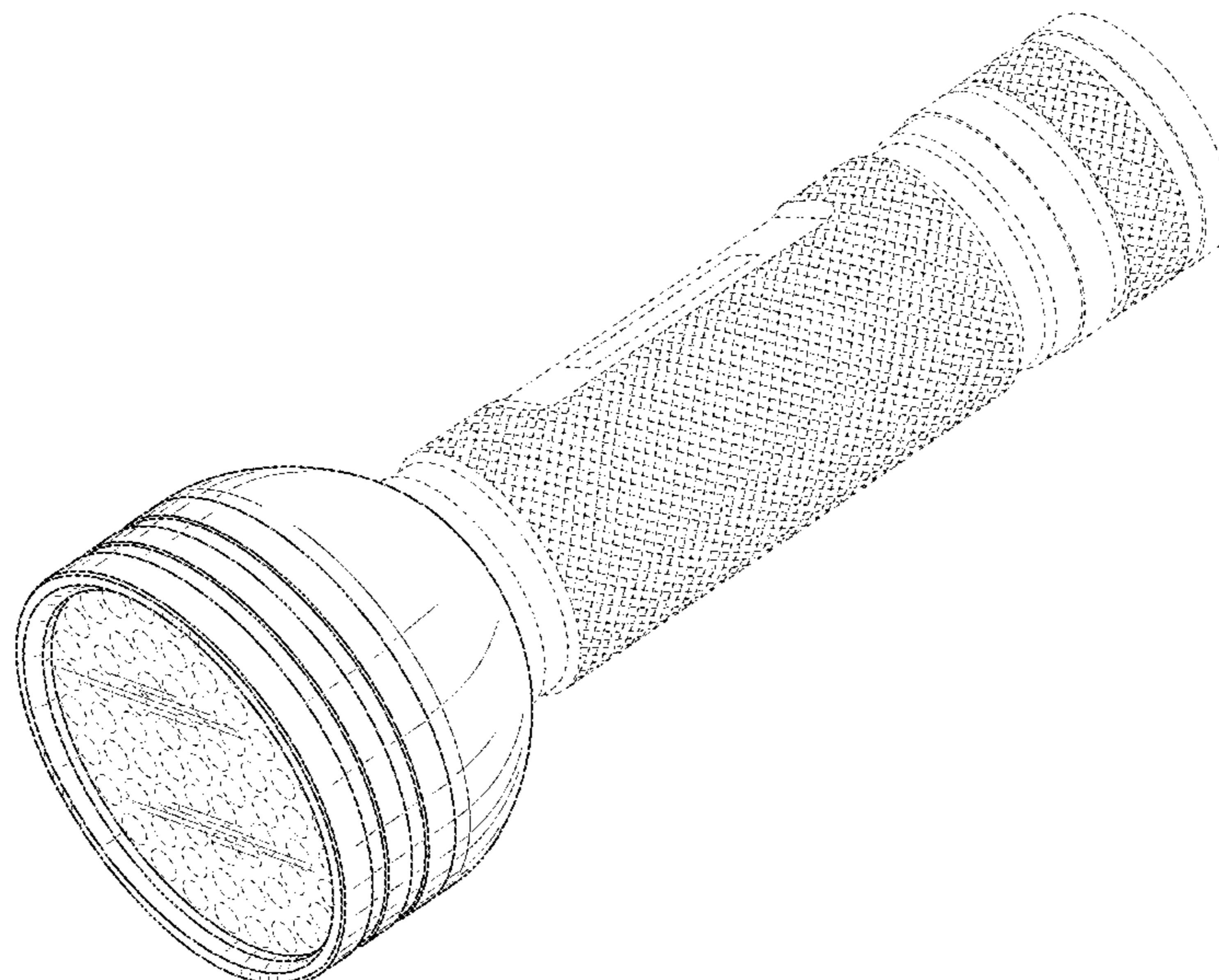
KR 20110123641 1/2012
Primary Examiner — Marcus A Jackson
(74) *Attorney, Agent, or Firm* — Sarah M. Walkington

(57) **CLAIM**
The ornamental design for a portion of a flashlight, as shown and described.

DESCRIPTION

FIG. 1 is a perspective view of a portion of a flashlight showing my new design;
FIG. 2 is a front elevational view thereof;
FIG. 3 is a rear elevational view thereof;
FIG. 4 is a left side elevational view thereof;
FIG. 5 is a right side elevational view thereof;
FIG. 6 is a top plan view thereof; and,
FIG. 7 is a bottom plan view thereof.
The broken lines shown in the drawings depict portions of the portion of a flashlight that form no part of the claimed design.

1 Claim, 6 Drawing Sheets



(56)

References Cited

U.S. PATENT DOCUMENTS

D717,481 S	11/2014	Yong
D719,694 S	12/2014	Nawaz
D750,306 S	2/2016	Windom et al.
D785,843 S	5/2017	Wen
D803,446 S	11/2017	Green
10,060,582 B2	8/2018	O'Brien
D827,892 S	9/2018	Kunzendorf
D846,169 S	4/2019	Inskeep et al.

* cited by examiner

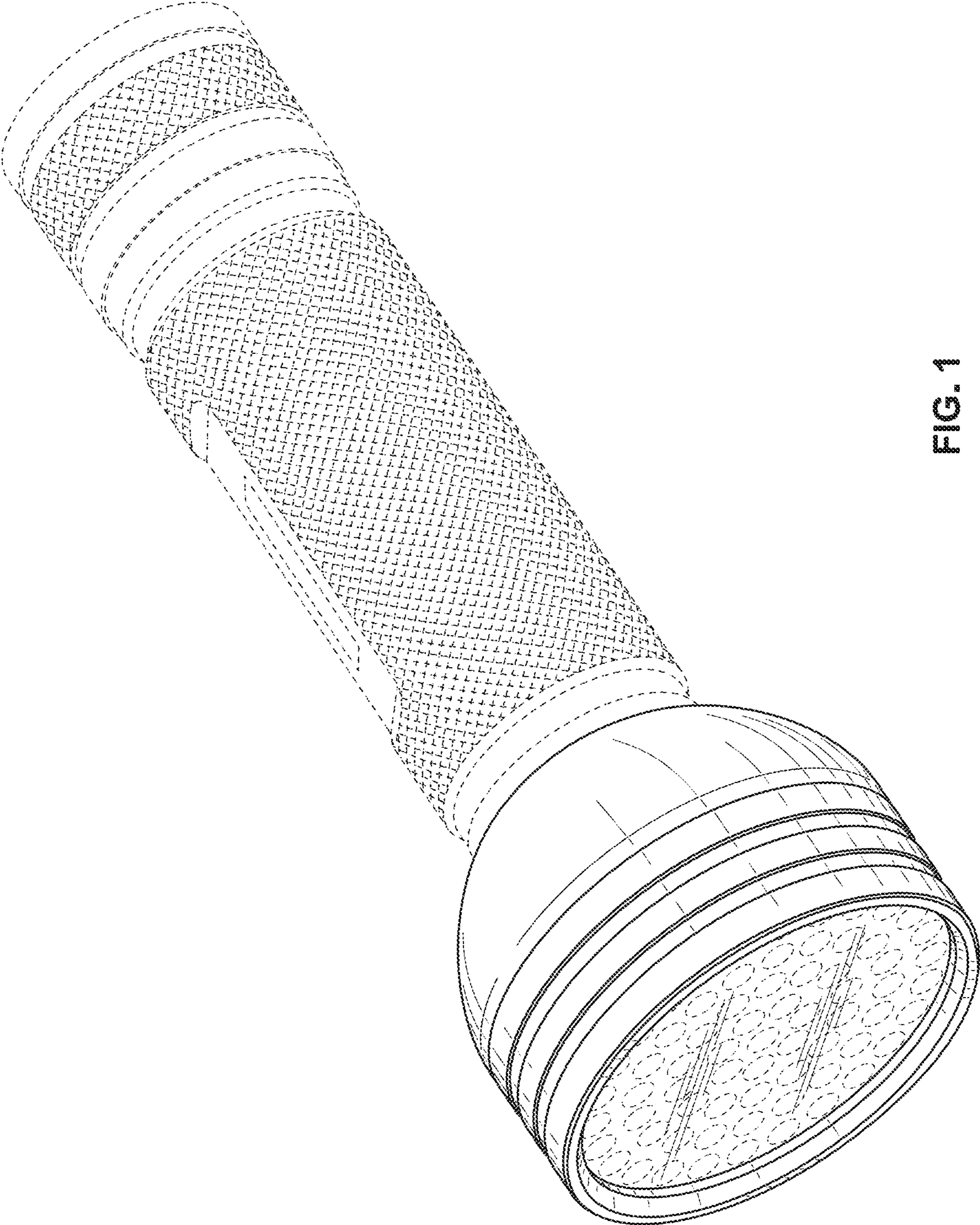


FIG. 1

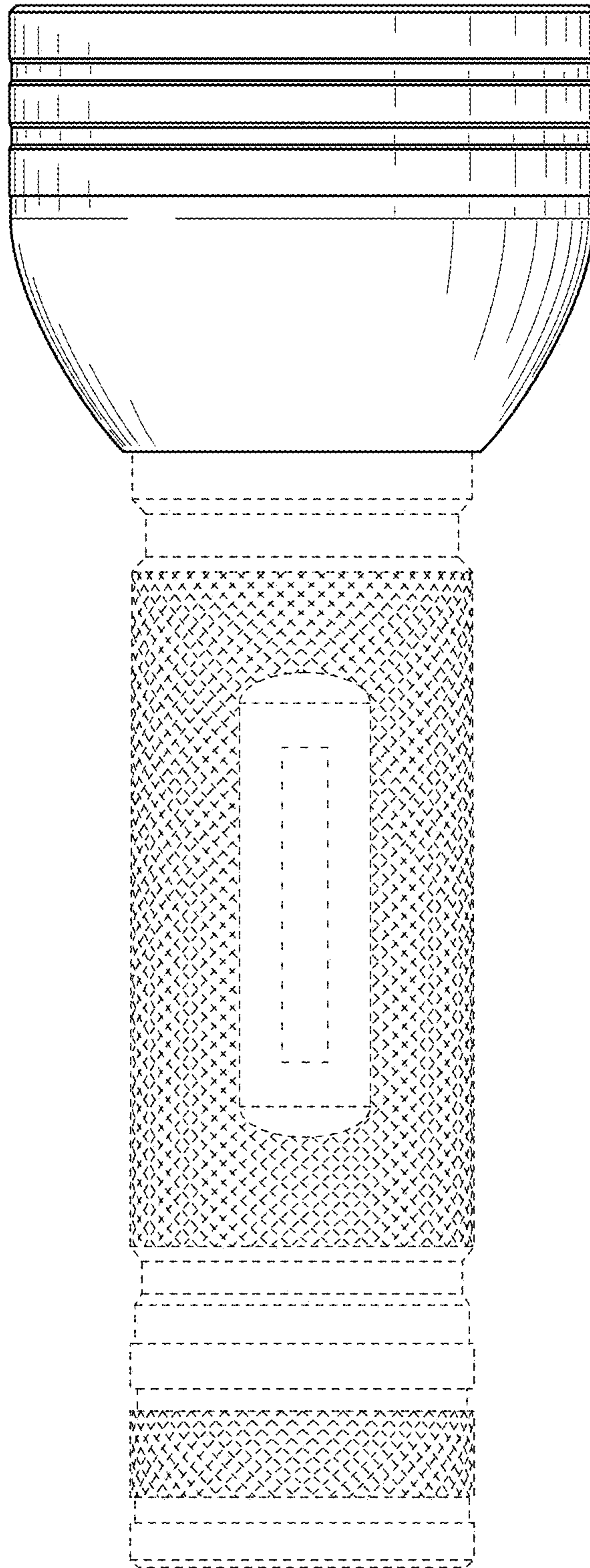


FIG. 2

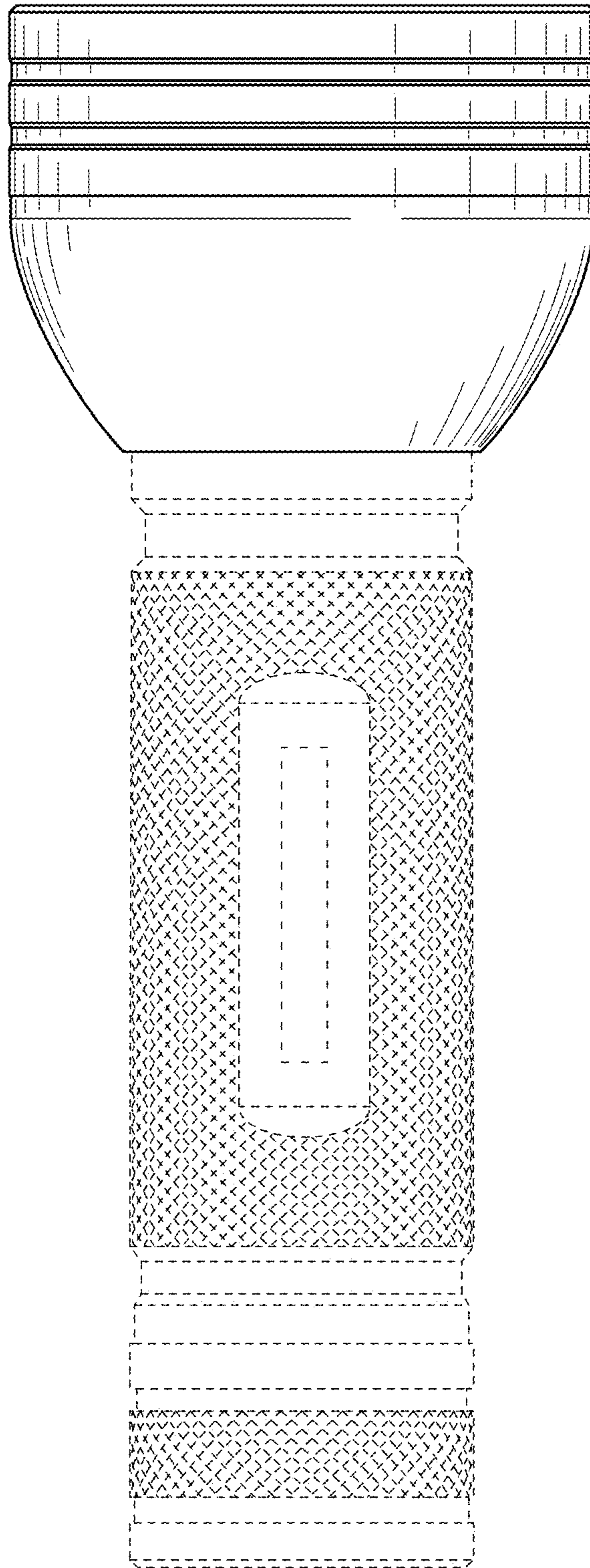


FIG. 3

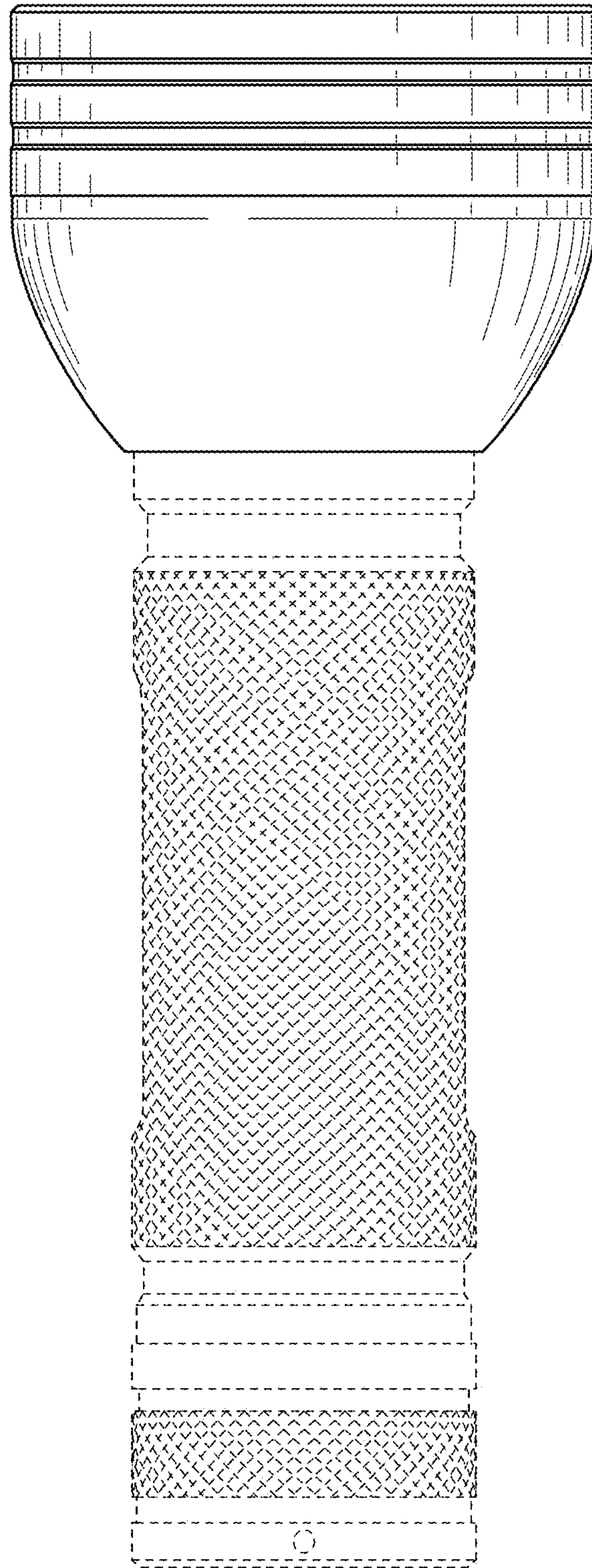


FIG. 4

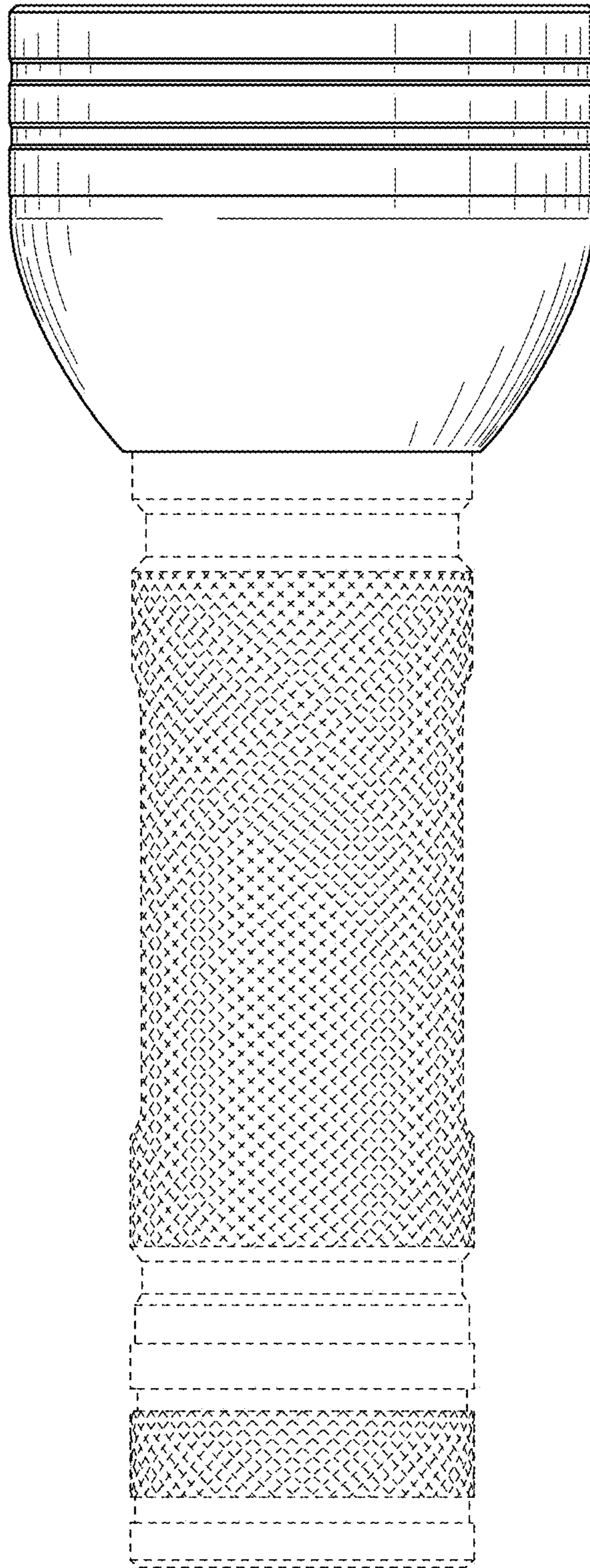


FIG. 5

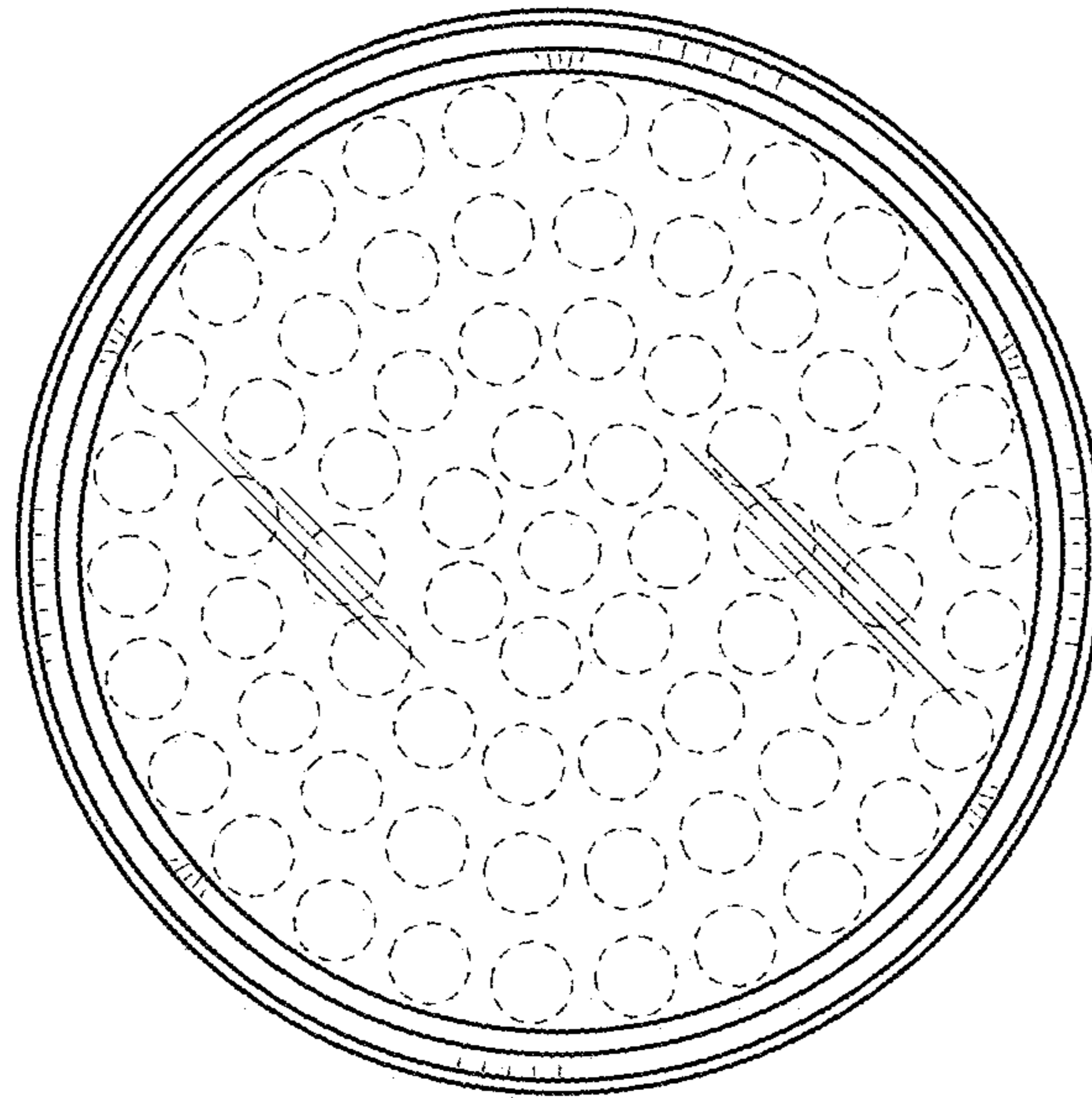


FIG. 6

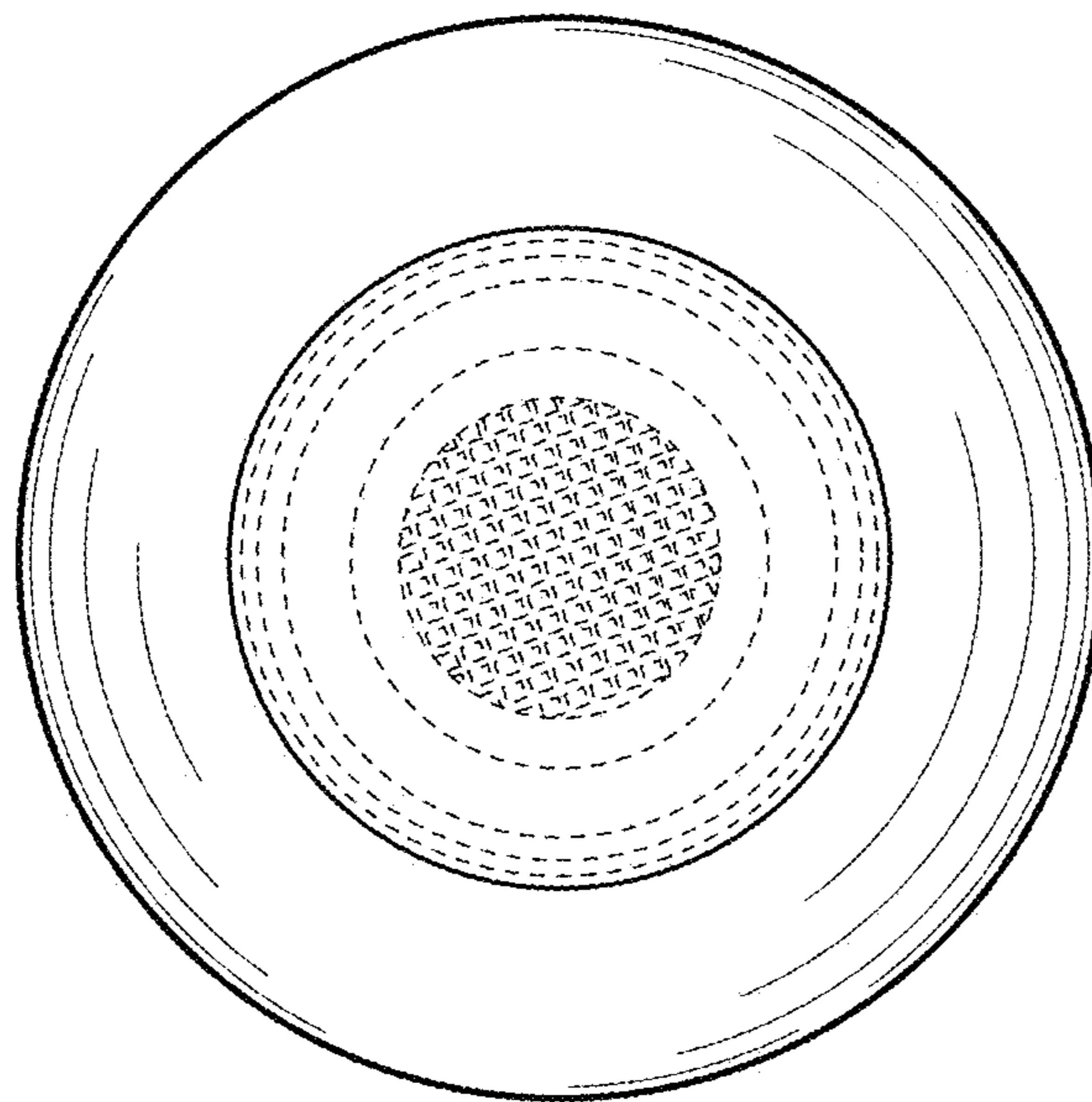


FIG. 7