



US00D922637S

(12) **United States Design Patent**
Guo et al.

(10) **Patent No.:** **US D922,637 S**

(45) **Date of Patent:** **** Jun. 15, 2021**

(54) **LED SEARCH WORK LAMP**

(71) Applicant: **AEC LIGHTING SOLUTIONS CO., Ltd**, Shanghai (CN)

(72) Inventors: **Shujian Guo**, Shanghai (CN); **Binhui Shang**, Shanghai (CN)

(73) Assignee: **AEC LIGHTING SOLUTIONS CO., LTD**, Shanghai (CN)

(**) Term: **15 Years**

(21) Appl. No.: **29/692,356**

(22) Filed: **May 24, 2019**

(30) **Foreign Application Priority Data**

Apr. 9, 2019 (EM) 006373304

(51) **LOC (13) Cl.** **26-02**

(52) **U.S. Cl.**
USPC **D26/37**

(58) **Field of Classification Search**

USPC D26/1, 24, 37-38, 40-42, 44-52
CPC F21V 33/00; F21V 14/025; F21V 21/406;
F21L 13/08; F21L 17/00; F21L 4/00;
F21L 4/005; F21L 4/02; F21L 4/022;
F21L 4/025; F21L 4/027; F21L 4/04;
F21L 4/045; F21L 4/085; F21L 14/02;
F21L 2003/00; F21Y 2101/02

See application file for complete search history.

(56) **References Cited**

U.S. PATENT DOCUMENTS

D271,909 S * 12/1983 Mallory D26/42
D272,654 S * 2/1984 Ho D26/48
D287,293 S * 12/1986 Wang 417/313
D304,090 S * 10/1989 Wan D26/42
D329,504 S * 9/1992 Yuen D26/42
D338,975 S * 8/1993 Yuen D26/48
D354,364 S * 1/1995 Yuen D26/42
D355,721 S * 2/1995 Garrity D26/48

D377,839 S * 2/1997 Yuen D26/42
D389,594 S * 1/1998 Poon D26/48
D445,519 S * 7/2001 Burns D26/38
D545,470 S * 6/2007 Devany D26/46
D591,881 S * 5/2009 Crawford D26/37
D605,797 S * 12/2009 Baker D26/48
D616,580 S * 5/2010 Bertken D26/48

(Continued)

FOREIGN PATENT DOCUMENTS

JP D1652326 * 8/2019

OTHER PUBLICATIONS

flashlightdealer.com: Pelican 9410L LED Lantern—Gen 2. Undated online product page. Retrieved on Oct. 6, 2020 from <https://www.flashlightdealer.com/9410l-led-lantern---gen-2-details.aspx?gclid=EA1alQobChM1ldmxk5Kg7AIVz_jBx14MwMkEAQYDiABEgKpAPD_BwE> (Year: 2020).*

Primary Examiner — Brian N. Vinson

(74) *Attorney, Agent, or Firm* — Berg Hill Greenleaf Ruscitti LLP

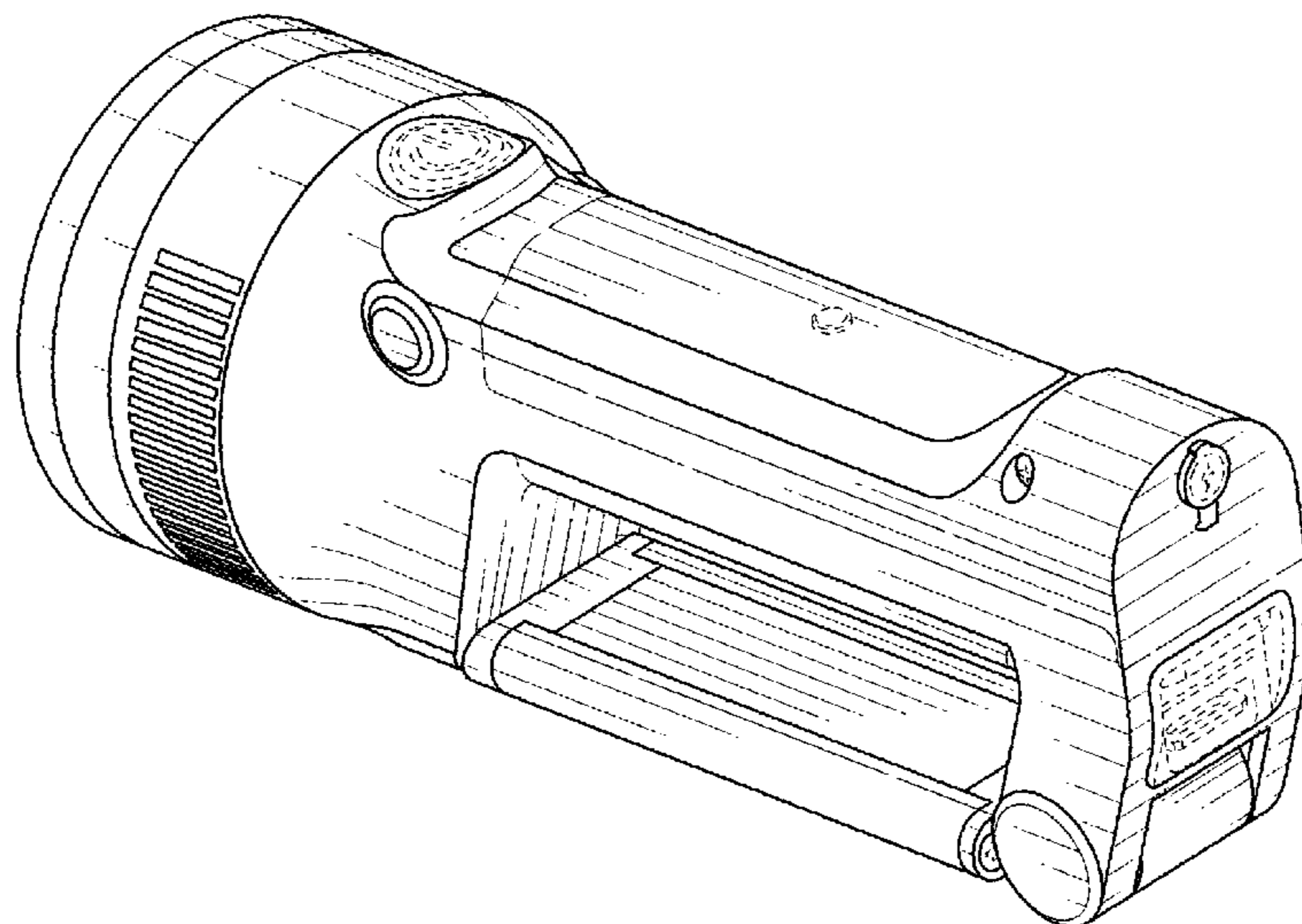
(57) **CLAIM**

The ornamental design for an LED search work lamp, as shown and described.

DESCRIPTION

FIG. 1 is a perspective view of an LED search work lamp showing our new design;
FIG. 2 is a left side elevation view thereof;
FIG. 3 is a right side elevation view thereof
FIG. 4 is a front elevation view thereof;
FIG. 5 is a rear elevation view thereof;
FIG. 6 is a top plan view thereof; and,
FIG. 7 is a bottom plan view thereof.
Throughout the drawings the broken lines depict portions of the LED search work lamp that form no part of the claimed design.

1 Claim, 4 Drawing Sheets



(56)

References Cited

U.S. PATENT DOCUMENTS

D641,513 S * 7/2011 Wang D26/48
D649,274 S * 11/2011 Bertken D26/48

* cited by examiner

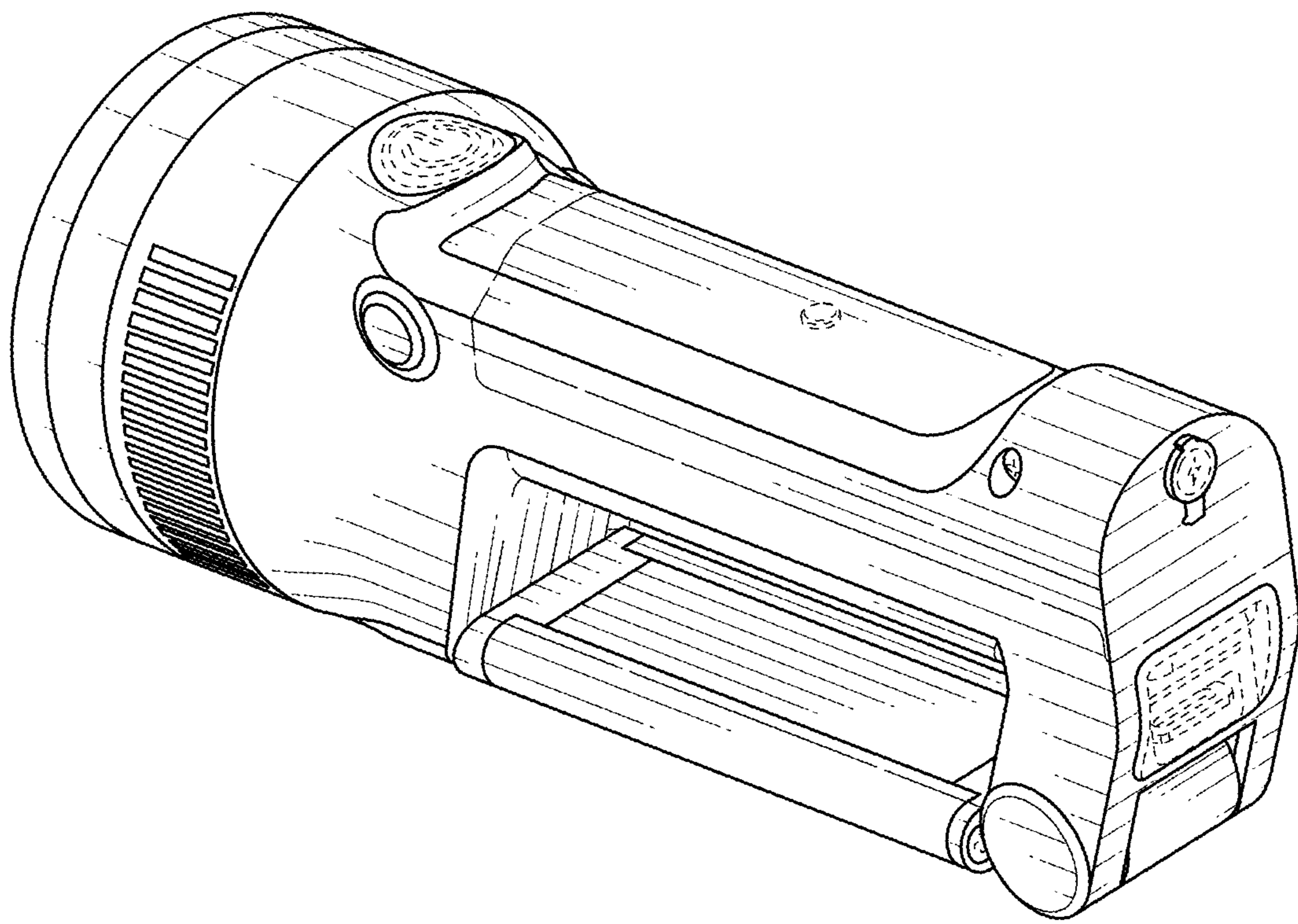


FIG. 1

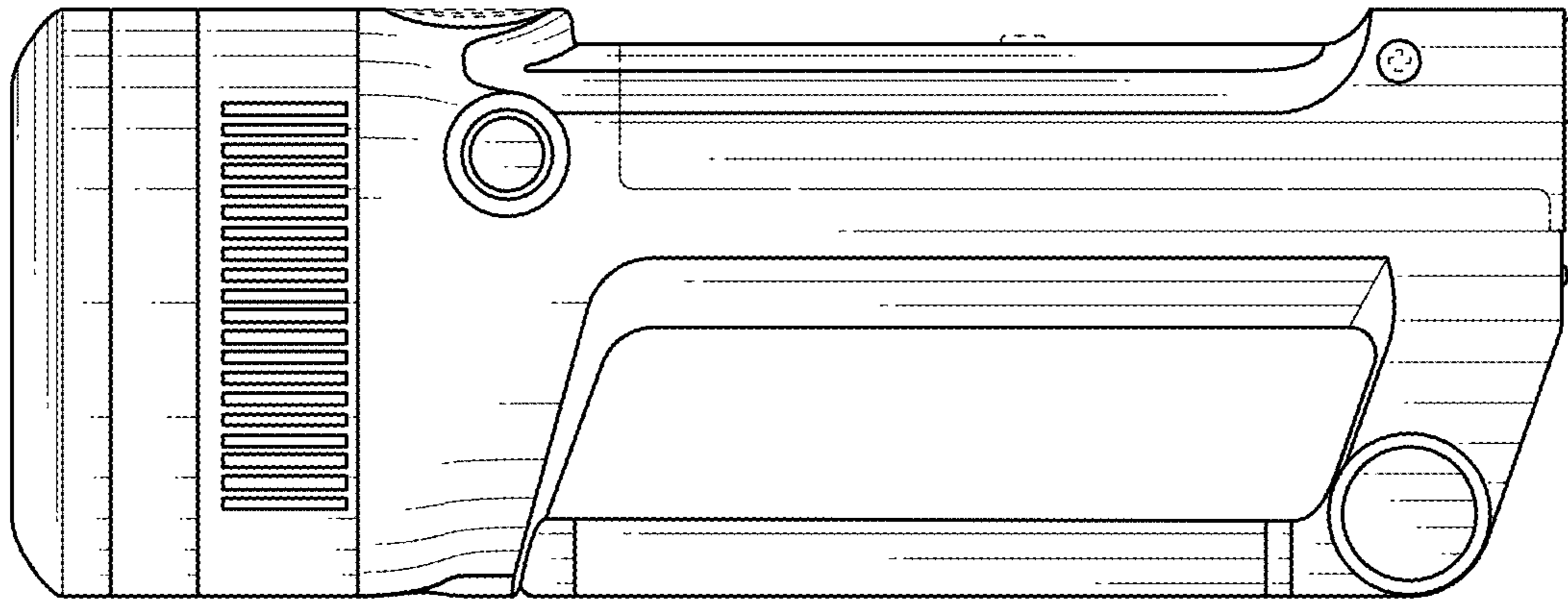


FIG. 2

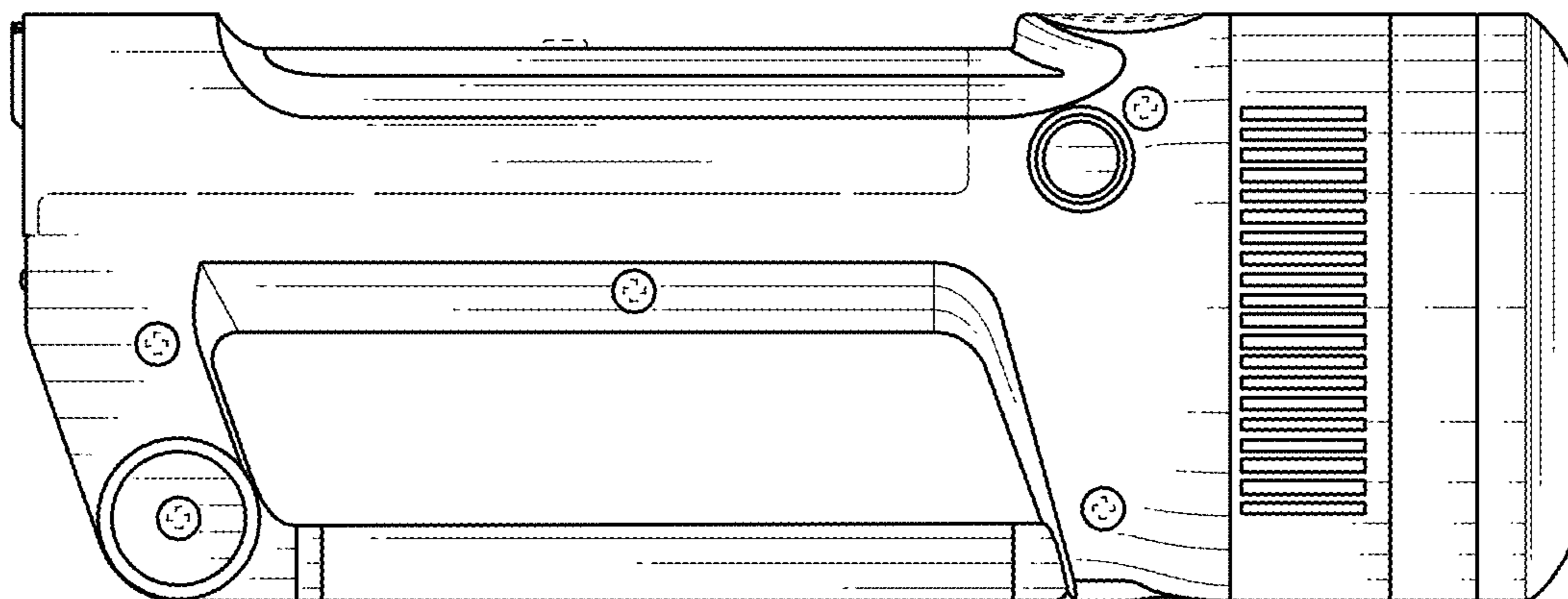


FIG. 3

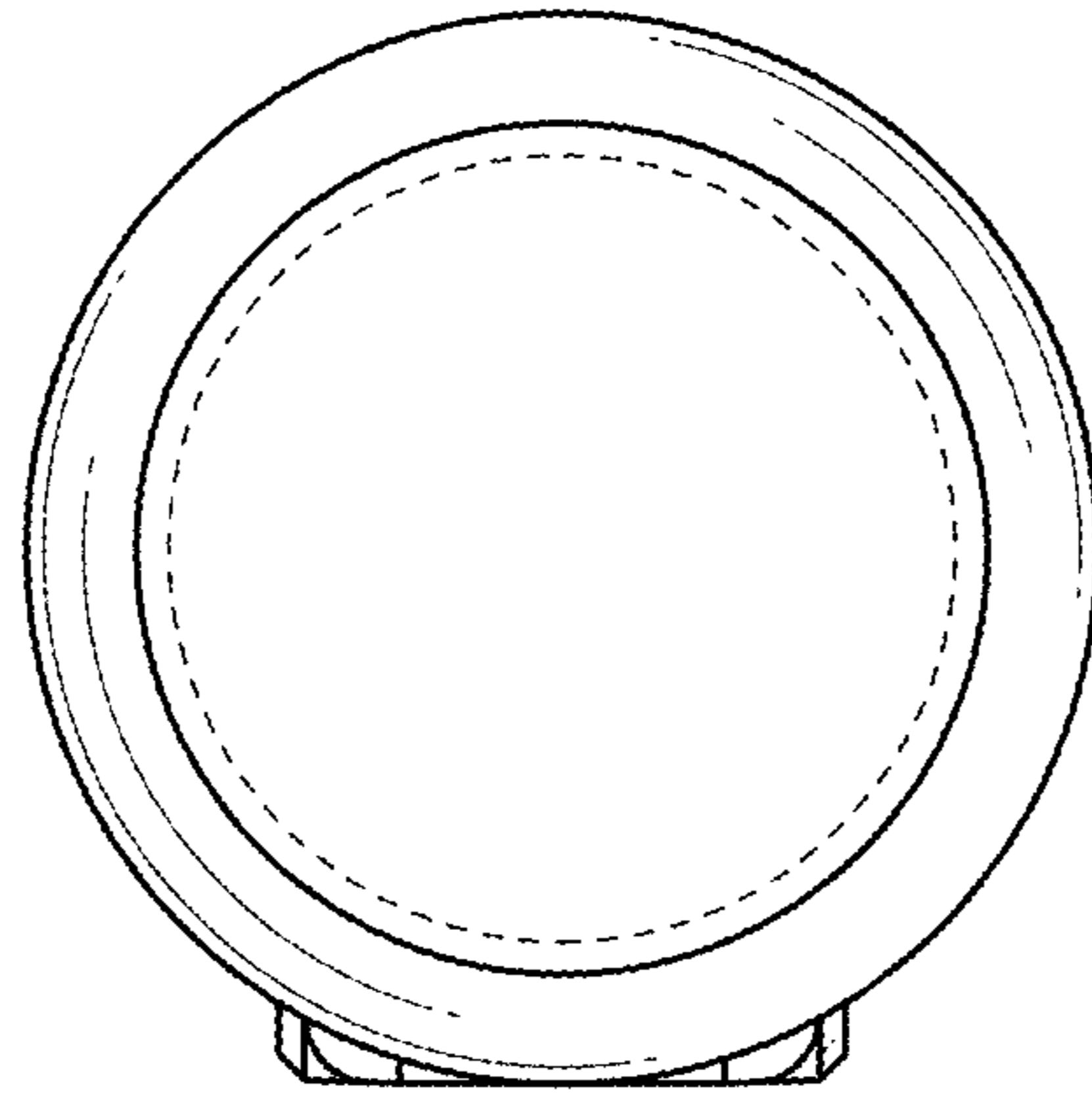


FIG. 4

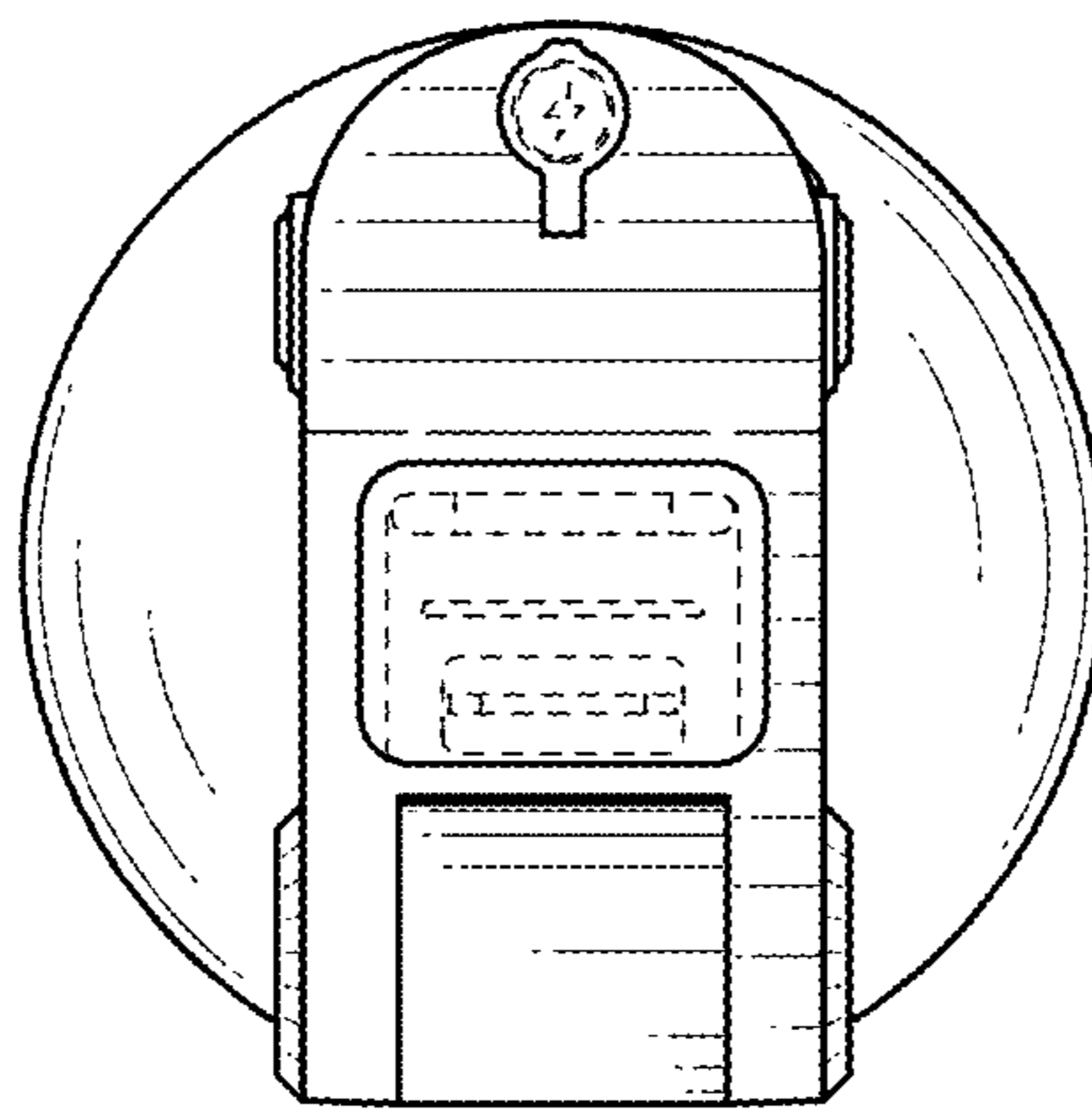


FIG. 5

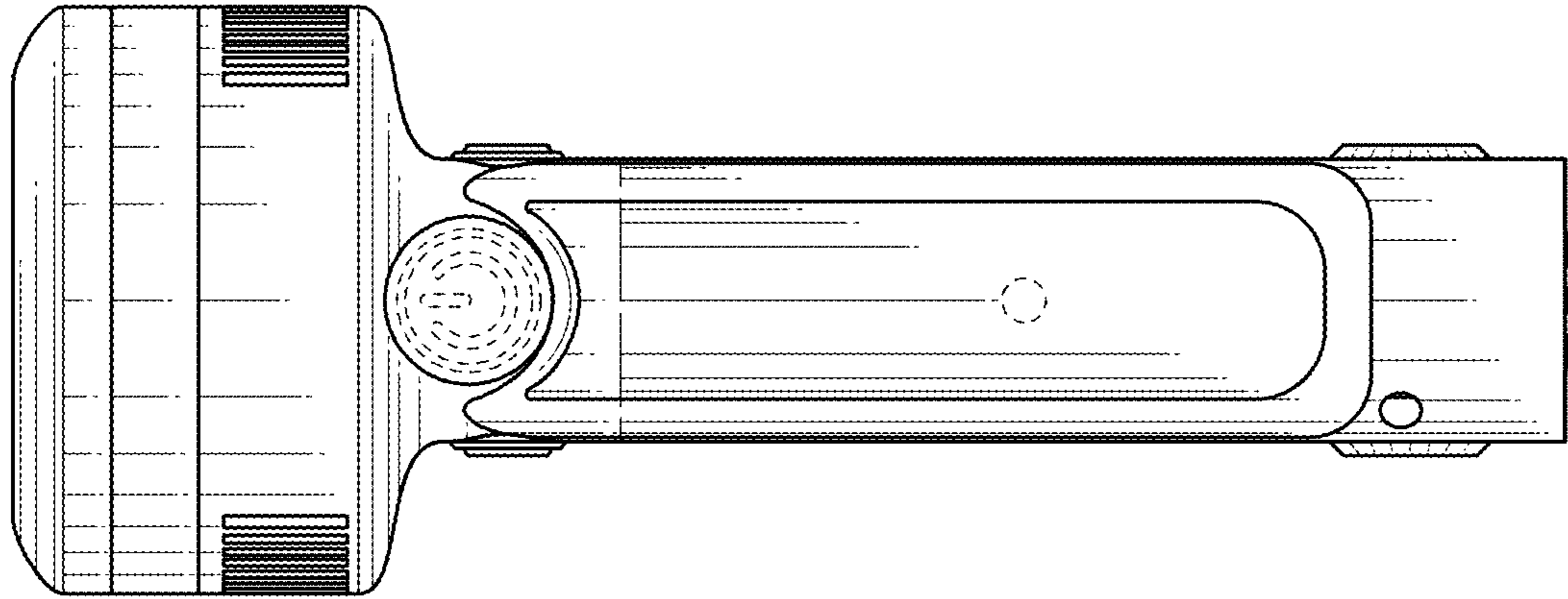


FIG. 6

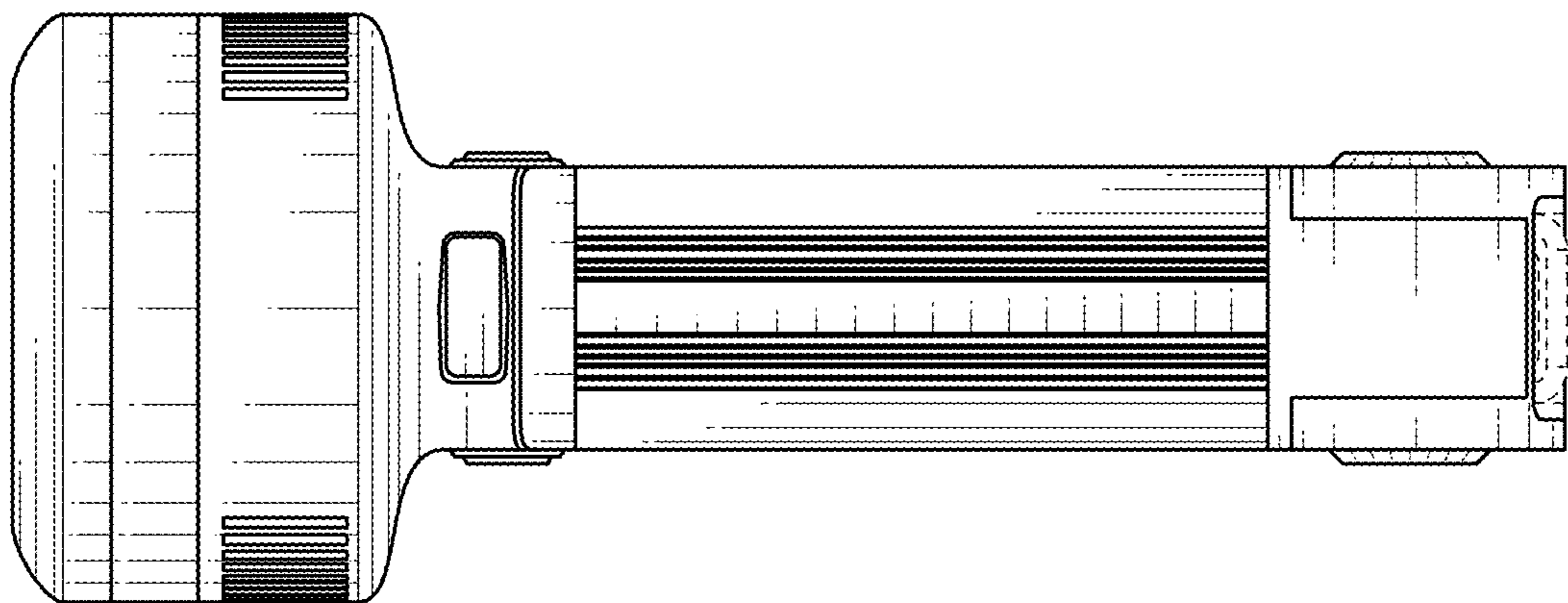


FIG. 7