



US00D922635S

(12) **United States Design Patent** (10) **Patent No.:** **US D922,635 S**
Gong (45) **Date of Patent:** **** Jun. 15, 2021**

(54) **LED LIGHT BAR FOR VEHICLES**

(71) Applicant: **Beiwen Gong**, Hunan (CN)

(72) Inventor: **Beiwen Gong**, Hunan (CN)

(**) Term: **15 Years**

(21) Appl. No.: **29/613,921**

(22) Filed: **Aug. 15, 2017**

(51) **LOC (13) Cl.** **20-06**

(52) **U.S. Cl.**
USPC **D26/35**

(58) **Field of Classification Search**
USPC D26/28-31, 72, 75-77, 92
CPC B60Q 1/2611; B60Q 1/24; B60Q 1/245;
B60Q 1/18; F21S 48/00; F21S 48/10;
F21S 48/115; F21S 48/225; F21S
48/1233; F21S 48/1266; F21S 48/1388;
F21S 48/2268; F21V 21/04

See application file for complete search history.

(56) **References Cited**

U.S. PATENT DOCUMENTS

| | | | | |
|--------------|---------|-----------|-------|-----------|
| D314,244 S * | 1/1991 | Matsumura | | D26/35 |
| D330,946 S * | 11/1992 | Dieperink | | D26/77 |
| D343,016 S * | 1/1994 | Matsukawa | | D26/35 |
| D459,012 S * | 6/2002 | Shemitz | | D26/76 |
| D653,783 S * | 2/2012 | Biro | | D26/31 |
| D740,473 S * | 10/2015 | Chen | | D26/35 |
| D749,253 S * | 2/2016 | Marroquin | | D26/31 |
| D768,896 S * | 10/2016 | Smith | | D26/31 |
| D776,314 S * | 1/2017 | Aho | | D10/114.4 |
| D781,474 S * | 3/2017 | Graham | | D26/31 |

| | | | | |
|-------------------|---------|----------|-------|----------------------|
| D782,090 S * | 3/2017 | Graham | | D26/31 |
| D807,550 S * | 1/2018 | Tong | | D26/35 |
| D821,239 S * | 6/2018 | Tong | | D10/114.4 |
| D822,245 S * | 7/2018 | Yan | | D26/31 |
| D823,152 S * | 7/2018 | Deyaf | | D10/114.4 |
| D838,394 S * | 1/2019 | Bennett | | D26/35 |
| D846,786 S * | 4/2019 | Tremaine | | D26/76 |
| D855,237 S * | 7/2019 | Liu | | D26/76 |
| 10,364,971 B2 * | 7/2019 | Harrison | | F21V 15/012 |
| D865,247 S * | 10/2019 | Grewer | | D26/31 |
| 2013/0278139 A1 * | 10/2013 | Sievers | | H05B 45/37 315/77 |

* cited by examiner

Primary Examiner — Mark A Goodwin
Assistant Examiner — Benjamin M Weeks

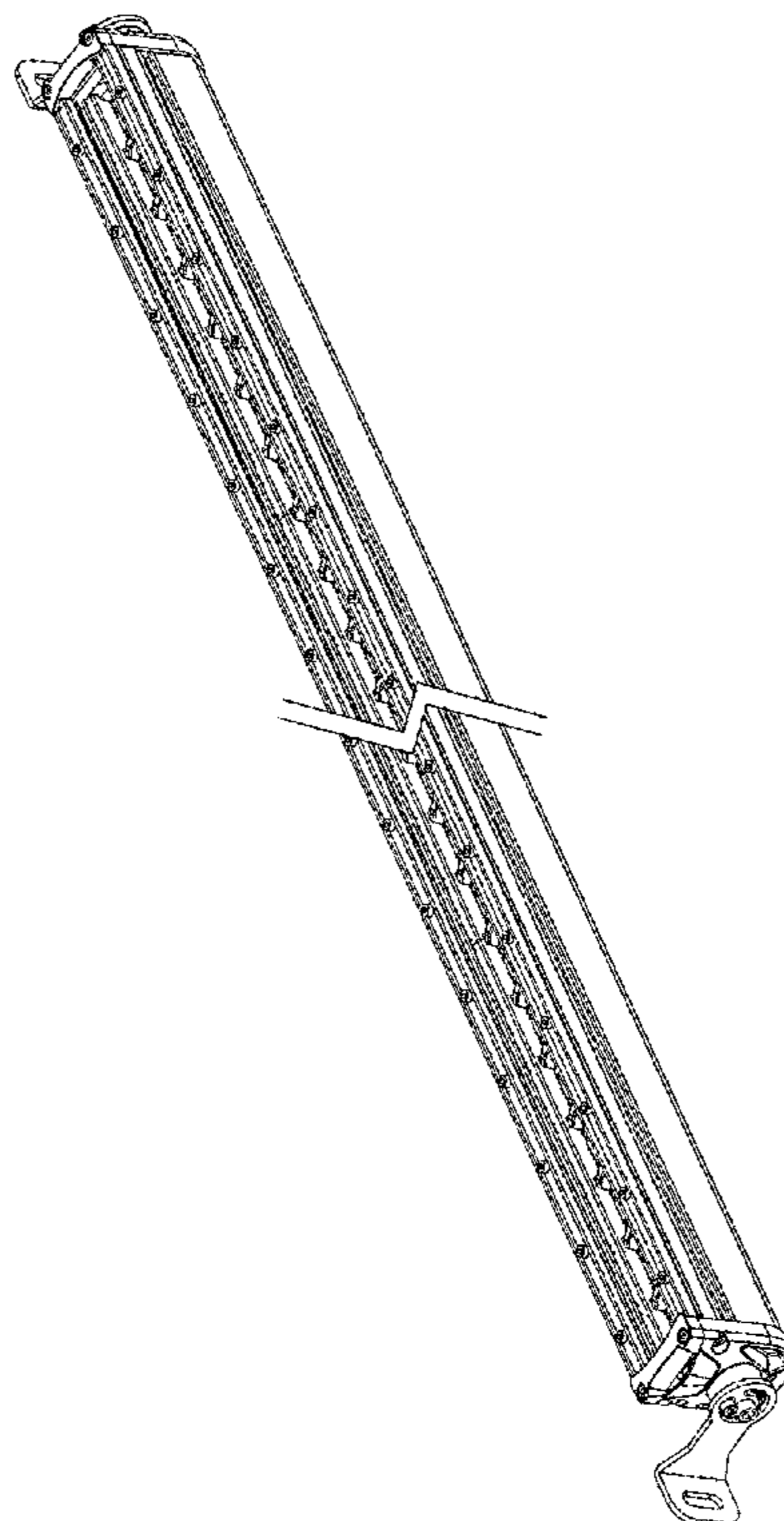
(57) **CLAIM**

The ornamental design for LED light bar for vehicles, as shown and described.

DESCRIPTION

FIG. 1 is a perspective view of LED light bar for vehicles showing my new design;
FIG. 2 is a front elevational view thereof;
FIG. 3 is a rear elevational view thereof;
FIG. 4 is an enlarged left side elevation view thereof;
FIG. 5 is an enlarged right side elevation view thereof;
FIG. 6 is a top plan view thereof; and,
FIG. 7 is a bottom plan view thereof.
The break lines showing in the middle portion of the LED light bar for vehicles indicates that the appearance of any portion of the article between the break lines forms no part of the claimed design.

1 Claim, 7 Drawing Sheets



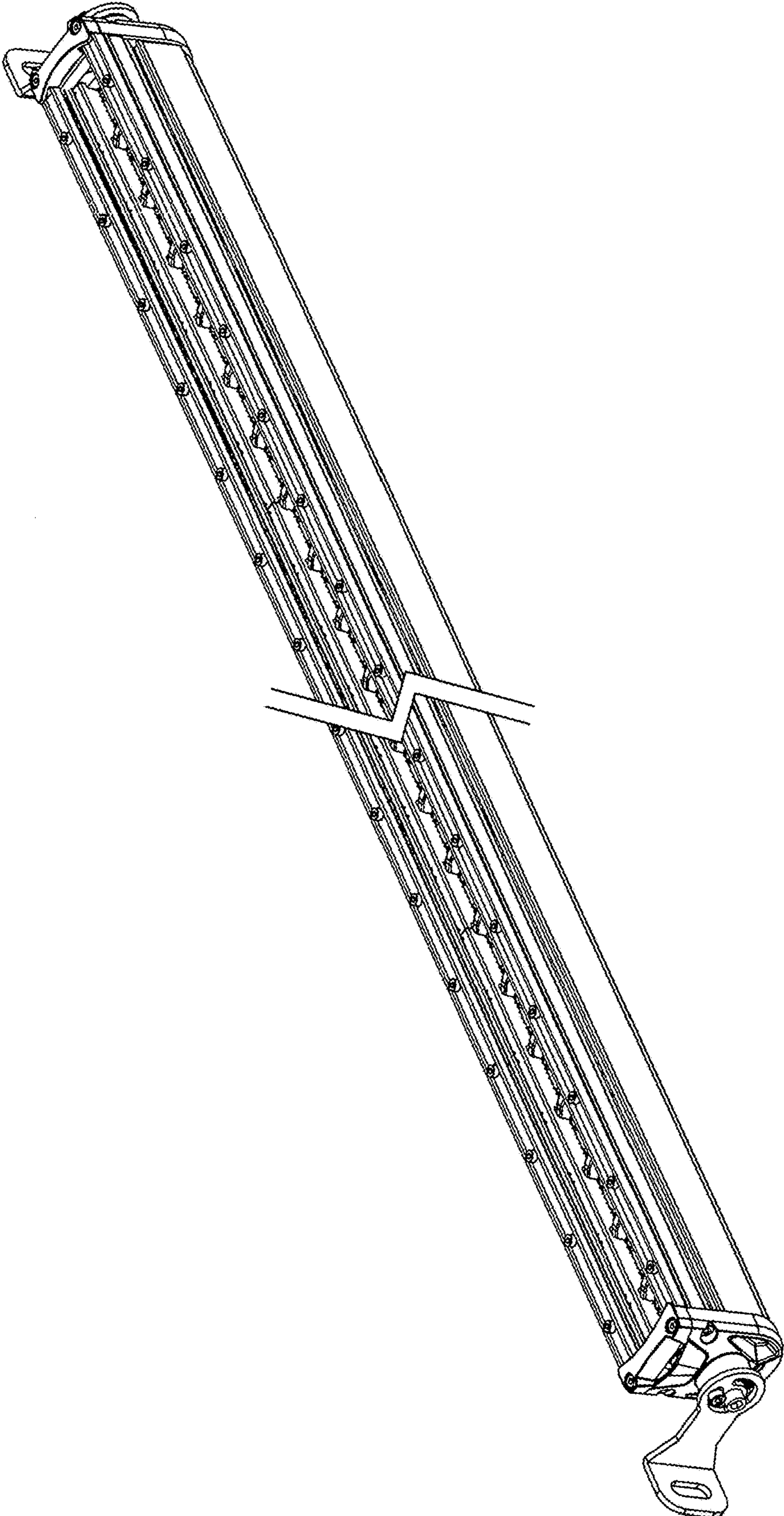


FIG. 1

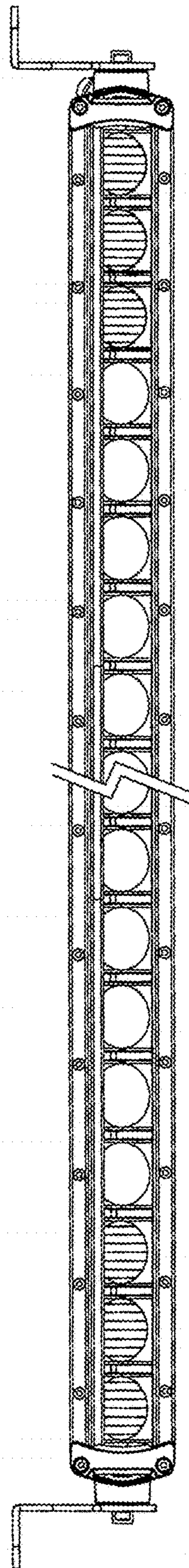


FIG. 2

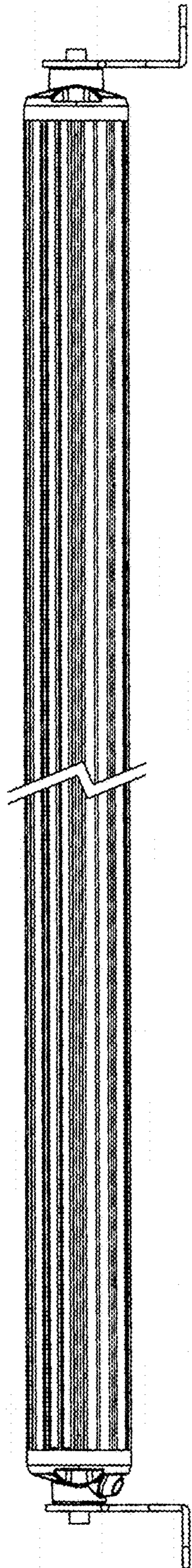


FIG. 3

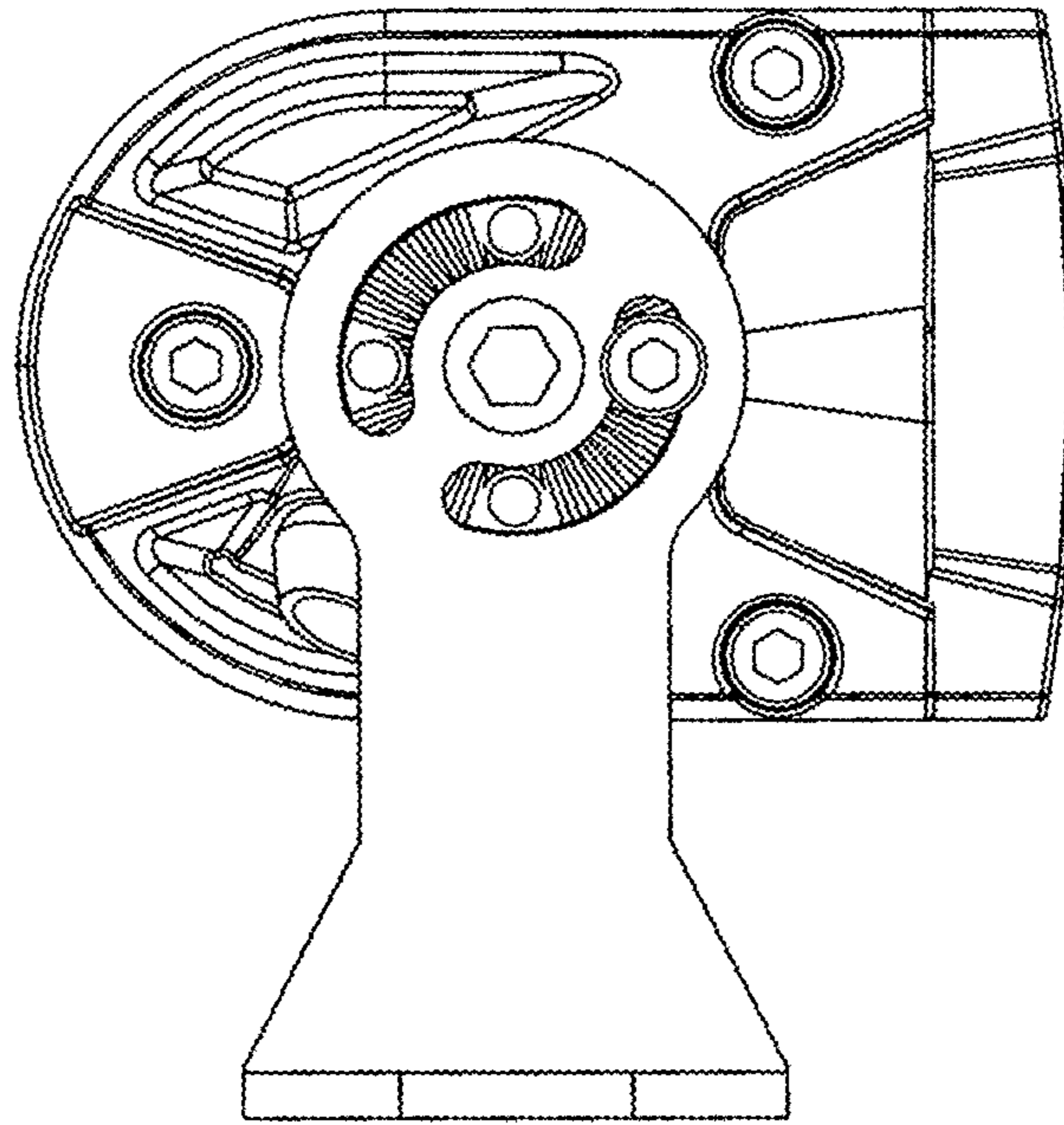


FIG. 4

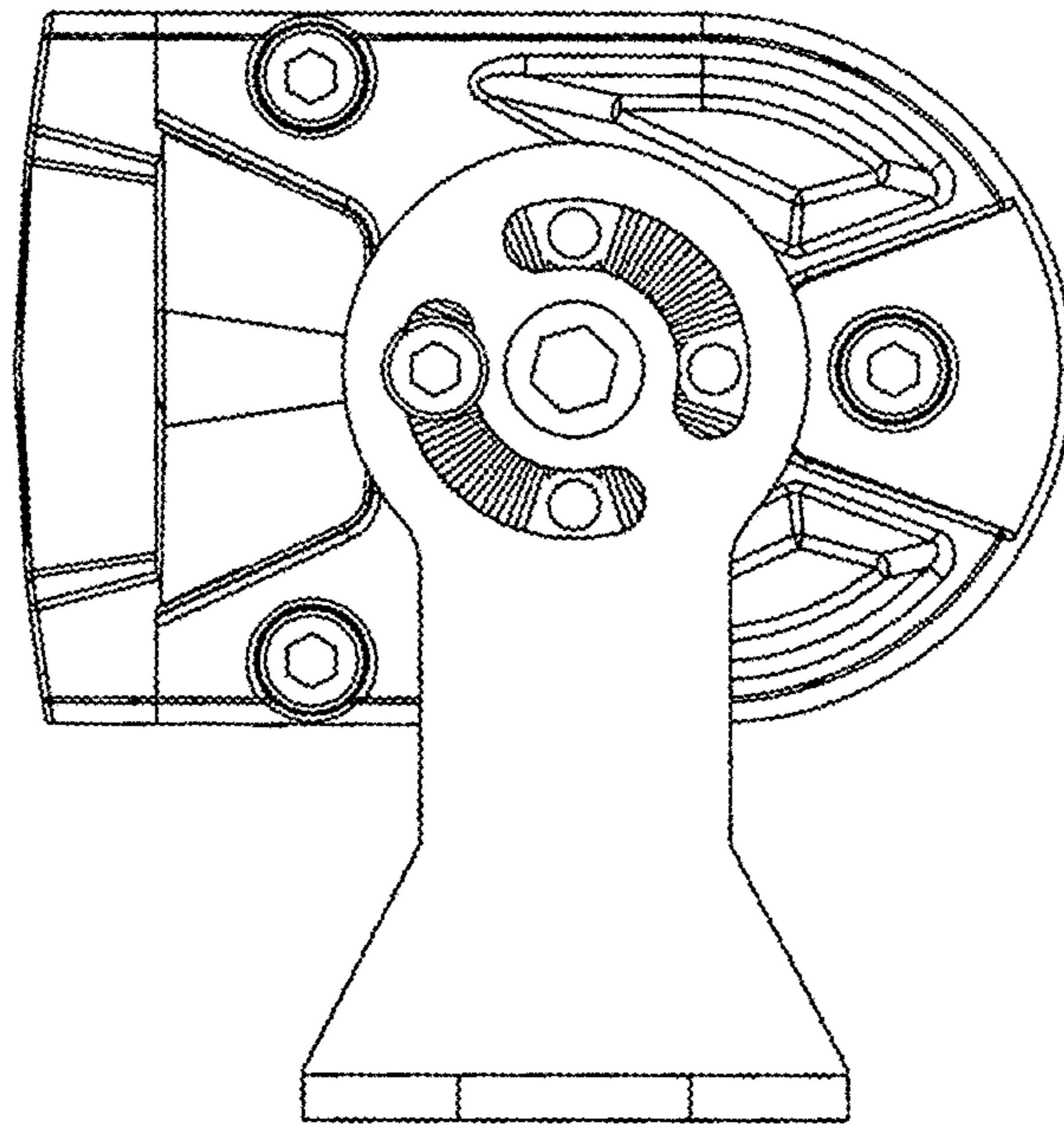


FIG. 5

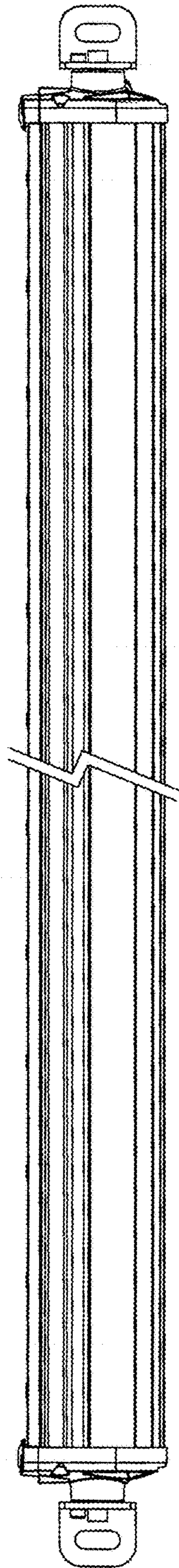


FIG. 6

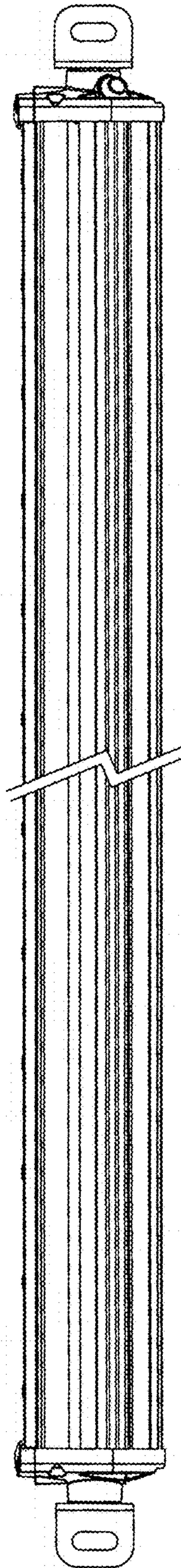


FIG. 7