



US00D922633S

(12) **United States Design Patent**
Jin et al.

(10) **Patent No.:** **US D922,633 S**
(45) **Date of Patent:** **** Jun. 15, 2021**

(54) **REAR COMBINATION LAMP FOR AUTOMOBILES**

(71) Applicants: **KIA MOTORS CORPORATION**, Seoul (KR); **HYUNDAI MOTOR COMPANY**, Seoul (KR)

(72) Inventors: **Jeong-Hwa Jin**, Busan (KR); **Gwon-Hak Lee**, Hwaseong-si (KR); **Hyeong-Woon Rho**, Anyang-si (KR); **Moon-Soo Park**, Gwangmyeong-si (KR); **Dong-Hoon Choo**, Suwon-si (KR)

(**) Term: **15 Years**

(21) Appl. No.: **35/509,354**

(22) Filed: **May 10, 2019**

(80) **Hague Agreement Data**

Int. Filing Date: **May 10, 2019**
Int. Reg. No.: **DM/207845**
Int. Reg. Date: **May 10, 2019**
Int. Reg. Pub. Date: **May 15, 2020**

(51) **LOC (13) Cl.** **26-06**

(52) **U.S. Cl.**
USPC **D26/28**

(58) **Field of Classification Search**

USPC D26/28, 29, 34, 35, 36
CPC B60Q 1/30; B60Q 1/2607; B60Q 1/2619;
B60Q 1/2696; F21S 41/00; F21S 41/20;
F21S 41/30; F21S 43/14; F21S 43/15;
F21S 43/20

See application file for complete search history.

(56) **References Cited**

U.S. PATENT DOCUMENTS

D716,478 S * 10/2014 Loeb D26/28
D769,485 S * 10/2016 Morikawa D26/28

D844,192 S * 3/2019 Nordmann D26/28
D861,933 S * 10/2019 Munakata D26/28
D871,632 S * 12/2019 Kim D26/28
D893,774 S * 8/2020 Binder D26/28
D895,863 S * 9/2020 Jeong D26/28
D895,865 S * 9/2020 Cha D26/28

FOREIGN PATENT DOCUMENTS

WO D207845-001 * 5/2020

* cited by examiner

Primary Examiner — Kevin K Rudzinski

Assistant Examiner — Richard Kearney

(57) **CLAIM**

The ornamental design for a rear combination lamp for automobiles, as shown and described.

DESCRIPTION

1. Rear combination lamp for automobiles

1.1 : Perspective

1.2 : Front

1.3 : Back

1.4 : Left

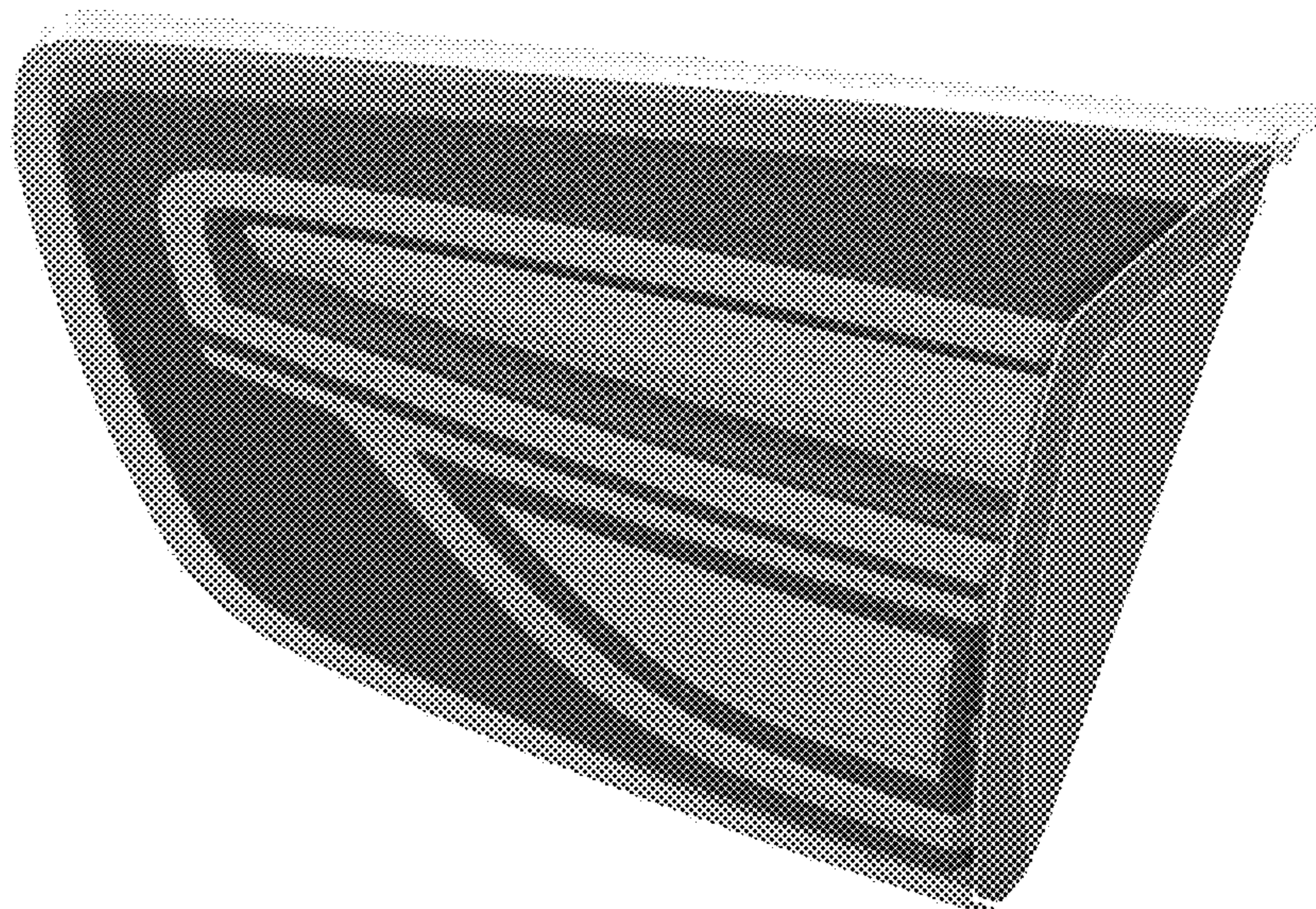
1.5 : Right

1.6 : Top

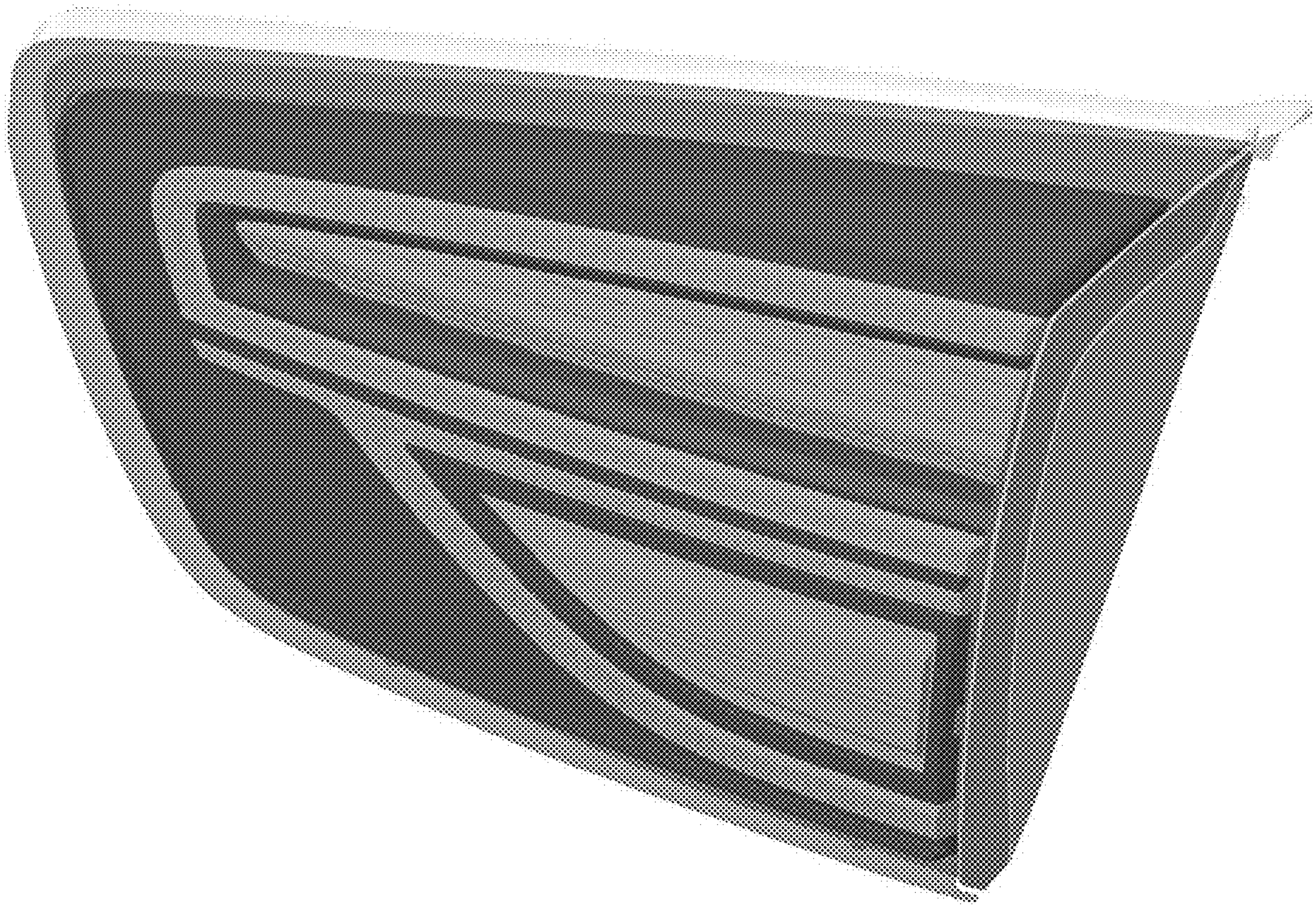
1.7 : Bottom

1.1 is a perspective view of a rear combination lamp for automobiles showing our new design; 1.2 is a front elevation view thereof; 1.3 is a back elevation view thereof; 1.4 is a left side elevation view thereof; 1.5 is a right side elevation view thereof; 1.6 is a top plan view thereof; and 1.7 is a bottom plan view thereof.

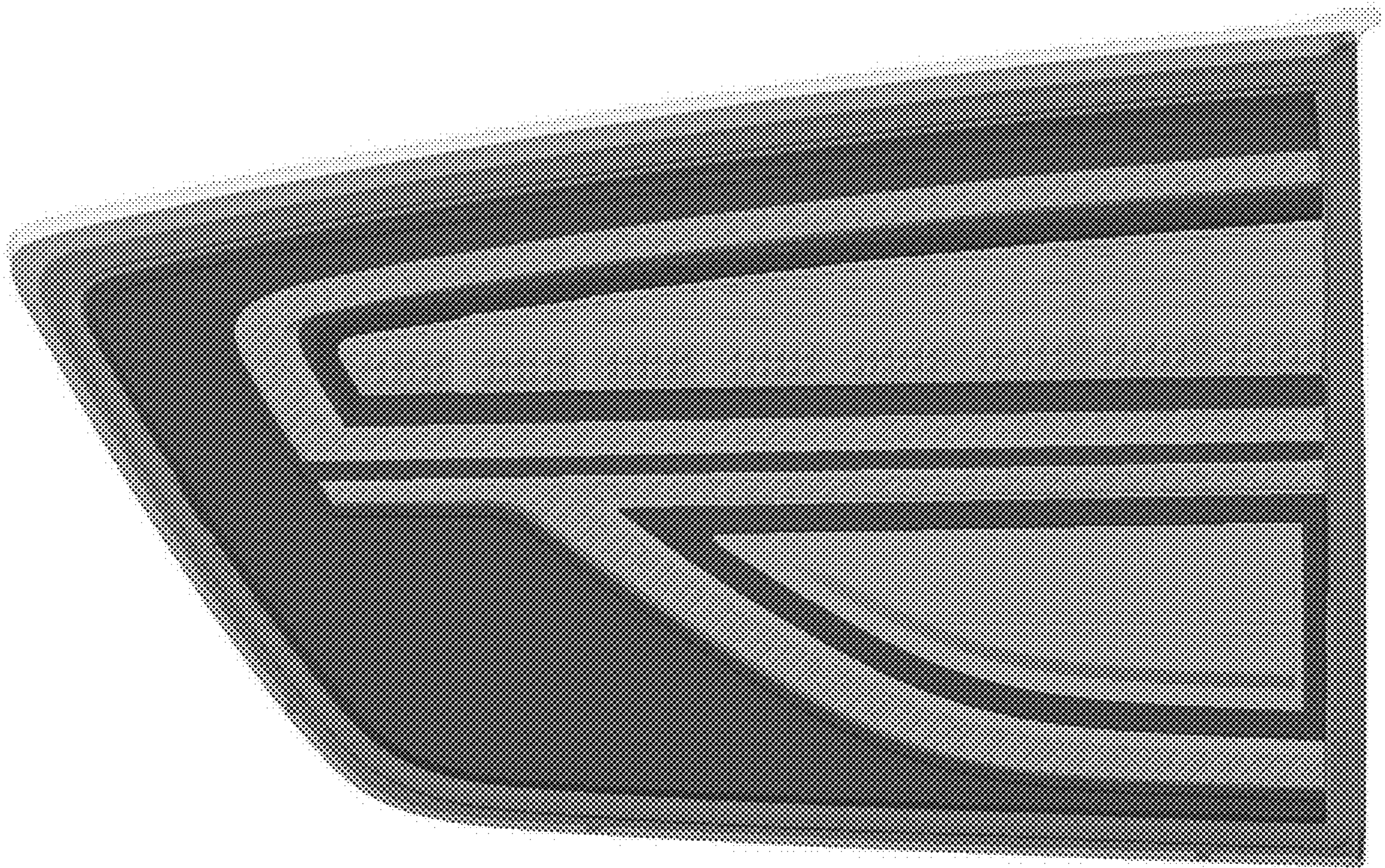
1 Claim, 7 Drawing Sheets



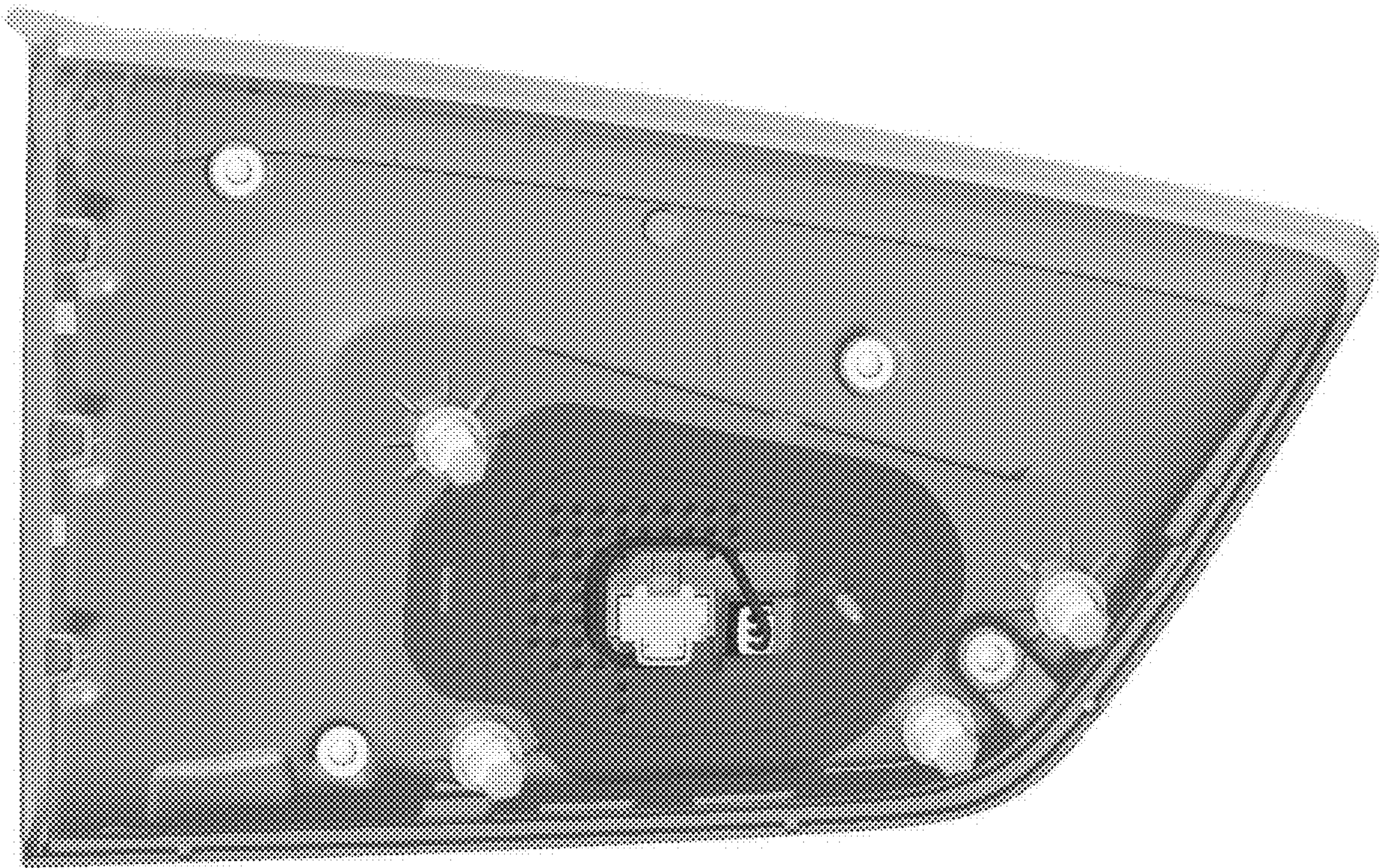
1.1



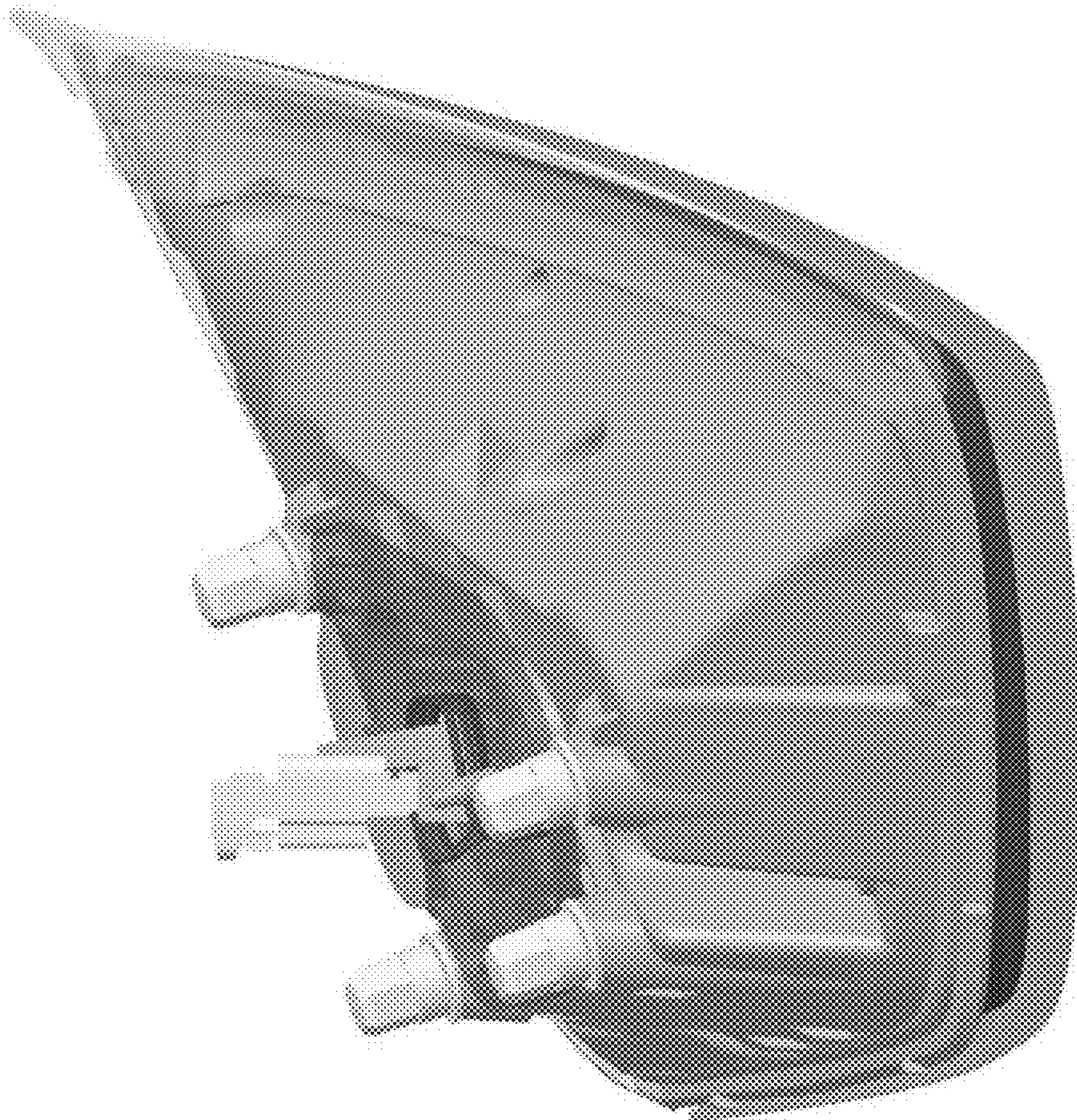
1.2



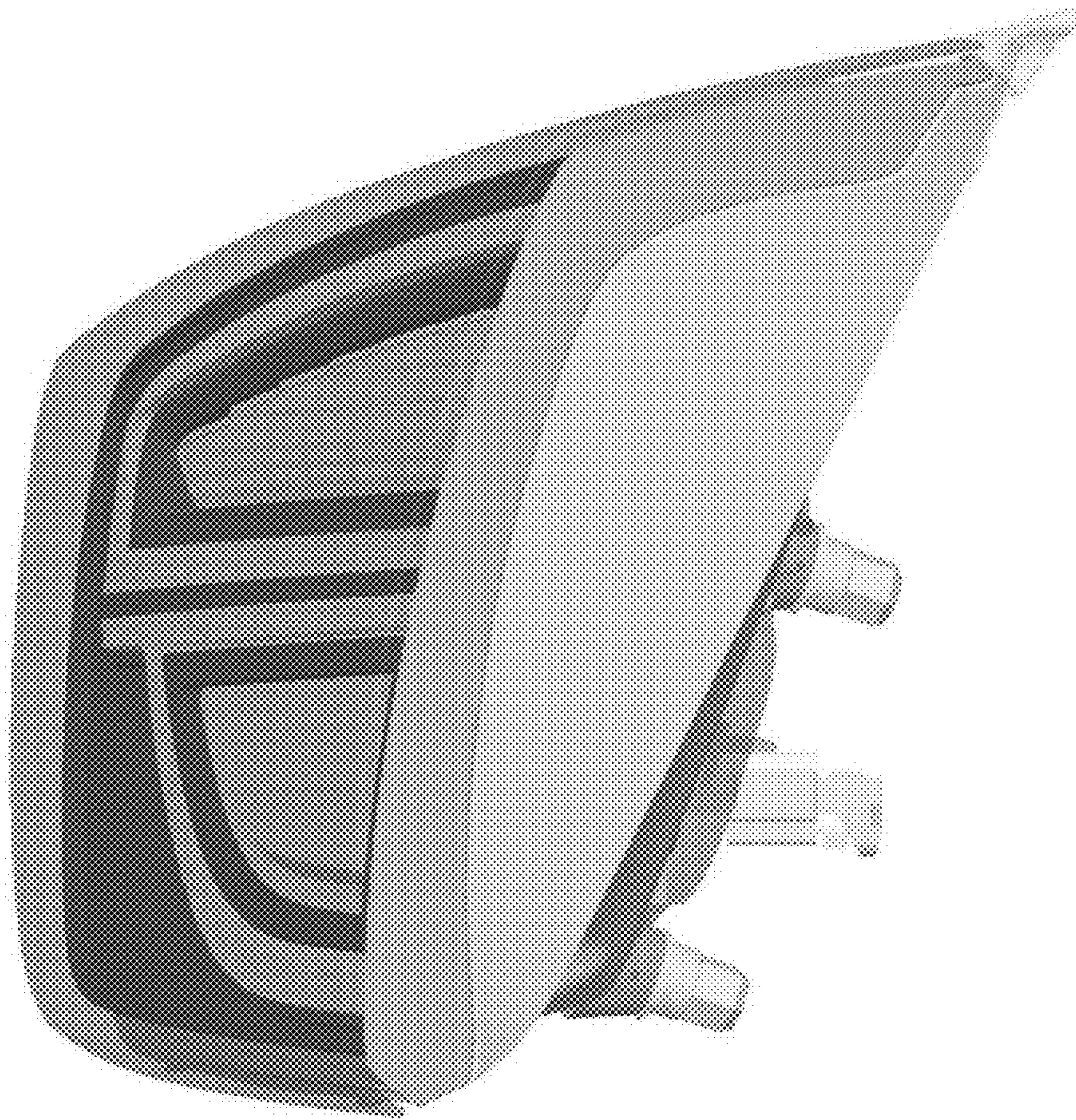
1.3



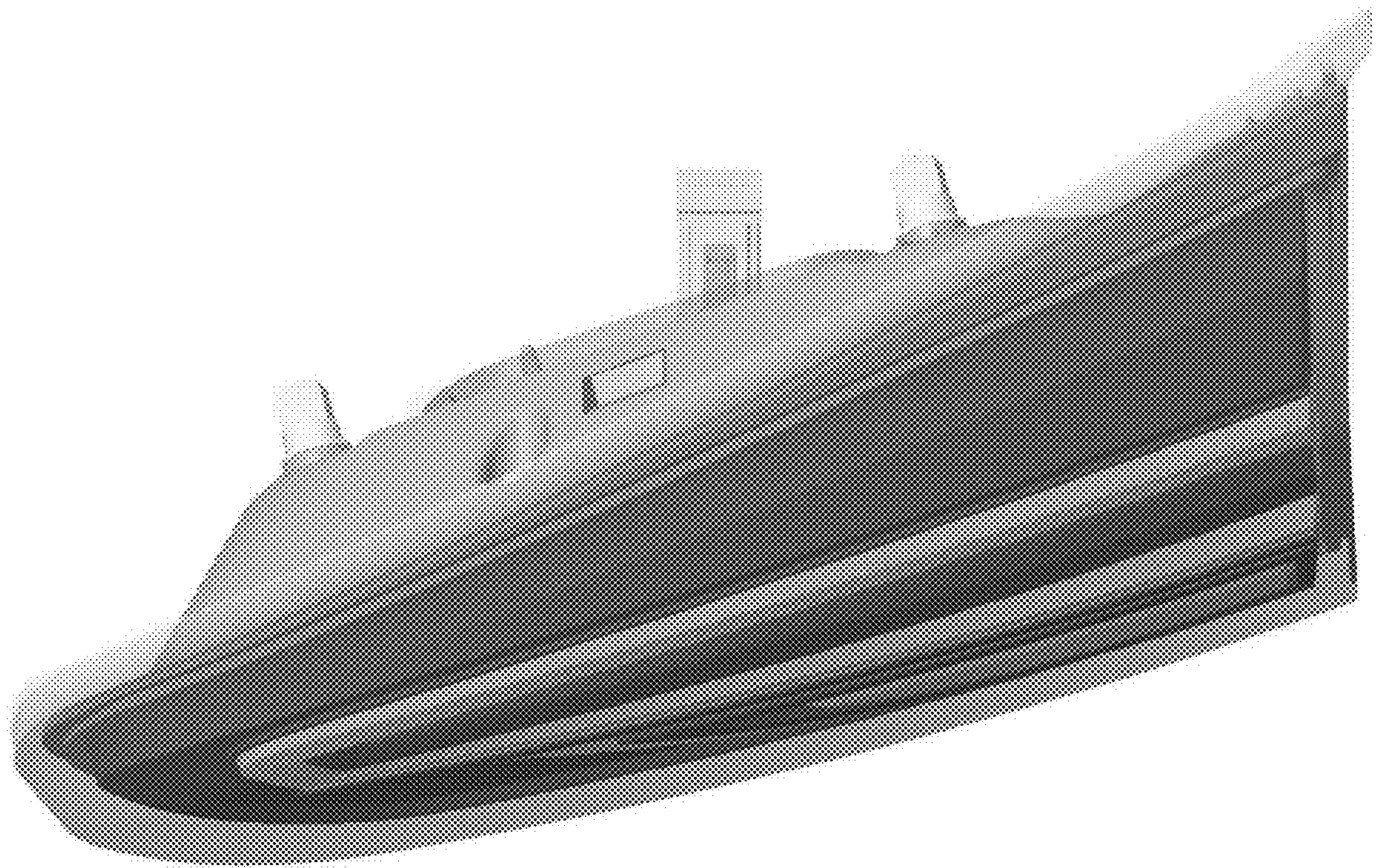
1.4



1.5



1.6



1.7

