

US00D922632S

(12) **United States Design Patent** (10) **Patent No.:** **US D922,632 S**  
**Lee et al.** (45) **Date of Patent:** **\*\* Jun. 15, 2021**

(54) **REAR COMBINATION LAMP FOR AUTOMOBILES**

(71) Applicants: **KIA MOTORS CORPORATION**, Seoul (KR); **HYUNDAI MOTOR COMPANY**, Seoul (KR)

(72) Inventors: **Gwon-Hak Lee**, Hwaseong-si (KR); **Moon-Soo Park**, Gwangmyeong-si (KR); **Hyeong-Woon Rho**, Anyang-si (KR); **Dong-Hoon Choo**, Suwon-si (KR); **Jeong-Hwa Jin**, Busan (KR)

(\*\*) Term: **15 Years**

(21) Appl. No.: **35/509,309**

(22) Filed: **May 10, 2019**

(80) **Hague Agreement Data**

Int. Filing Date: **May 10, 2019**  
Int. Reg. No.: **DM/207637**  
Int. Reg. Date: **May 10, 2019**  
Int. Reg. Pub. Date: **May 8, 2020**

(51) **LOC (13) Cl.** ..... **26-06**

(52) **U.S. Cl.**  
USPC ..... **D26/28**

(58) **Field of Classification Search**  
USPC ..... D26/28, 29, 34, 35, 36  
CPC ..... B60Q 1/30; B60Q 1/2607; B60Q 1/2619;  
B60Q 1/2696; F21S 41/00; F21S 41/20;  
F21S 41/30; F21S 43/14; F21S 43/15;  
F21S 43/20

See application file for complete search history.

(56) **References Cited**

**U.S. PATENT DOCUMENTS**

D749,757 S \* 2/2016 Han ..... D26/28  
D749,764 S \* 2/2016 Sa ..... D26/28  
D749,765 S \* 2/2016 Sa ..... D26/28

D756,003 S \* 5/2016 Kong ..... D26/28  
D792,989 S \* 7/2017 Han ..... D26/28  
D802,186 S \* 11/2017 Oh ..... D26/28  
D822,244 S \* 7/2018 Lee ..... D26/28  
D867,636 S \* 11/2019 Kong ..... D26/28  
D868,322 S \* 11/2019 Kong ..... D26/28  
D869,714 S \* 12/2019 Shim ..... D26/35  
D897,008 S \* 9/2020 Kim ..... D26/28  
2014/0247615 A1 \* 9/2014 Fadi ..... F21S 43/14  
362/511  
2014/0247616 A1 \* 9/2014 Arrivet ..... F21S 43/251  
362/511

**FOREIGN PATENT DOCUMENTS**

WO RGN-D207637-001 \* 2/2020

\* cited by examiner

*Primary Examiner* — Kevin K Rudzinski

*Assistant Examiner* — Richard Kearney

(57) **CLAIM**

The ornamental design for a rear combination lamp for automobiles, as shown and described.

**DESCRIPTION**

1. Rear combination lamp for automobiles

1.1 : Perspective

1.2 : Front

1.3 : Back

1.4 : Left

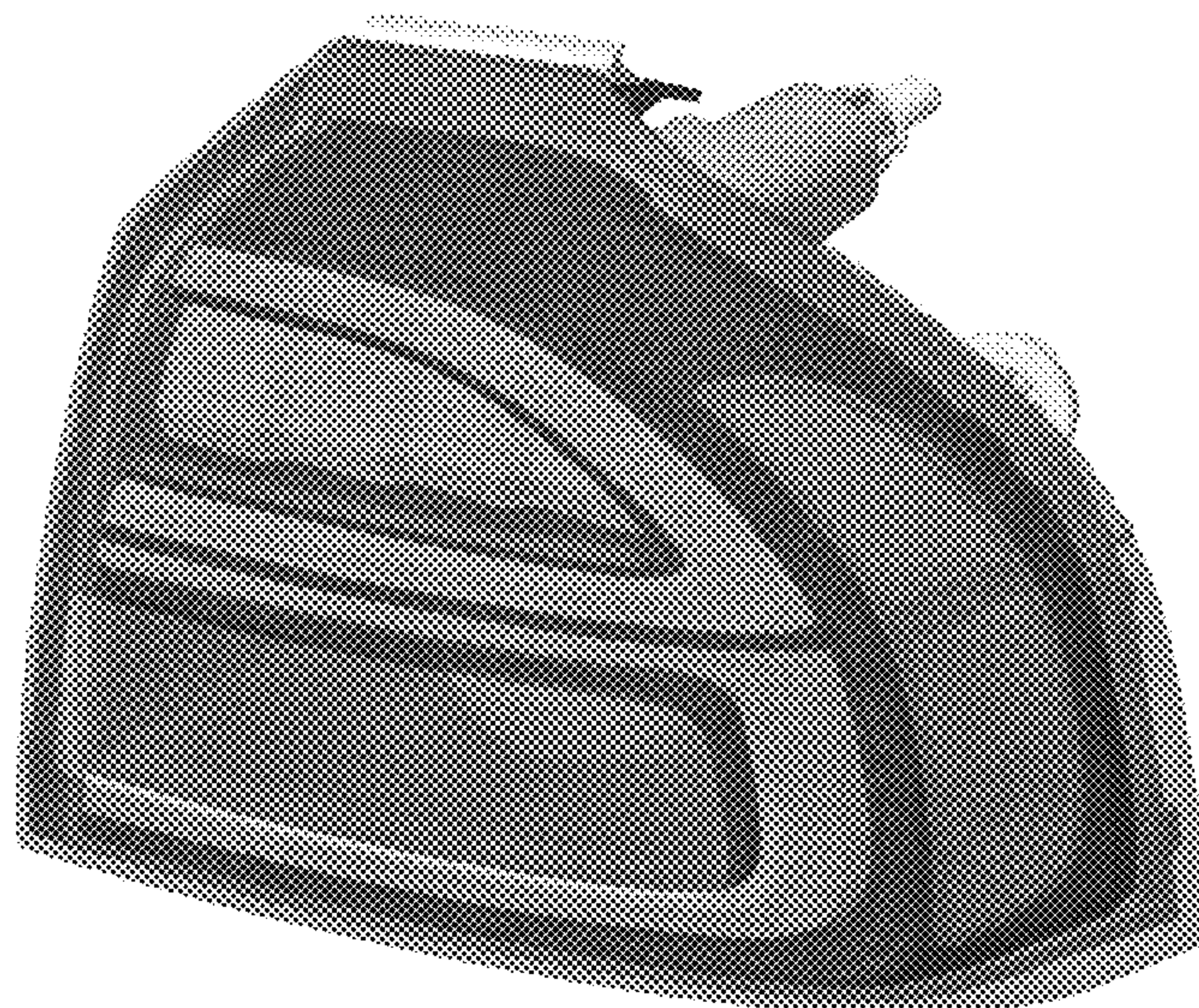
1.5 : Right

1.6 : Top

1.7 : Bottom

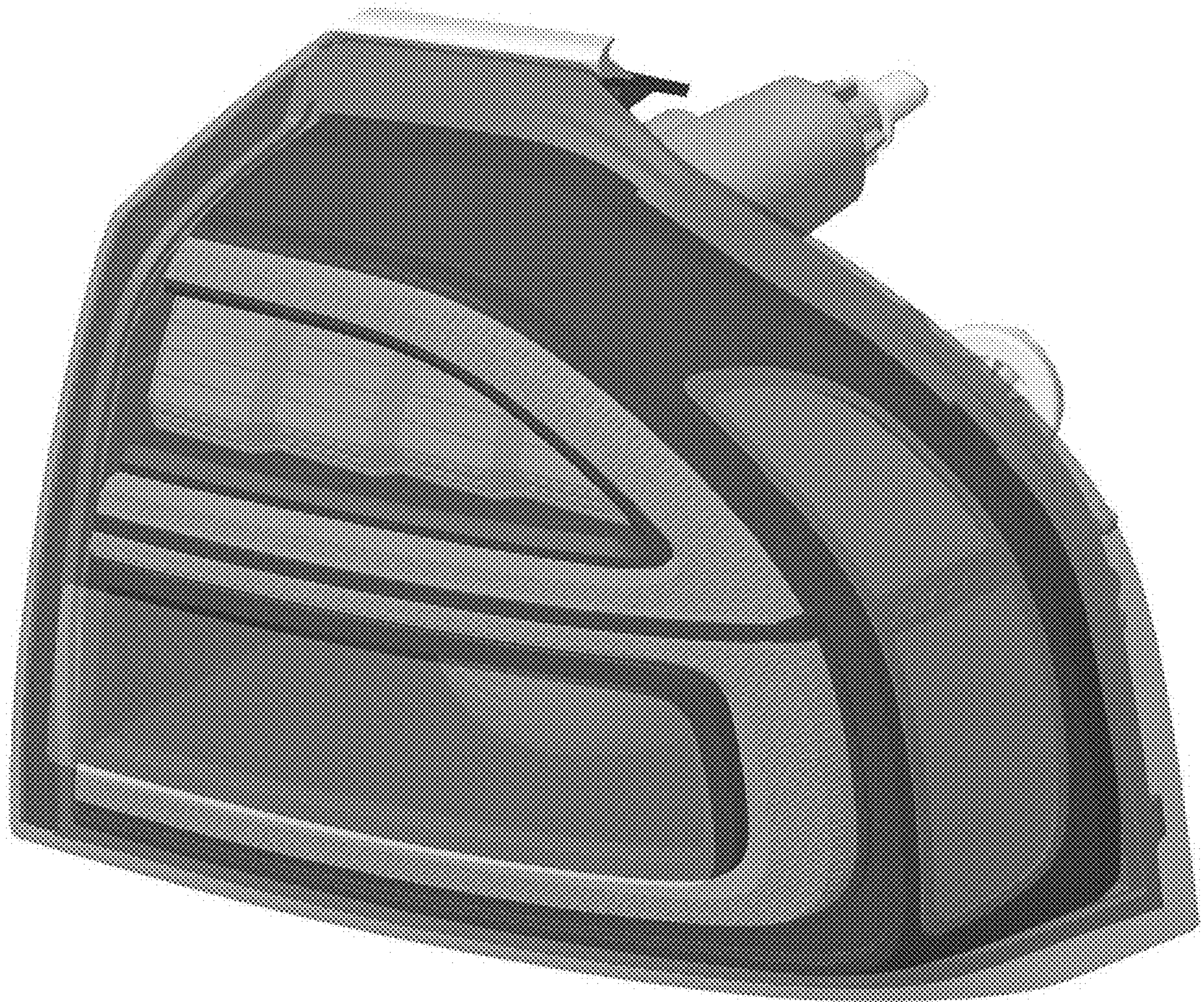
1.1 is a perspective view of a rear combination lamp for automobiles showing our new design; 1.2 is a front elevation view thereof; 1.3 is a back elevation view thereof; 1.4 is a left side elevation view thereof; 1.5 is a right side elevation view thereof; 1.6 is a top plan view thereof; and 1.7 is a bottom plan view thereof.

**1 Claim, 7 Drawing Sheets**



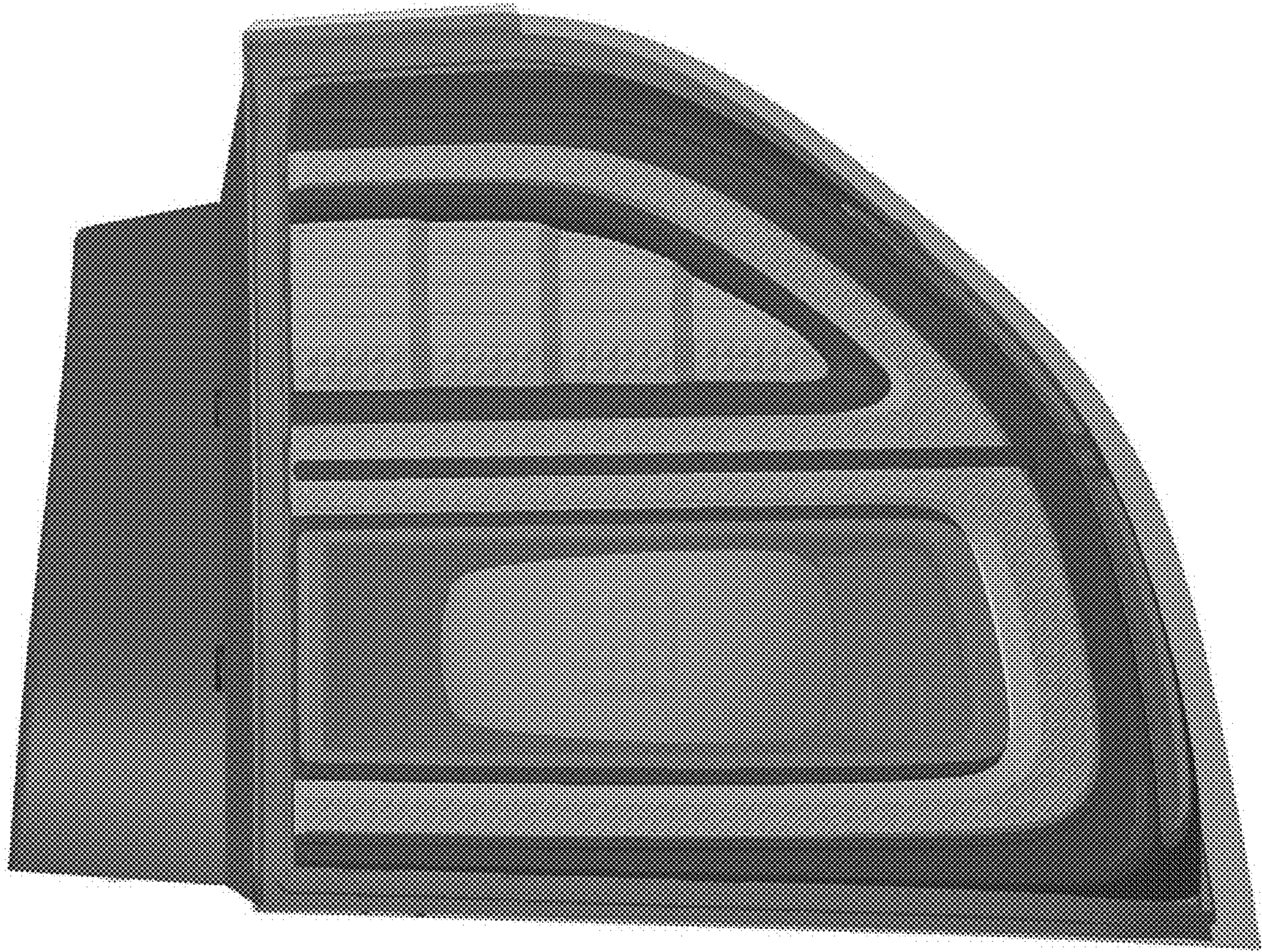


1.1



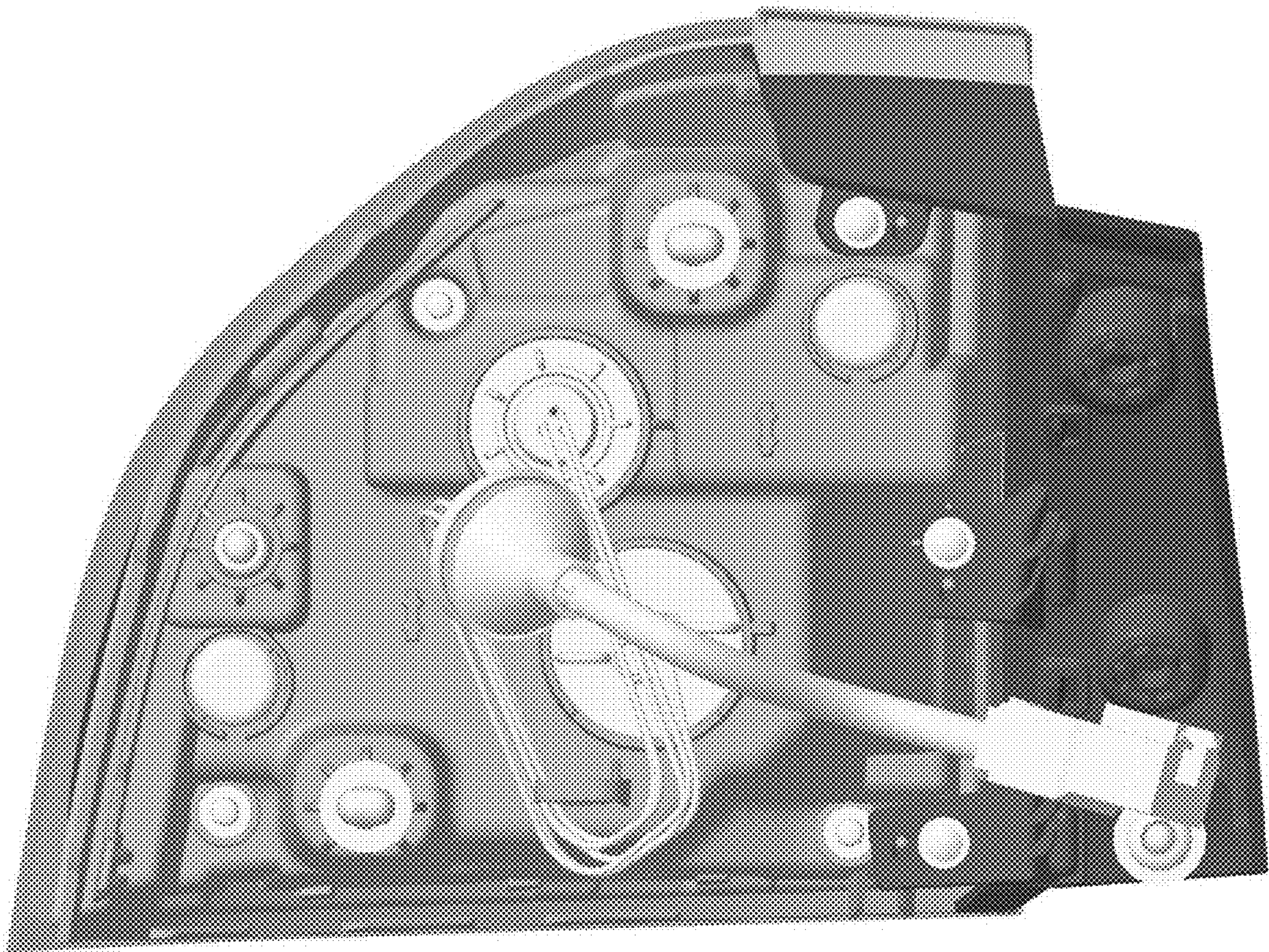


1.2



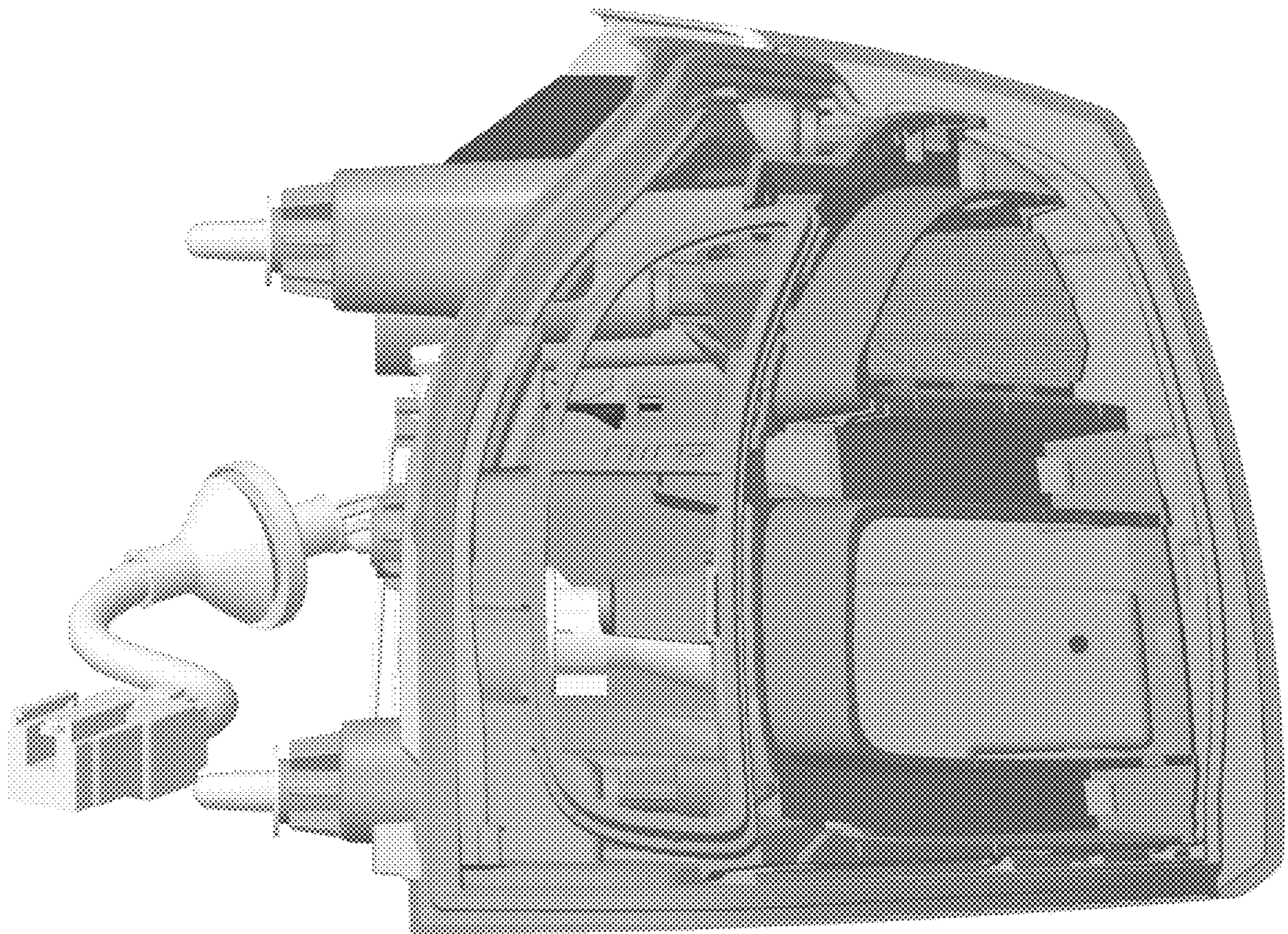


1.3



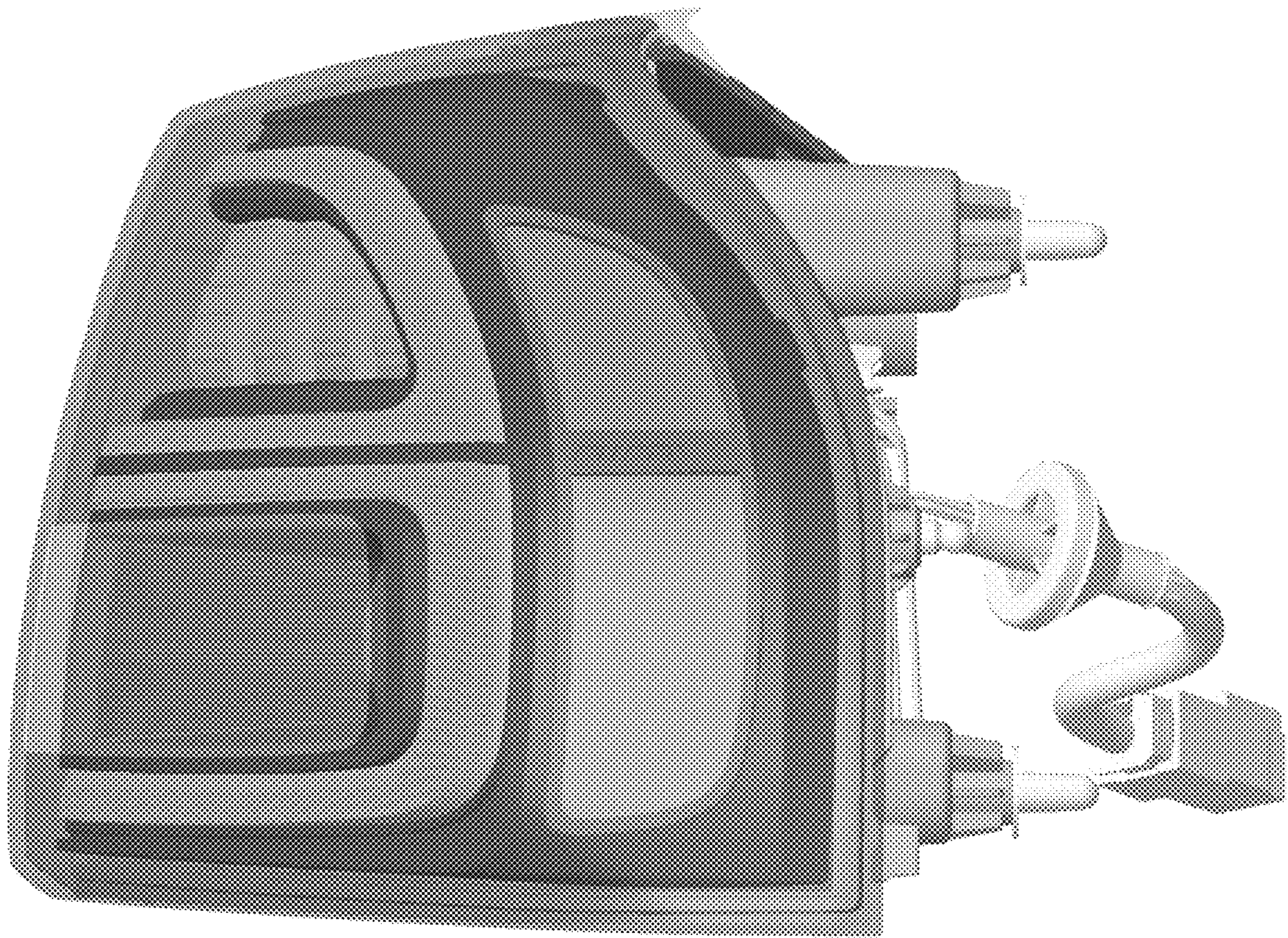


1.4



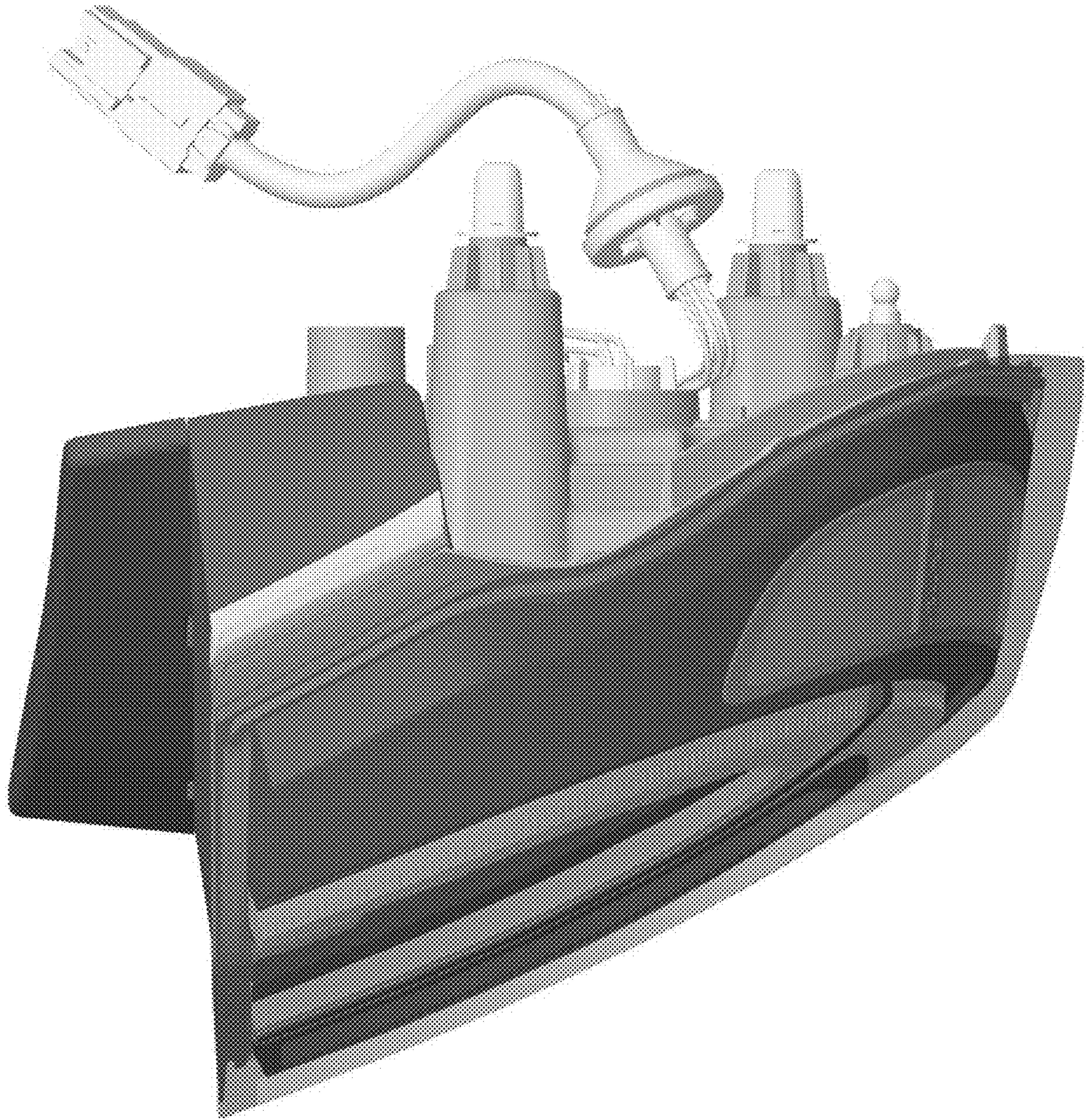


1.5





1.6





1.7

