



US00D922627S

(12) **United States Design Patent**  
**Yeh**

(10) **Patent No.:** **US D922,627 S**

(45) **Date of Patent:** **\*\* Jun. 15, 2021**

(54) **VEHICLE HEADLIGHT**

(71) Applicant: **Chun-Hung Yeh**, Jiangsu (CN)

(72) Inventor: **Chun-Hung Yeh**, Jiangsu (CN)

(\*\*) Term: **15 Years**

(21) Appl. No.: **29/760,019**

(22) Filed: **Nov. 27, 2020**

(51) **LOC (13) Cl.** ..... **26-06**

(52) **U.S. Cl.**  
USPC ..... **D26/28**

(58) **Field of Classification Search**  
USPC ..... D26/28-36, 139  
CPC ..... F21S 48/00; F21S 48/10; F21S 48/115;  
F21S 48/225; F21S 48/1233; F21S  
48/1266; F21S 48/1388; F21S 48/2268;  
F21V 5/00; F21V 21/04; F21V 29/004;  
B60Q 9/13; B60Q 9/135; B60Q 9/1375  
See application file for complete search history.

(56) **References Cited**

**U.S. PATENT DOCUMENTS**

D676,166 S \* 2/2013 Lai ..... D26/28  
D706,471 S \* 6/2014 Lai ..... D26/28

D718,893 S \* 12/2014 Lai ..... D26/28  
D720,870 S \* 1/2015 Lim ..... D26/28  
D721,450 S \* 1/2015 Lai ..... D26/28  
D761,463 S \* 7/2016 Lai ..... D26/28  
D796,715 S \* 9/2017 Lin ..... D26/28  
D803,432 S 11/2017 Choi  
D838,015 S 1/2019 McMahan et al.  
D838,883 S 1/2019 Ko  
D897,575 S 9/2020 Manzoni

\* cited by examiner

*Primary Examiner* — Marcus A Jackson

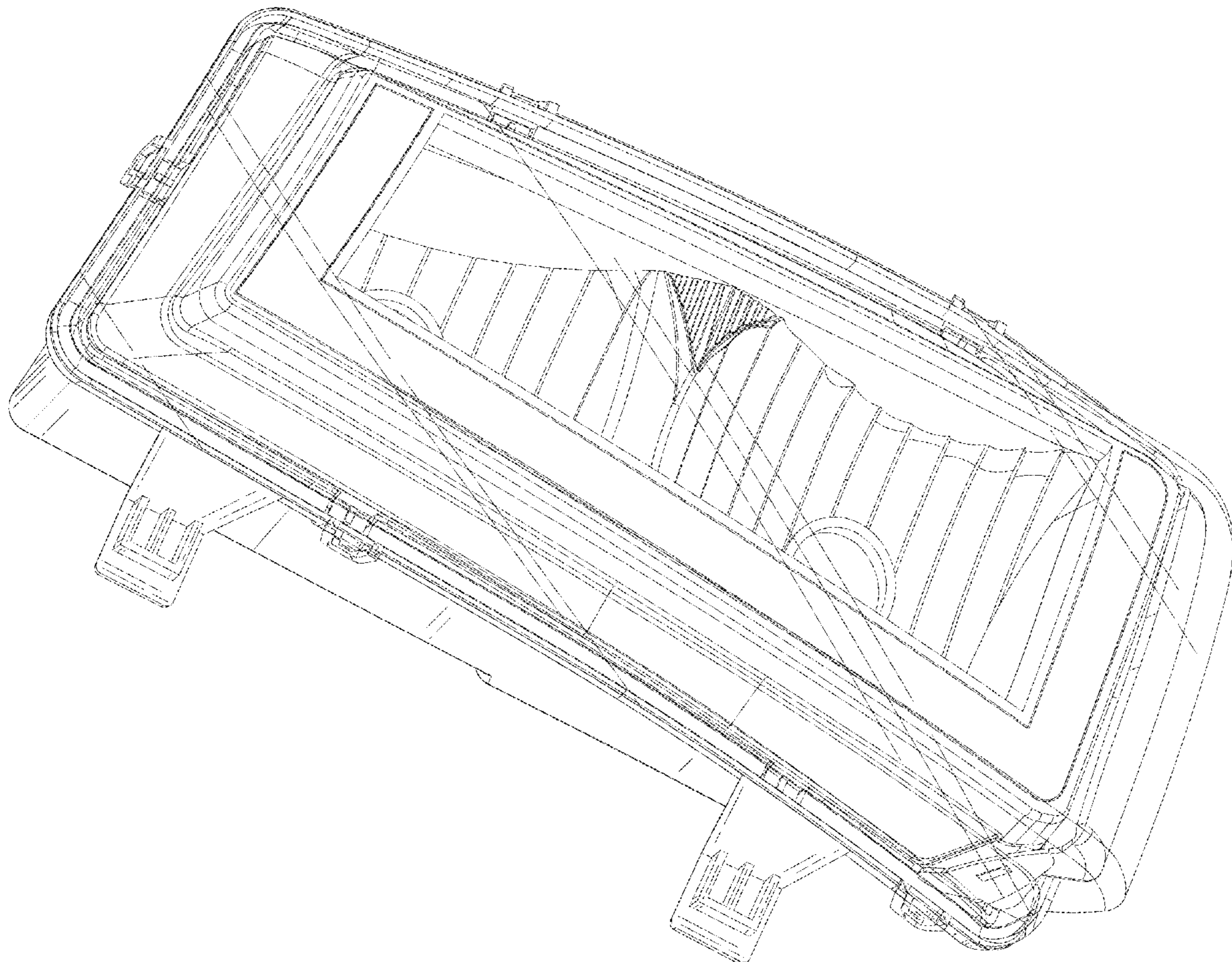
(57) **CLAIM**

The ornamental design for vehicle headlight, as shown and described.

**DESCRIPTION**

FIG. 1 is a perspective view of vehicle headlight showing our new design;  
FIG. 2 is another perspective view thereof;  
FIG. 3 is a front view thereof;  
FIG. 4 is a back view thereof;  
FIG. 5 is a top view thereof;  
FIG. 6 is a bottom view thereof;  
FIG. 7 is an enlarged right view thereof; and,  
FIG. 8 is an enlarged left view thereof.  
The broken lines shown on the drawings depict portions of the vehicle headlight that form no part of the claimed design.

**1 Claim, 8 Drawing Sheets**



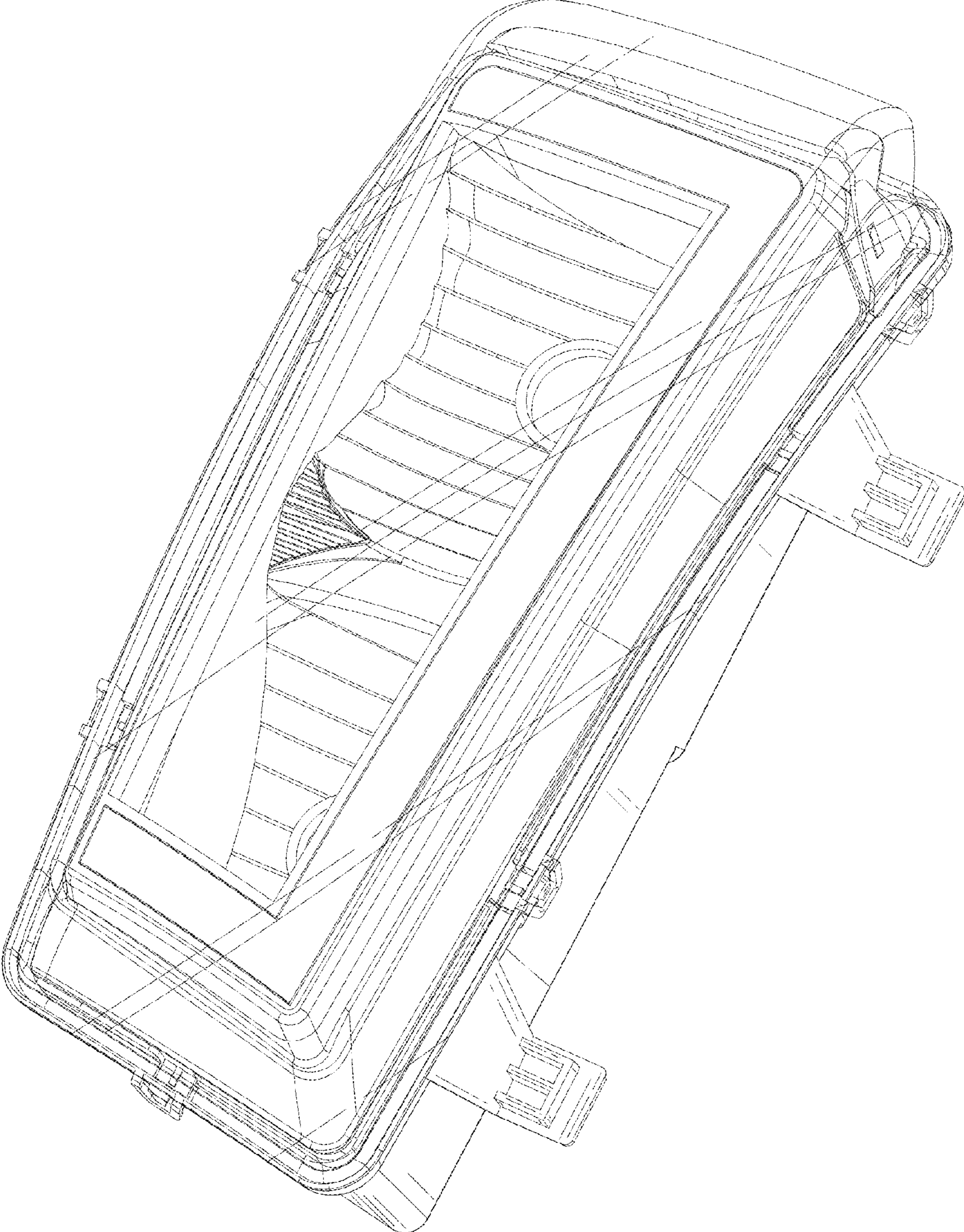


FIG. 1

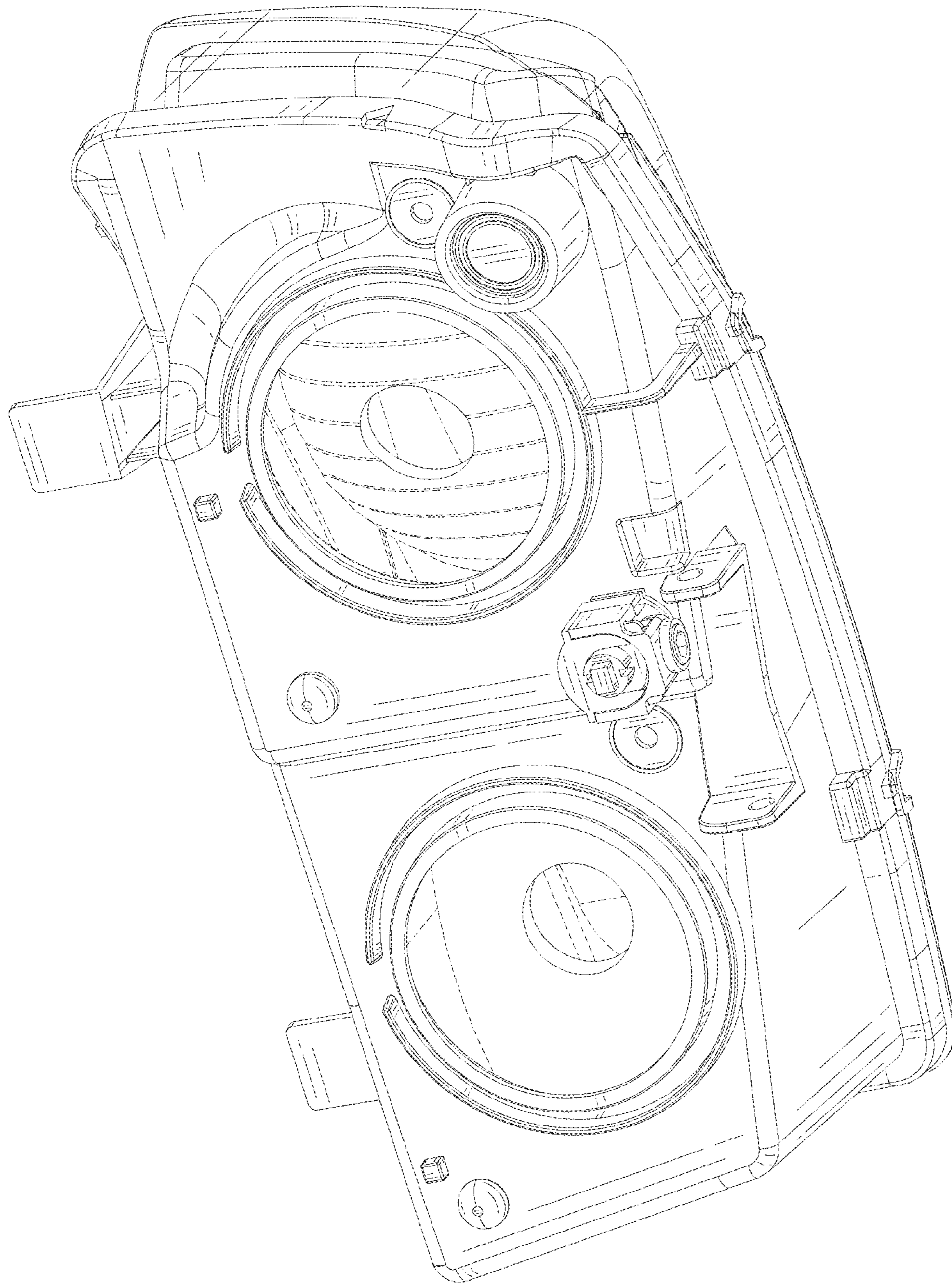


FIG. 2

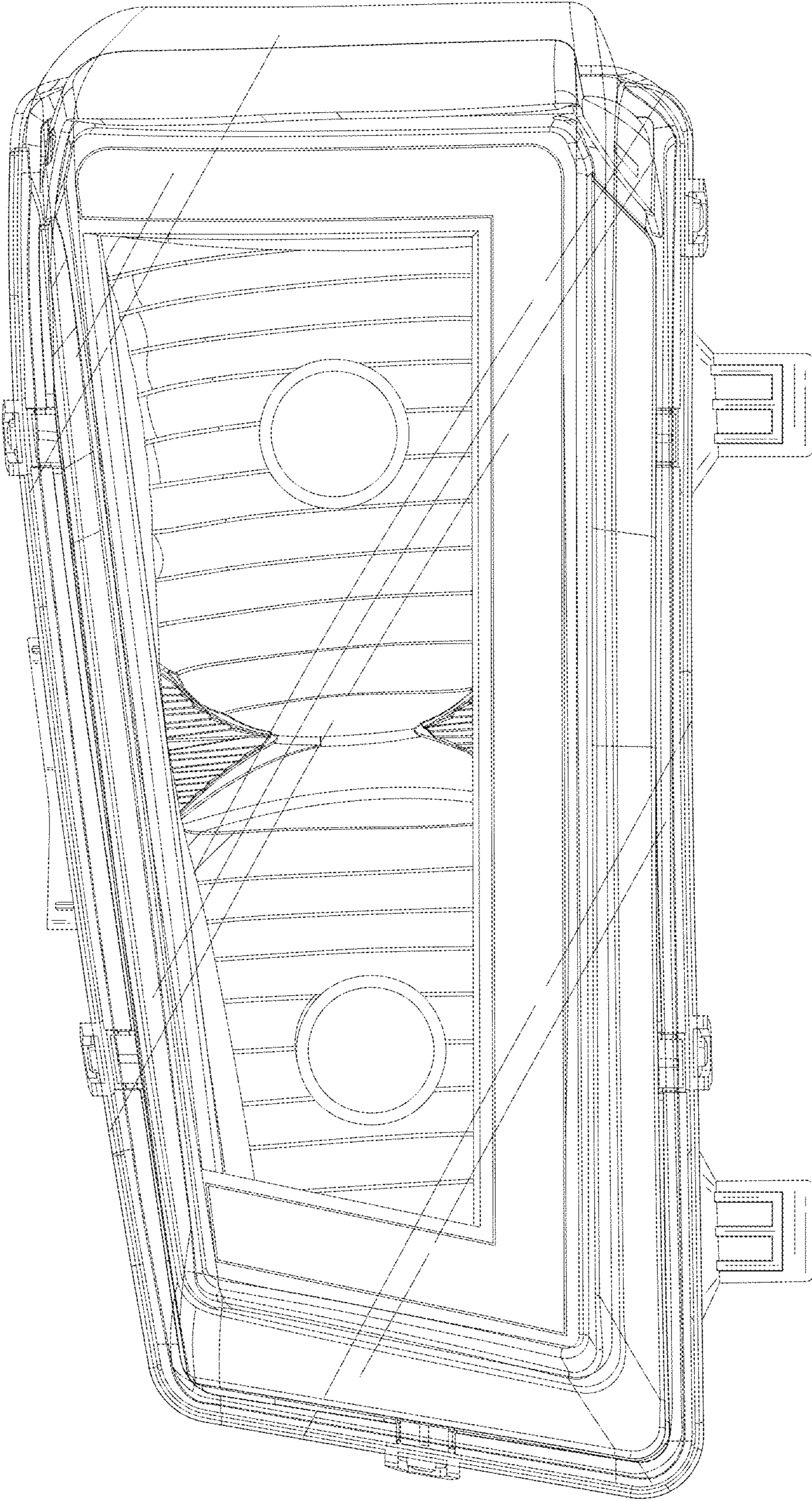


FIG. 3

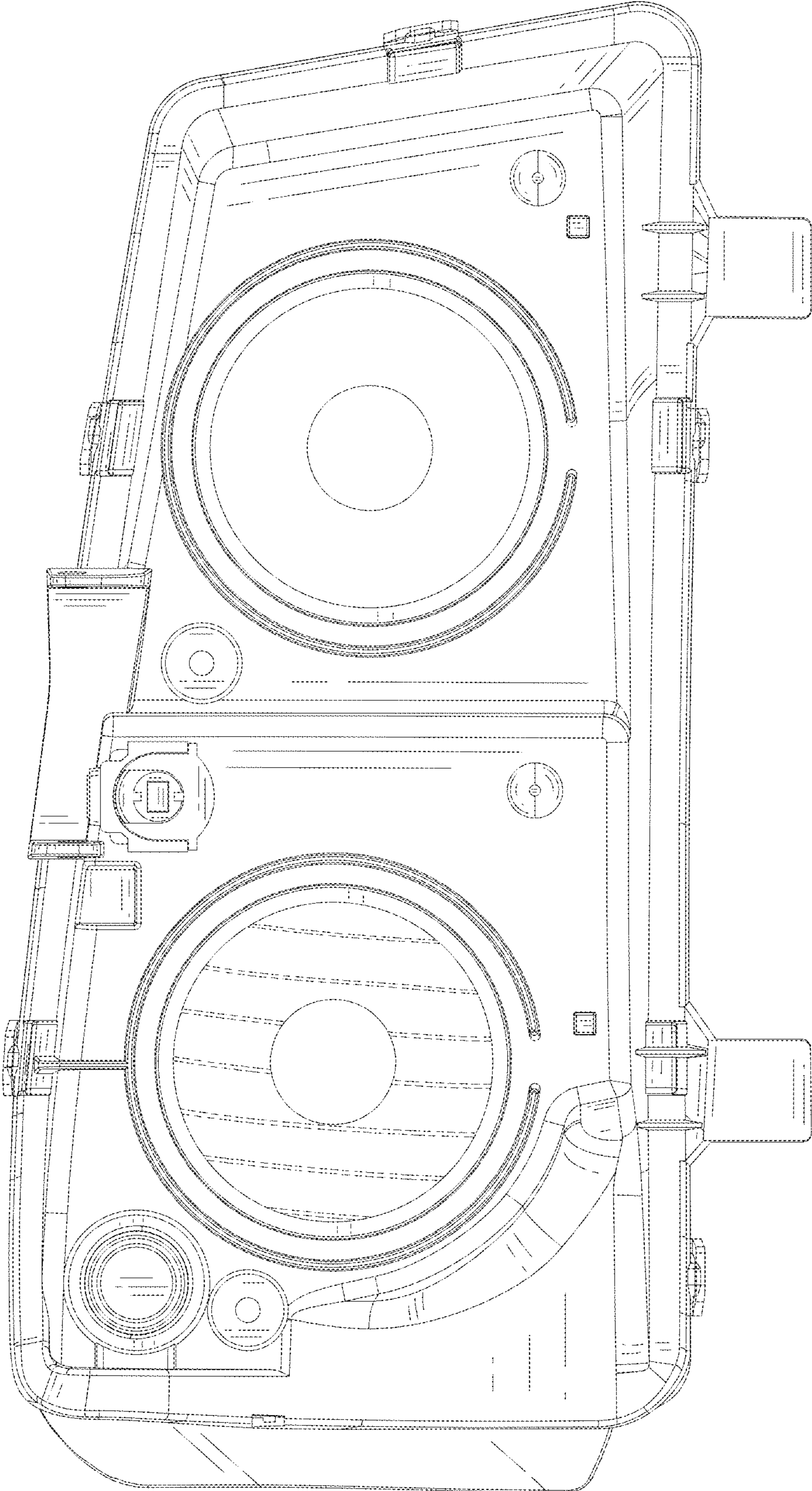


FIG. 4

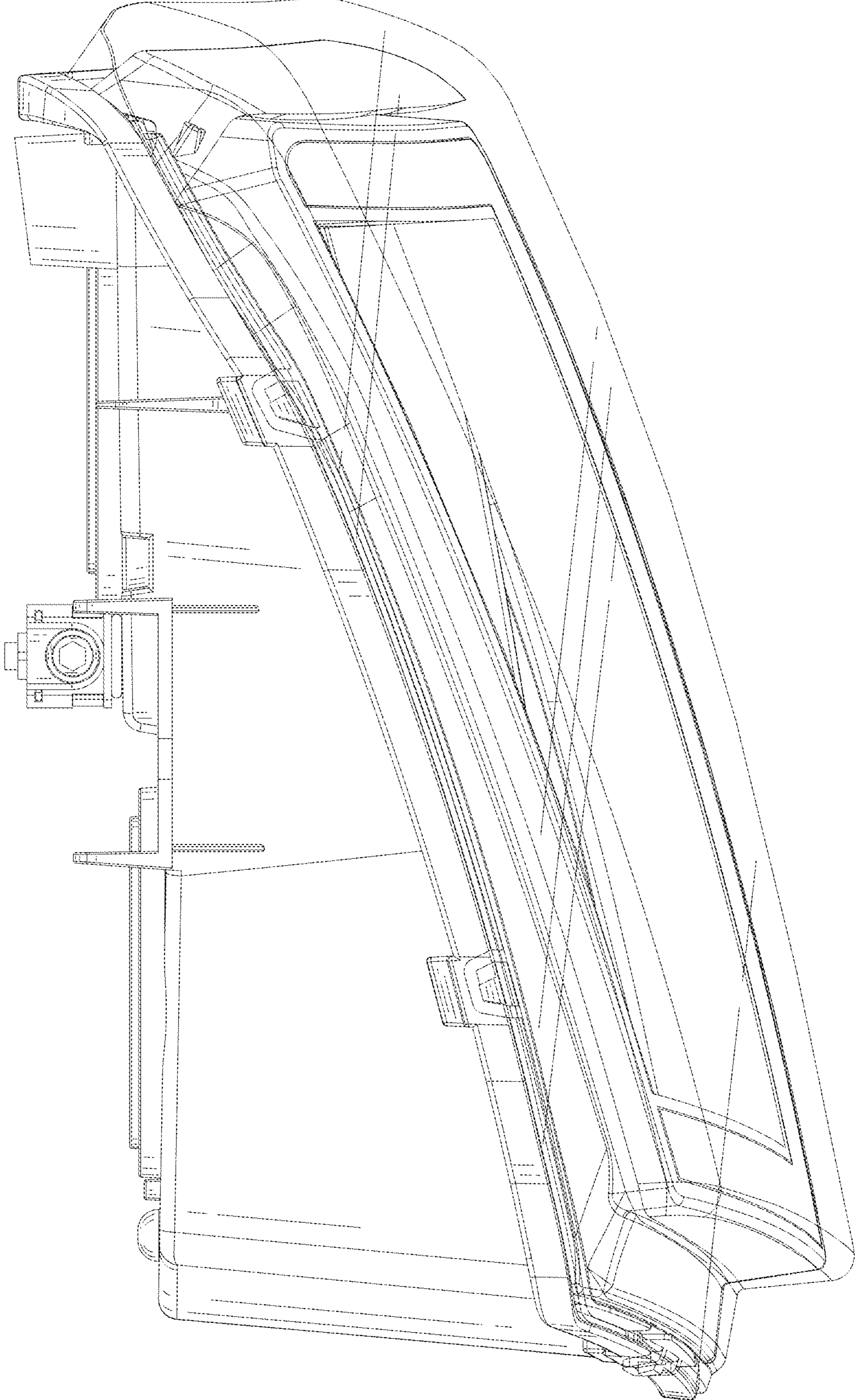


FIG. 5

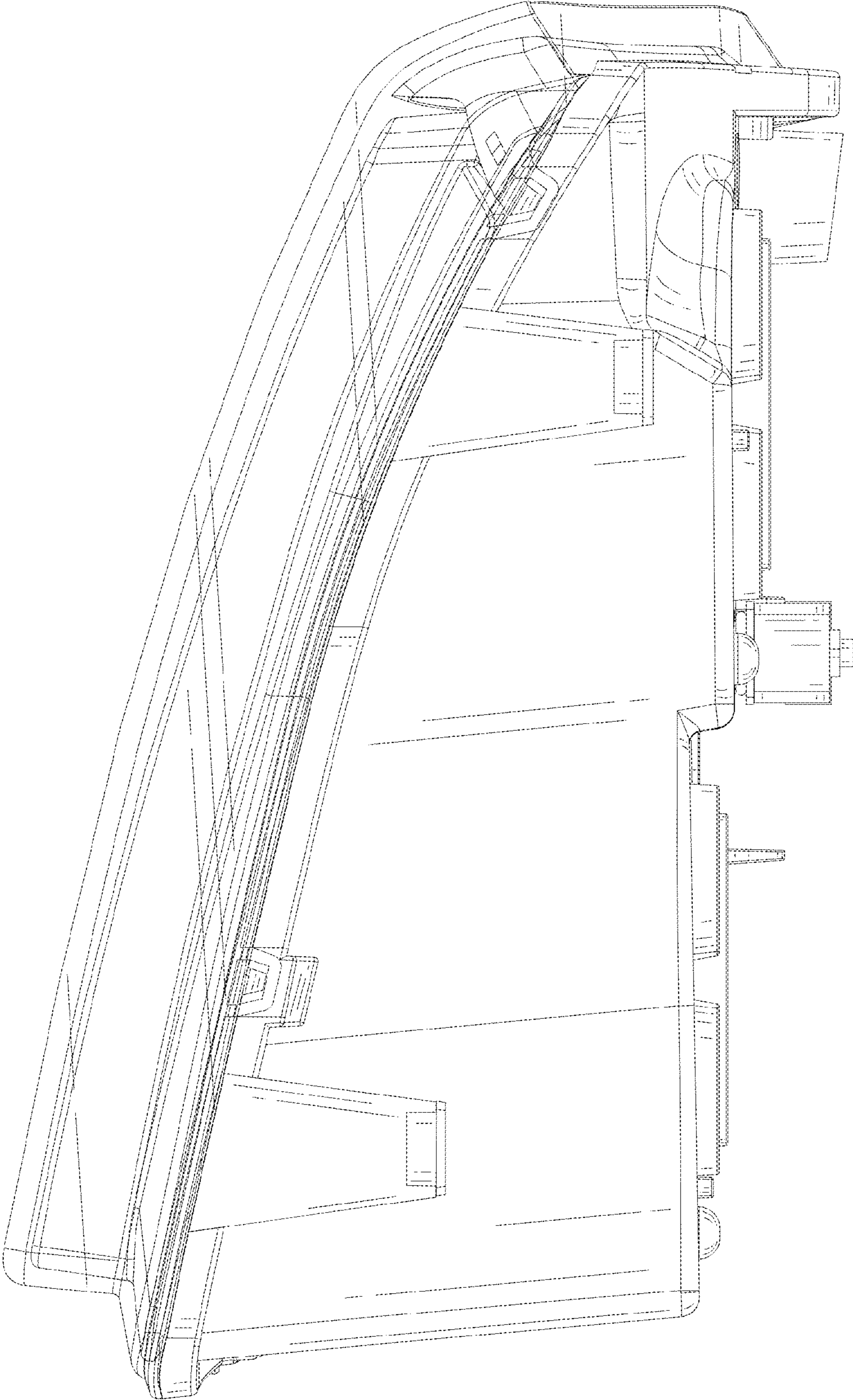


FIG. 6

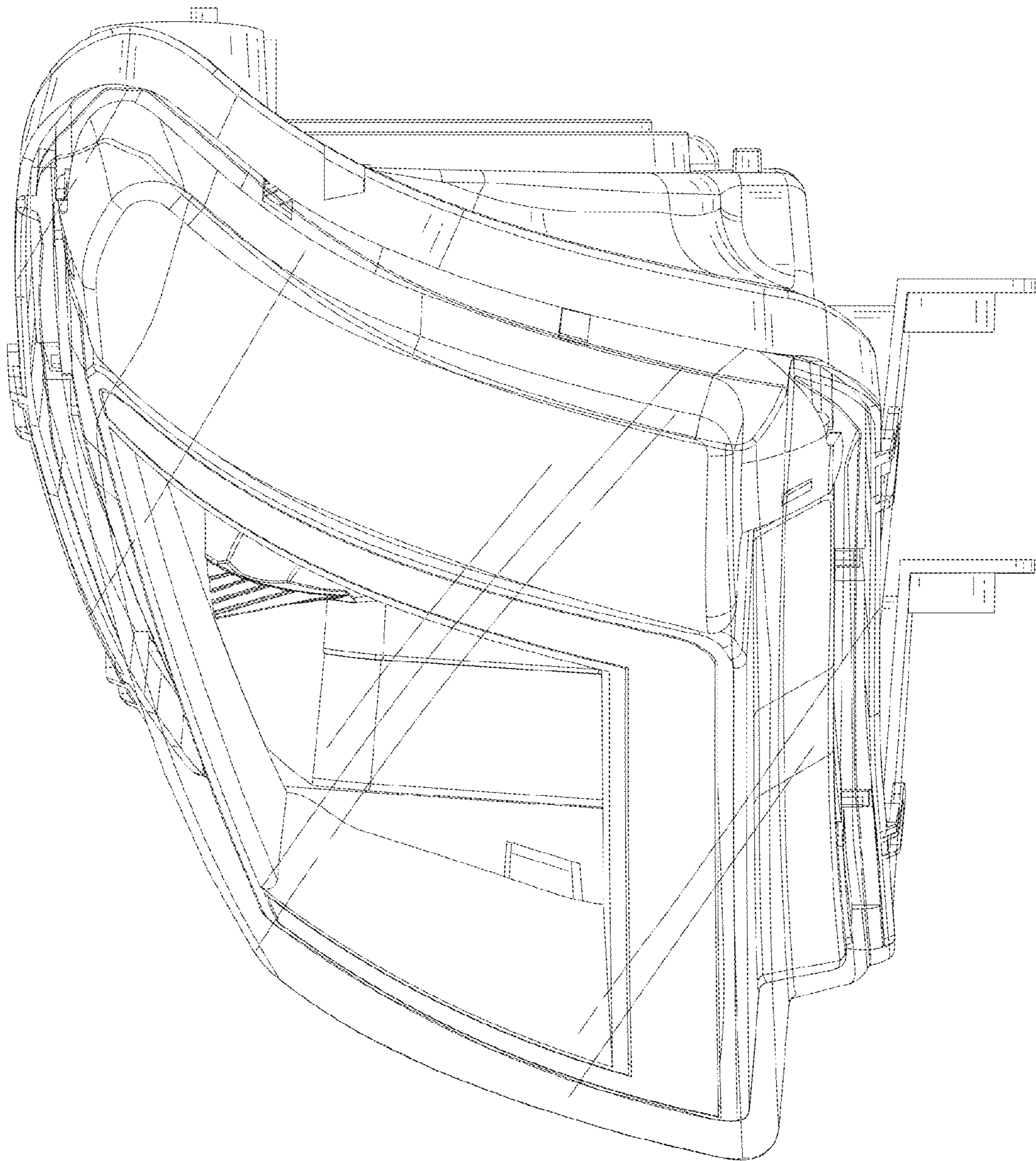


FIG. 7



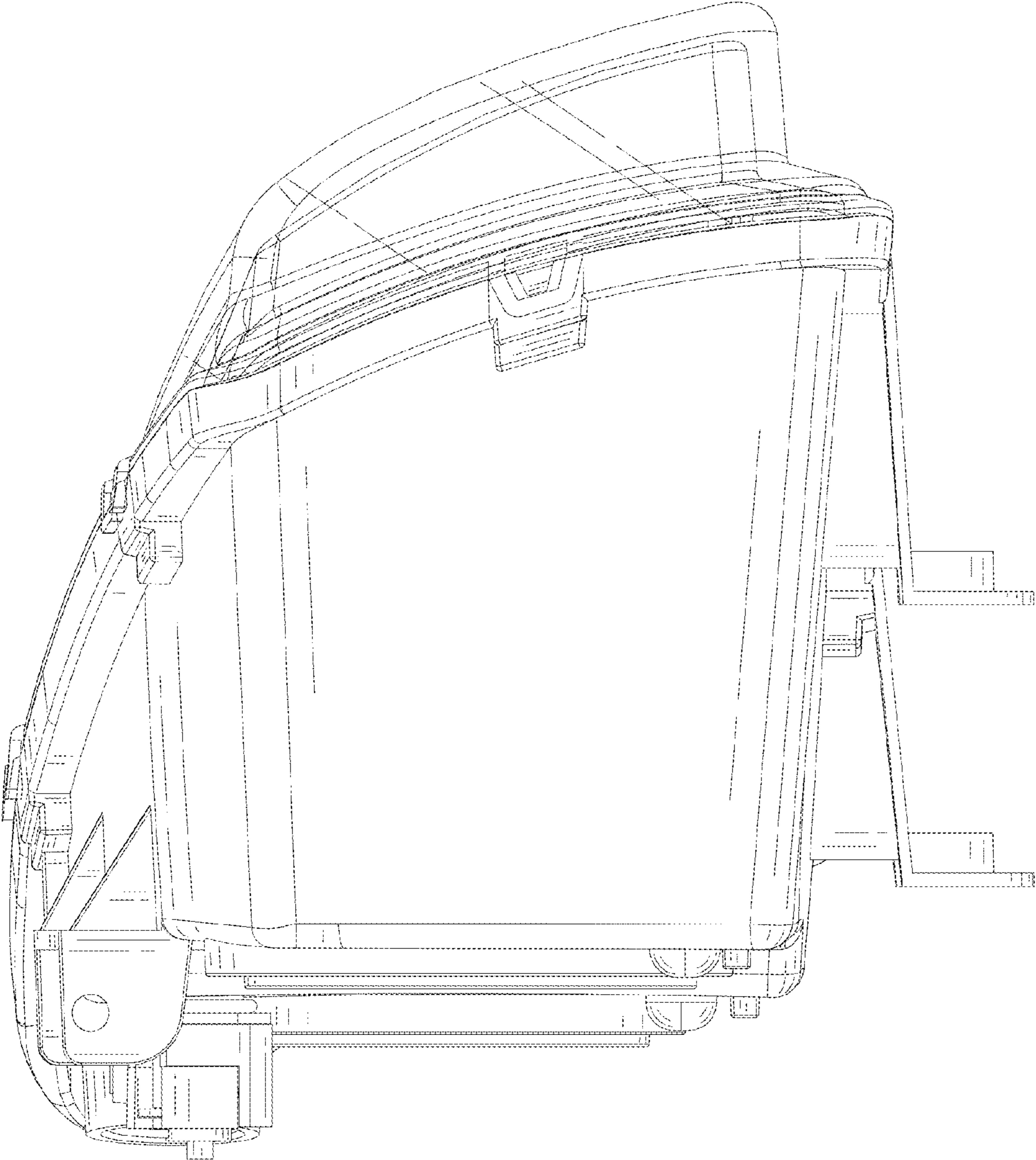


FIG. 8