



US00D922625S

(12) **United States Design Patent** (10) **Patent No.:** **US D922,625 S**
Wraith et al. (45) **Date of Patent:** **** Jun. 15, 2021**

- (54) **VEHICLE HEADLIGHT**
- (71) Applicant: **Ford Global Technologies, LLC**,
Dearborn, MI (US)
- (72) Inventors: **Paul Wraith**, West Bloomfield, MI (US); **Martin B. Coons**, Detroit, MI (US); **Young Kwon**, Cologne (DE); **Daniel J. Kangas**, Livonia, MI (US); **Dean Carbis**, Bloomfield Hills, MI (US)
- (73) Assignee: **Ford Global Technologies, LLC**,
Dearborn, MI (US)
- (**) Term: **15 Years**
- (21) Appl. No.: **29/726,379**
- (22) Filed: **Mar. 3, 2020**
- (51) **LOC (13) Cl.** **26-06**
- (52) **U.S. Cl.**
USPC **D26/28**
- (58) **Field of Classification Search**
USPC D26/28, 29, 30, 31, 32, 33, 34, 35, 36,
D26/44
CPC F21S 48/00; F21S 48/10; F21S 48/115;
F21S 48/225; F21S 48/1233; F21S
48/1266; F21S 48/1388; F21S 48/2268;
F21V 21/04; F21W 2103/35; F21W 3/40;
F21W 2102/17; F21W 2102/30; F21W
2103/00; F21W 2103/55; F21W 2104/00;
F21W 2107/17; F21W 2107/13
See application file for complete search history.

D825,084 S *	8/2018	Haizuka	D26/28
D825,799 S *	8/2018	Haizuka	D26/28
D827,168 S *	8/2018	Haizuka	D26/28
D844,863 S *	4/2019	Tomasson	D26/28
D857,937 S *	8/2019	Iwao	D26/28
D860,487 S *	9/2019	Tsuchida	D26/28
D894,443 S *	8/2020	Sato	D26/28
D894,444 S *	8/2020	Sato	D26/28
D904,652 S *	12/2020	Carbis	D26/28

OTHER PUBLICATIONS

Unknown, My observations from seeing see the actual 4-door Bronco raw, unpainted sheet metal shell, Feb. 15, 2020 <https://www.bronco6g.com/forum/threads/my-observations-from-seeing-see-the-actual-4-door-bronco-raw-unpainted-sheet-metal-shell.1048/>.

(Continued)

Primary Examiner — Angela J Lee
(74) *Attorney, Agent, or Firm* — Michael Spenner

(57) **CLAIM**

The ornamental design for a vehicle headlight, as shown and described.

DESCRIPTION

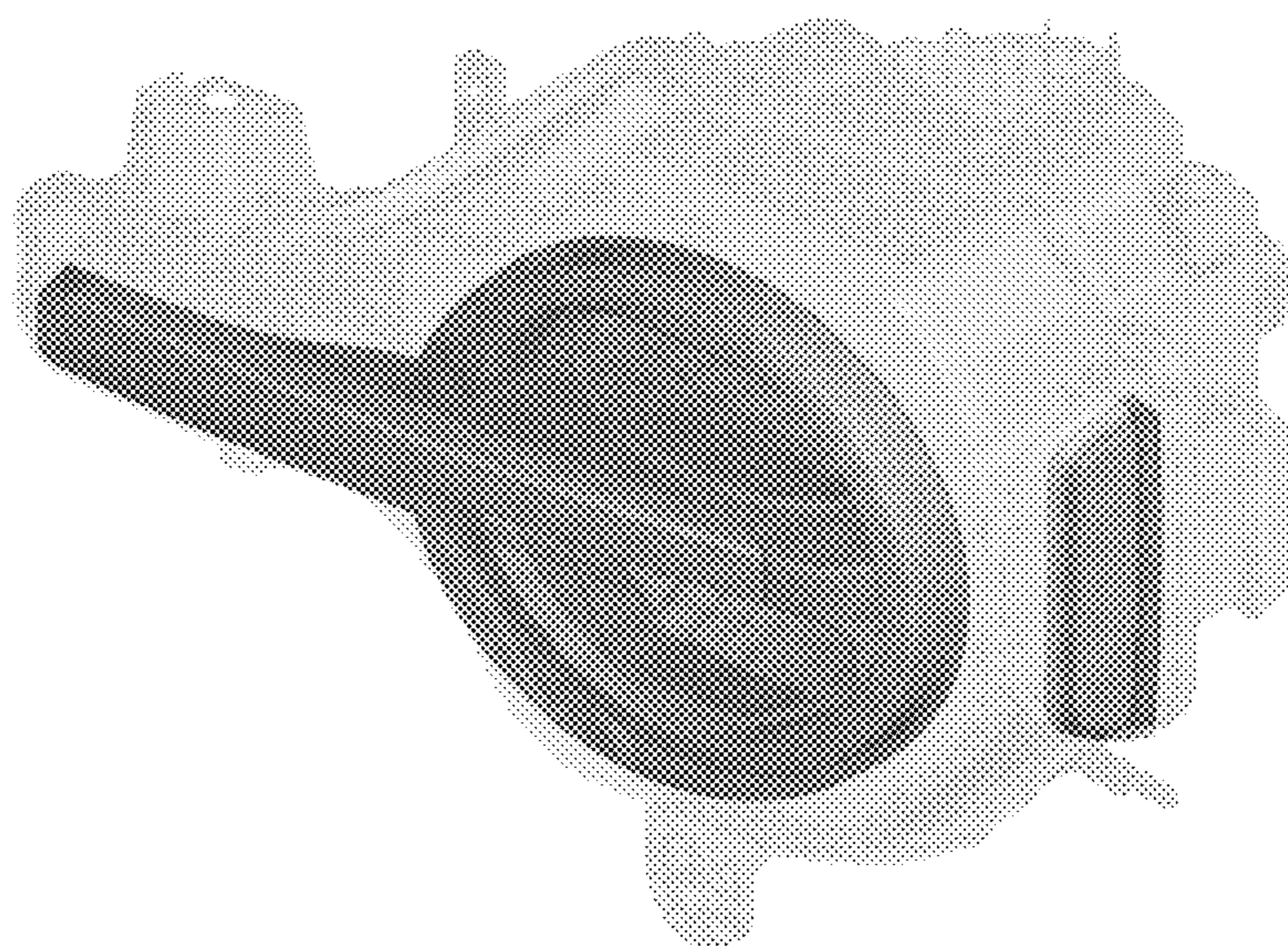
FIG. 1 is a front elevational view of a vehicle headlight, showing our new design;
FIG. 2 is a left side elevational view thereof;
FIG. 3 is a right side elevational view thereof;
FIG. 4 is a top plan view thereof;
FIG. 5 is a bottom plan view thereof;
FIG. 6 is a top, front and left side perspective view thereof; and,
FIG. 7 is a bottom, front and left side perspective view thereof.
The claimed design is indicated by the relatively dark portions in the figures. The de-emphasized and relatively light portions form no part of the claimed design.

1 Claim, 7 Drawing Sheets

(56) **References Cited**

U.S. PATENT DOCUMENTS

D608,031 S *	1/2010	Conforzi	D26/28
D661,004 S *	5/2012	Kamiura	D26/28
D661,829 S *	6/2012	Koizumi	D26/28
D708,367 S *	7/2014	Tajima	D26/28



(56)

References Cited

OTHER PUBLICATIONS

Unknown, Here's the 2021 Bronco's Tail Light Shape Illuminated, Feb. 19, 2020 <https://www.bronco6g.com/forum/threads/heres-the-2021-broncos-tail-light-shape-illuminated.1071/>.

Unknown, 2021 Bronco Interior Spied Undisguised!!, Feb. 25, 2020 <https://www.bronco6g.com/forum/threads/2021-bronco-interior-spied-undisguised.1096/>.

* cited by examiner

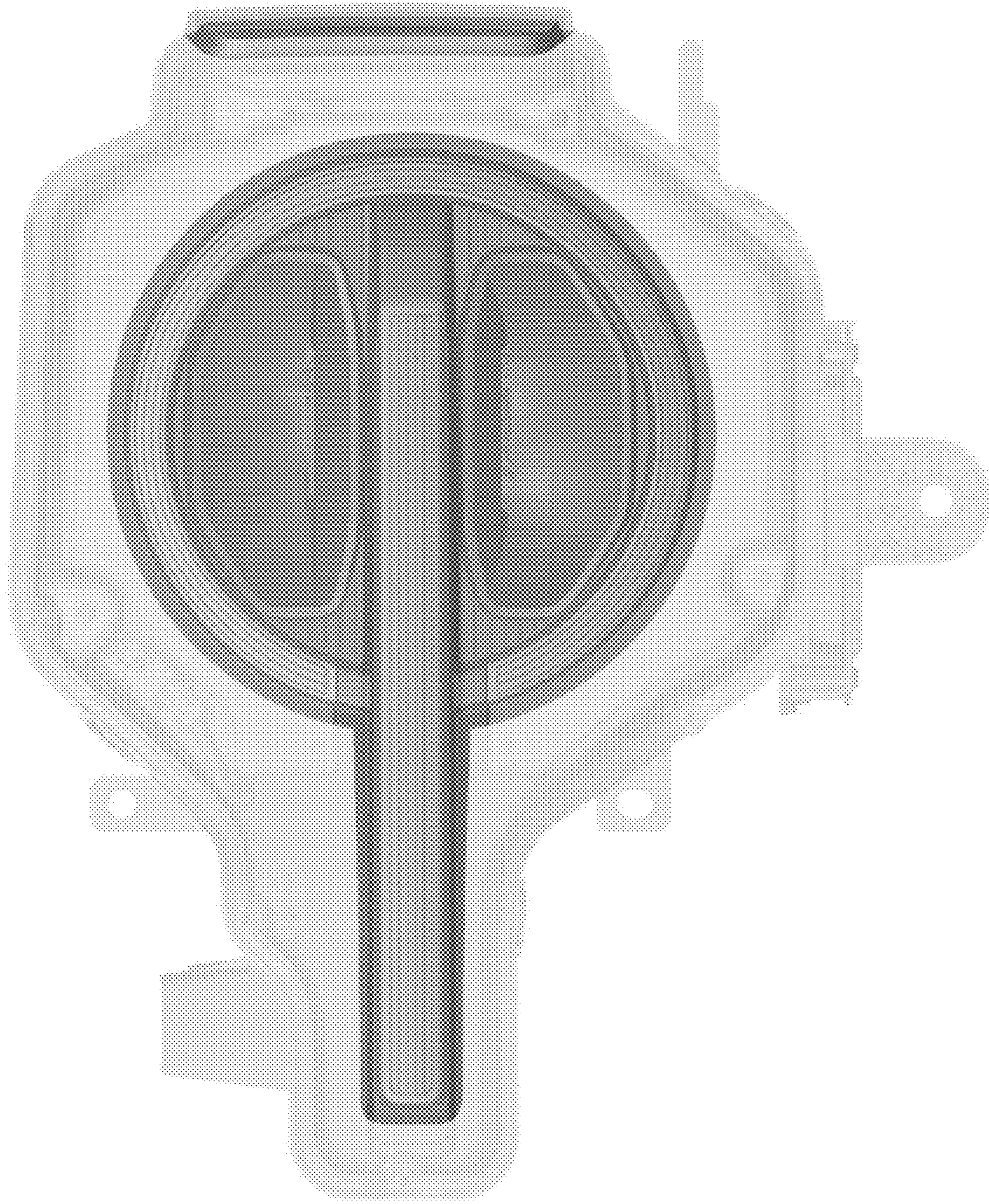


Fig.1

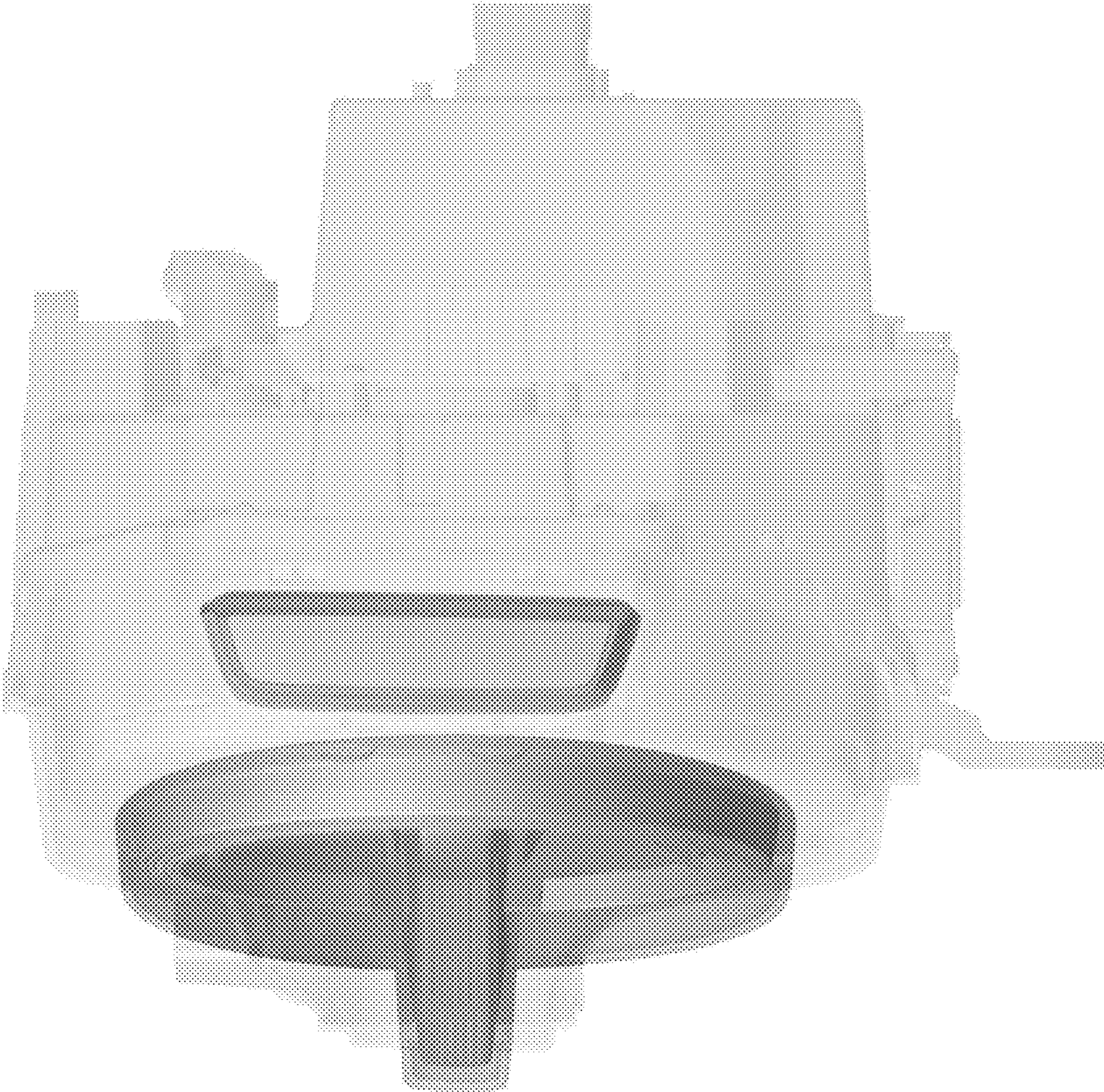


Fig.2

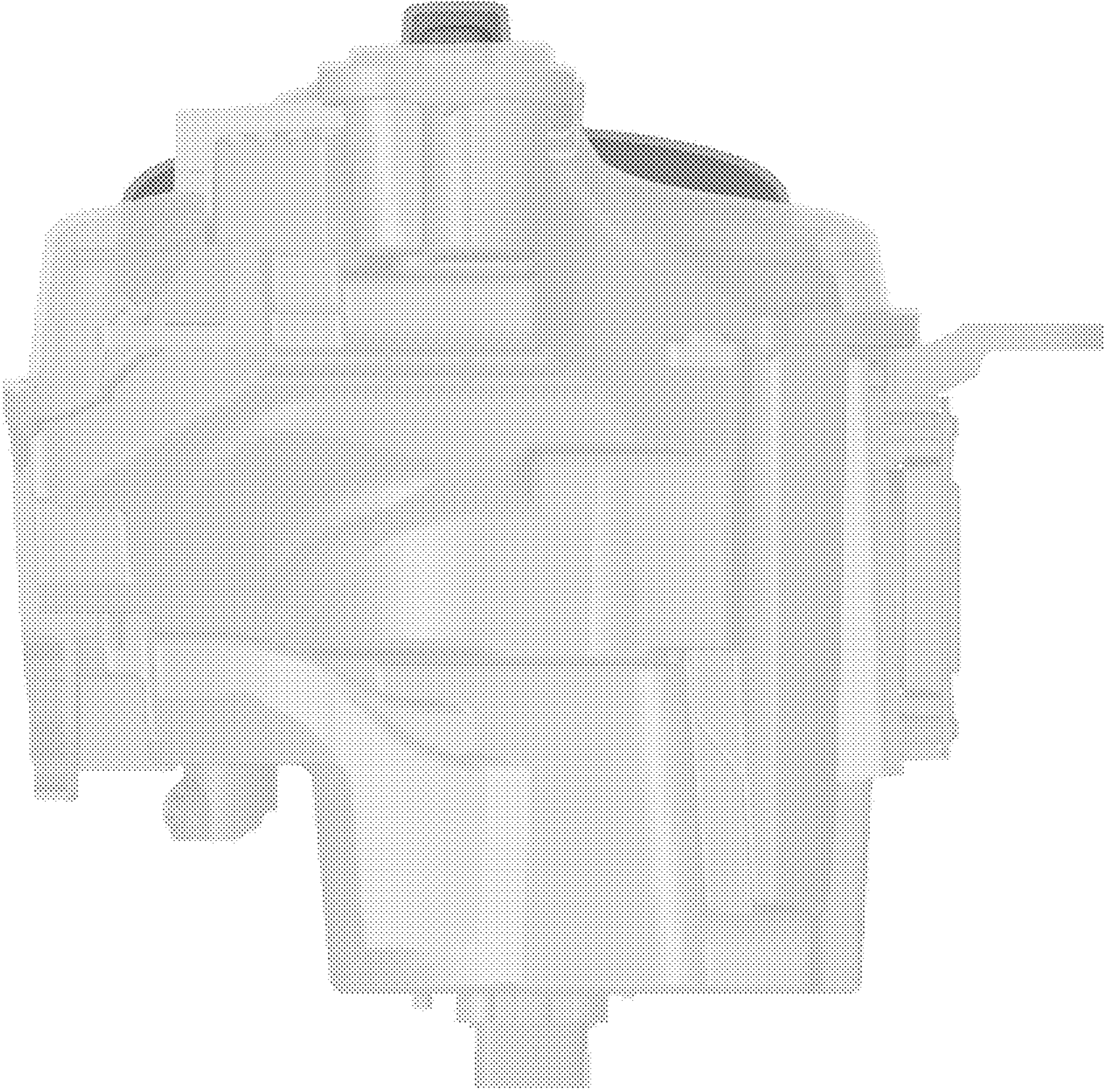


Fig. 3

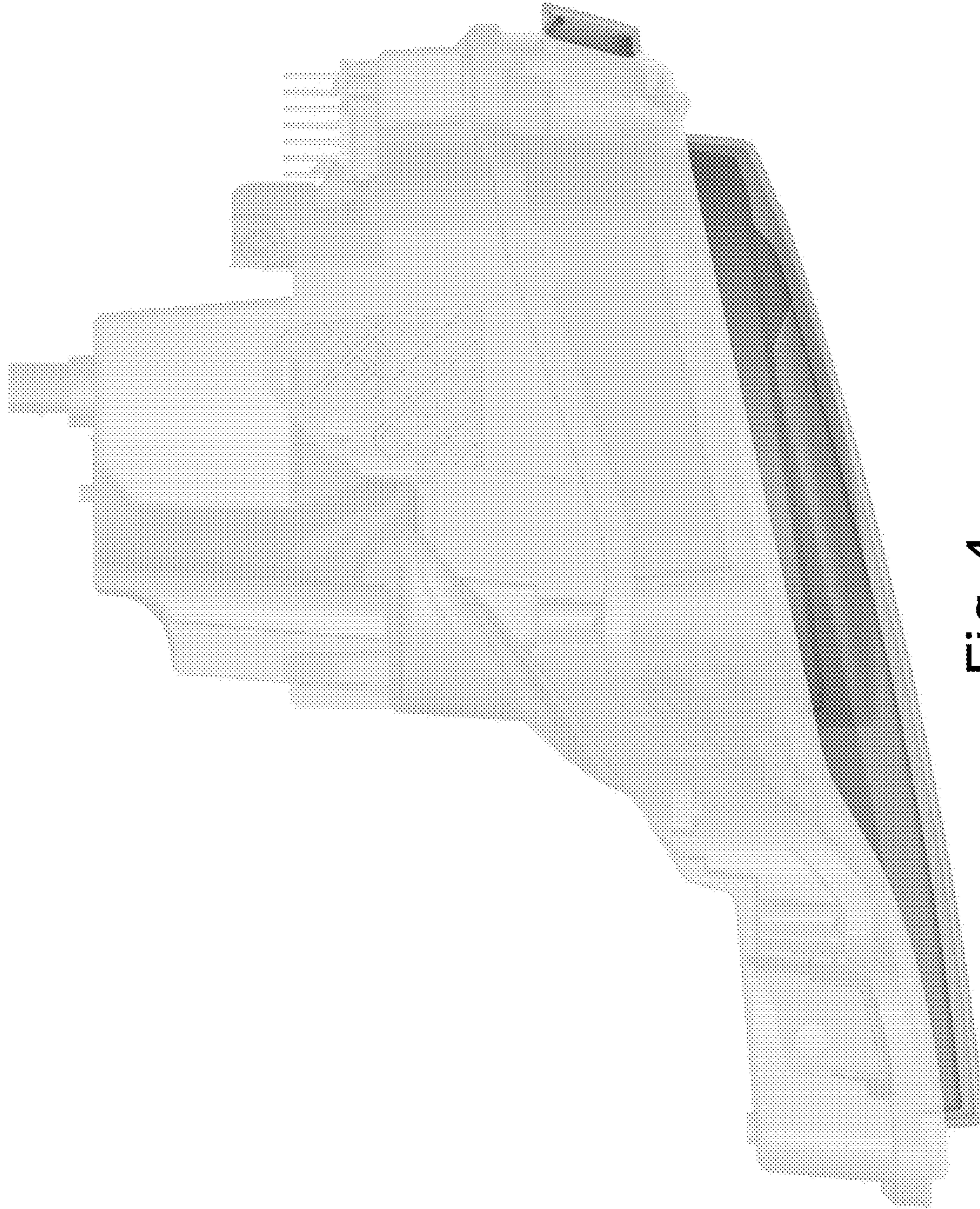


Fig. 4

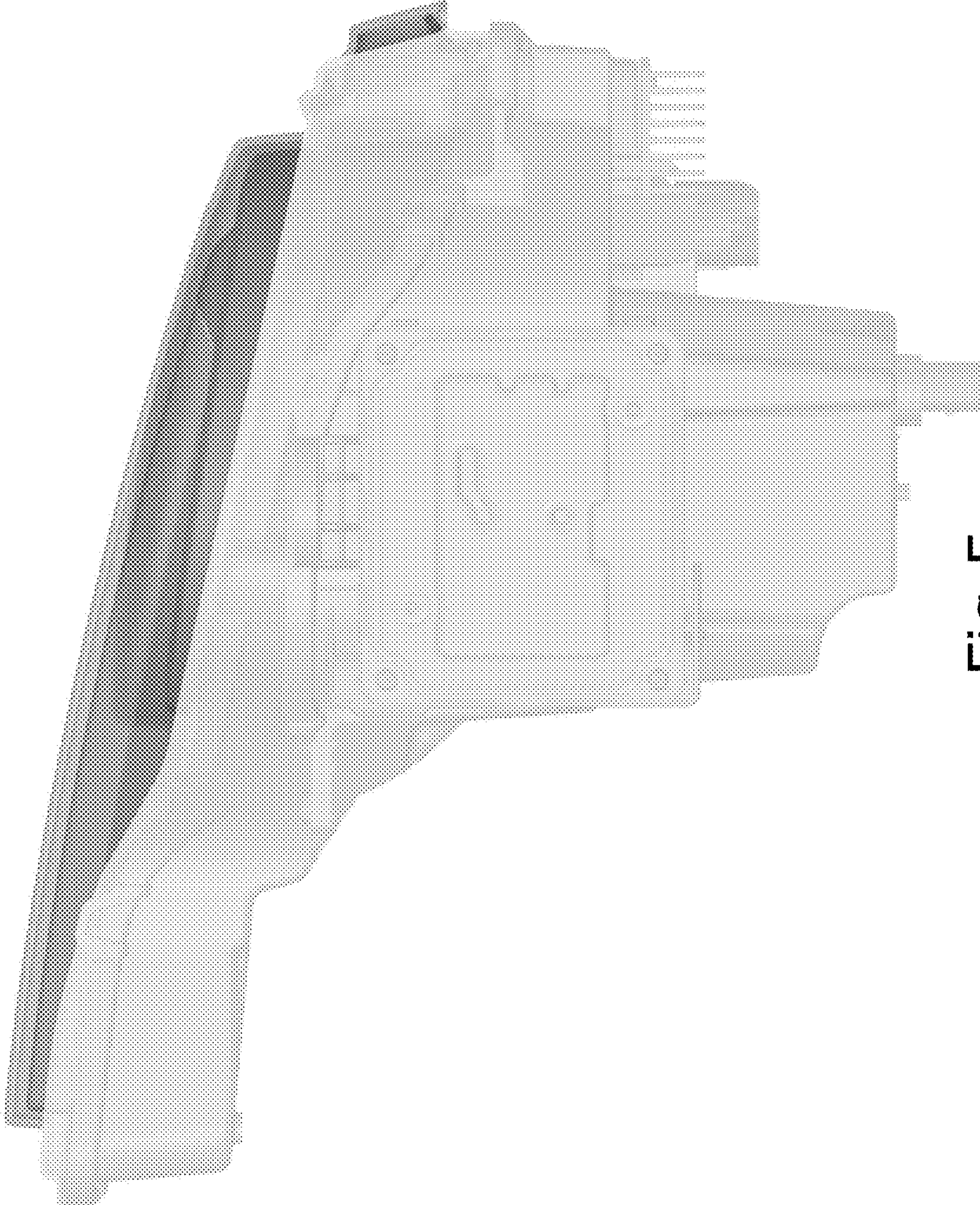


Fig. 5

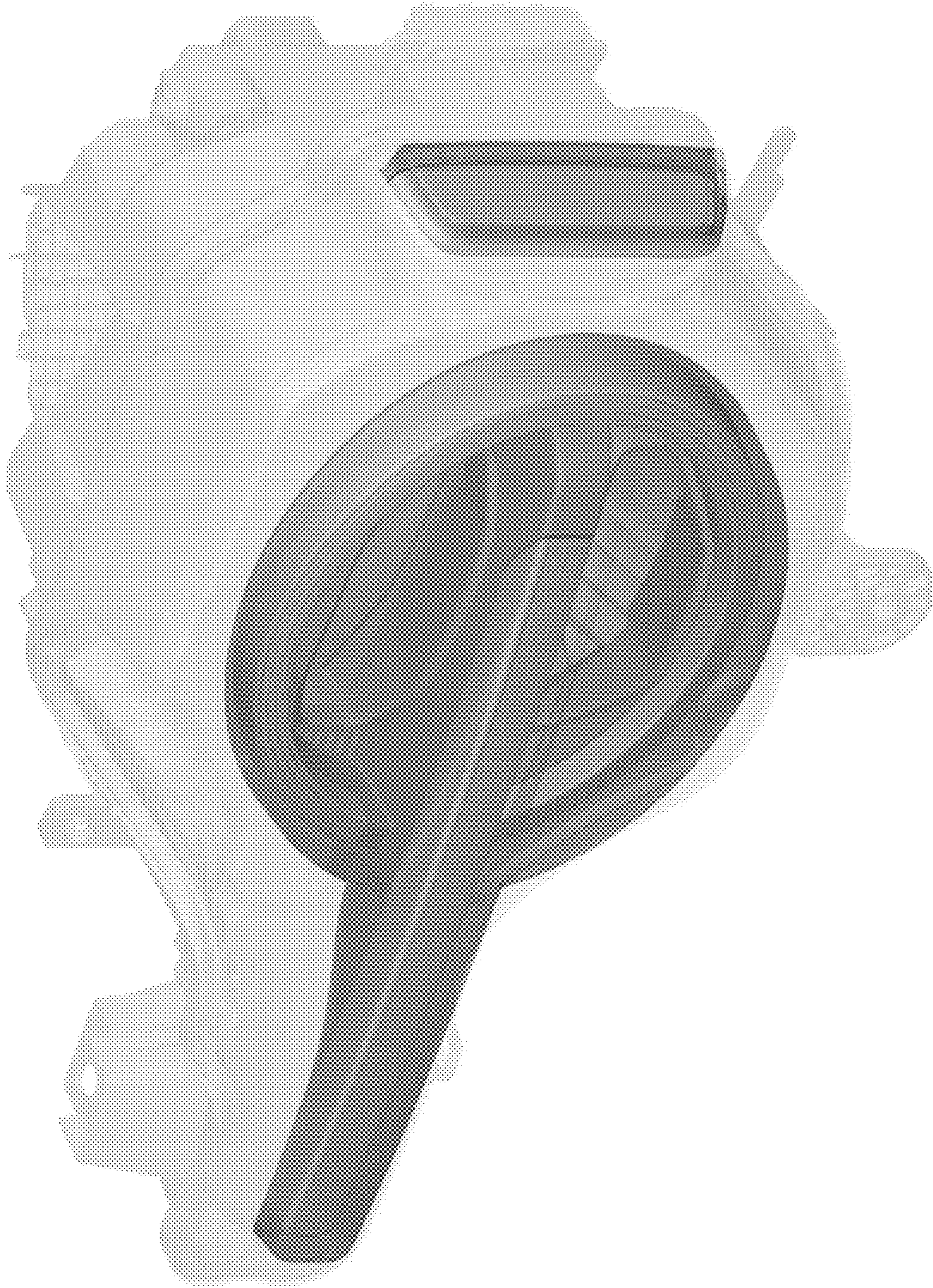


Fig.6

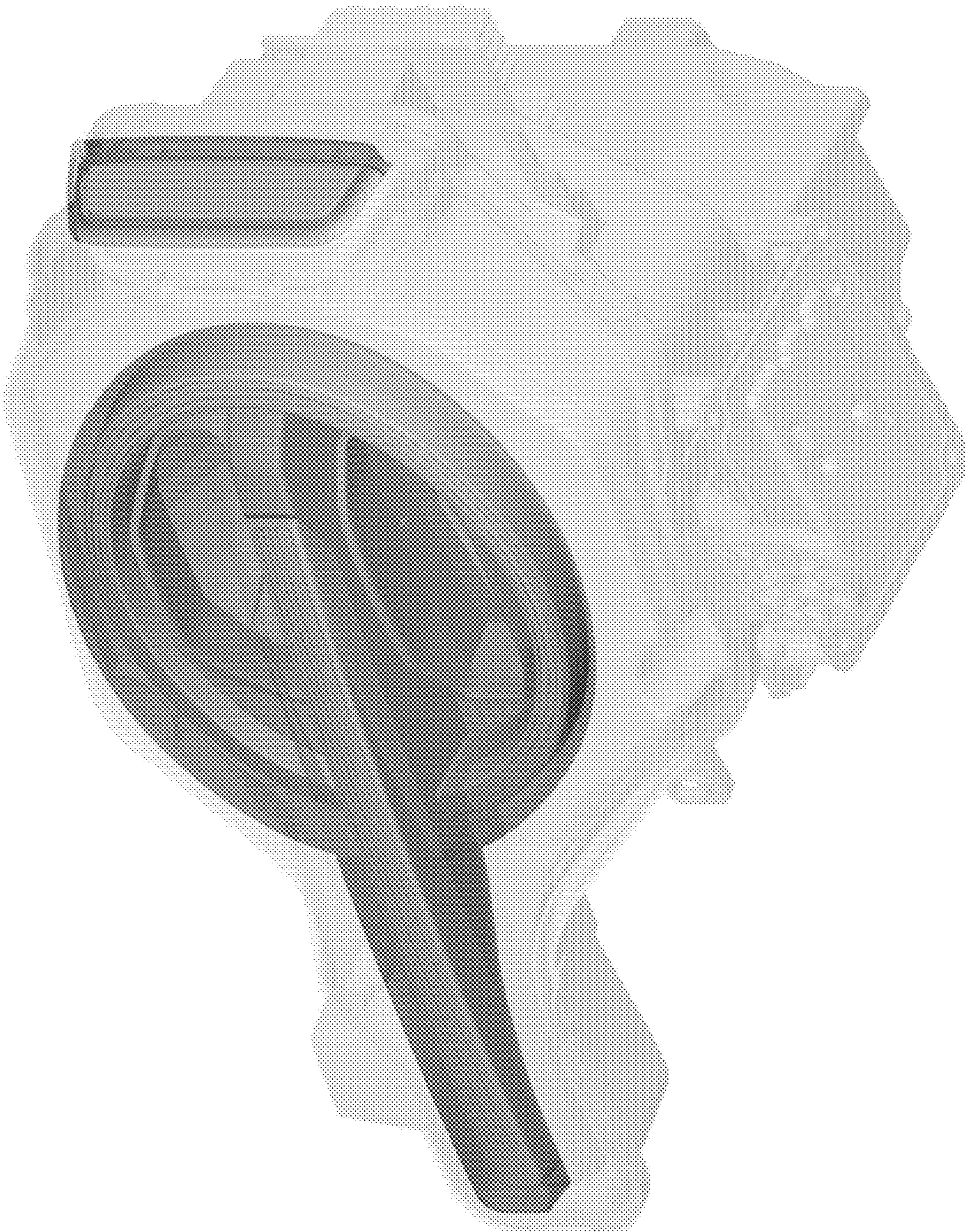


Fig. 7