



US00D922623S

(12) **United States Design Patent** (10) **Patent No.:** **US D922,623 S**
He (45) **Date of Patent:** **** Jun. 15, 2021**

(54) **HEADLIGHT FOR A VEHICLE**
(71) Applicant: **Arex Industries, Inc.**, Irwindale, CA (US)
(72) Inventor: **Mizeng He**, TaiZhou (CN)
(**) Term: **15 Years**
(21) Appl. No.: **29/722,833**

D888,298 S * 6/2020 Wu D26/28
D890,382 S * 7/2020 Wu D26/28
D890,386 S * 7/2020 Wu D26/28
D890,388 S * 7/2020 Wu D26/28
D893,064 S * 8/2020 He D26/28
D893,065 S * 8/2020 He D26/28
D893,066 S * 8/2020 Lin D26/28
D896,410 S * 9/2020 He D26/28
D899,641 S * 10/2020 He D26/28
D900,359 S * 10/2020 He D26/28

* cited by examiner

(22) Filed: **Feb. 1, 2020**
(51) **LOC (13) Cl.** **26-06**
(52) **U.S. Cl.**
USPC **D26/28**
(58) **Field of Classification Search**
USPC D26/28, 29, 30, 31, 32, 33, 34, 35, 36
CPC F21S 48/00; F21S 48/10; F21S 48/115;
F21S 48/225; F21S 48/1233; F21S
48/1266; F21S 48/1388; F21S 48/2268;
F21V 21/04; F21W 2103/35; F21W 3/40;
F21W 2102/17; F21W 2102/30; F21W
2103/00; F21W 2103/55; F21W 2104/00;
F21W 2107/17; F21W 2107/13
See application file for complete search history.

Primary Examiner — Angela J Lee

(74) *Attorney, Agent, or Firm* — Theodore S. Lee, Esq.

(57) **CLAIM**

The ornamental design for a headlight for a vehicle, as shown and described.

DESCRIPTION

FIG. 1 is a perspective view of a headlight for a vehicle according to the novel design;
FIG. 2 is left side view thereof;
FIG. 3 is a front view thereof;
FIG. 4 is a right side view thereof;
FIG. 5 is a back side view thereof;
FIG. 6 is an alternative perspective view thereof; and,
FIG. 7 is a top view thereof.

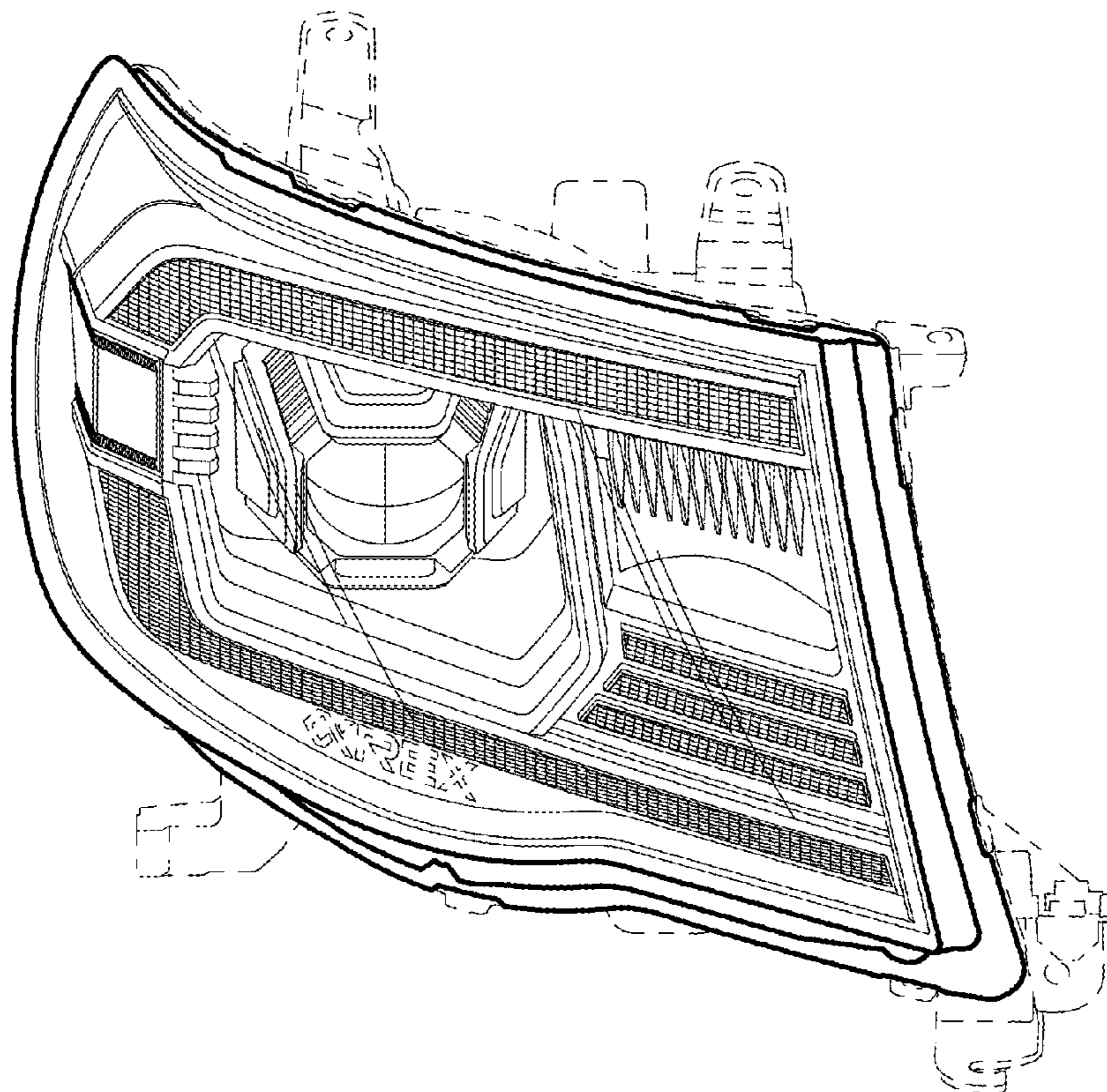
The drawings and descriptions represent the left side embodiment. The claim is also for a mirror image of a right side embodiment that is not shown.

(56) **References Cited**

U.S. PATENT DOCUMENTS

D883,526 S * 5/2020 Lin D26/28
D883,538 S * 5/2020 Lai D26/28
D884,940 S * 5/2020 He D26/28

1 Claim, 7 Drawing Sheets



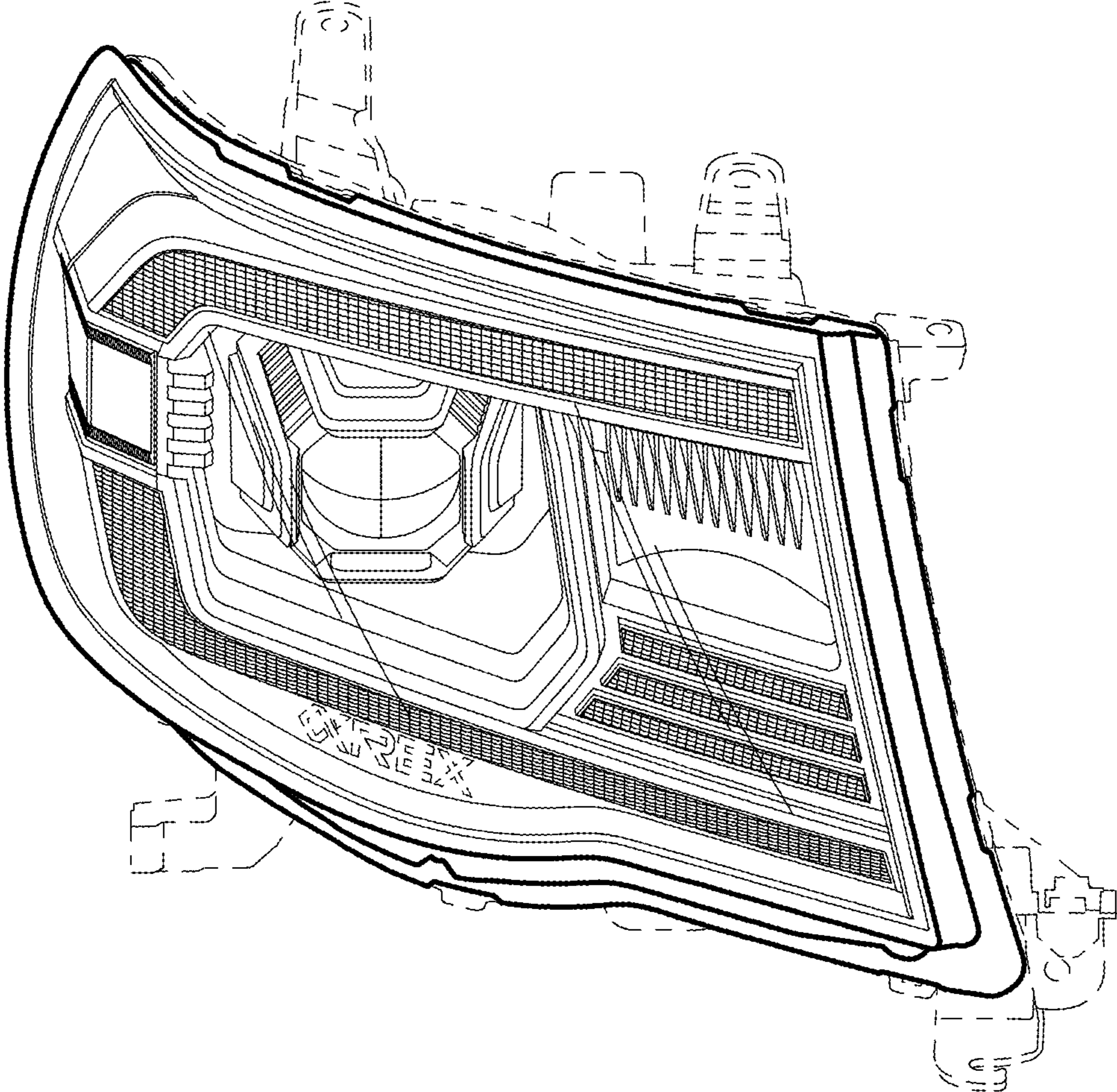


FIG. 1

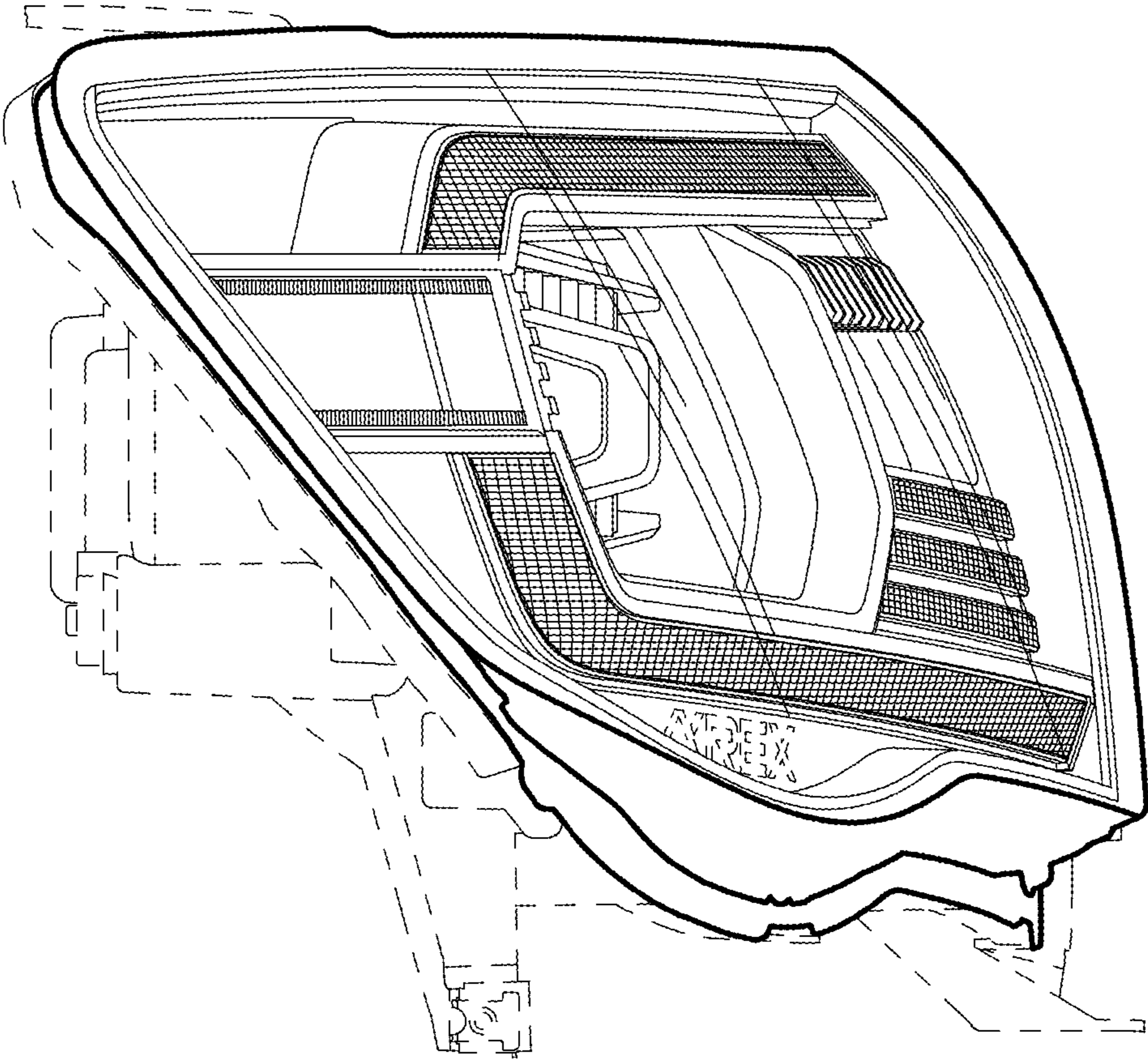


FIG. 2

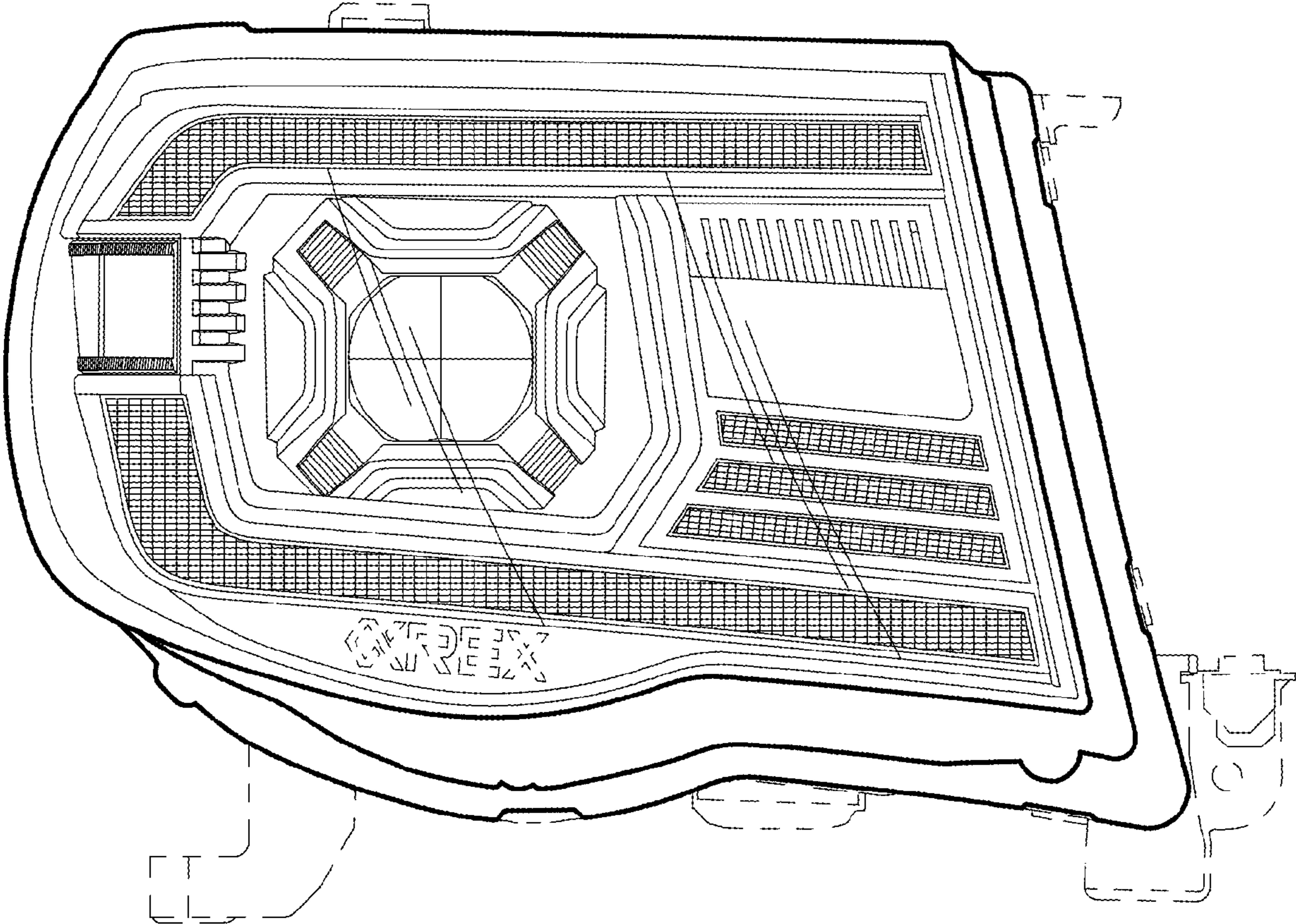


FIG. 3

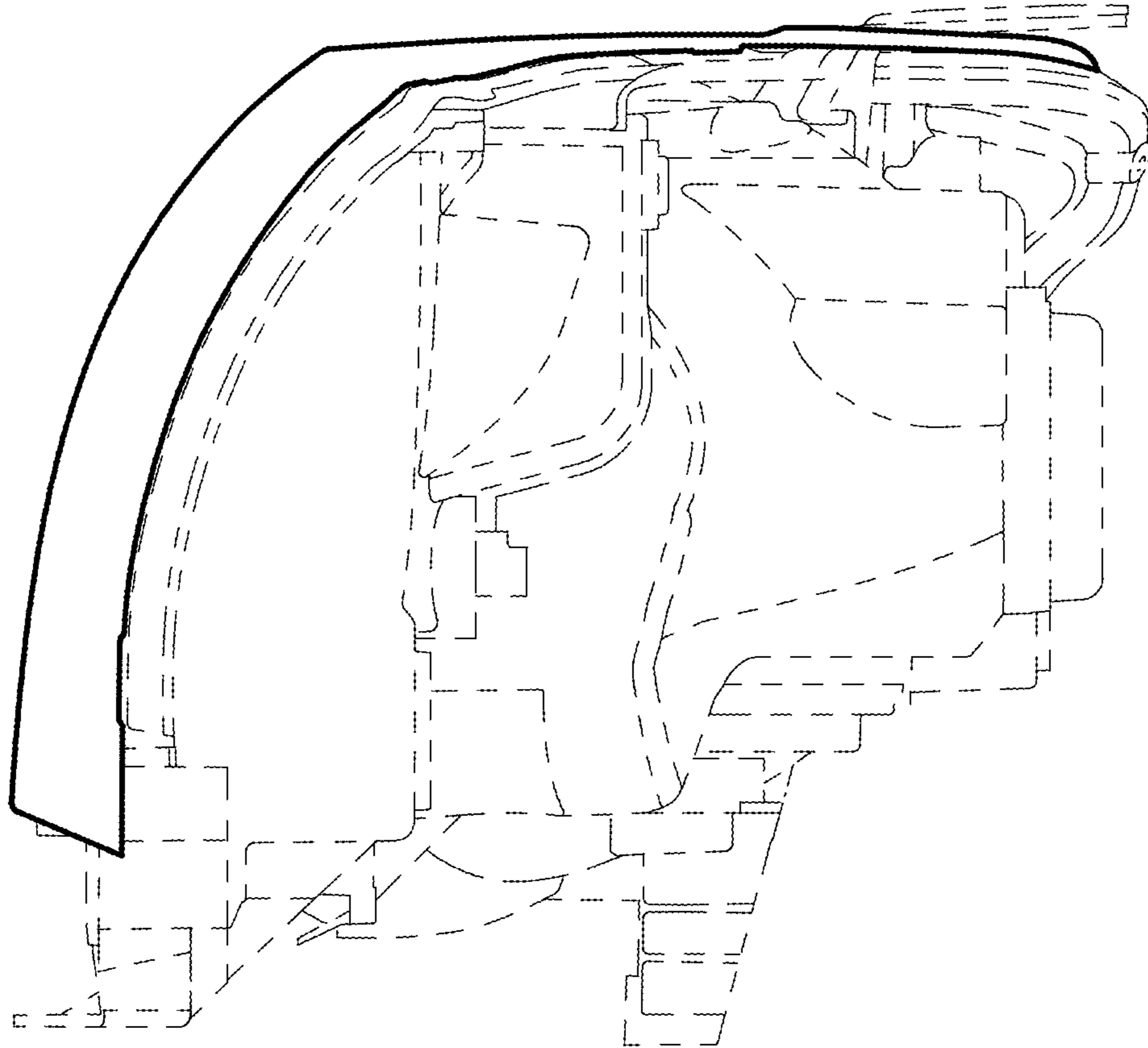


FIG. 4

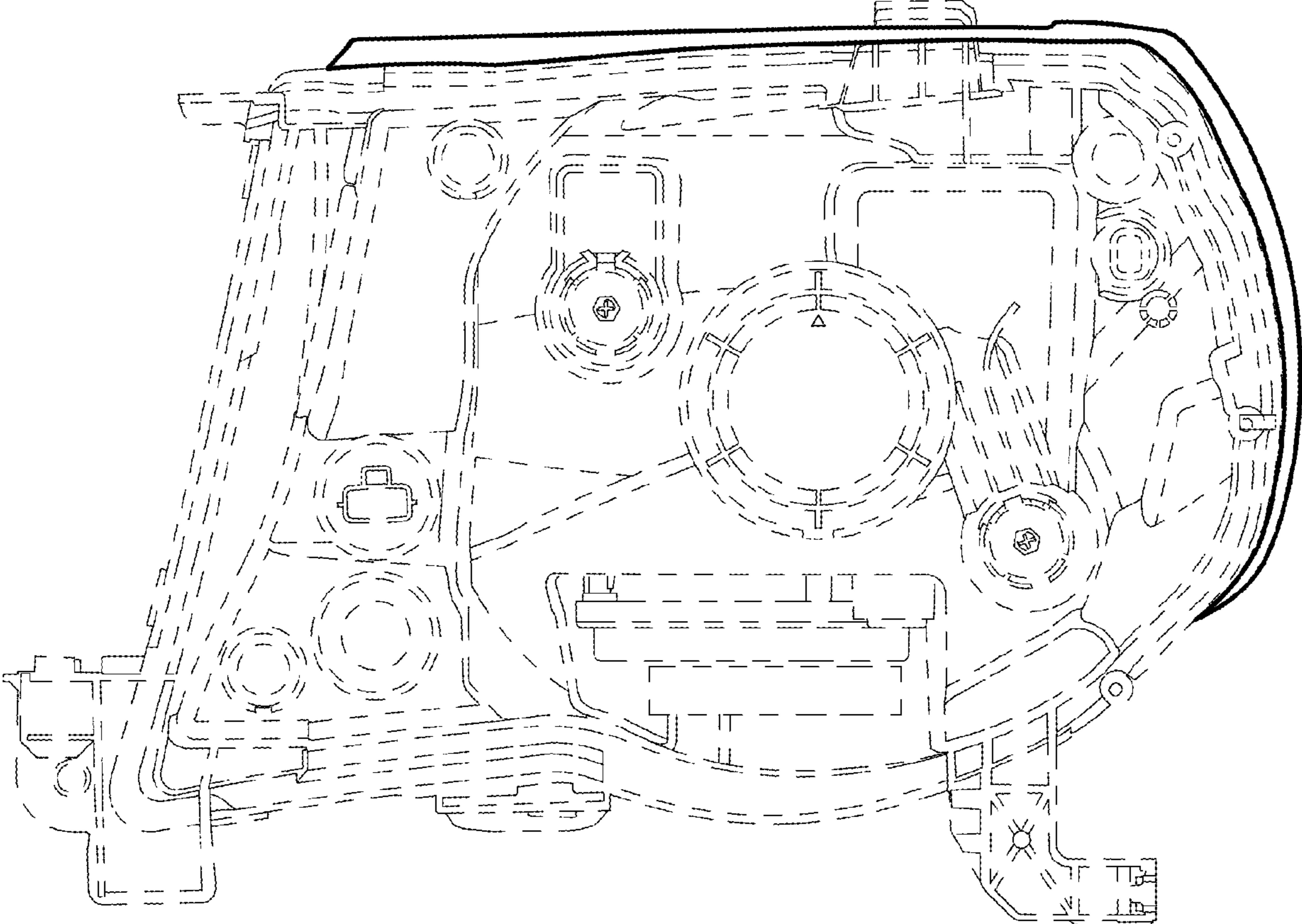


FIG. 5

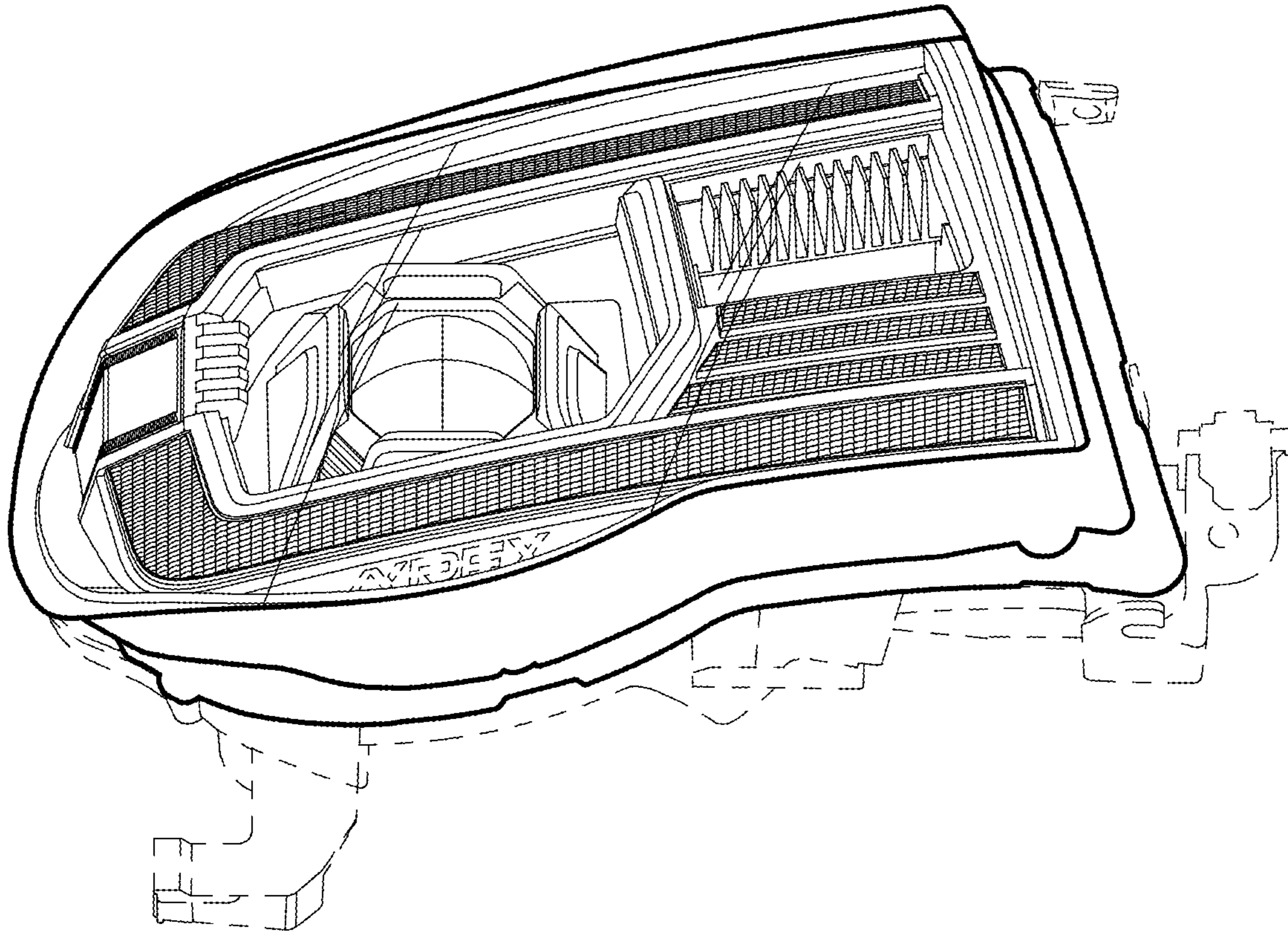


FIG. 6

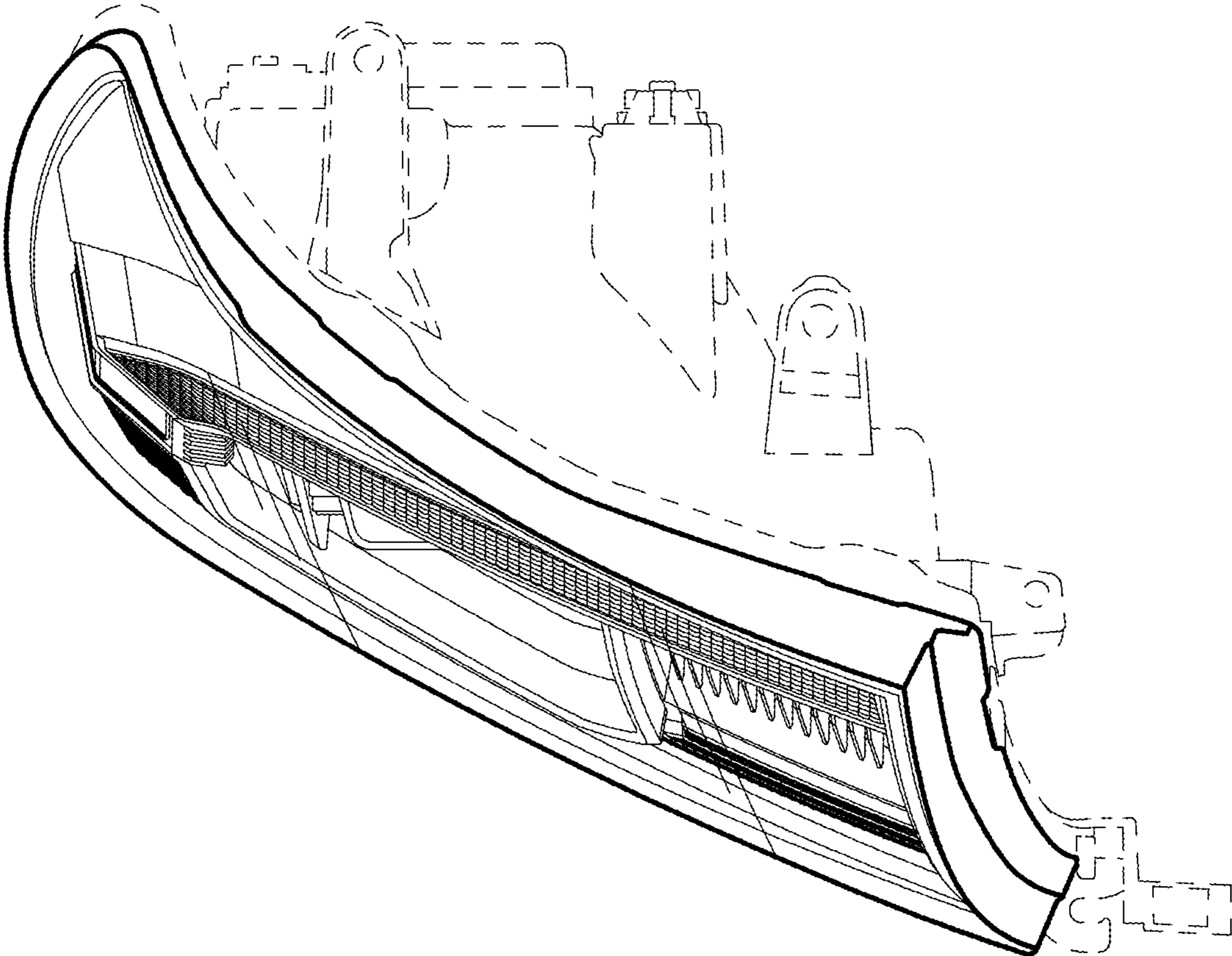


FIG. 7