

US00D922621S

(12) **United States Design Patent**
Hu

(10) **Patent No.:** **US D922,621 S**

(45) **Date of Patent:** **** Jun. 15, 2021**

(54) **HEADLIGHT**

(71) Applicant: **Chun Hu**, Guangzhou (CN)

(72) Inventor: **Chun Hu**, Guangzhou (CN)

(**) Term: **15 Years**

(21) Appl. No.: **29/693,553**

(22) Filed: **Jun. 3, 2019**

(51) **LOC (13) Cl.** **26-05**

(52) **U.S. Cl.**

USPC **D26/28**

(58) **Field of Classification Search**

USPC D26/28, 29, 30, 31, 32, 33, 34, 35, 36

CPC F21S 48/00; F21S 48/10; F21S 48/115;

F21S 48/225; F21S 48/1233; F21S

48/1266; F21S 48/1388; F21S 48/2268;

F21V 21/04; F21W 2103/35; F21W 3/40;

F21W 2102/17; F21W 2102/30; F21W

2103/00; F21W 2103/55; F21W 2104/00;

F21W 2107/17; F21W 2107/13

See application file for complete search history.

(56) **References Cited**

U.S. PATENT DOCUMENTS

D799,082 S * 10/2017 Lai D26/28

D824,055 S * 7/2018 Chi D26/28

D853,604 S * 7/2019 Ting D26/28

D858,825 S * 9/2019 Dinant D26/28

D864,446 S * 10/2019 Lai D26/28

D868,313 S * 11/2019 Huang D26/28

D869,705 S * 12/2019 Wu D26/28

D880,736 S * 4/2020 Hu D26/28

* cited by examiner

Primary Examiner — Angela J Lee

(57) **CLAIM**

The ornamental design for a headlight, as shown and described.

DESCRIPTION

FIG. 1 is a front perspective view of a headlight showing my new design;

FIG. 2 is a rear perspective view thereof;

FIG. 3 is a front view thereof;

FIG. 4 is a rear view thereof;

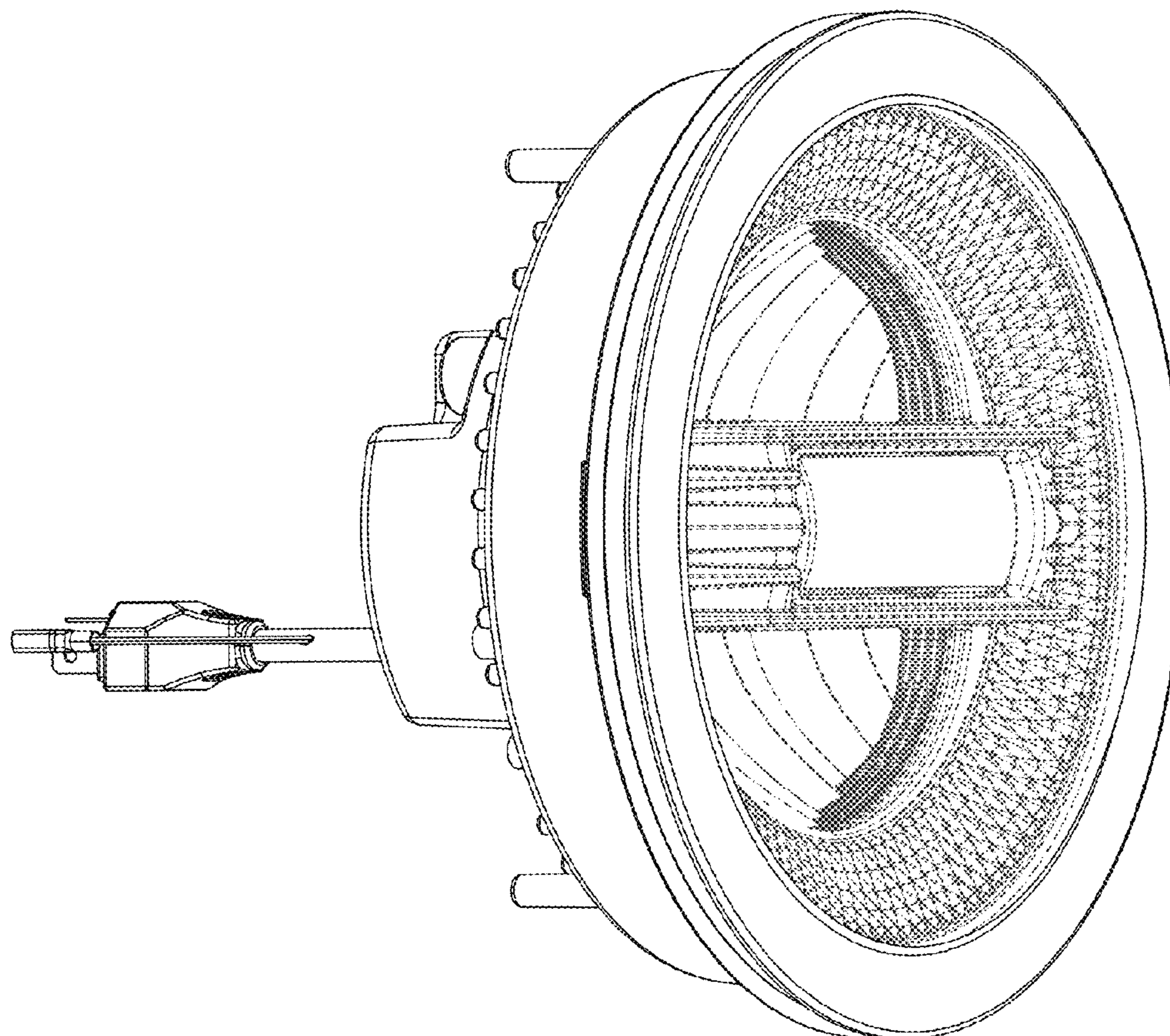
FIG. 5 is a side view thereof;

FIG. 6 is another side view thereof;

FIG. 7 is a bottom view thereof; and,

FIG. 8 is a top view thereof.

1 Claim, 8 Drawing Sheets



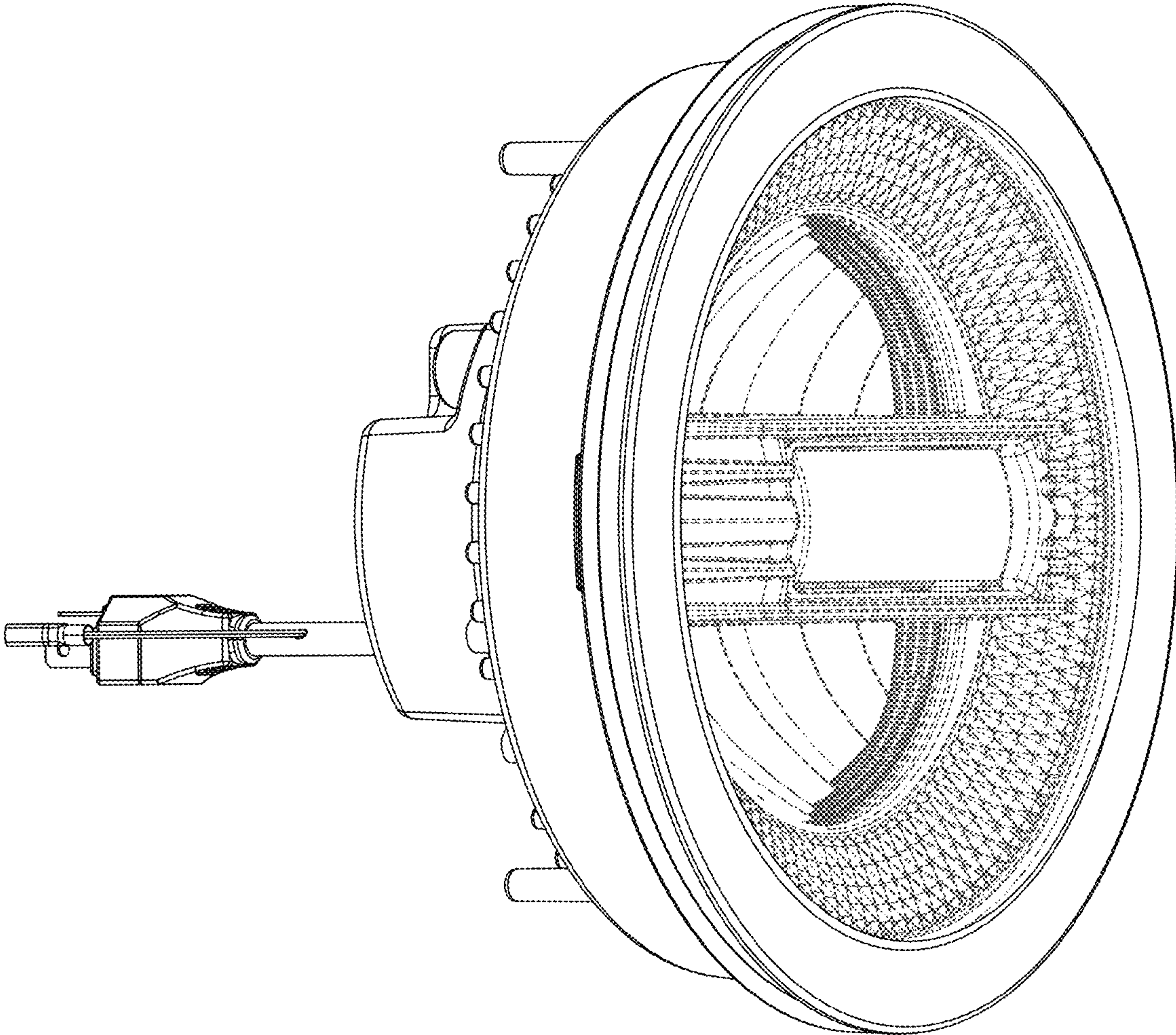
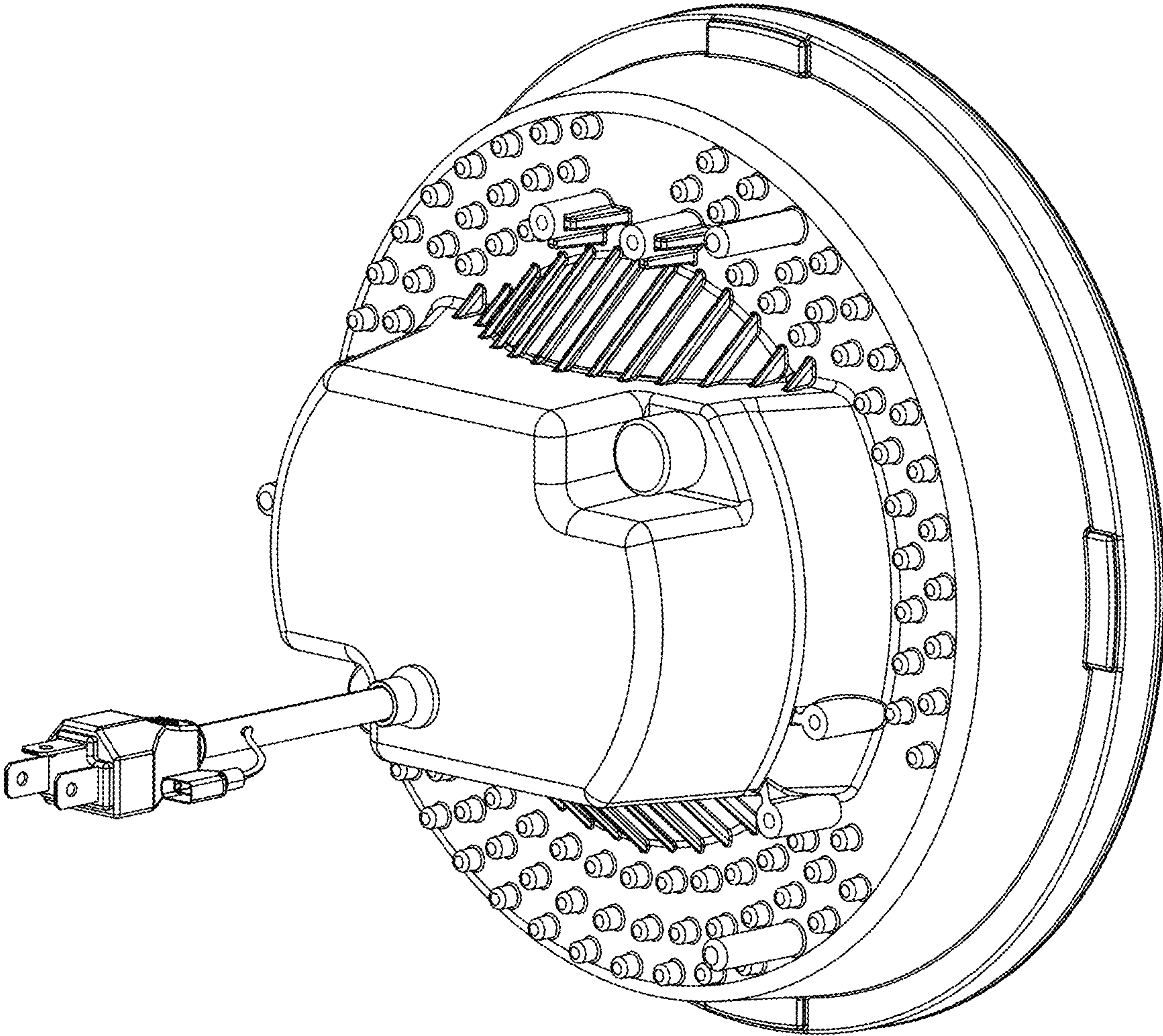


FIG. 1



F I G . 2

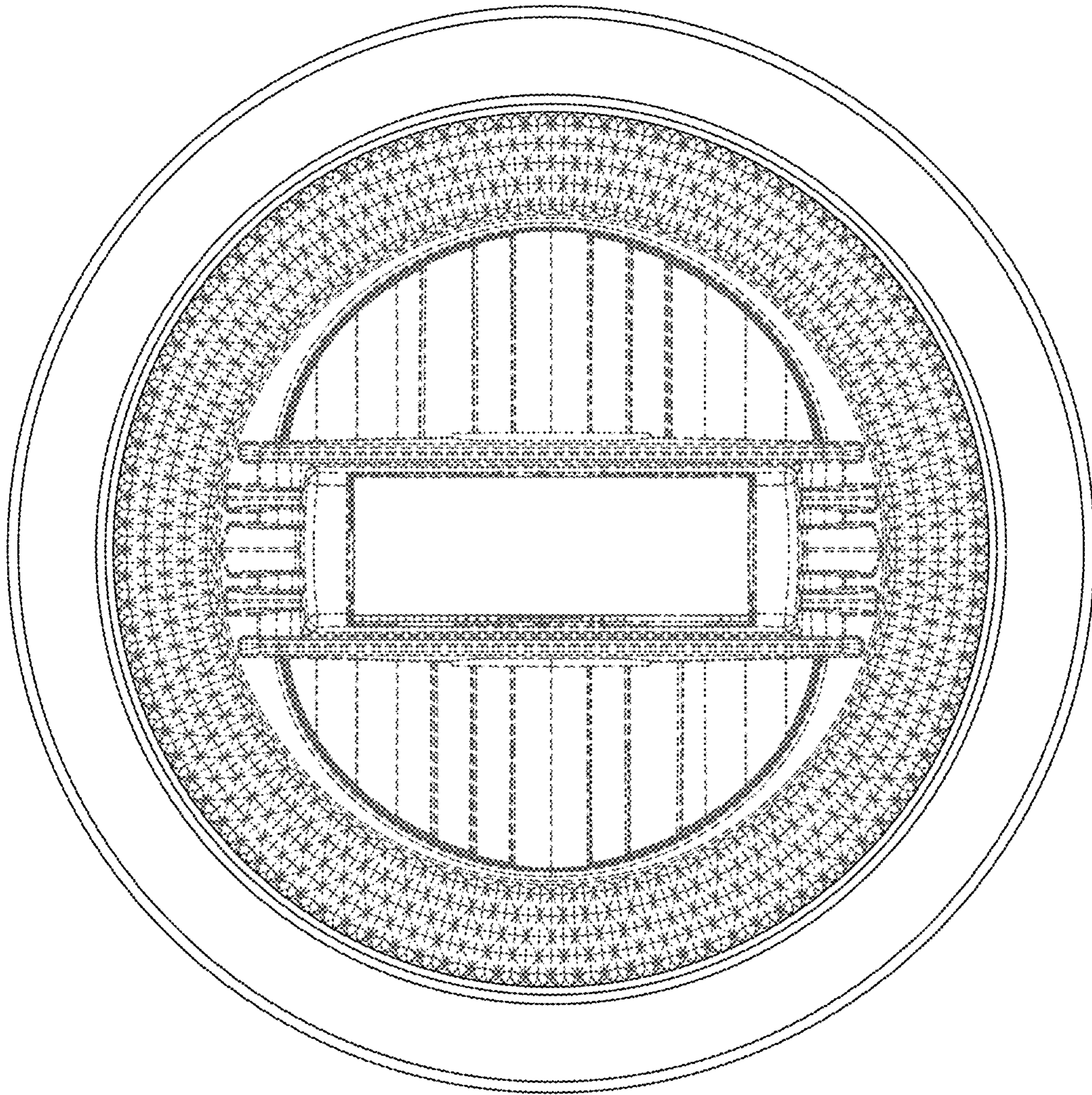


FIG. 3

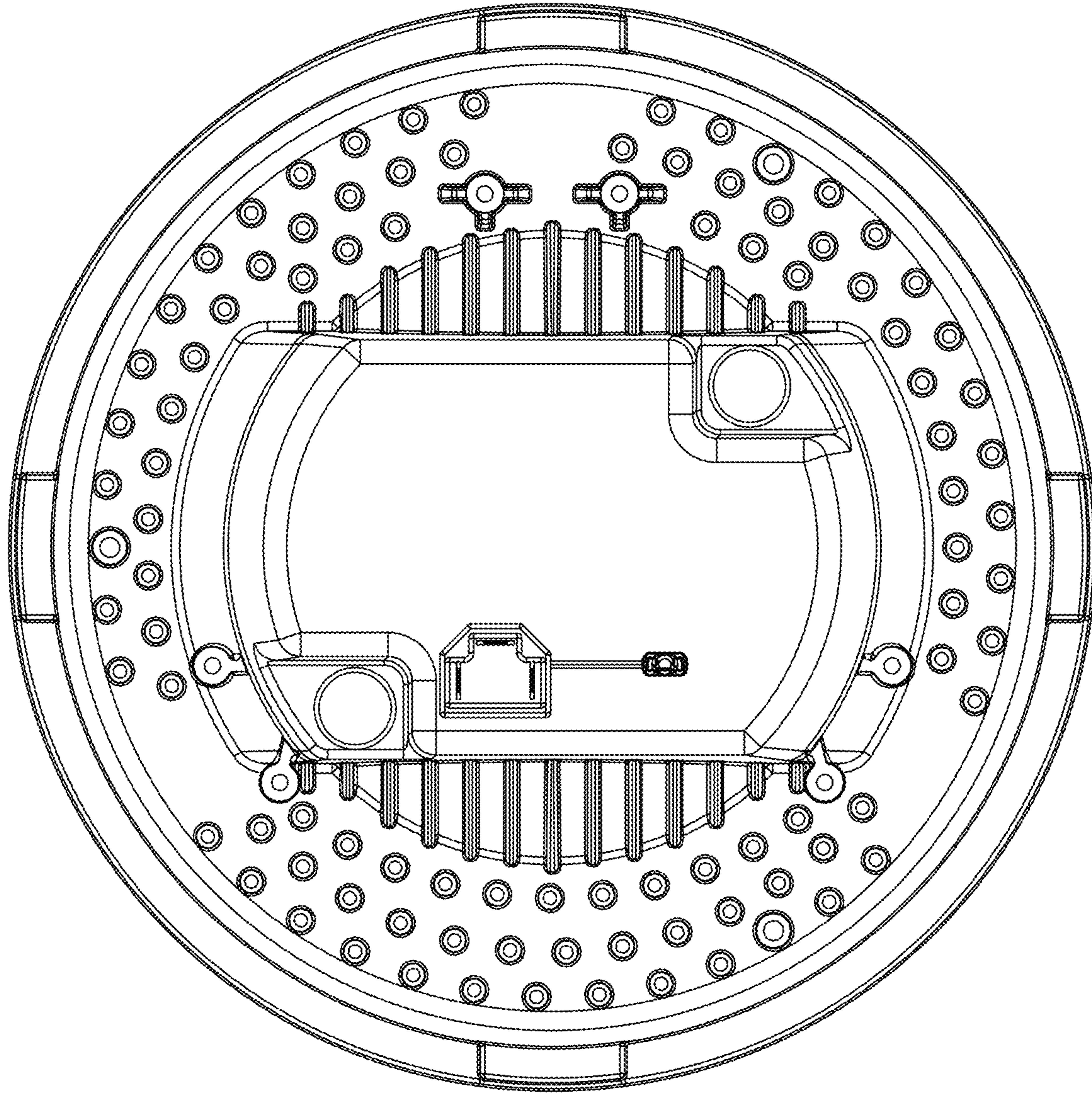


FIG. 4

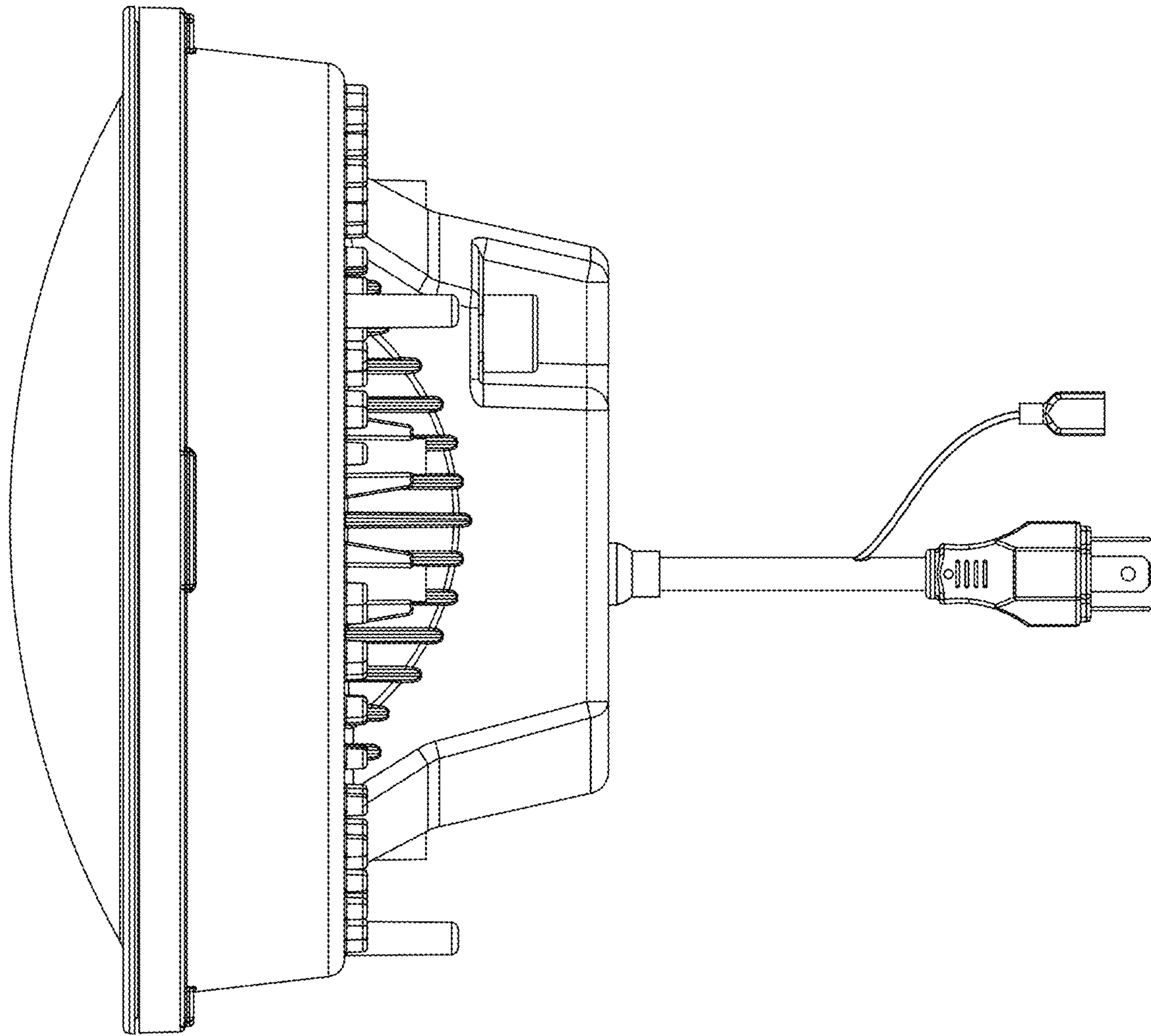


FIG. 5

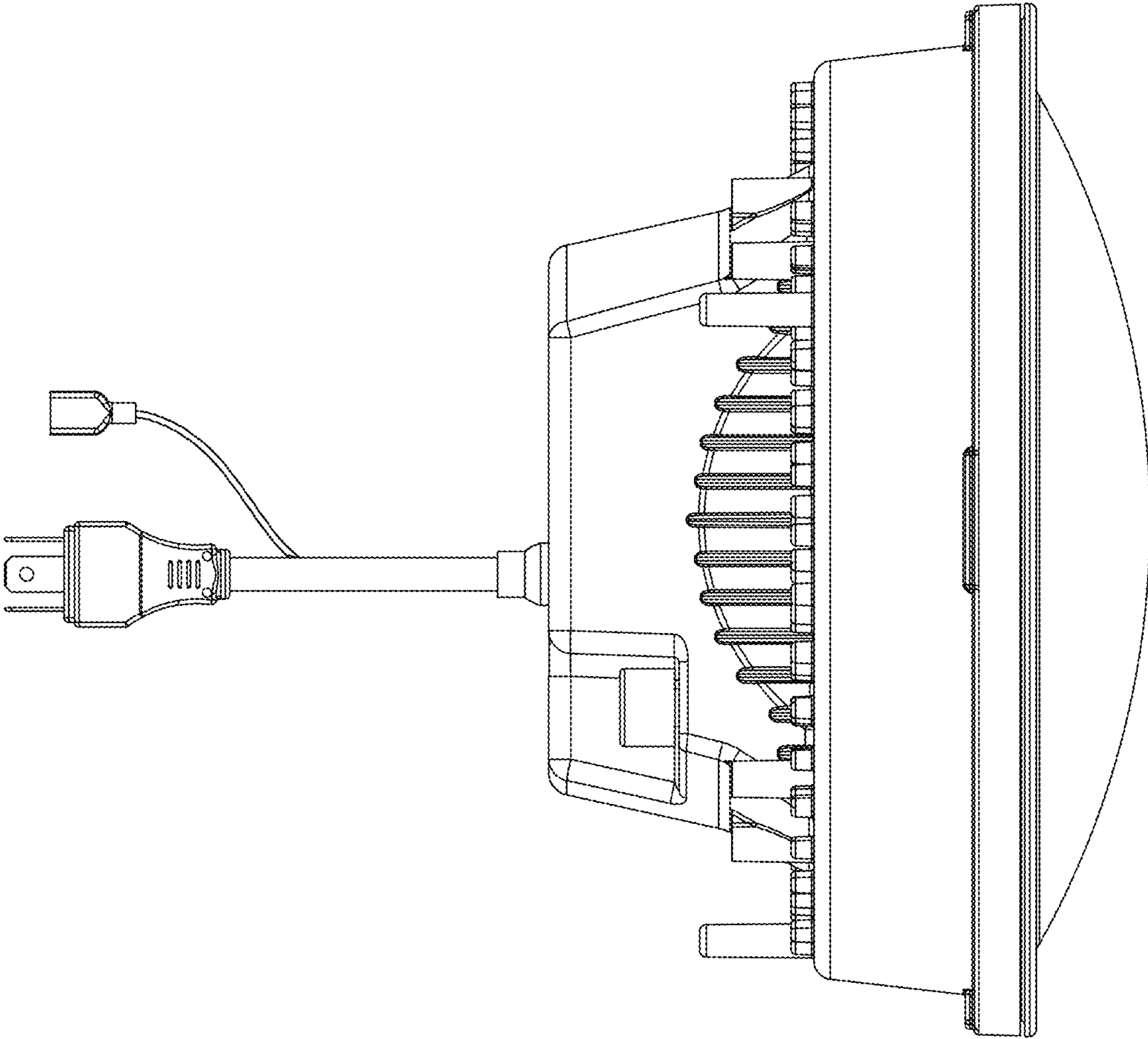


FIG. 6

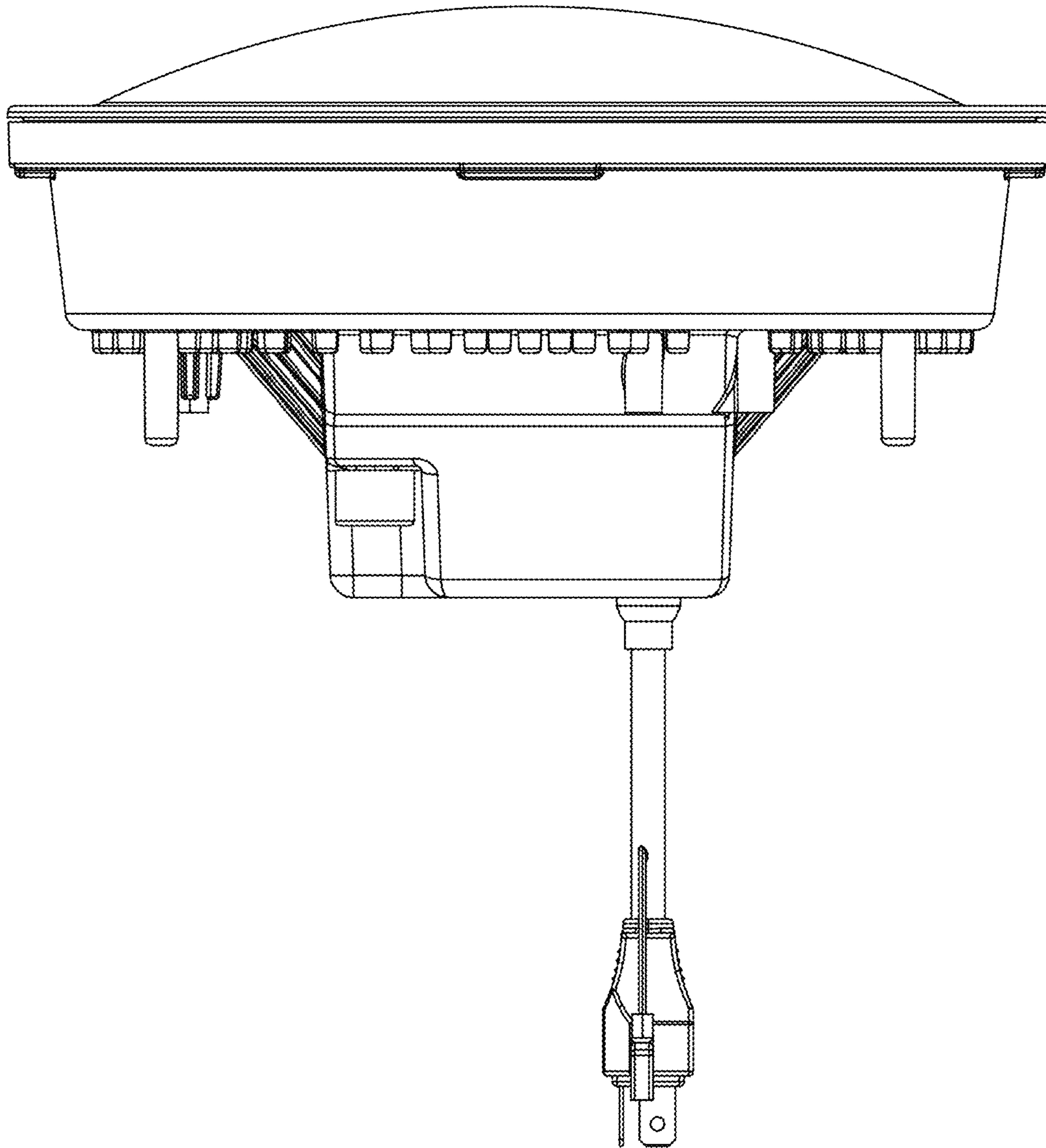


FIG. 7

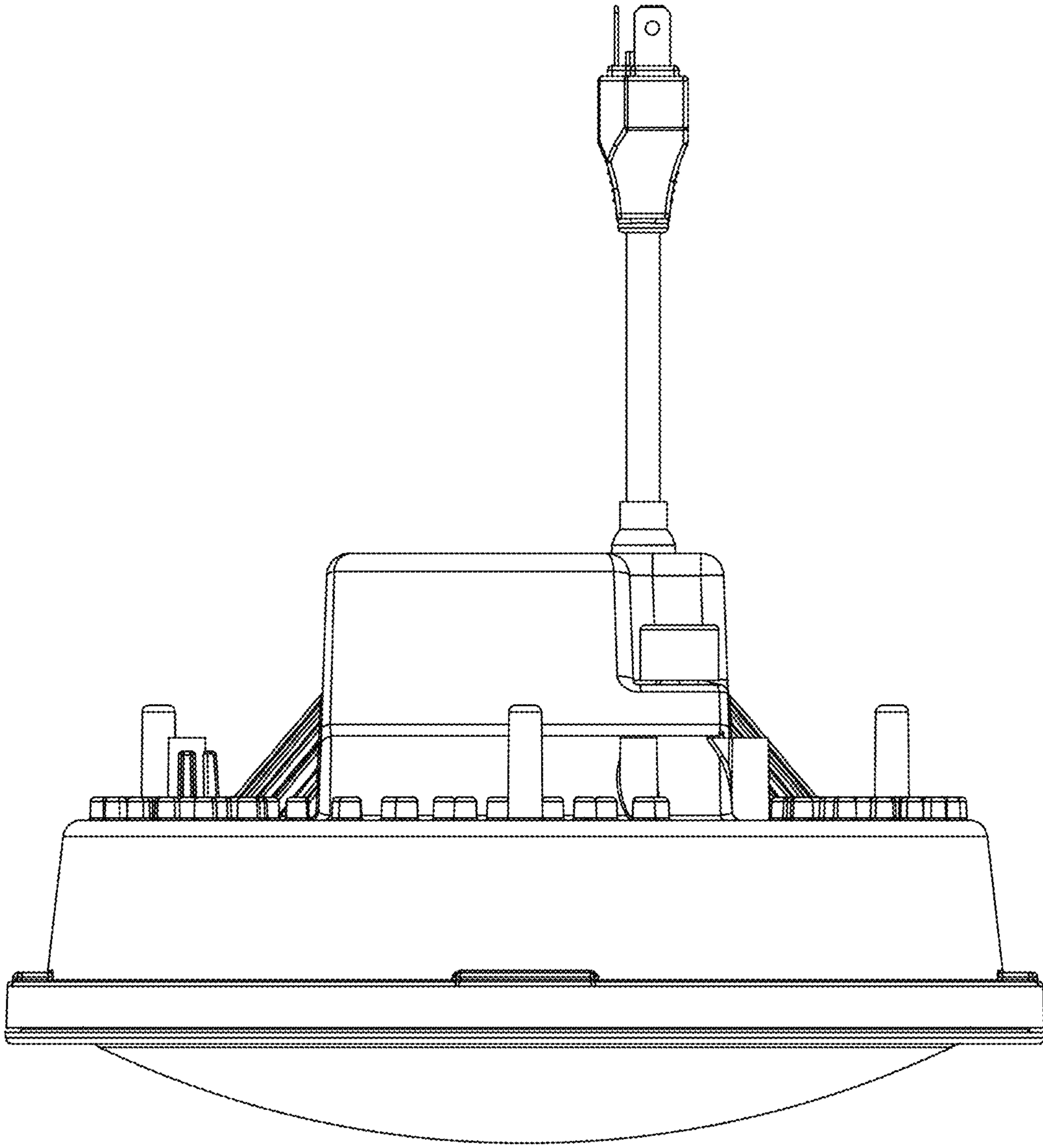


FIG. 8