



US00D922620S

(12) **United States Design Patent**
Yang

(10) **Patent No.:** **US D922,620 S**

(45) **Date of Patent:** **** Jun. 15, 2021**

(54) **SQUARE LIGHT**

(71) Applicant: **Zhong-Sheng Yang**, Hunan Province
(CN)

(72) Inventor: **Zhong-Sheng Yang**, Hunan Province
(CN)

(**) Term: **15 Years**

(21) Appl. No.: **29/677,498**

(22) Filed: **Jan. 22, 2019**

(51) **LOC (13) Cl.** **26-02**

(52) **U.S. Cl.**
USPC **D26/28**

(58) **Field of Classification Search**
USPC D26/1, 2, 24, 28-32, 34-36, 60-61, 104,
D26/106, 139
CPC ... F21V 21/04; F21V 3/00; F21V 1/02; F21V
5/00; F21S 48/10; F21S 48/225; F21S
48/1233; F21S 48/1266; F21S 48/2268
See application file for complete search history.

(56) **References Cited**

U.S. PATENT DOCUMENTS

4,972,301 A *	11/1990	Kasboske	B60Q 1/0483 362/362
D407,836 S *	4/1999	Leen	D26/63
D566,318 S *	4/2008	Quiogue	D26/63
D591,883 S *	5/2009	Gill	D26/63
D642,721 S *	8/2011	Li	D26/63
D676,595 S *	2/2013	Giacomazzi	D26/118
D698,059 S *	1/2014	Korpi	D26/63
D698,473 S *	1/2014	Korpi	D26/63
8,911,116 B2 *	12/2014	Blincoe	F21V 7/00 362/294
D734,886 S *	7/2015	Lazalier	D26/63
D761,472 S *	7/2016	Zhu	D26/63
D786,470 S *	5/2017	Largent	D26/72
D793,592 S *	8/2017	Chen	D26/28
D796,095 S *	8/2017	Huang	D26/28

D798,475 S *	9/2017	Georgitsis	D26/28
D827,167 S *	8/2018	Deyaf	D26/28
D839,458 S *	1/2019	Ting	D26/28
D851,297 S *	6/2019	Dennis	D26/28
D853,604 S *	7/2019	Ting	D26/28
D854,204 S *	7/2019	Ting	D26/28
D854,206 S *	7/2019	Yang	D26/36
D854,720 S *	7/2019	Deng	D26/63
D855,844 S *	8/2019	Peng	D26/28
D858,840 S *	9/2019	Deng	D26/63

(Continued)

OTHER PUBLICATIONS

amazon.co.uk: Willpower 2 Pieces 105W LED Headlights. Date uploaded Oct. 10, 2019 [site visited Sep. 11, 2020]. Retrieved from internet, <<https://www.amazon.co.uk/Willpower-Headlights-Rectangular-Replacement-Headlight/> . . . > (Year: 2019).*

(Continued)

Primary Examiner — Marcus A Jackson
(74) *Attorney, Agent, or Firm* — W&K IP

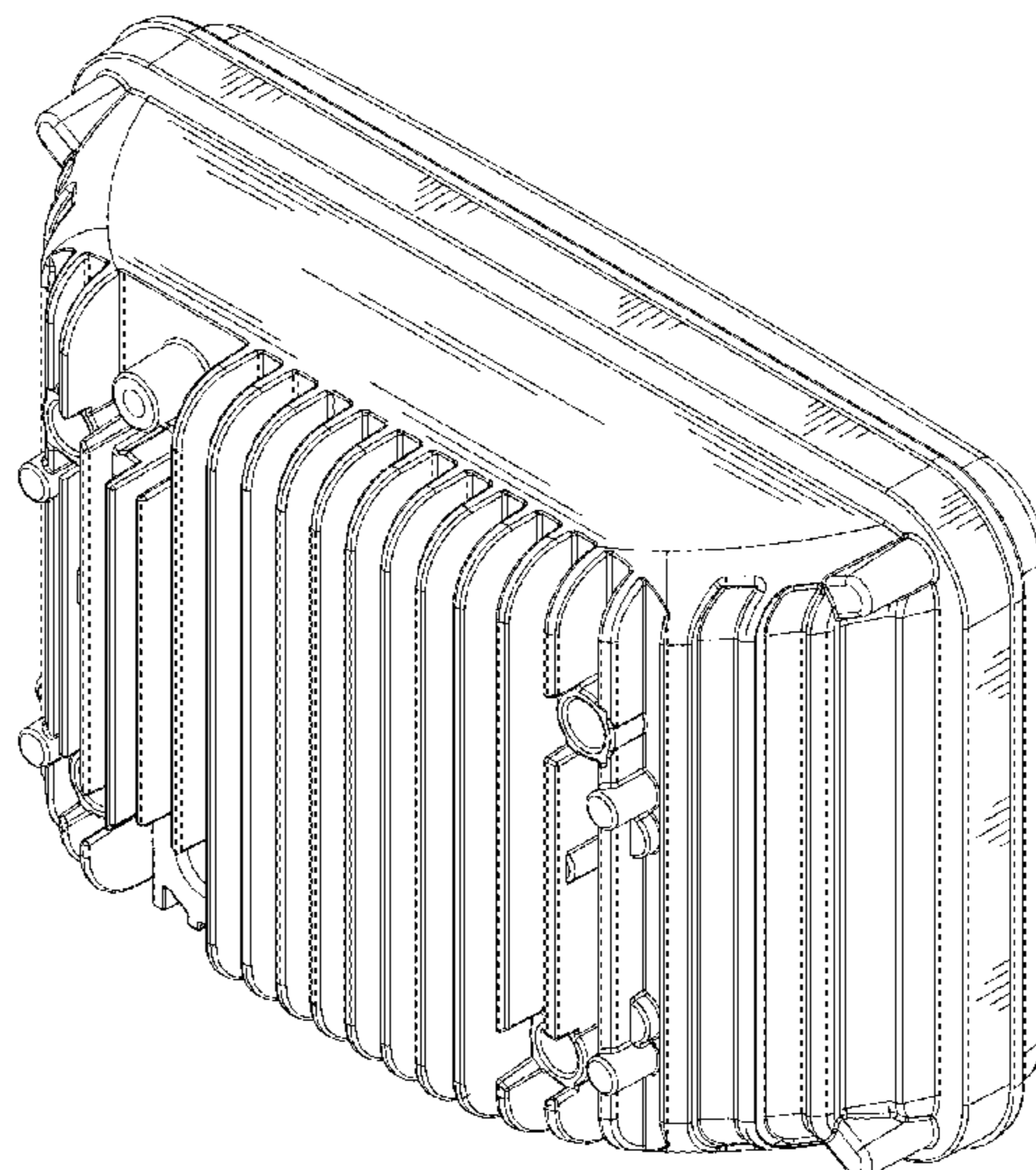
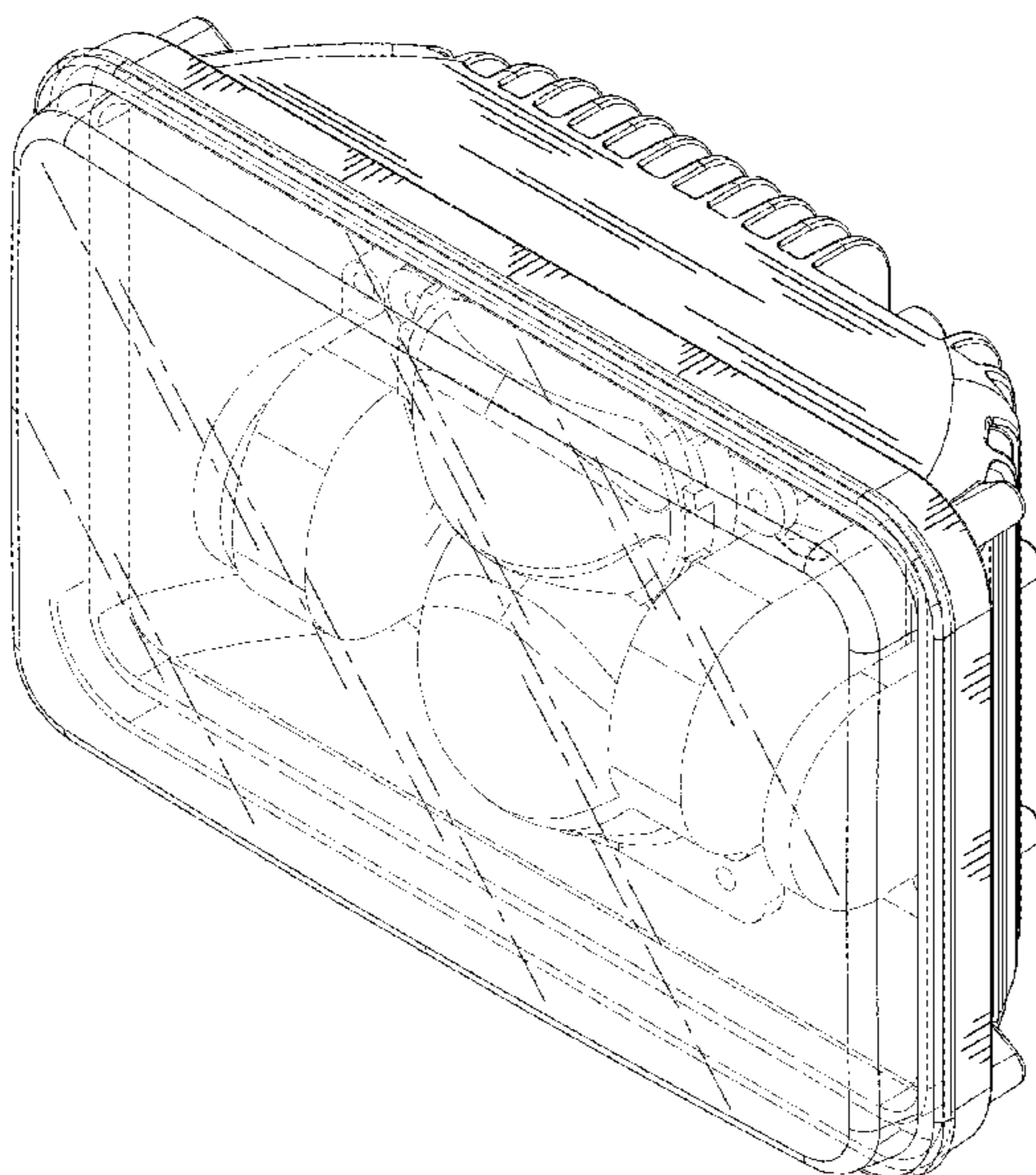
(57) **CLAIM**

The ornamental design for a square light, as shown and described.

DESCRIPTION

FIG. 1 is a perspective view of a square light showing my new design;
FIG. 2 is a front elevational view thereof;
FIG. 3 is a top plan view thereof;
FIG. 4 is a left side elevational view thereof;
FIG. 5 is a rear elevational view thereof;
FIG. 6 is a right side view thereof;
FIG. 7 is a bottom plan view; and,
FIG. 8 is a perspective reference view thereof.
The broken lines in the drawings illustrate portions of the square light that form no part of the claimed design.

1 Claim, 8 Drawing Sheets



(56)

References Cited

U.S. PATENT DOCUMENTS

D863,613	S	*	10/2019	Korpi	D26/28
D864,428	S	*	10/2019	Yang	D26/24
D866,818	S	*	11/2019	Lindholm	D26/28
D889,717	S	*	7/2020	Kim	D26/63
D889,718	S	*	7/2020	Kim	D26/63
D889,719	S	*	7/2020	Kim	D26/63
2015/0198298	A1	*	7/2015	Scarlata	F21S 9/00 362/184

OTHER PUBLICATIONS

amazon.co.uk: GZLMMY 1 Pair 300W 30000 Lumens LED Front Headlight. Date uploaded Sep. 18, 2018 [site visited Sep. 11, 2020]. Retrieved from internet, <<https://www.amazon.co.uk/GZLMMY-Headlight-Waterproof-Rectangular-Replacement/...>> (Year: 2018).*

amazon.co.uk: WOWLED 2 Pcs 27W LED Work Light Offroad Flood Beam Driving Lamp. Date uploaded Sep. 27, 2016 [site visited Sep. 11, 2020]. Retrieved from internet, <<https://www.amazon.co.uk/WOWLED-Light-Offroad-Flood-Driving/dp/B012184SKE/...>> (Year: 2016).*

* cited by examiner

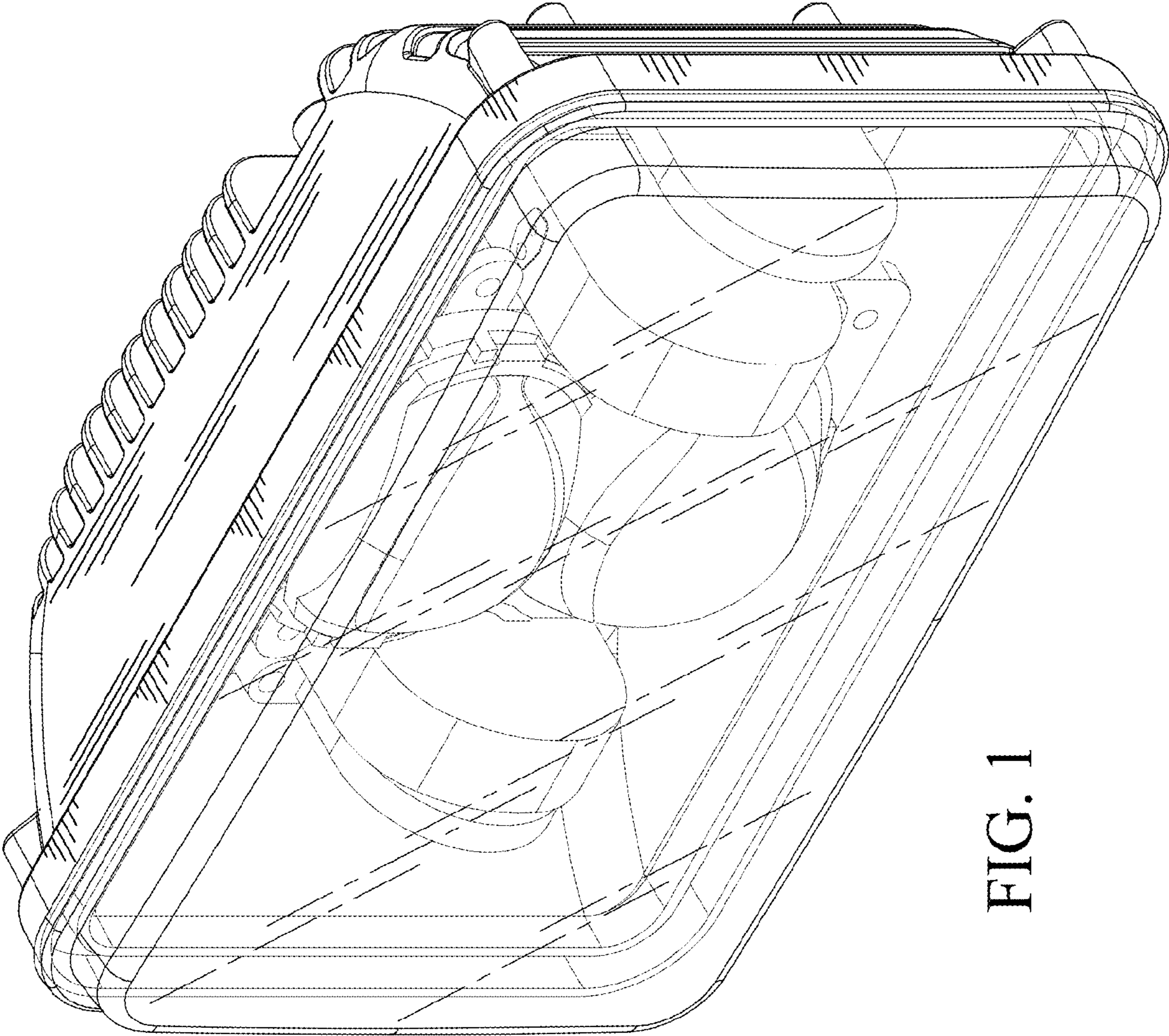


FIG. 1

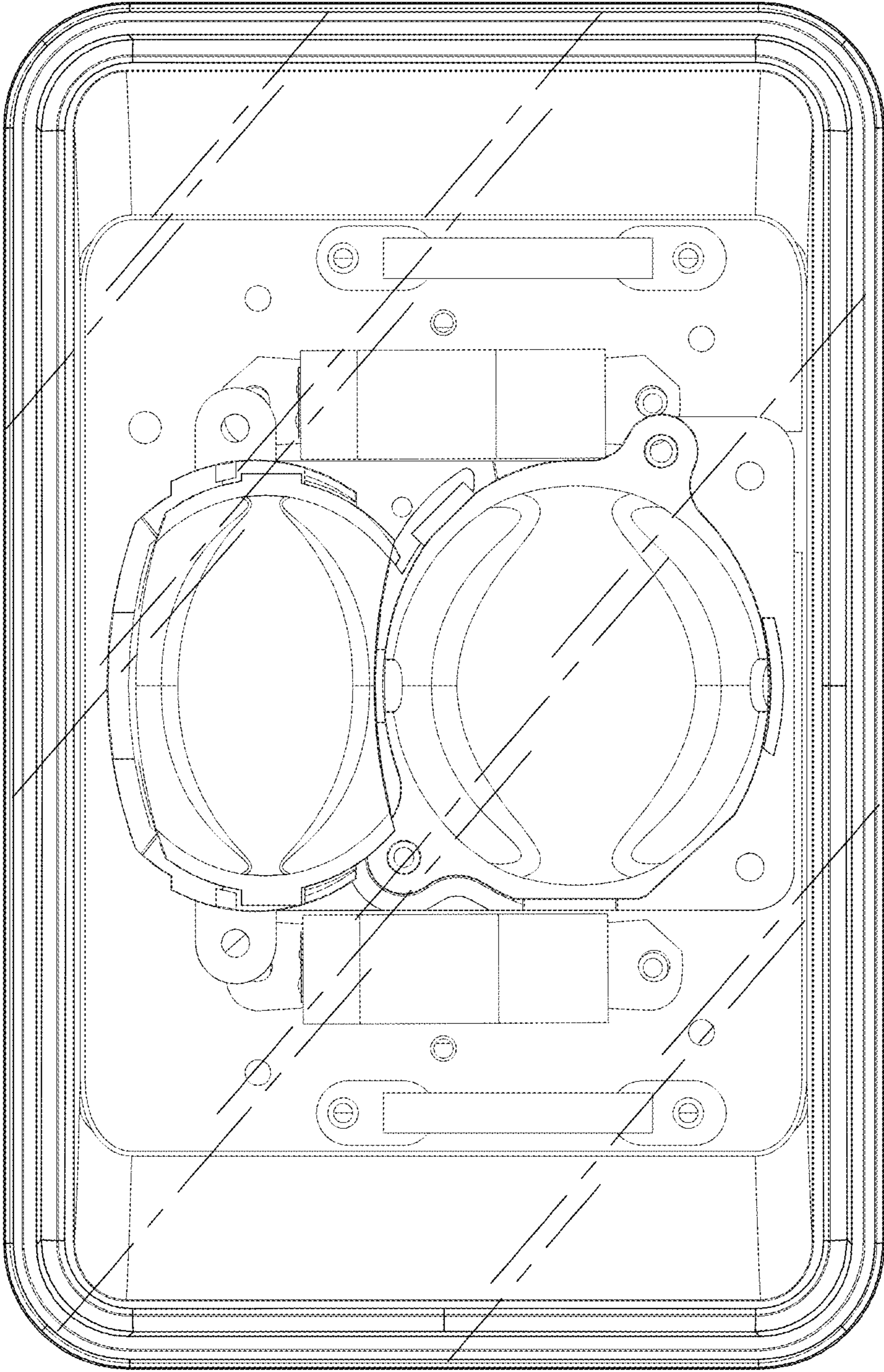


FIG. 2

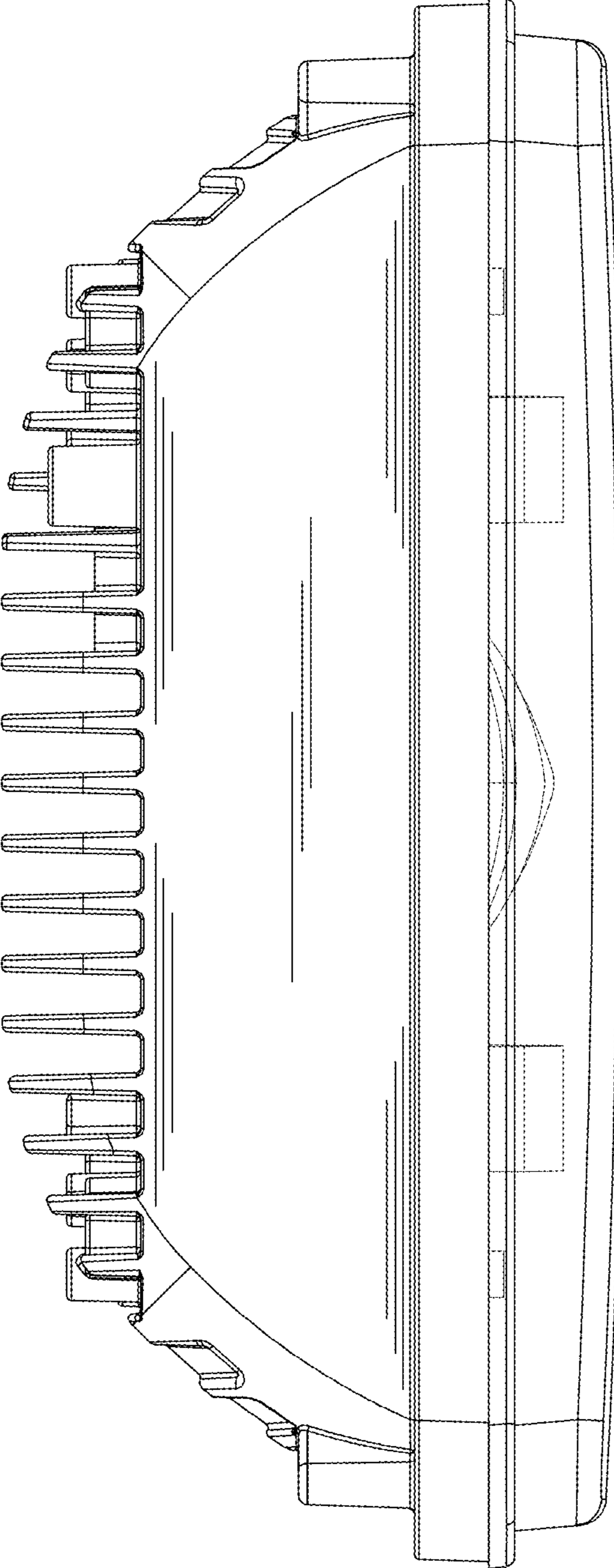


FIG. 3

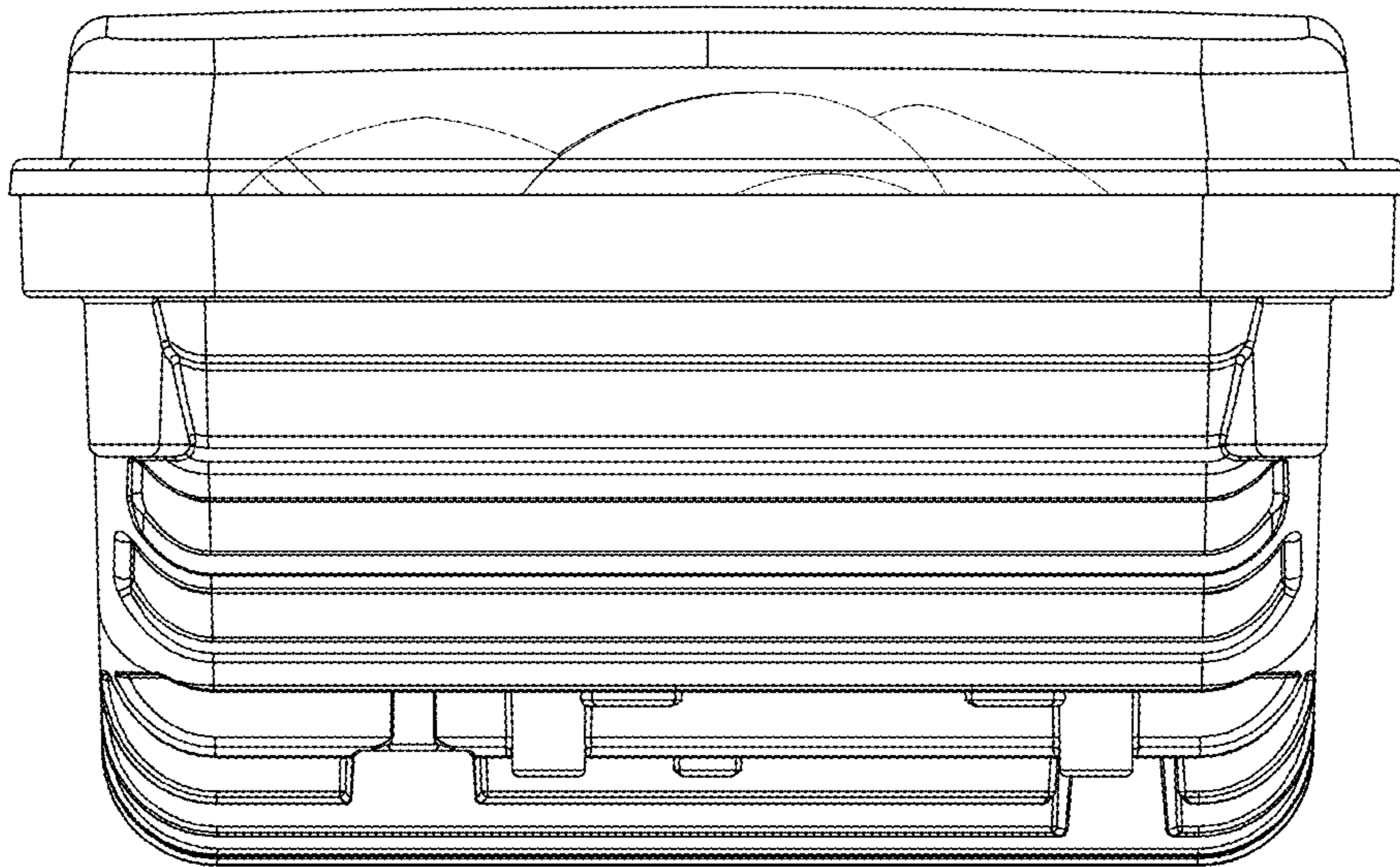


FIG. 4

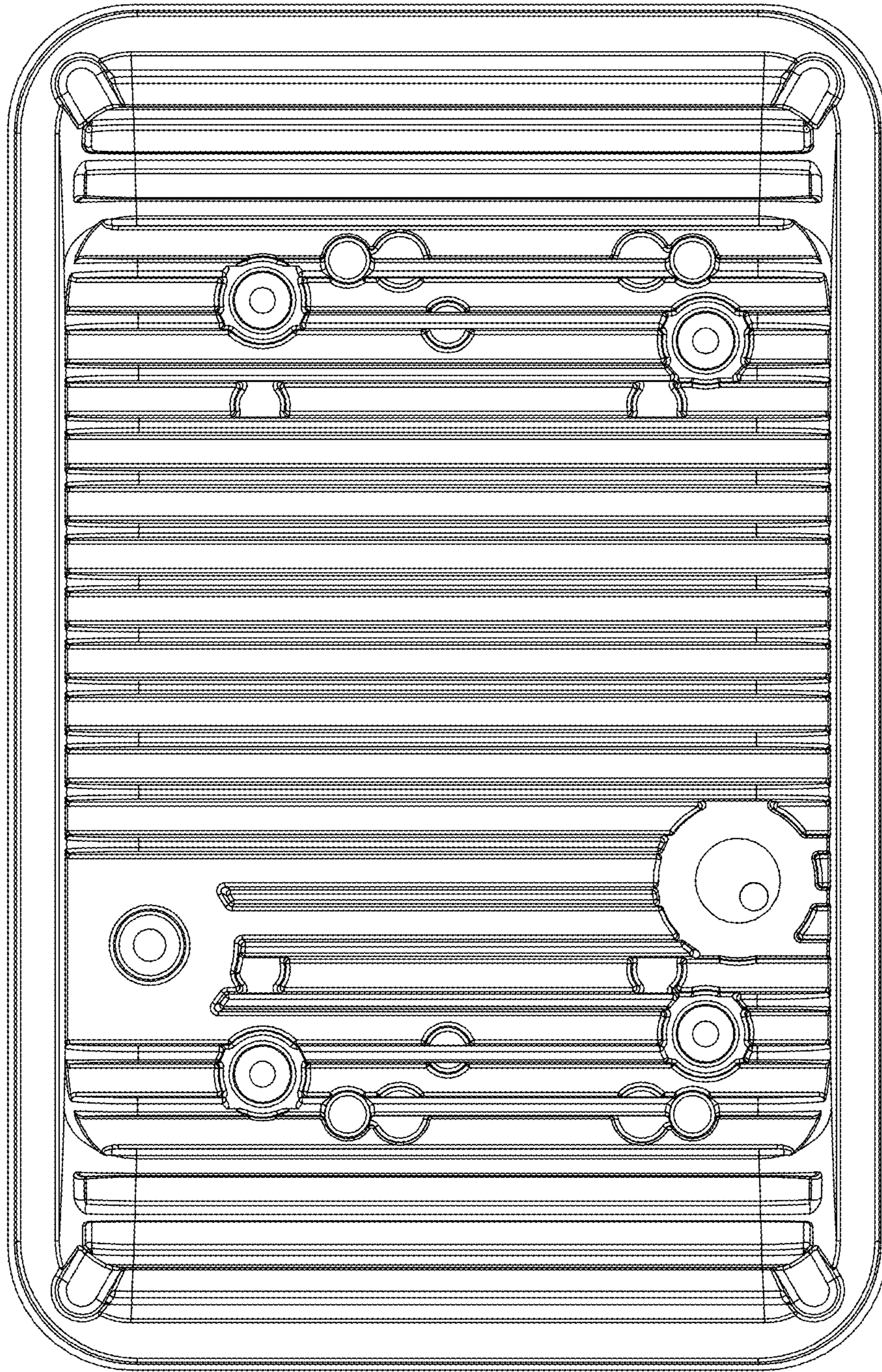


FIG. 5

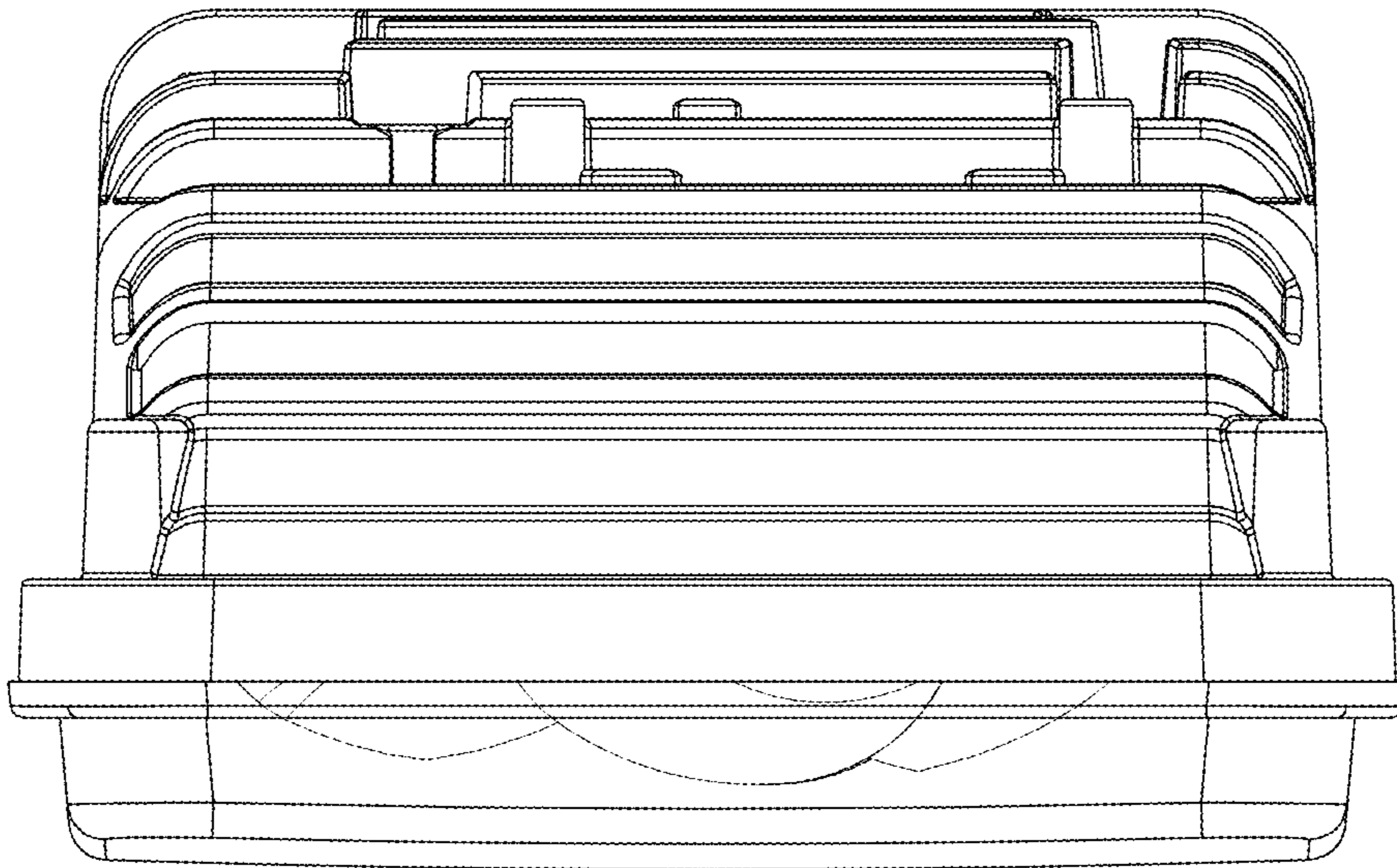


FIG. 6

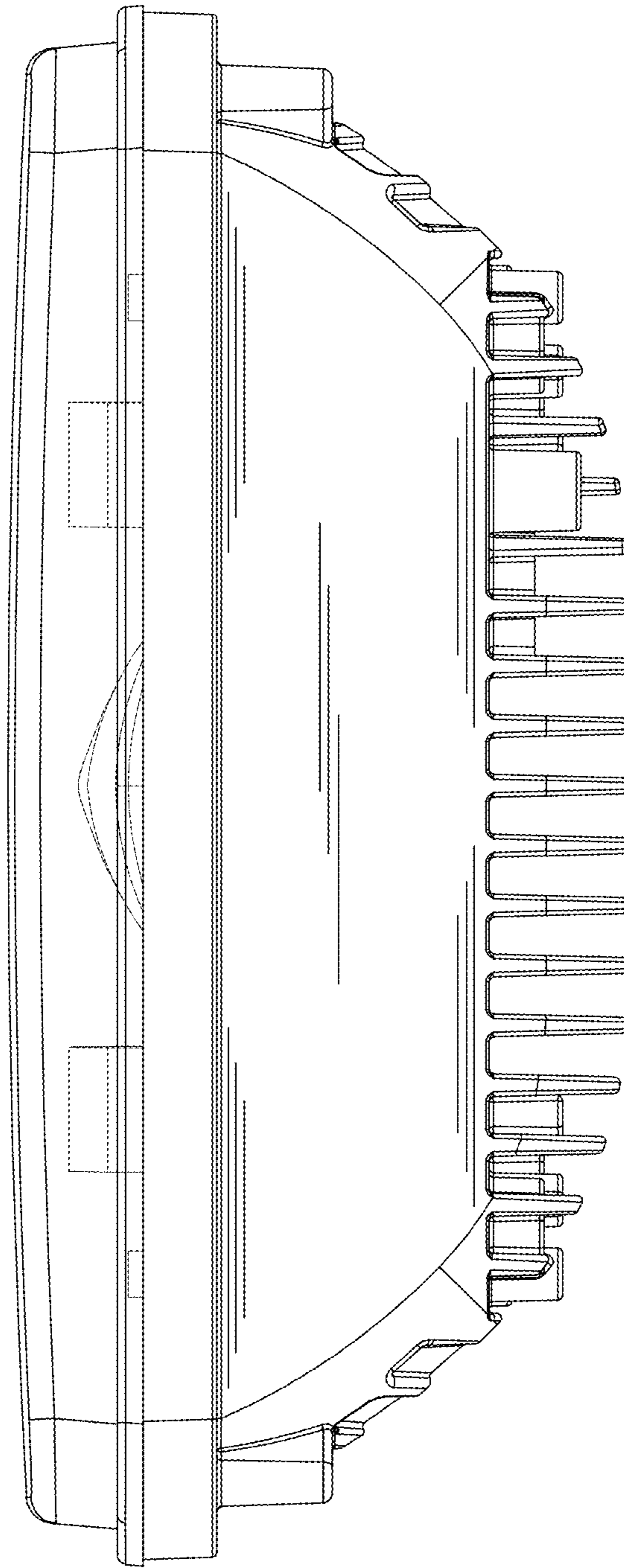


FIG. 7

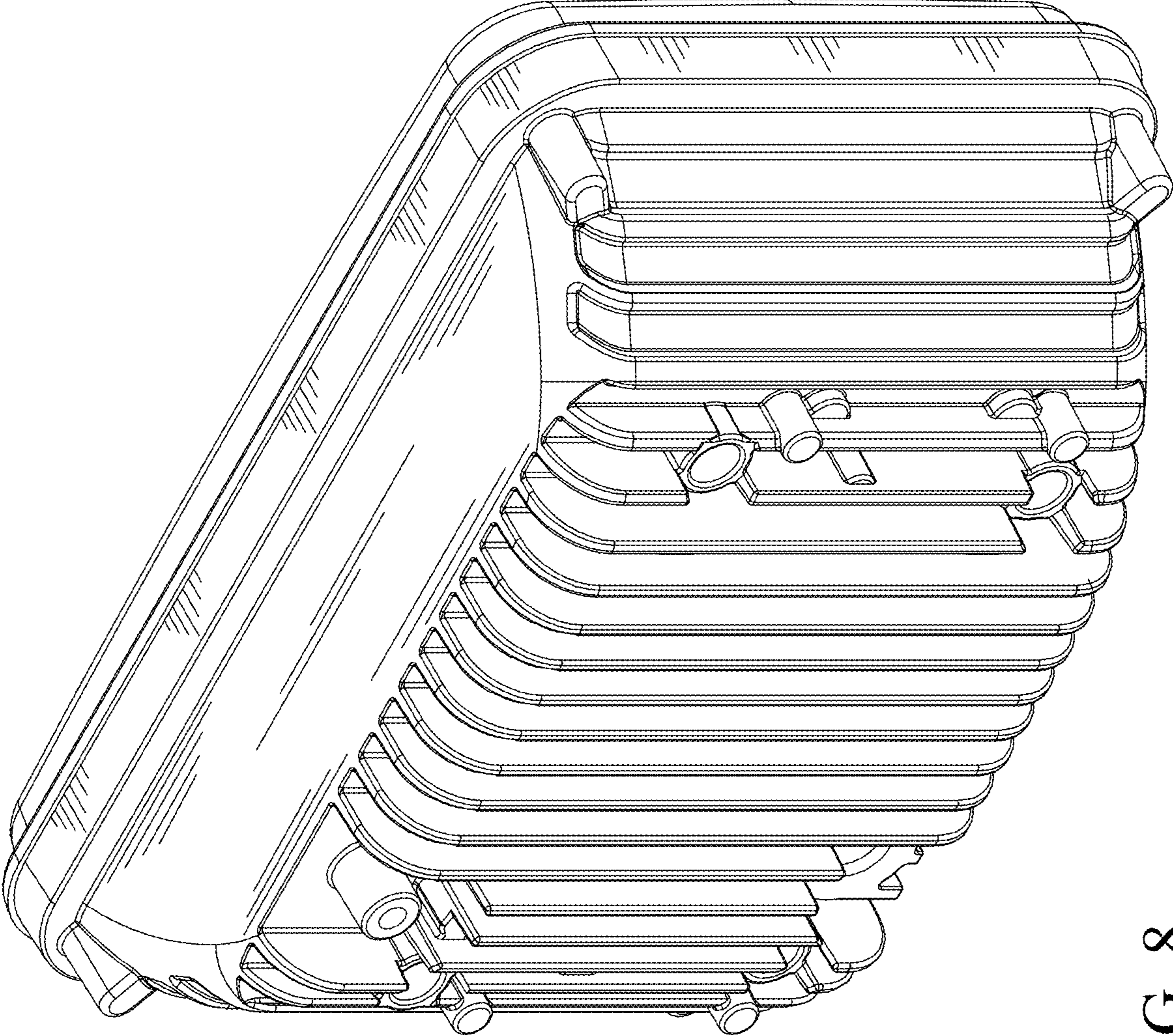


FIG. 8