



US00D922618S

(12) **United States Design Patent**  
**Newson**

(10) **Patent No.:** **US D922,618 S**  
(45) **Date of Patent:** **\*\* Jun. 15, 2021**

(54) **CANDLE**

(71) Applicant: **LOUIS VUITTON MALLETIER**,  
Paris (FR)

(72) Inventor: **Marc Newson**, London (GB)

(73) Assignee: **Louis Vuitton Malletier**, Paris (FR)

(\*\*) Term: **15 Years**

(21) Appl. No.: **29/670,736**

(22) Filed: **Nov. 19, 2018**

(30) **Foreign Application Priority Data**

May 25, 2018 (FR) ..... 2018-2468-002

(51) **LOC (13) Cl.** ..... **26-04**

(52) **U.S. Cl.**  
USPC ..... **D26/6**

(58) **Field of Classification Search**  
USPC ..... D26/6-23; D9/428; D11/131, 145, 152,  
D11/155; D7/361, 642, 664, 354;  
220/696, 754, 758, 760; D3/240  
CPC ..... F21V 99/00; F21V 35/00; F21V 37/00;  
F21V 21/06; C11C 5/008; C11C 5/00;  
Y10S 362/806; Y10S 229/923; F23D  
3/08; F23D 3/16; B65D 5/52; A47G  
33/00  
See application file for complete search history.

(56) **References Cited**

U.S. PATENT DOCUMENTS

1,148,399 A \* 7/1915 Perry ..... B65D 25/32  
220/764

D341,780 S \* 11/1993 Turner ..... D9/503

5,287,990 A \* 2/1994 Knox ..... B65D 25/32  
220/759

D382,766 S \* 8/1997 Hamada ..... D7/354

D394,513 S \* 5/1998 Davis ..... D26/6

5,816,439 A \* 10/1998 Lovell ..... B65D 25/32  
220/760

D637,741 S \* 5/2011 Horezniak ..... D26/6

D664,687 S \* 7/2012 Inana ..... D26/6

D672,891 S \* 12/2012 McLaren ..... D26/6

D711,679 S \* 8/2014 Day ..... D7/354

D729,989 S \* 5/2015 Krueger ..... D30/124

D743,137 S \* 11/2015 Vasilakes ..... D32/53

D750,420 S \* 3/2016 Hu ..... D7/354

D788,380 S \* 5/2017 Krueger ..... D30/124

D811,801 S \* 3/2018 Workman ..... D7/361

D820,027 S \* 6/2018 Weernink ..... D7/354

D865,445 S \* 11/2019 Lin ..... D7/409

D876,875 S \* 3/2020 Wang ..... D7/359

D889,901 S \* 7/2020 Cheng ..... D7/354

2006/0043098 A1 \* 3/2006 Backes ..... B65D 25/32  
220/760

2007/0108197 A1 \* 5/2007 Richardson ..... B65D 43/0212  
219/734

2013/0291802 A1 \* 11/2013 Carpentieri ..... A01K 7/027  
119/72

(Continued)

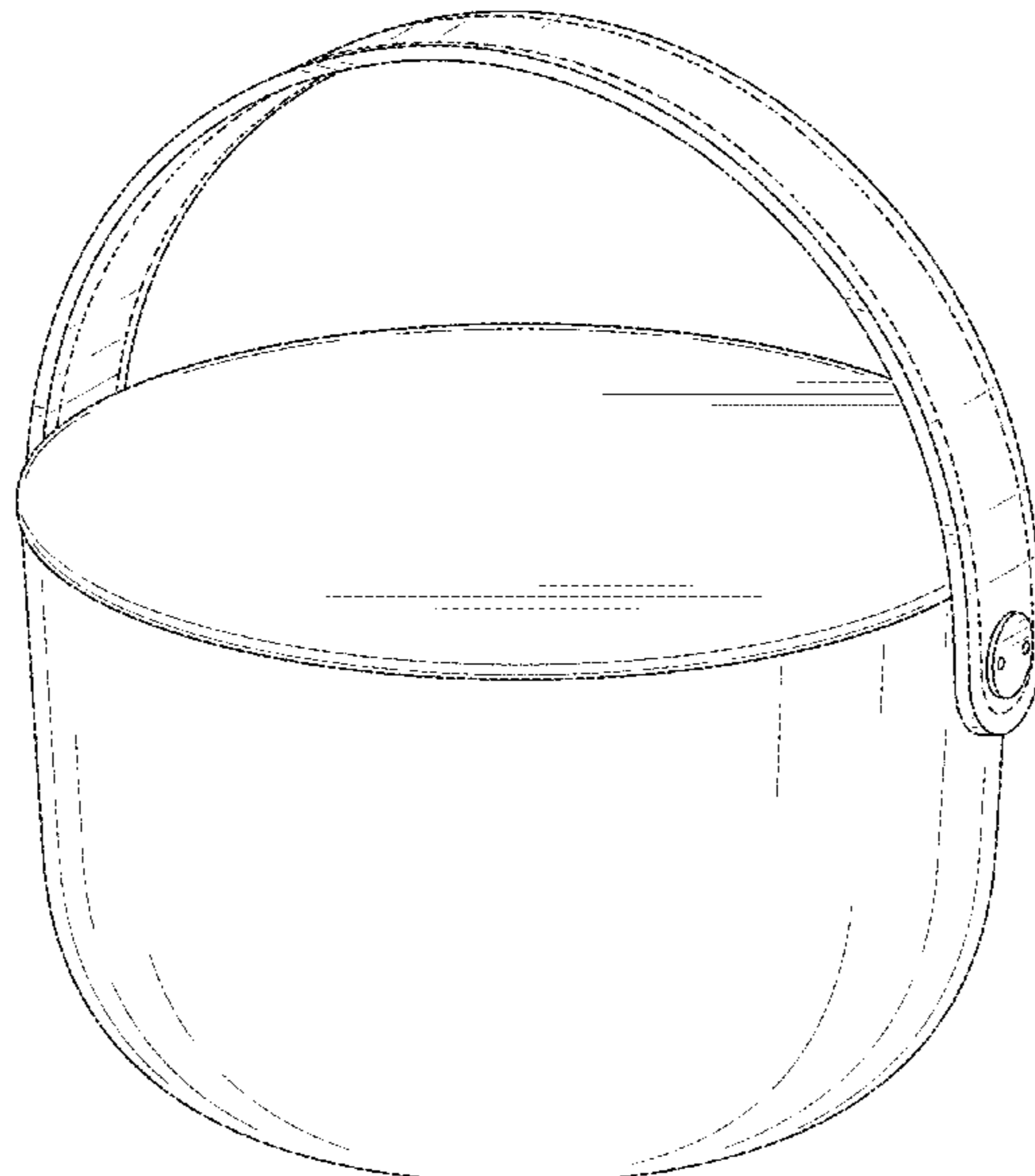
*Primary Examiner* — Marcus A Jackson  
(74) *Attorney, Agent, or Firm* — Fross Zelnick Lehrman  
& Zissu, P.C.; Charles T. J. Weigell, Esq.

(57) **CLAIM**  
The ornamental design for a candle, as shown and described.

**DESCRIPTION**

FIG. 1 is a front perspective view of a candle showing my new design;  
FIG. 2 is a front view thereof;  
FIG. 3 is a back view thereof;  
FIG. 4 is a left side view thereof;  
FIG. 5 is a right side view thereof;  
FIG. 6 is a top view thereof; and,  
FIG. 7 is a bottom view thereof.  
The stitching in the drawings form no part of the claimed design.

**1 Claim, 7 Drawing Sheets**



(56)

**References Cited**

U.S. PATENT DOCUMENTS

2013/0341341 A1\* 12/2013 Giedroyce ..... B65D 25/2876  
220/754  
2016/0090211 A1\* 3/2016 Bateman ..... A47G 23/0216  
220/758

\* cited by examiner

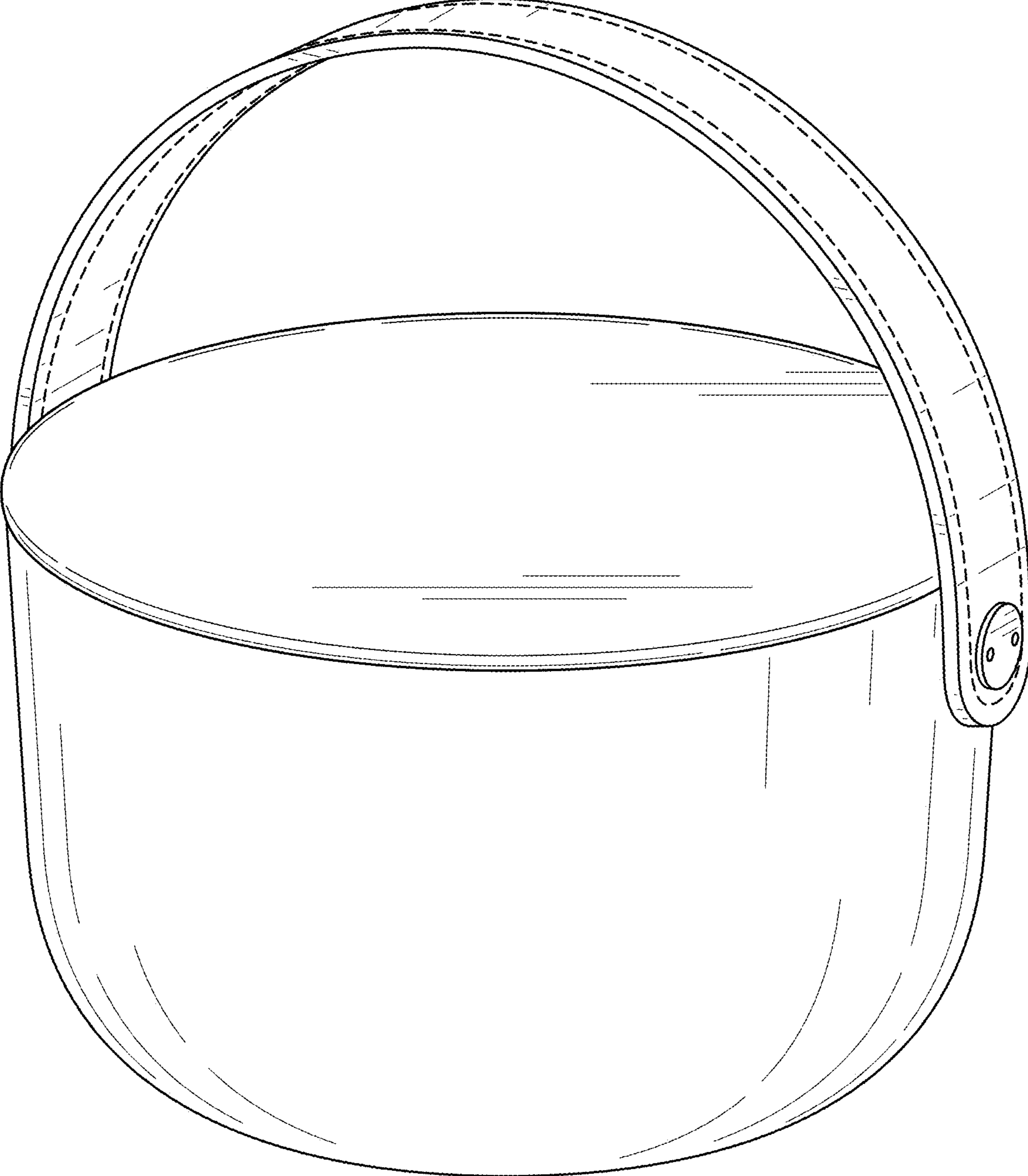


FIG. 1

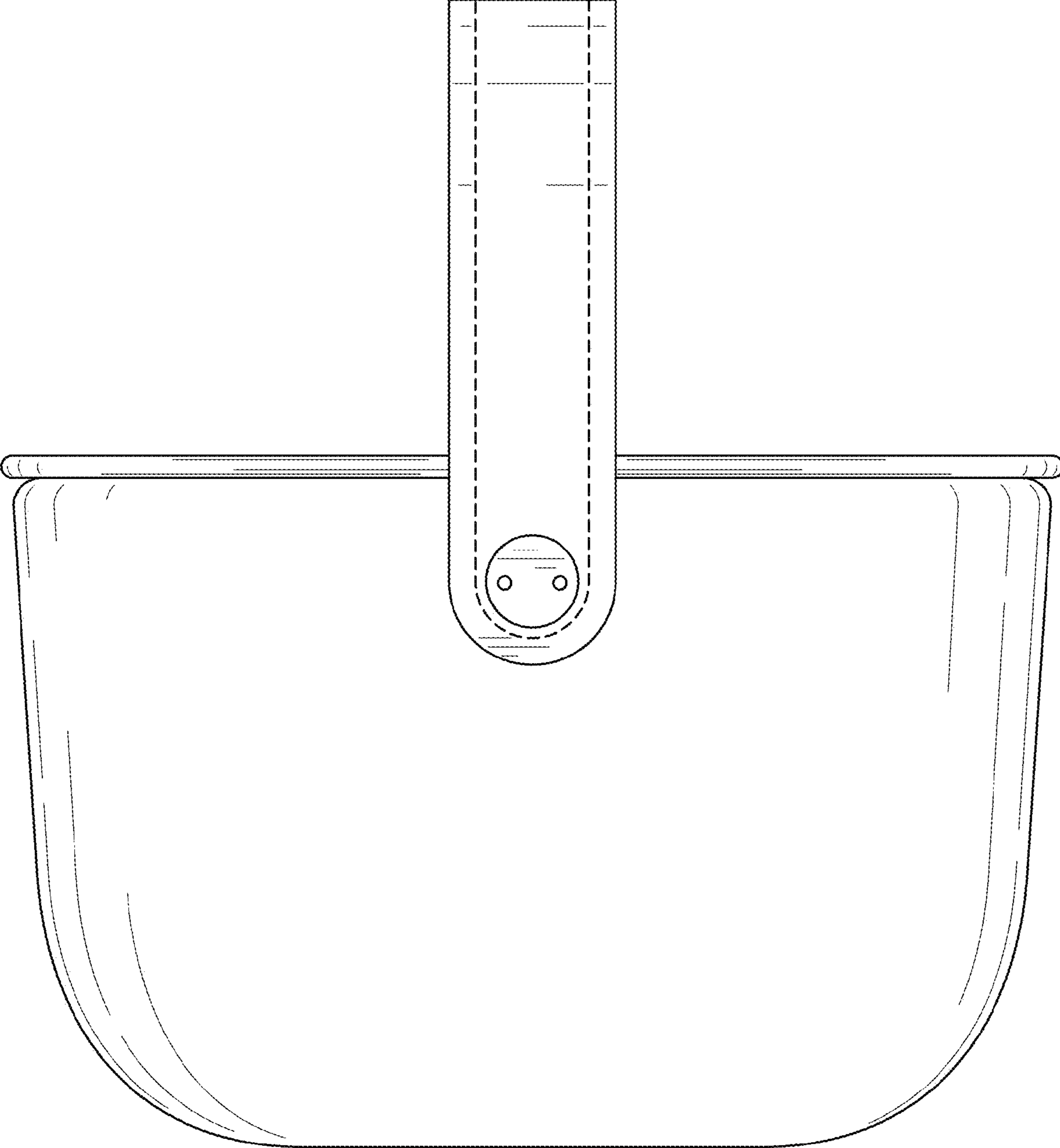


FIG. 2

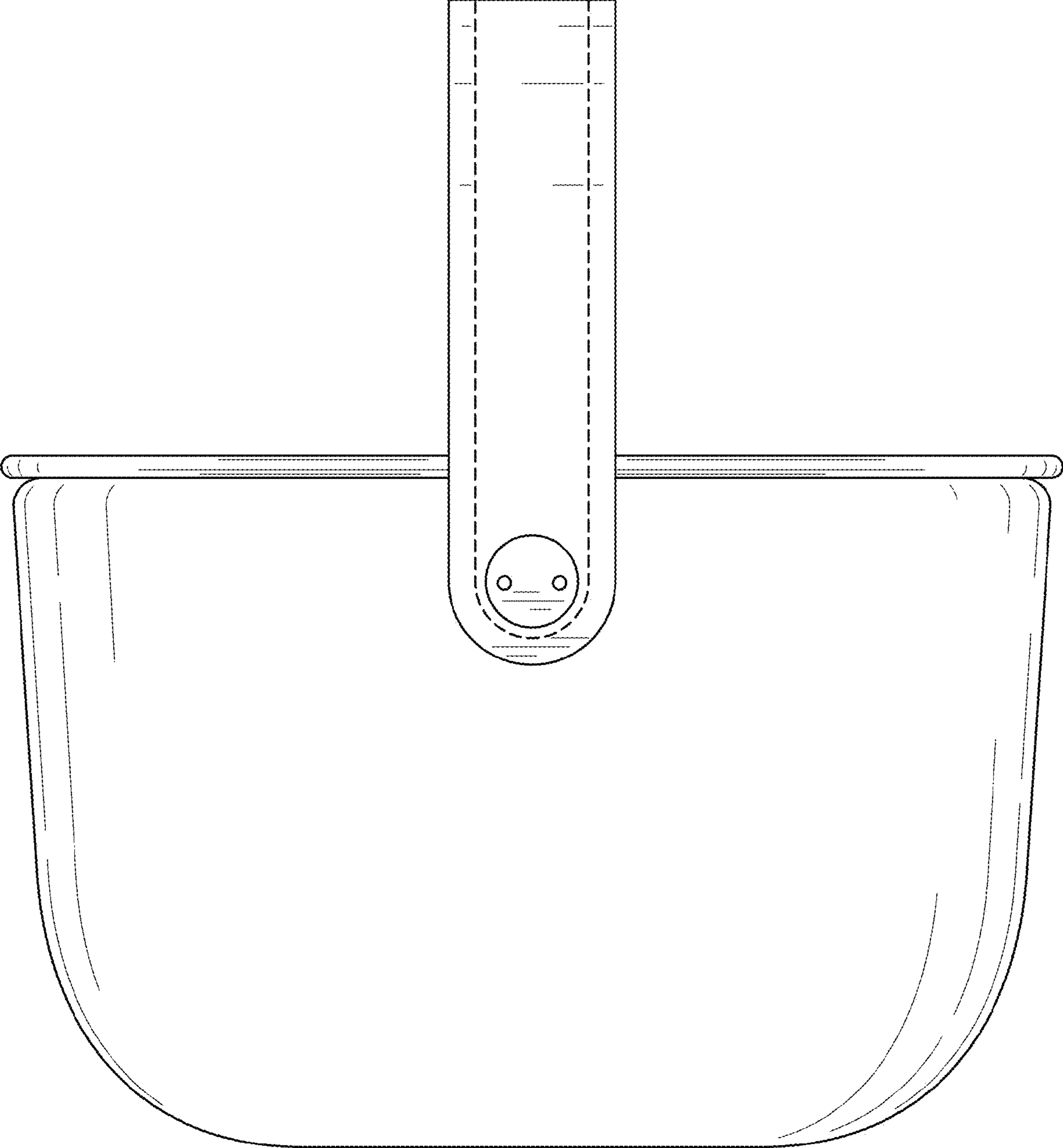


FIG. 3

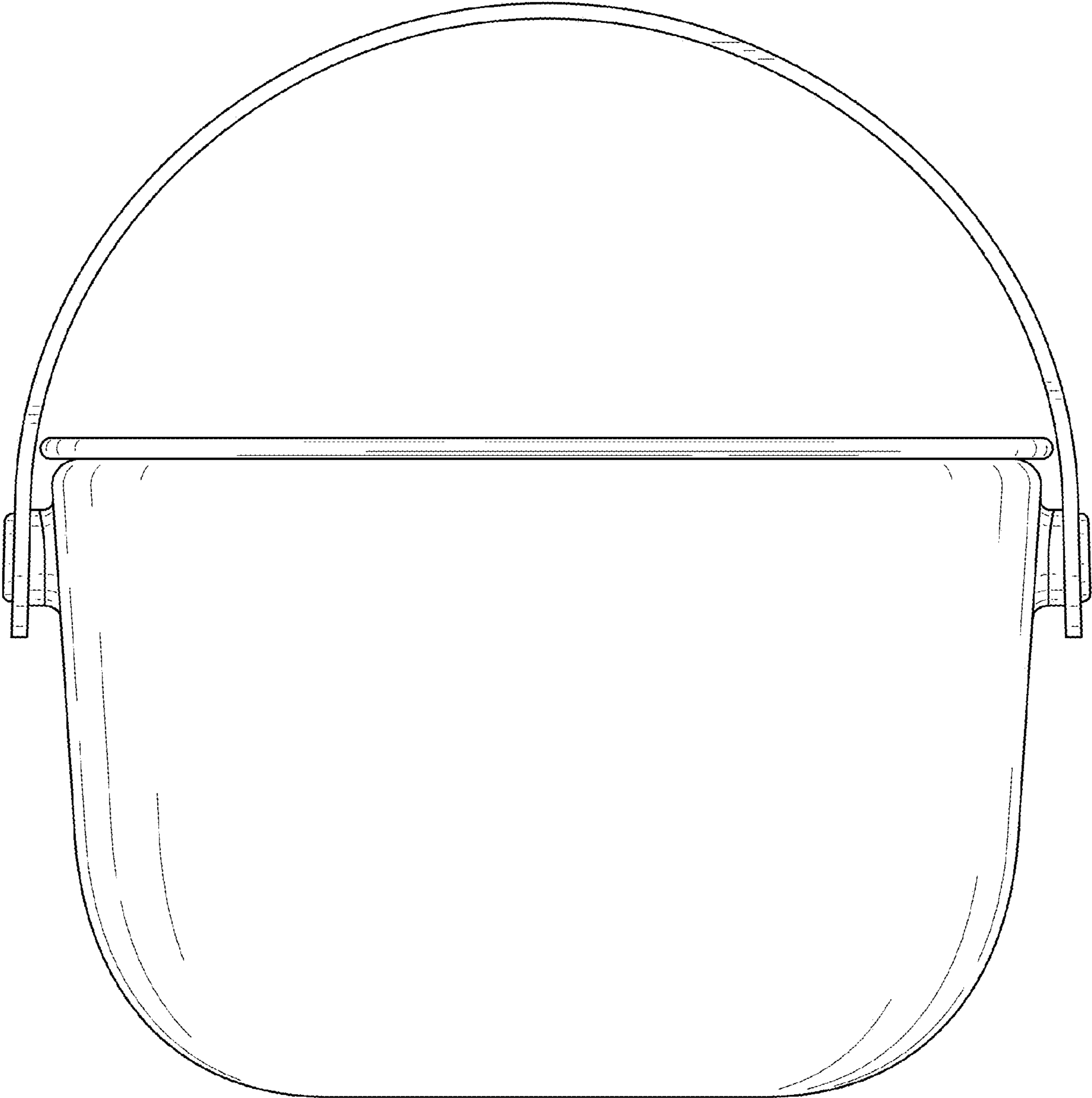


FIG. 4

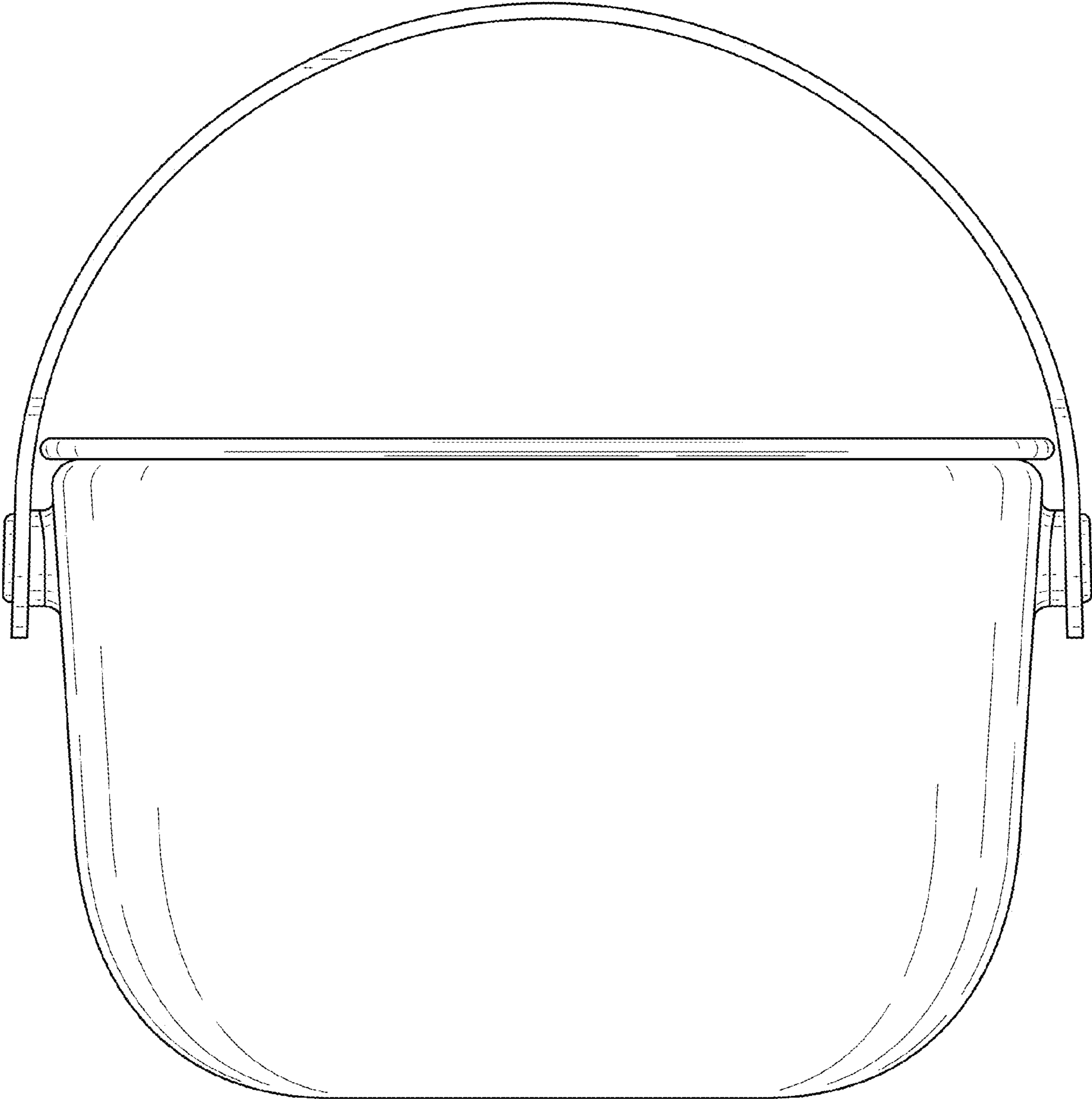


FIG. 5

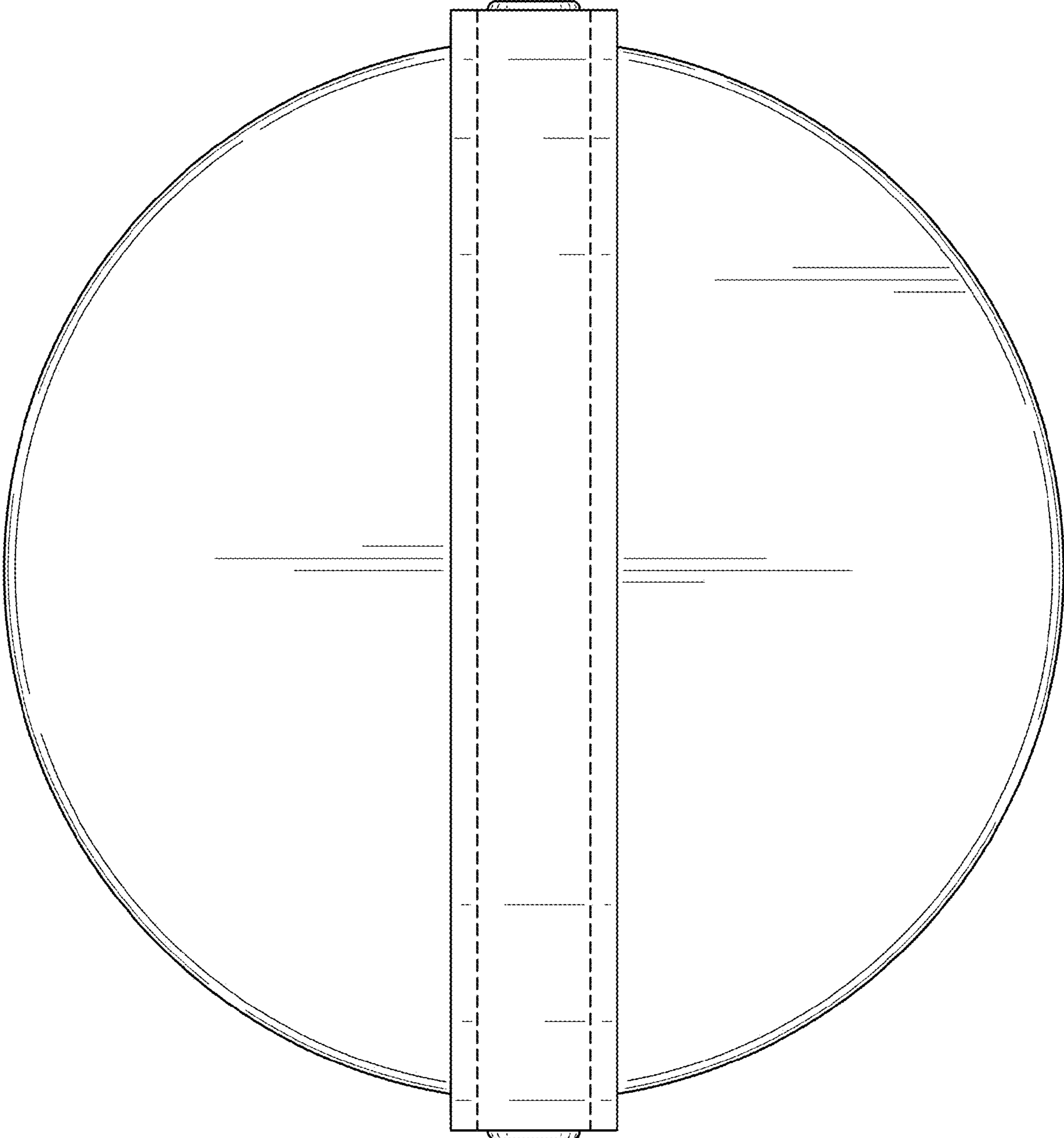


FIG. 6



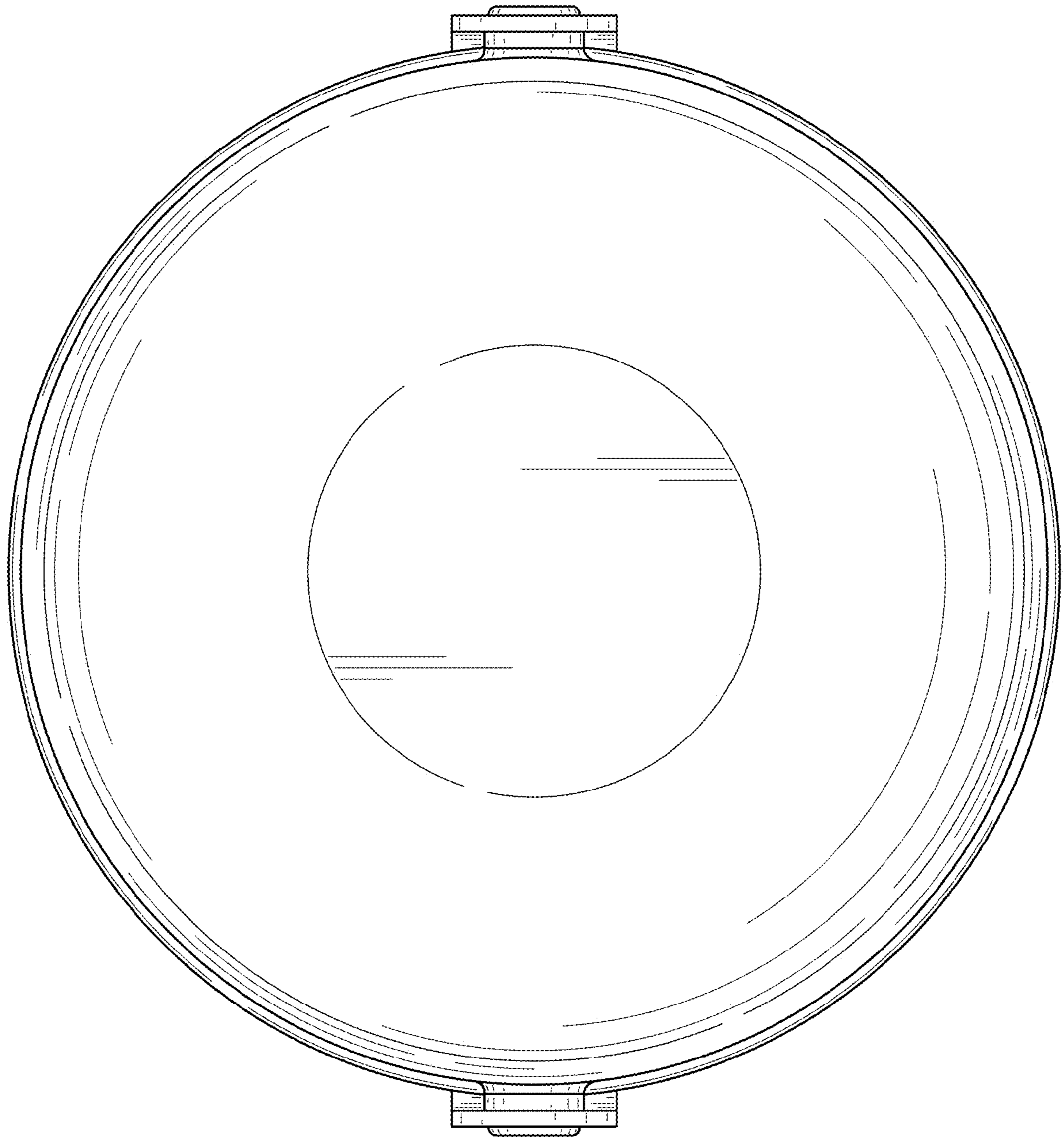


FIG. 7