



US00D922616S

(12) **United States Design Patent**
Rosan

(10) **Patent No.:** **US D922,616 S**
(45) **Date of Patent:** **** Jun. 15, 2021**

(54) **WALL FRAME CORNER COMPONENT**

(71) Applicant: **EverBlock Systems, LLC**, New York, NY (US)

(72) Inventor: **Arnon Rosan**, New York, NY (US)

(73) Assignee: **Versare Solutions, LLC**, Minneapolis, MN (US)

(**) Term: **15 Years**

(21) Appl. No.: **29/702,719**

(22) Filed: **Aug. 21, 2019**

(51) **LOC (13) Cl.** **25-01**

(52) **U.S. Cl.**
USPC **D25/61**

(58) **Field of Classification Search**
USPC D8/349, 354, 373, 382, 384;
D21/483-486, 489-491, 493, 494,
(Continued)

(56) **References Cited**

U.S. PATENT DOCUMENTS

1,633,193 A * 6/1927 Reagan E04B 2/14
52/100
1,649,367 A * 11/1927 Reagan E04B 2/14
52/100

(Continued)

FOREIGN PATENT DOCUMENTS

CN 306028647 * 9/2020
EM 006553699-0001 * 6/2019

(Continued)

OTHER PUBLICATIONS

Best-Rite Fabric Standard Modular Panel, 6"x5", Gray; Staples website, Dec. 7, 2018 (7 pages); https://www.staples.com/Best-Rite-Fabric-Standard-Modular-Panel-6x5-Gary/product_302619.

(Continued)

Primary Examiner — Leanne Was-Englehart

(74) *Attorney, Agent, or Firm* — Metz Lewis Brodman
Must O'Keefe LLC

(57) **CLAIM**

The ornamental design for a wall frame corner component, as shown and described.

DESCRIPTION

FIG. 1 is a top front perspective view of a first embodiment of a wall frame corner component showing my new design; FIG. 2 is a top back perspective of the wall frame corner component of FIG. 1; FIG. 3 is a bottom perspective view of the wall frame corner component of FIG. 1; FIG. 4 is a top plan view of the wall frame corner component of FIG. 1; FIG. 5 is a bottom plan view of the wall frame corner component of FIG. 1; FIG. 6 is a front elevation view of the wall frame corner component of FIG. 1; FIG. 7 is a right side elevation view of the wall frame corner component of FIG. 1; FIG. 8 is a back elevation view of the wall frame corner component of FIG. 1; FIG. 9 is a left side elevation view of the wall frame corner component of FIG. 1; FIG. 10 is a top front perspective view of a second embodiment of a wall frame corner component showing my new design; FIG. 11 is a top back perspective of the wall frame corner component of FIG. 10; FIG. 12 is a bottom perspective view of the wall frame corner component of FIG. 10; FIG. 13 is a top plan view of the wall frame corner component of FIG. 10; FIG. 14 is a bottom plan view of the wall frame corner component of FIG. 10; FIG. 15 is a front elevation view of the wall frame corner component of FIG. 10; FIG. 16 is a right side elevation view of the wall frame corner component of FIG. 10;

(Continued)

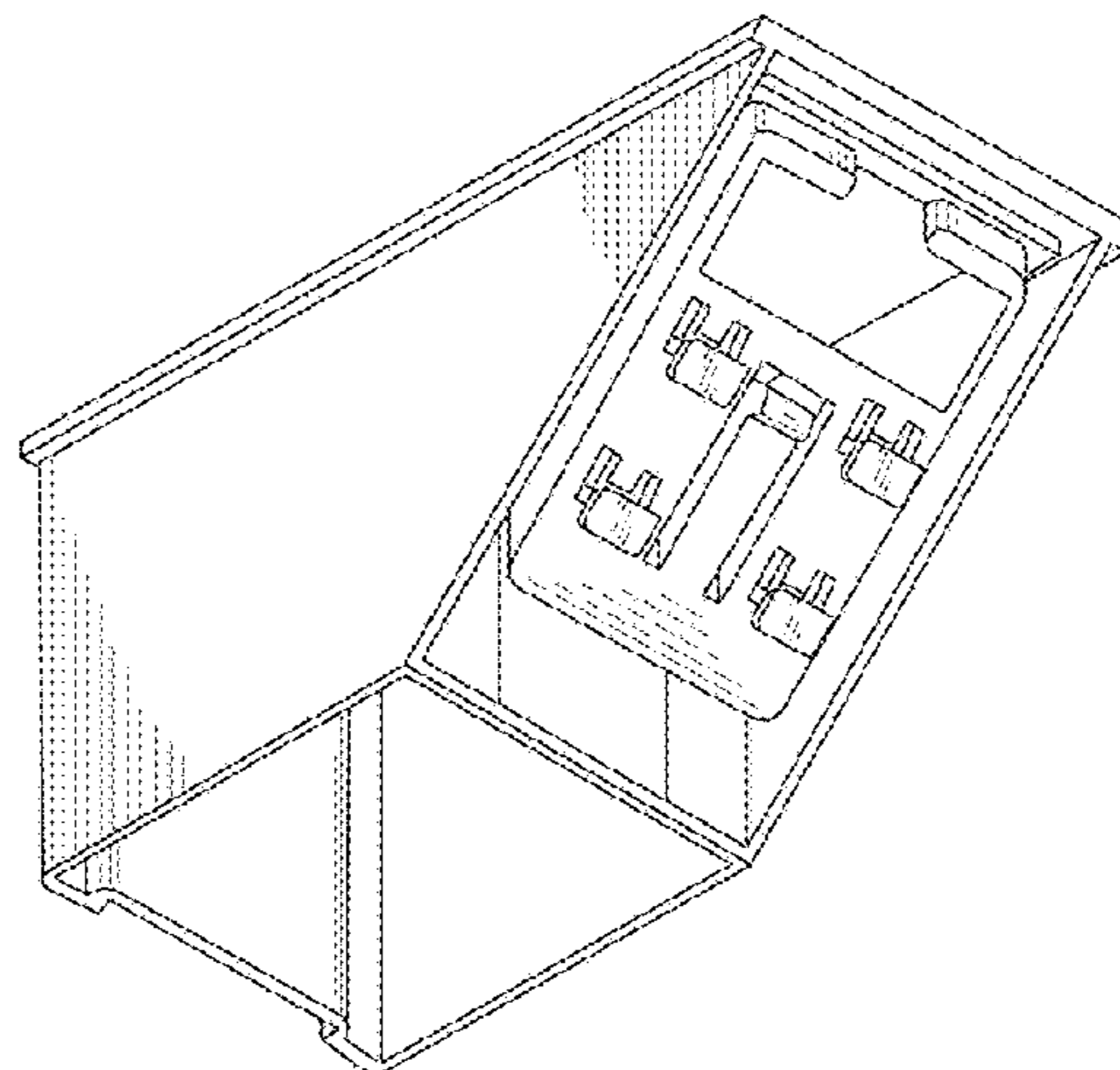
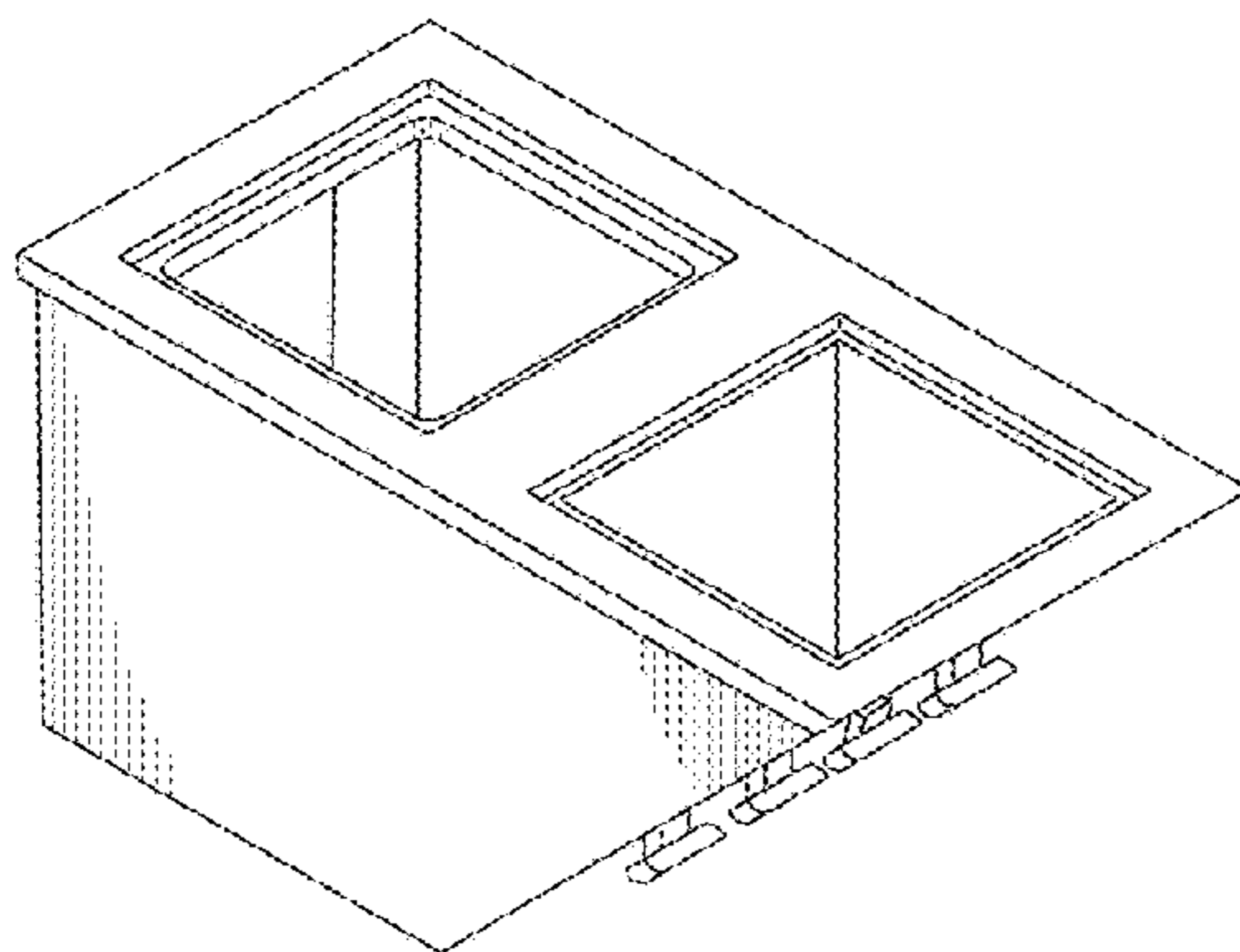


FIG. 17 is a back elevation view of the wall frame corner component of FIG. 10; and,
 FIG. 18 is a left side elevation view of the wall frame corner component of FIG. 10.

1 Claim, 7 Drawing Sheets

(58) Field of Classification Search

USPC D21/499–502, 504, 505; D25/60, 61,
 D25/113–115, 118, 133, 135, 136, 138,
 D25/152, 153, 156–158, 164, 199
 CPC E04B 2/06; E04B 2/14; E04B 2/16; E04B
 2/44; E04B 2002/0204; E04B 2002/0219;
 E04C 2/08; E04C 2/14; E04C 2/18; E04C
 2/205; E04C 2/22; E04C 1/395; E02D
 29/025; Y10S 52/02
 See application file for complete search history.

(56) References Cited

U.S. PATENT DOCUMENTS

2,019,653 A * 11/1935 Buyer E04B 2/16
 52/592.5
 2,131,803 A 10/1938 Henderson
 D198,527 S 6/1964 Long
 D258,344 S * 2/1981 Hornung D8/354
 D261,047 S 9/1981 Long
 5,651,697 A 7/1997 Cinquegrani et al.
 5,702,208 A * 12/1997 Hilfiker E02D 17/205
 404/40
 D429,822 S * 8/2000 Jensen D25/118
 D464,441 S 10/2002 Luaces
 6,477,814 B1 11/2002 Kadosh
 D664,025 S * 7/2012 Horn D8/354
 D674,916 S * 1/2013 Cetindag D25/61

D677,800 S 3/2013 Cetindag
 D686,676 S 7/2013 Telford
 9,187,895 B2 * 11/2015 Rodriguez Carassus
 E04B 2/18
 D769,986 S 10/2016 Ting
 D783,731 S 4/2017 Rosan
 D786,586 S 5/2017 Rosan
 D791,885 S 7/2017 Rosan
 D800,846 S 10/2017 Rosan
 D809,162 S 1/2018 Rosan
 10,196,826 B1 2/2019 Rosan
 D846,657 S 4/2019 Molgaard
 D893,757 S * 8/2020 Rosan D25/61
 2008/0216436 A1 * 9/2008 Rodriguez Carassus
 E04B 2/06
 52/588.1
 2011/0225909 A1 * 9/2011 Rodriguez Carassus
 E04B 2/44
 52/261
 2015/0107176 A1 * 4/2015 Cetindag E04C 5/01
 52/309.16
 2015/0159371 A1 * 6/2015 Rodriguez Carassus
 E04B 2/06
 52/204.2

FOREIGN PATENT DOCUMENTS

EM 006553699-0002 6/2019
 EM 006553699-0003 6/2019
 KR 300564107.0002 10/2010
 WO D099938-006 8/2018

OTHER PUBLICATIONS

United States Patent and Trademark Office; Office Action; Office Action from U.S. Appl. No. 29/672,868; pp. 1-33; publisher United States Patent and Trademark Office; published Alexandria, Virginia, USA; copyright and dated Jan. 17, 2020; copy enclosed (33 pages).

* cited by examiner

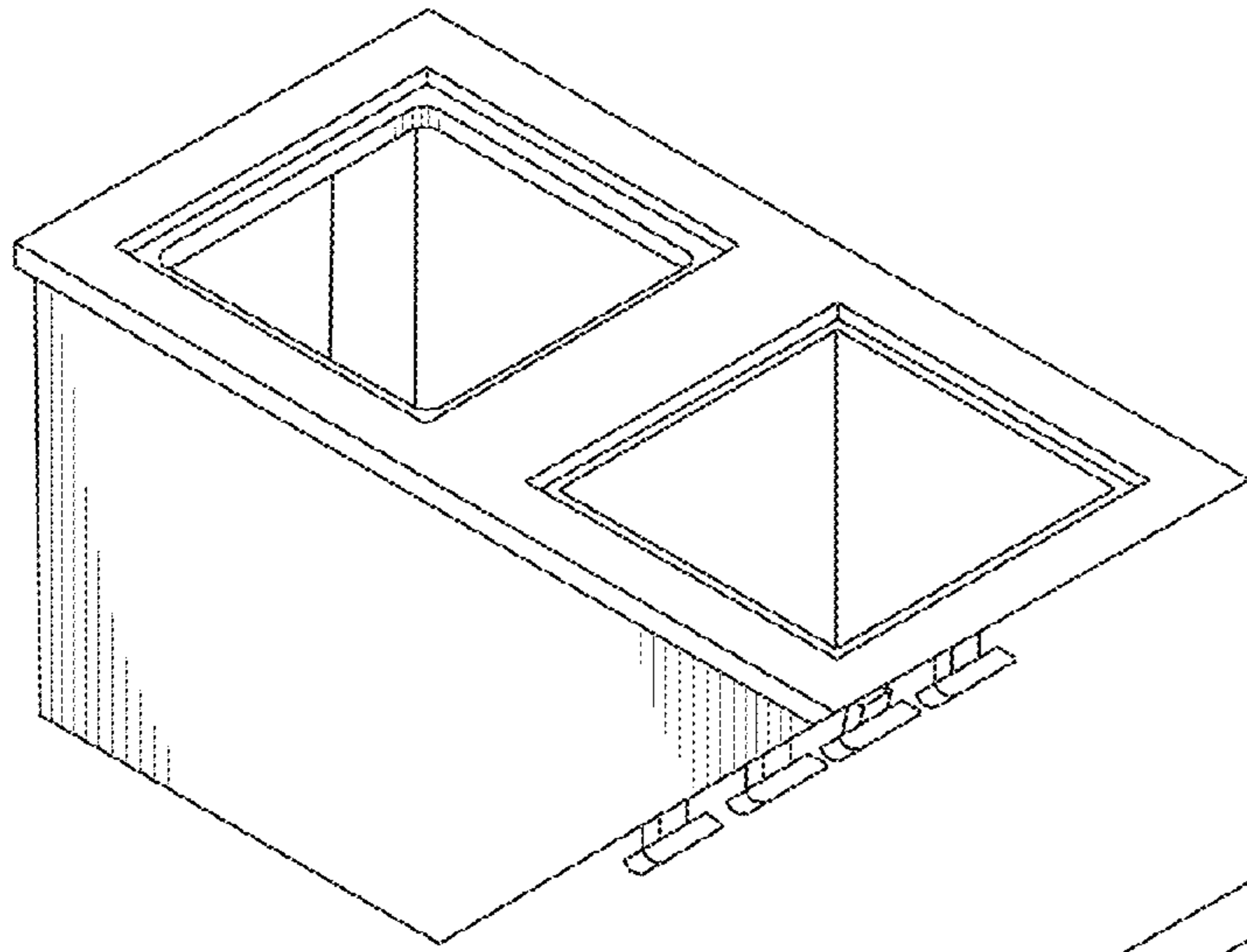


FIG. 1

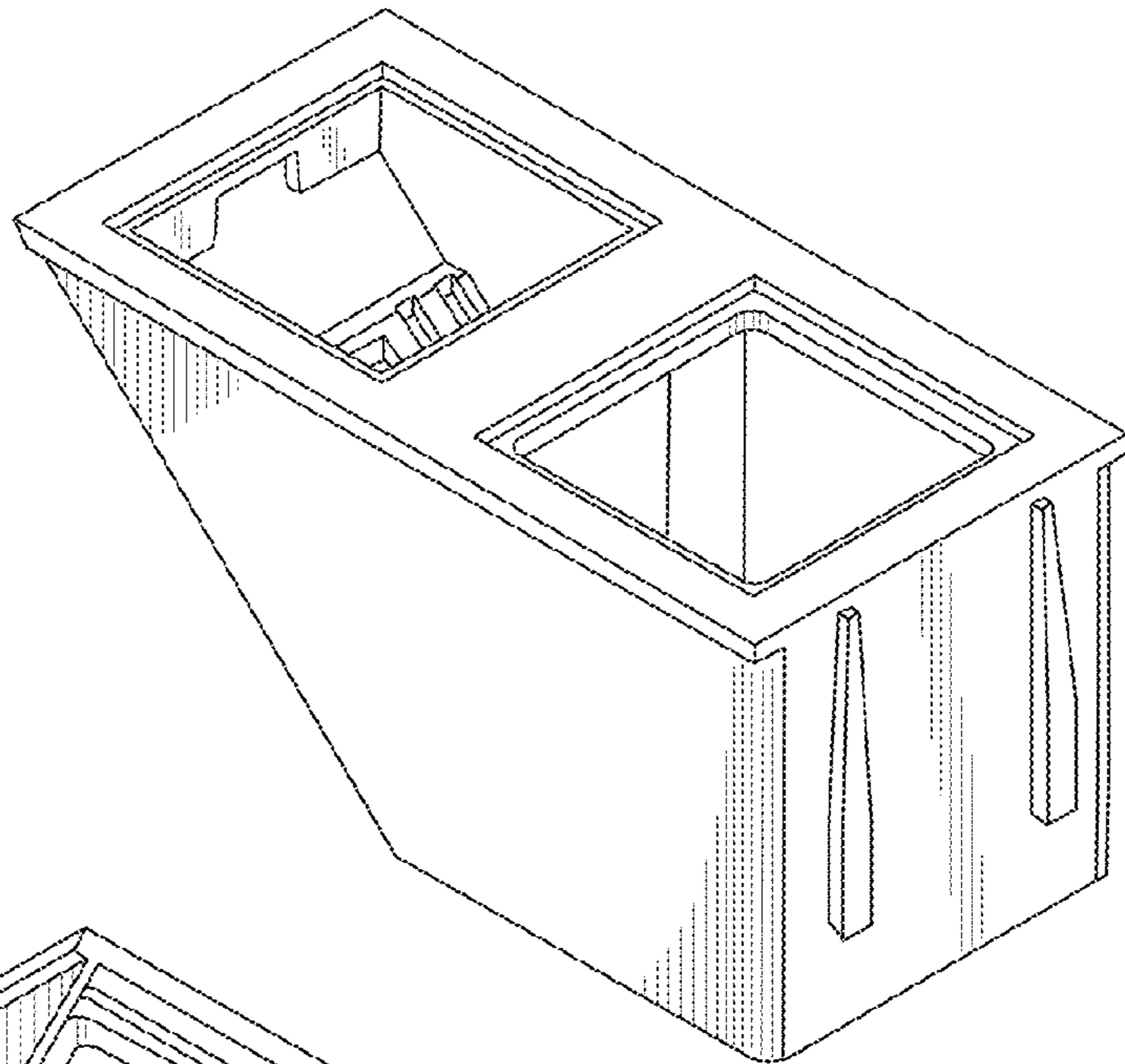


FIG. 2

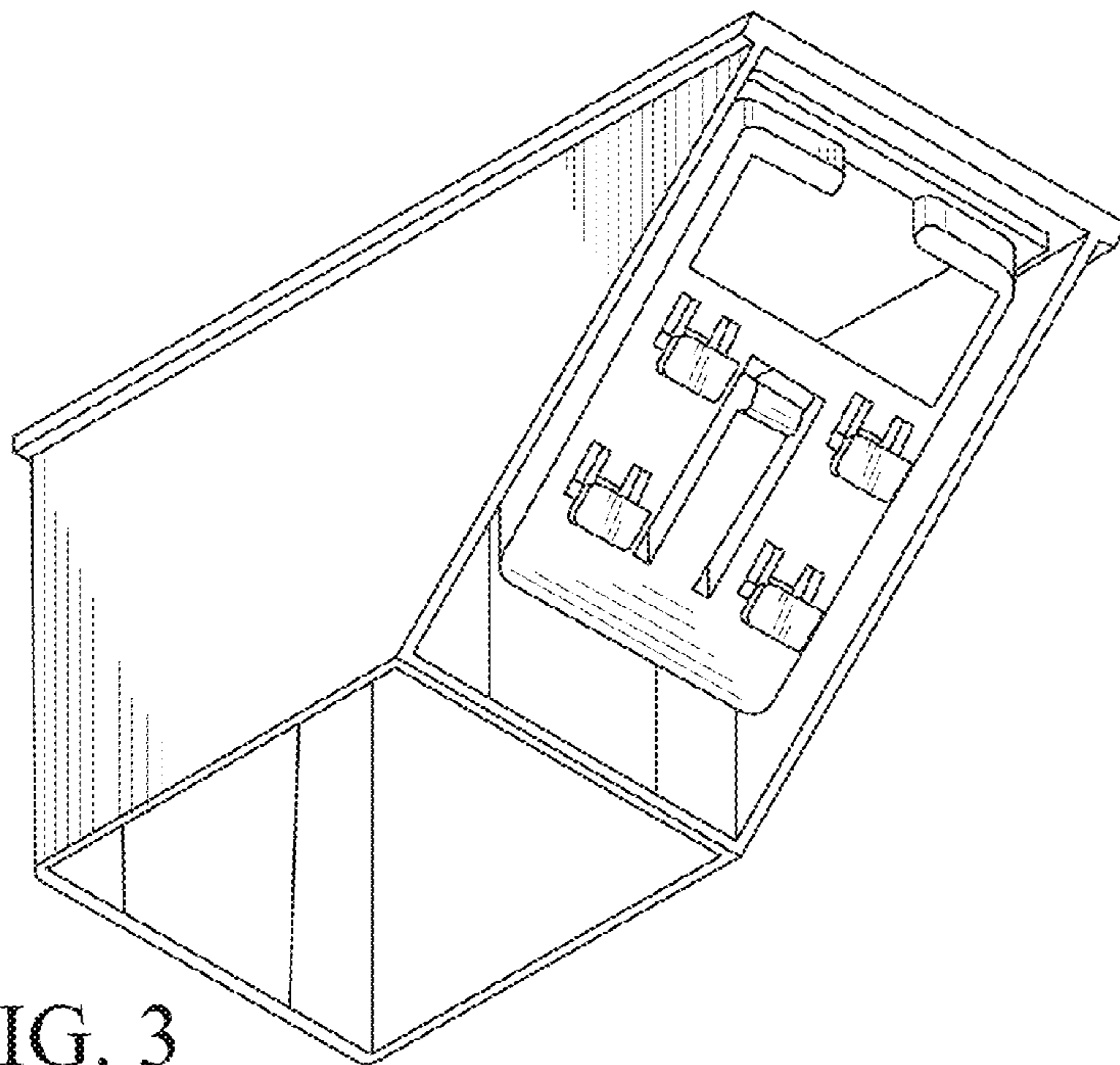


FIG. 3

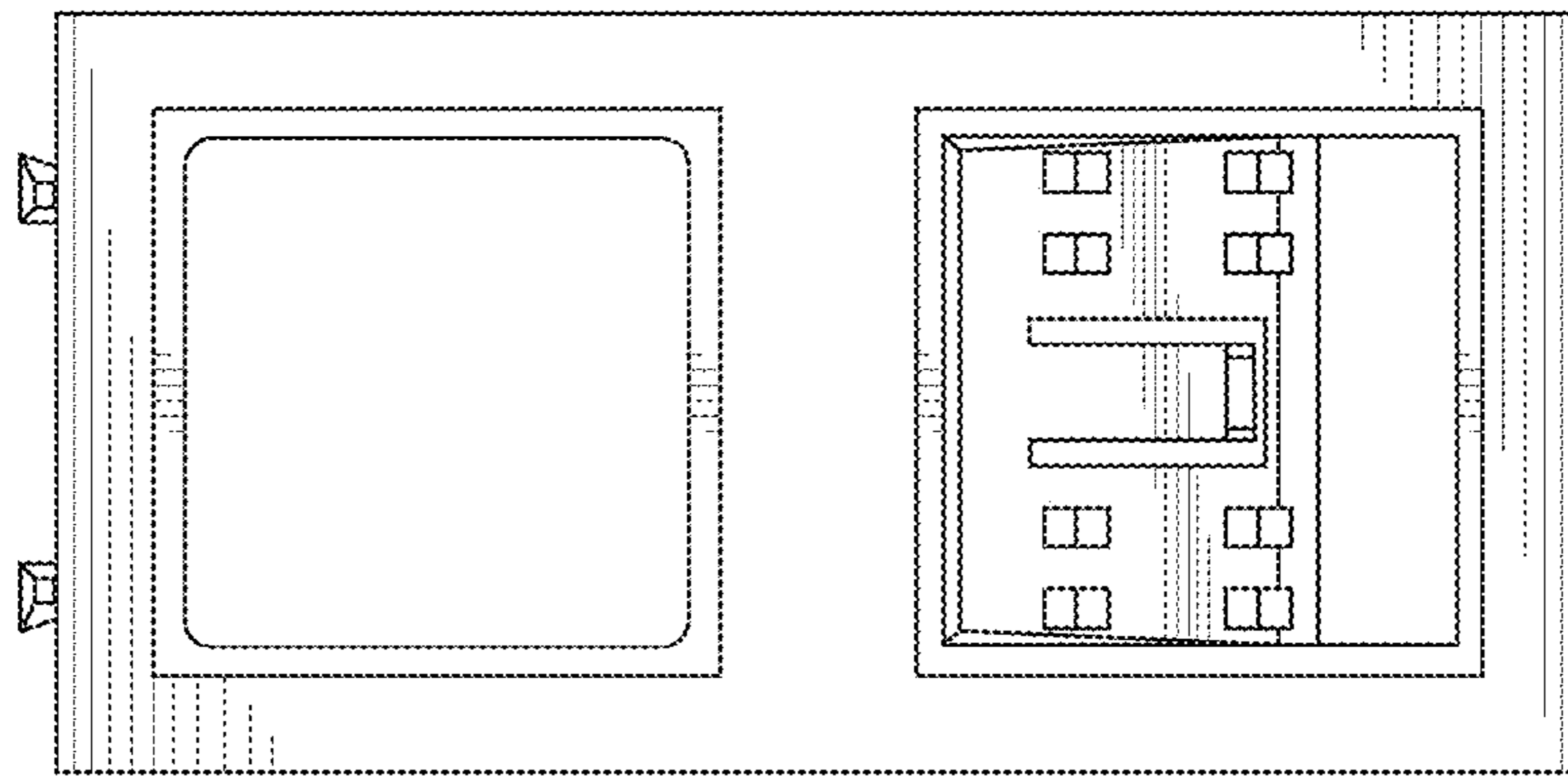


FIG. 4

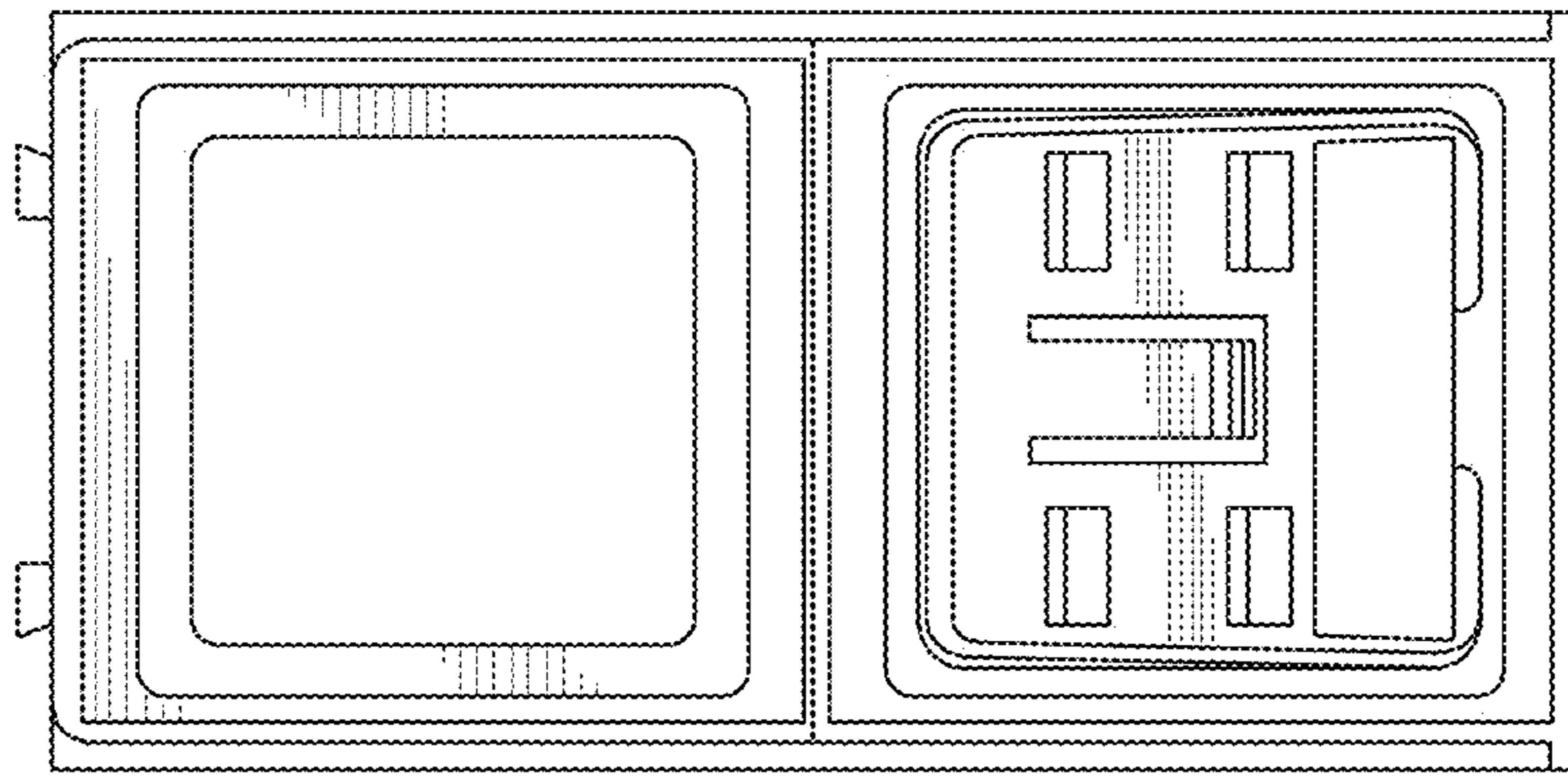


FIG. 5

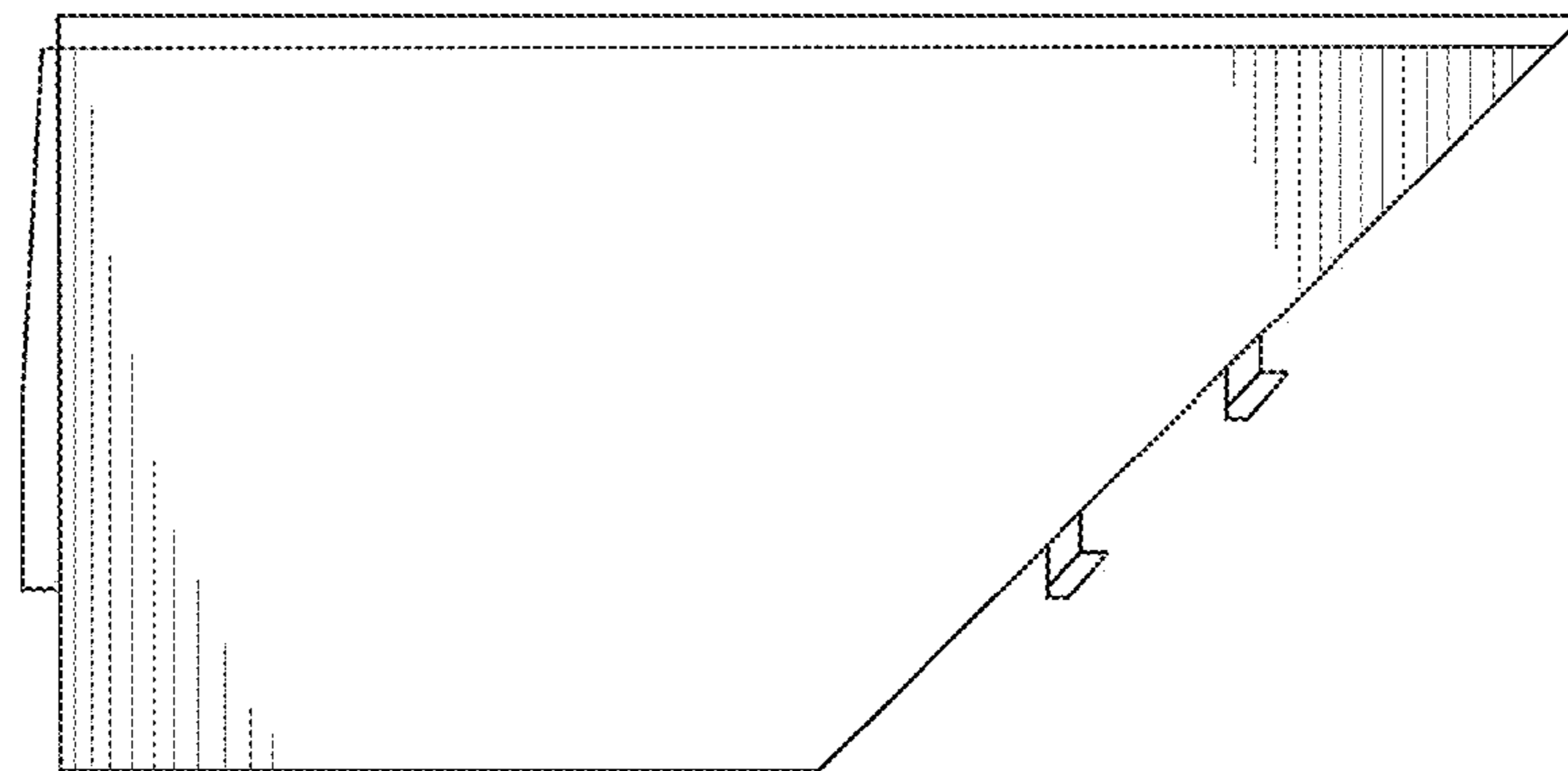


FIG. 6

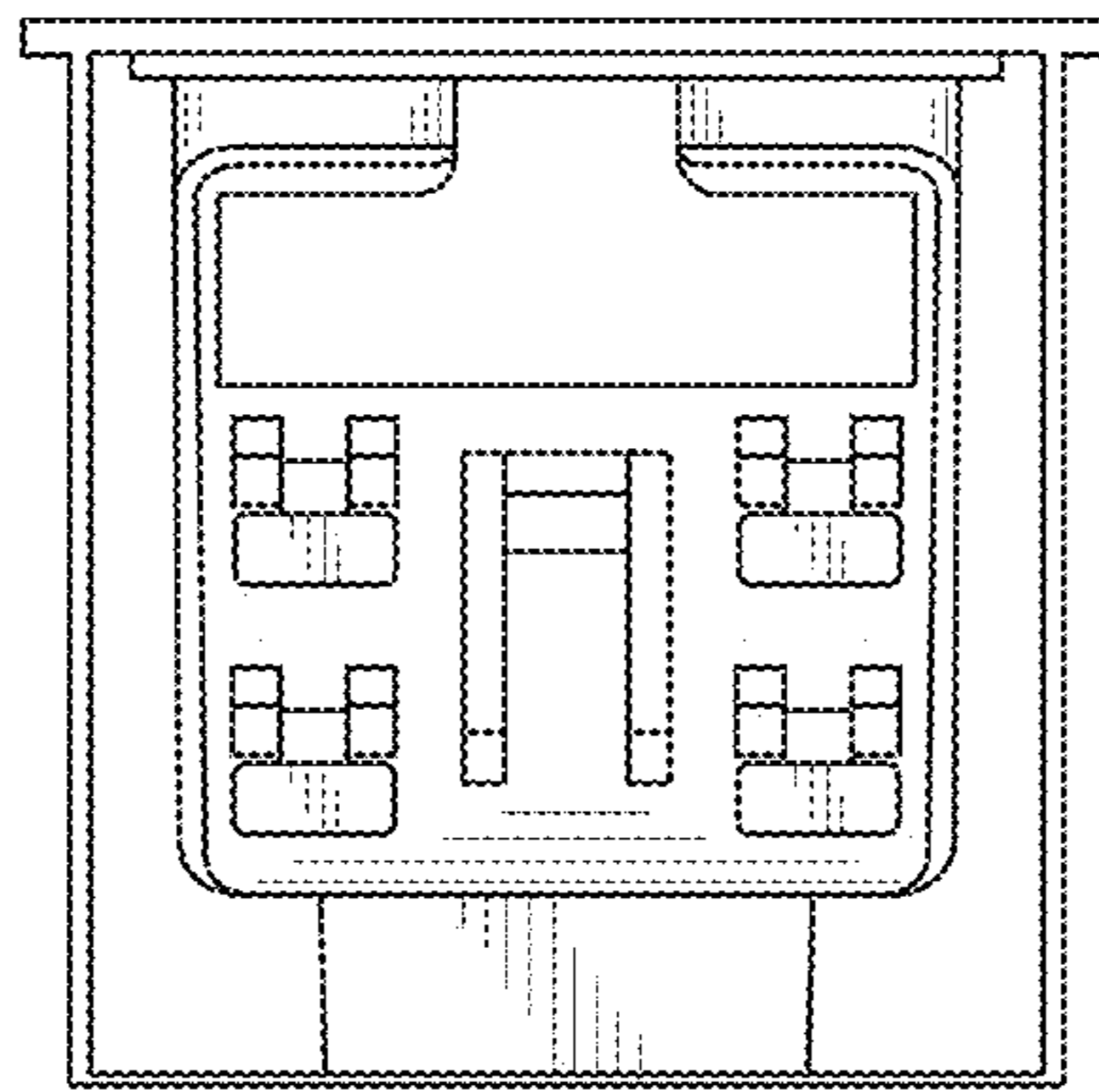


FIG. 7

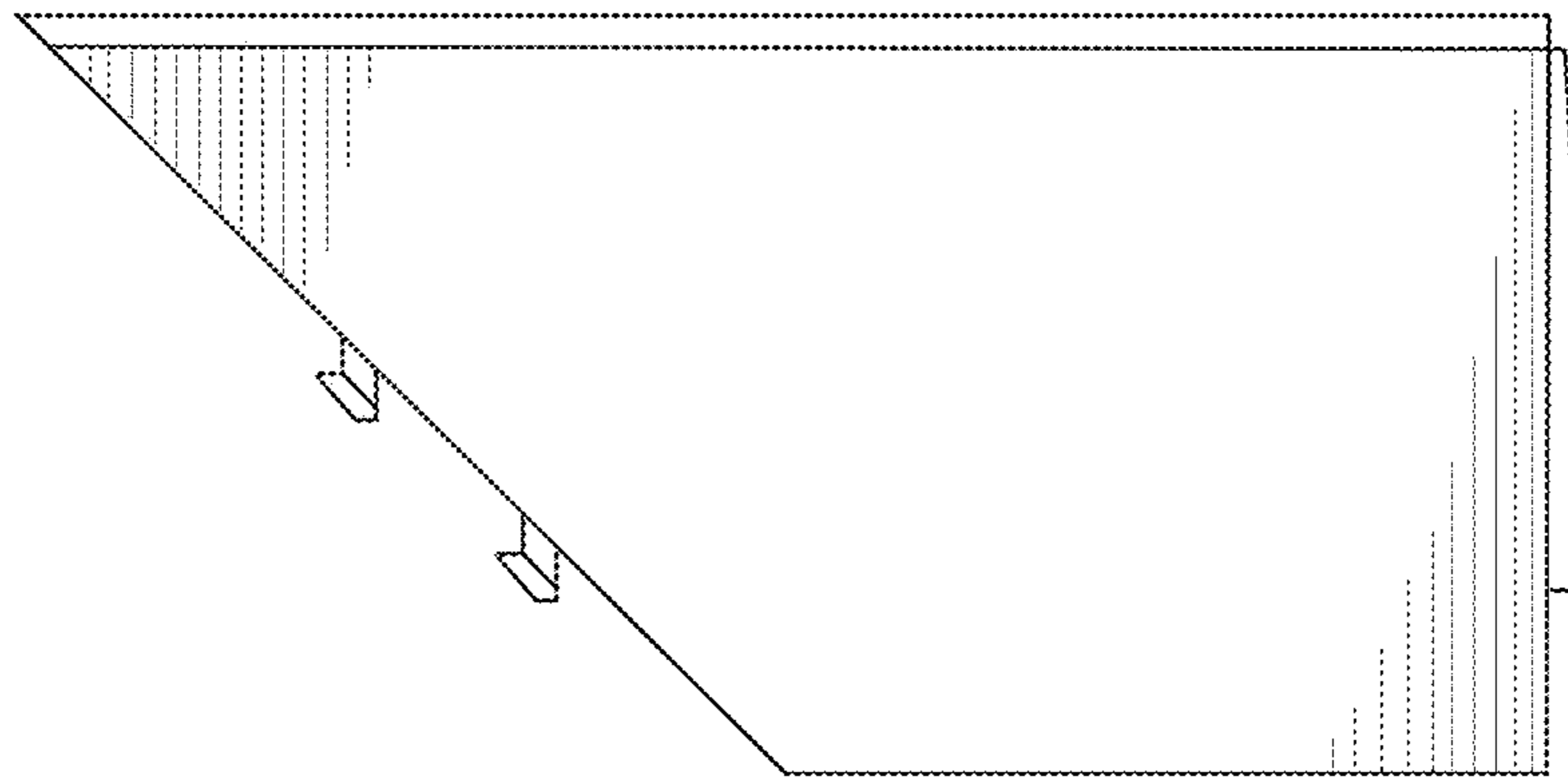


FIG. 8

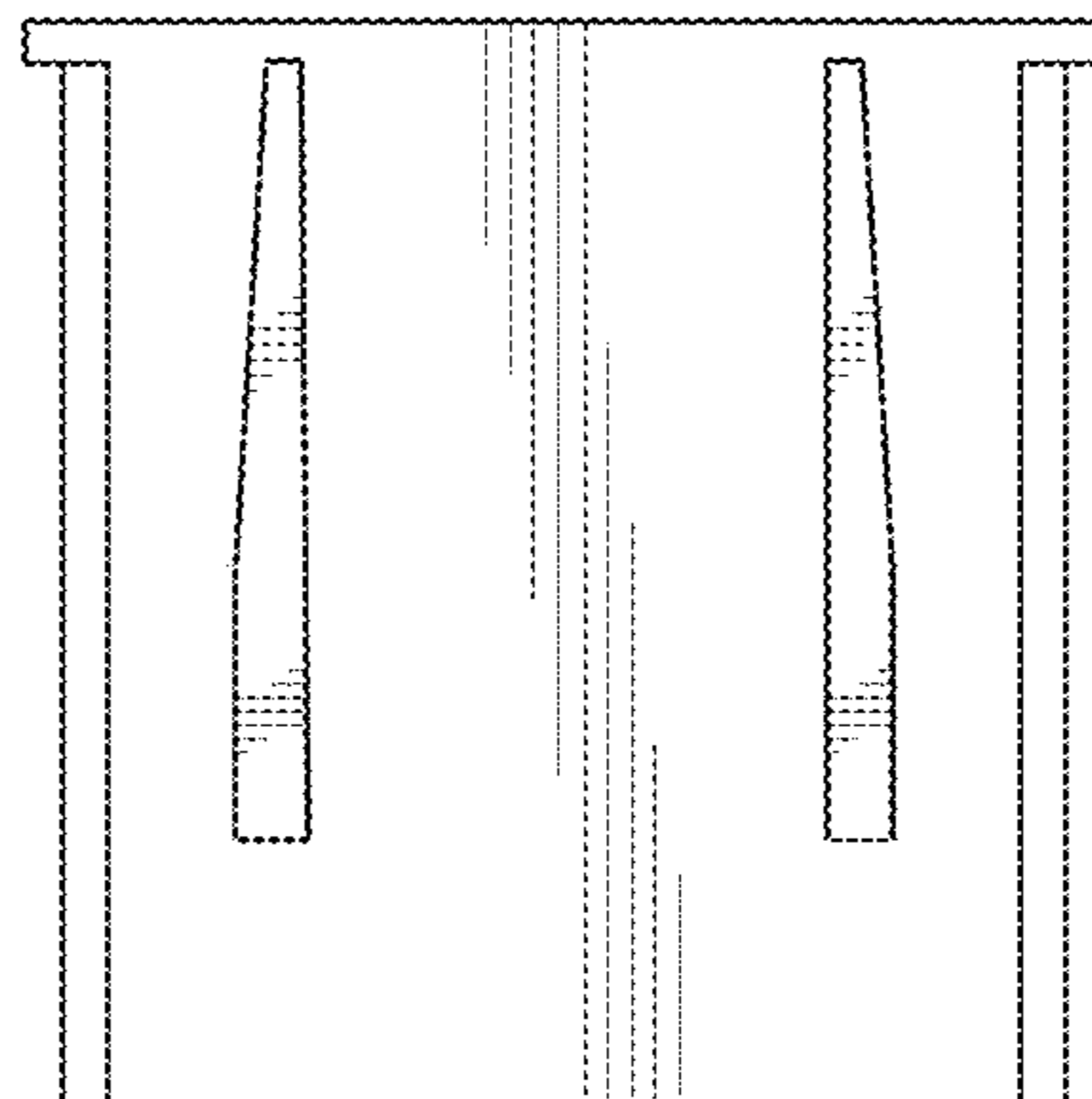


FIG. 9

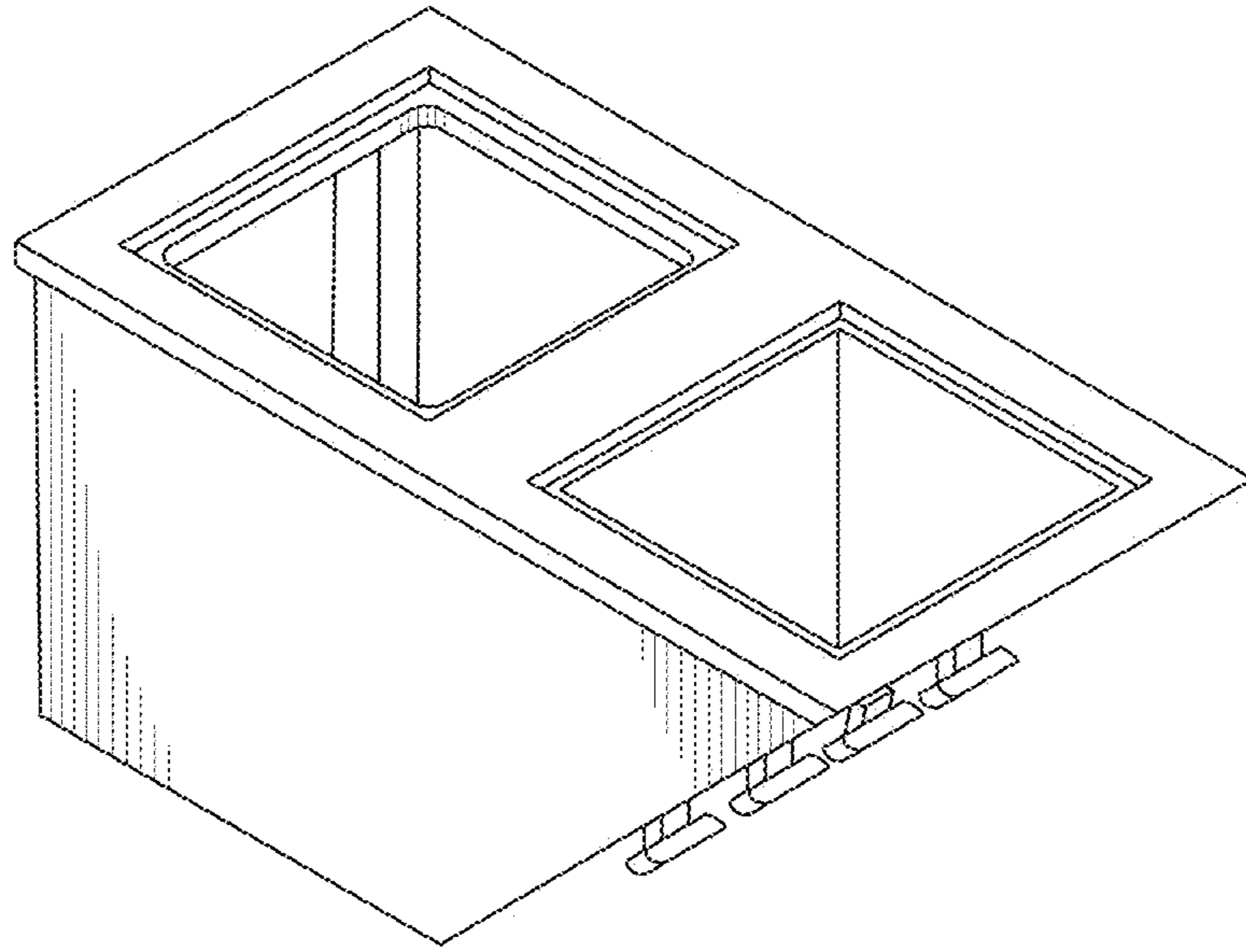


FIG. 10

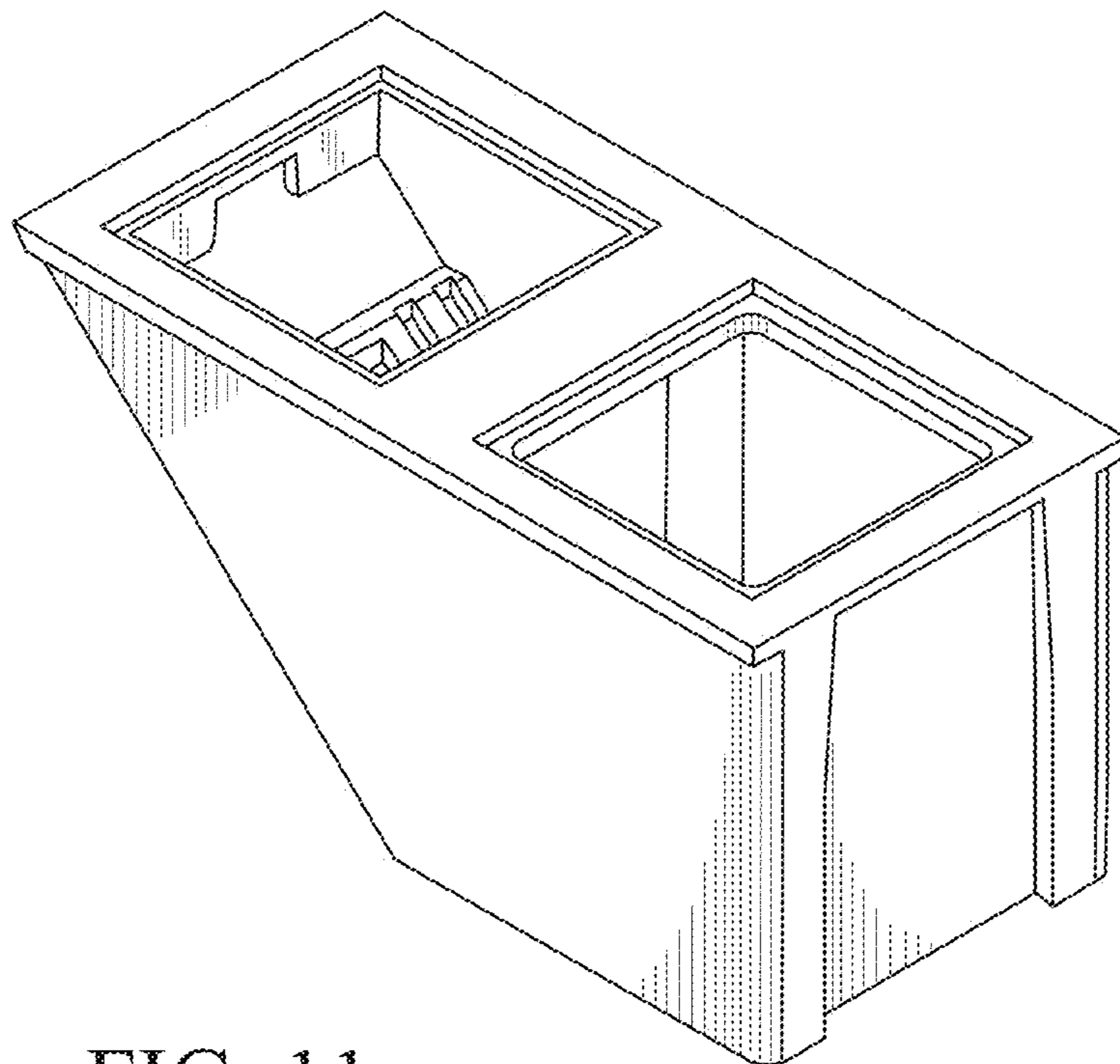


FIG. 11

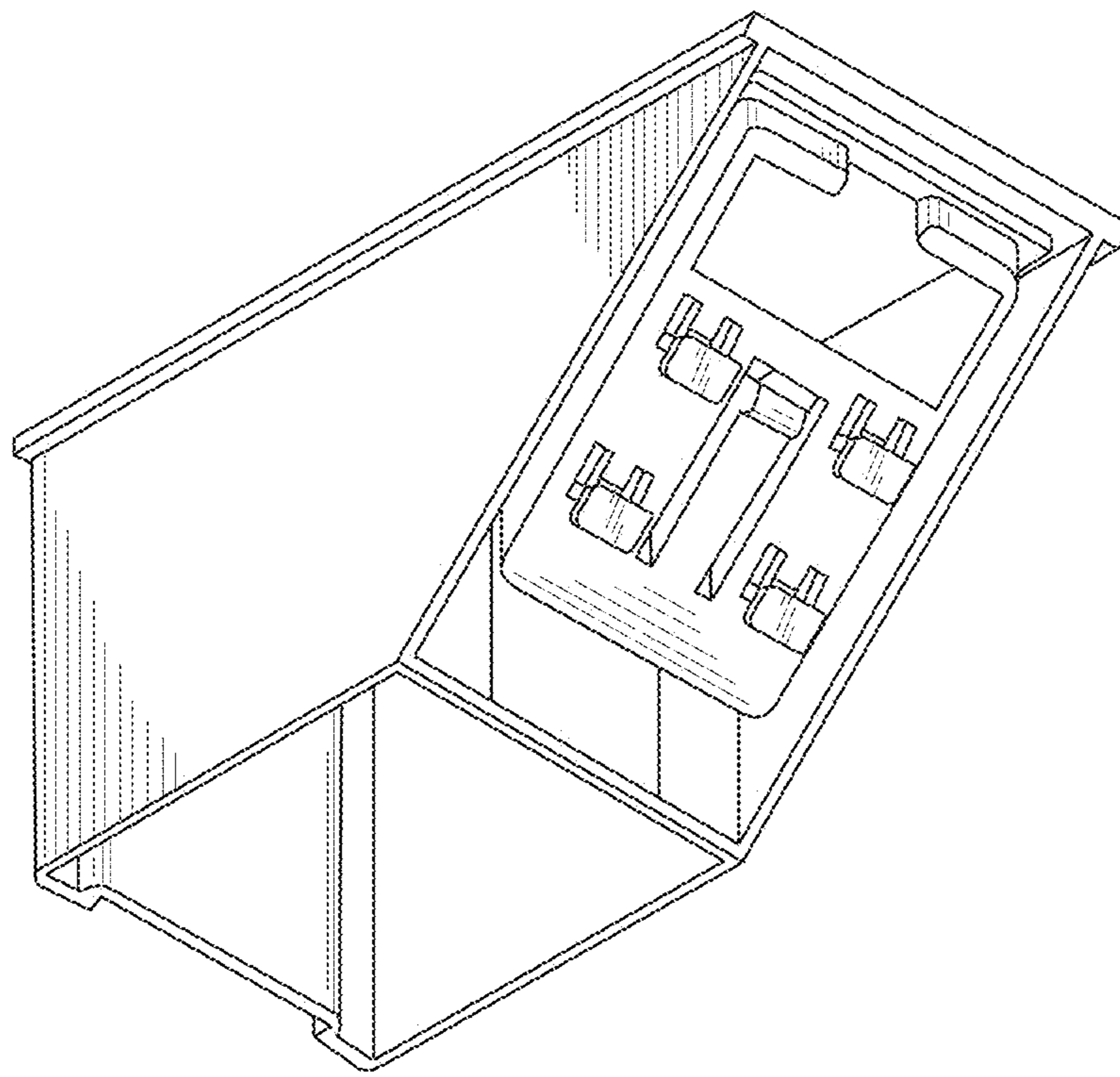


FIG. 12

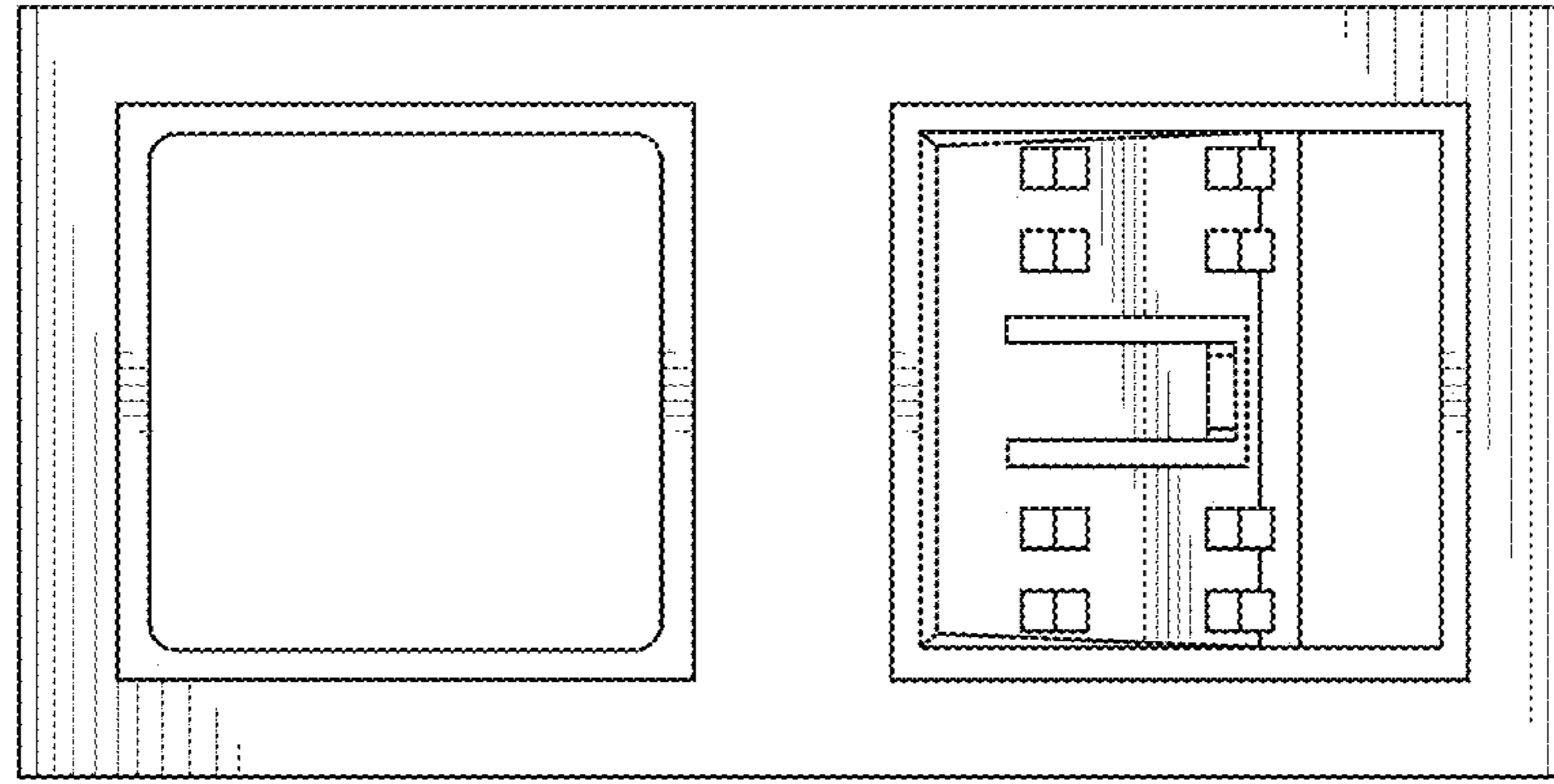


FIG. 13

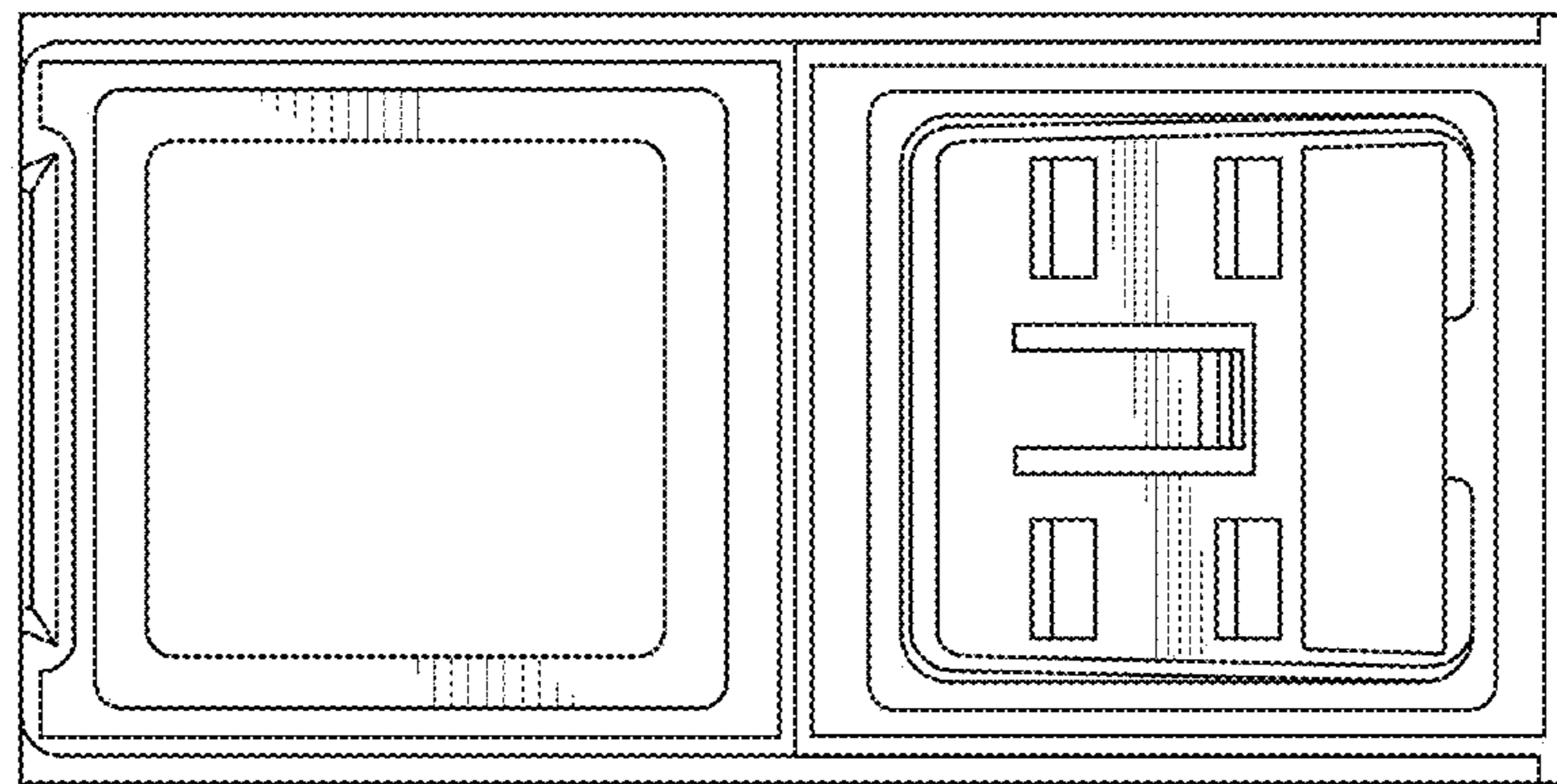


FIG. 14

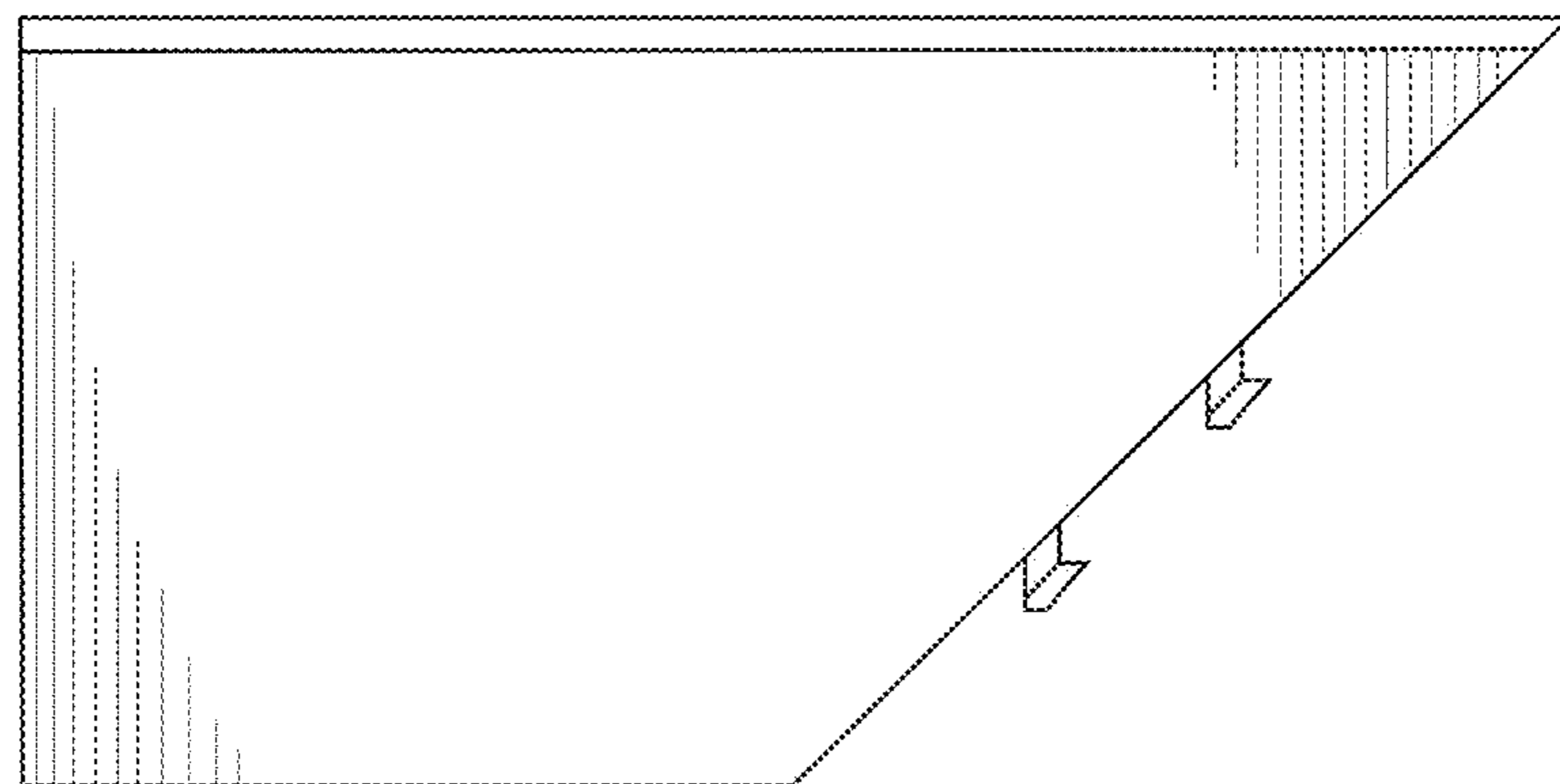


FIG. 15

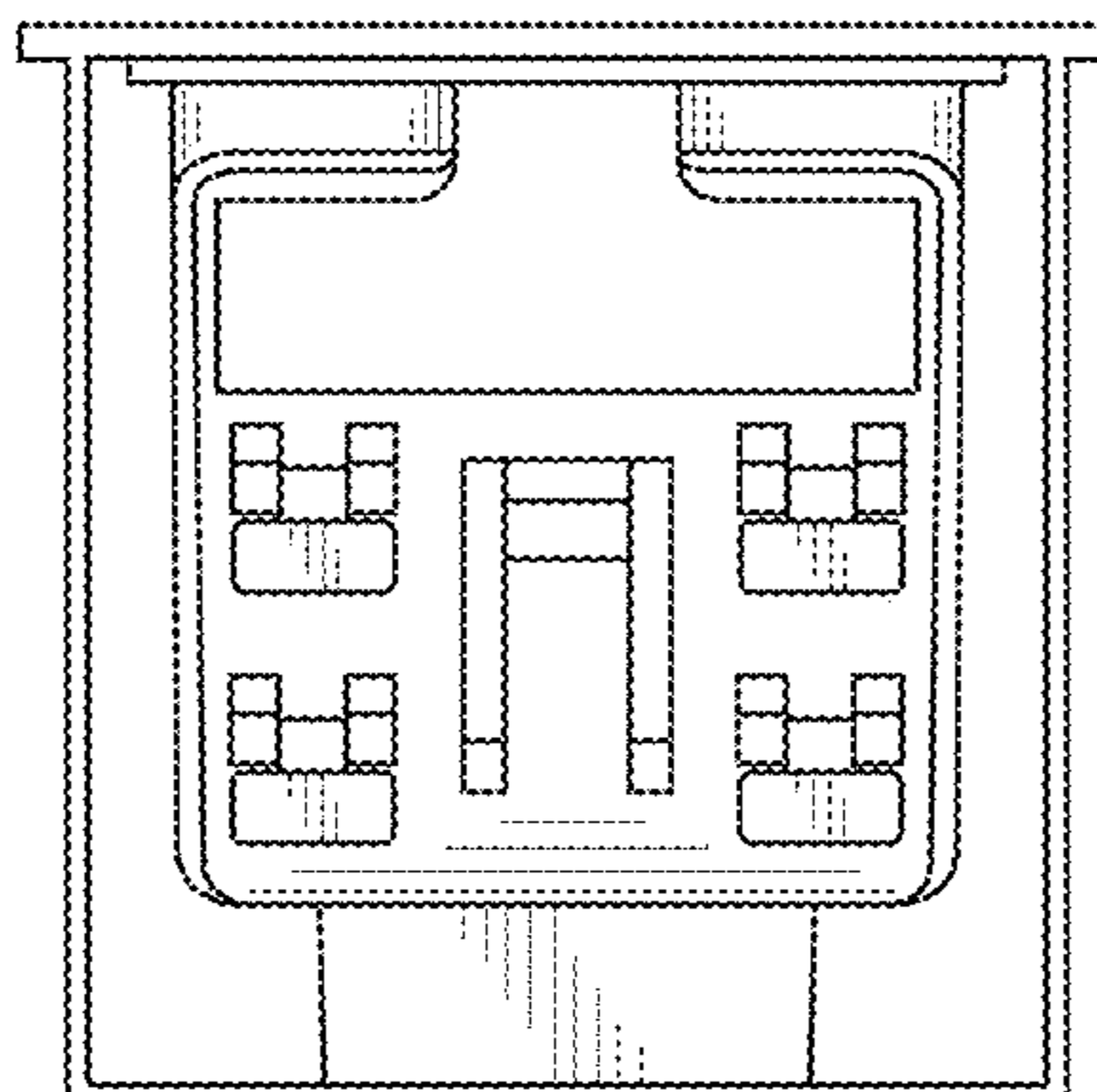


FIG. 16

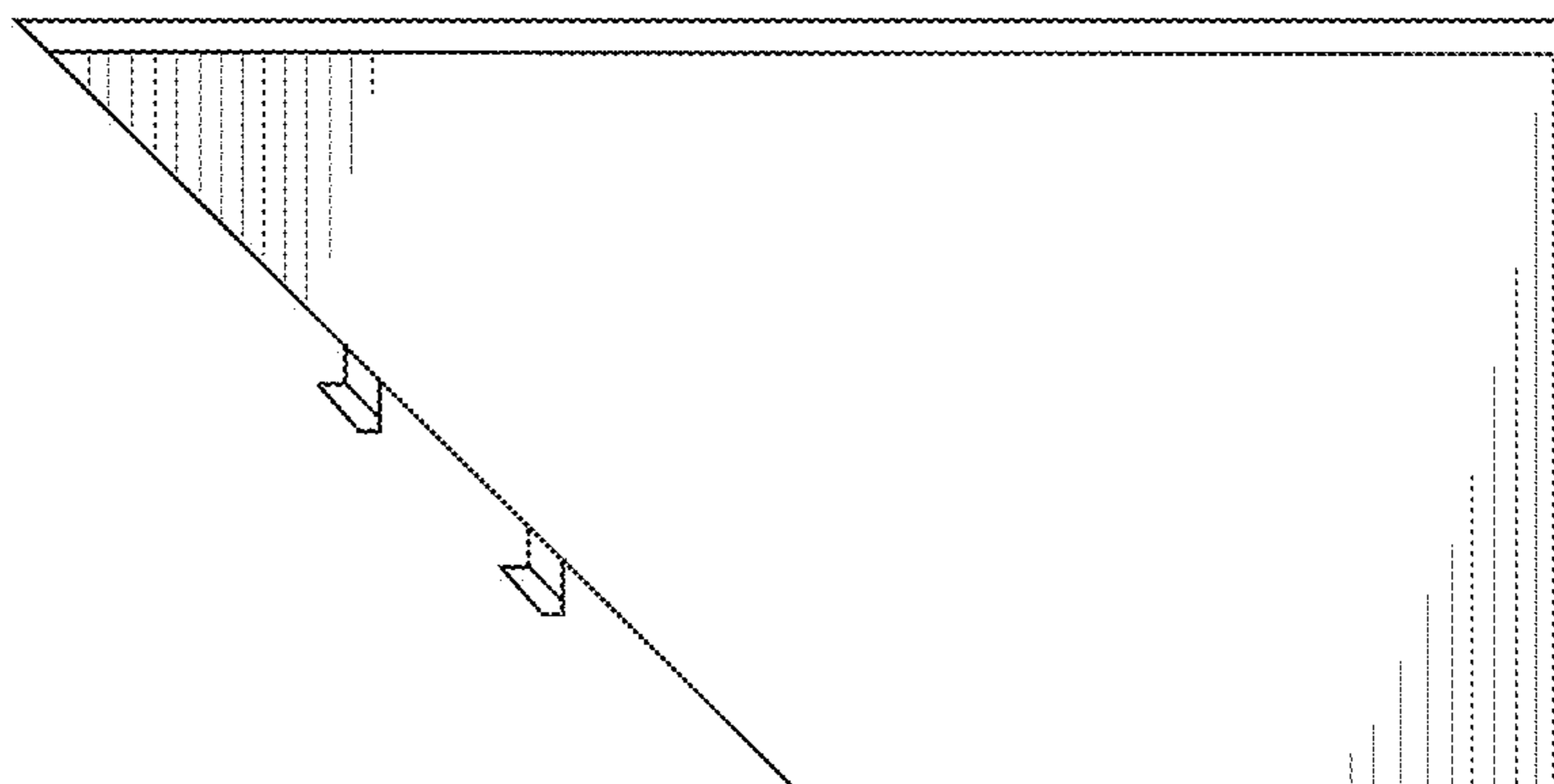


FIG. 17

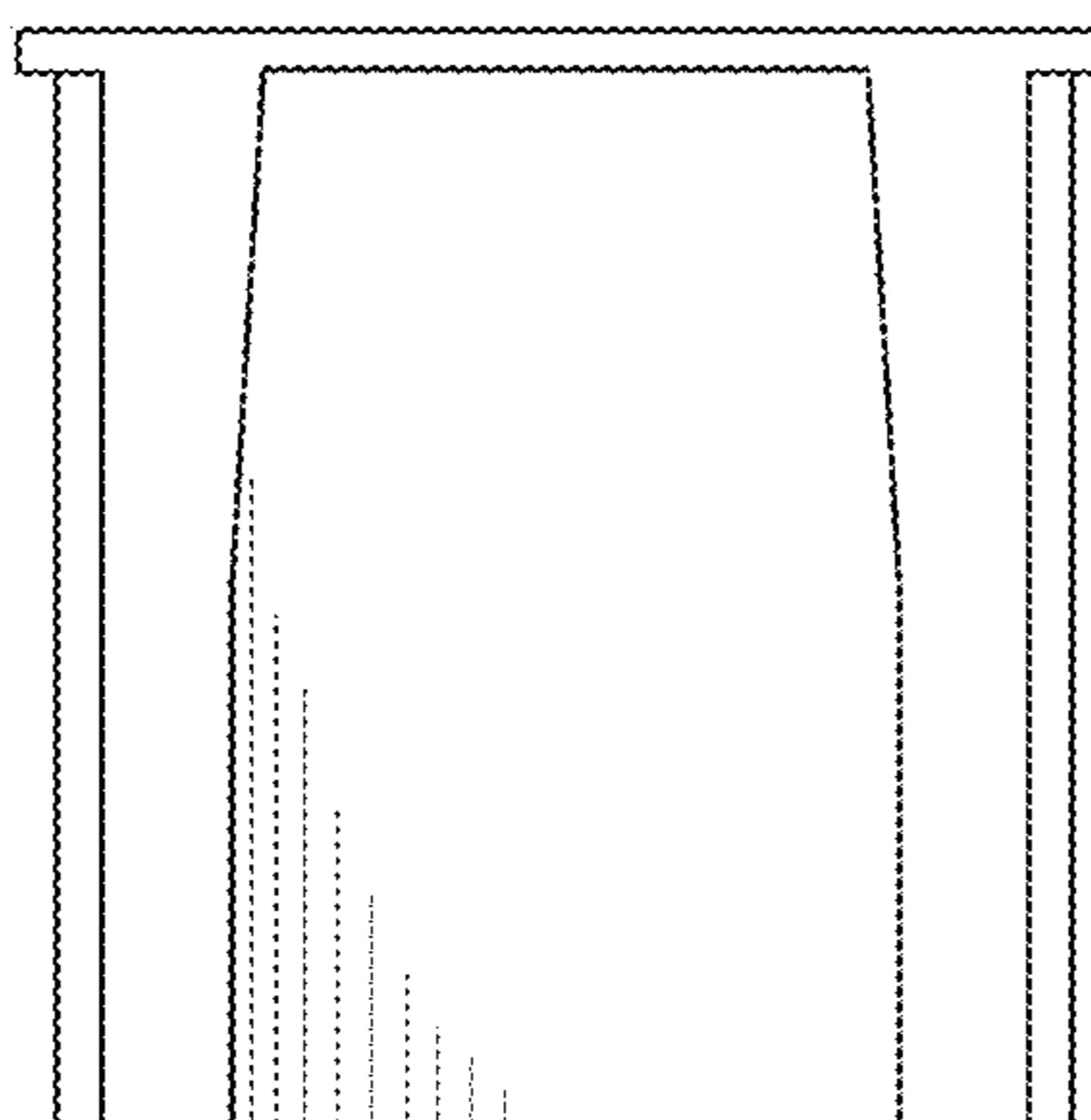


FIG. 18