



US00D922613S

(12) **United States Design Patent** (10) **Patent No.:** **US D922,613 S**
Pucci et al. (45) **Date of Patent:** **** Jun. 15, 2021**

- (54) **COMMUNICATIONS BOOTH**
- (71) Applicant: **Cubicall LLC**, North Las Vegas, NV (US)
- (72) Inventors: **Anthony Michael Pucci**, Las Vegas, NV (US); **Nicholas Alan Pucci**, Las Vegas, NV (US)
- (73) Assignee: **Cubicall LLC**, North Las Vegas, NV (US)

| | | | | |
|-----------|-----|---------|-----------------|--------|
| 3,236,013 | A | 2/1966 | Sherron | |
| 3,621,934 | A | 11/1971 | Thrasher et al. | |
| 4,161,087 | A | 7/1979 | Levesque | |
| 4,631,894 | A | 12/1986 | Jerila | |
| 5,393,964 | A | 2/1995 | Hamilton et al. | |
| 5,778,607 | A | 7/1998 | Edwards | |
| 6,205,716 | B1 | 3/2001 | Peltz | |
| 8,996,392 | B2 | 3/2015 | Cashman et al. | |
| D732,692 | S * | 6/2015 | Hallfors | D25/16 |
| D844,811 | S * | 4/2019 | Zhu | D25/16 |
| D844,815 | S * | 4/2019 | Zhu | D25/16 |
| D844,816 | S * | 4/2019 | Zhu | D25/16 |
| D846,757 | S * | 4/2019 | Zhu | D25/16 |

(Continued)

(**) Term: **15 Years**

(21) Appl. No.: **29/714,600**

(22) Filed: **Nov. 25, 2019**

Related U.S. Application Data

(63) Continuation of application No. 15/922,915, filed on Mar. 16, 2018, now abandoned.

(51) **LOC (13) Cl.** **25-03**

(52) **U.S. Cl.**
USPC **D25/16**

(58) **Field of Classification Search**
USPC D25/1, 3, 4, 7-11, 16, 18-21, 31-35;
D12/101-105; D6/332, 337, 640-644;
D16/215; D24/209, 210
CPC E04H 1/00-1277; E04H 1/14; E04H
2001/1283-1294
See application file for complete search history.

(56) **References Cited**

U.S. PATENT DOCUMENTS

| | | | |
|-----------|---|--------|---------------|
| 2,581,251 | A | 1/1952 | Glazer et al. |
| 2,584,626 | A | 2/1952 | Sherron |
| 2,628,550 | A | 2/1953 | King |
| 2,678,705 | A | 5/1954 | Haines et al. |
| 3,031,040 | A | 4/1962 | Torbett |
| 3,102,184 | A | 8/1963 | Sherron |

FOREIGN PATENT DOCUMENTS

| | | | |
|----|----------------|---|---------|
| EM | 004562163-0014 | * | 1/2018 |
| WO | D098381-001 | * | 11/2017 |

Primary Examiner — Brett Miller

(74) *Attorney, Agent, or Firm* — Wolf, Greenfield & Sacks, P.C.

(57) **CLAIM**

The ornamental design for a communications booth, as shown and described.

DESCRIPTION

FIG. 1 is a top, right perspective view of the communications booth with the front doors removed to better illustrate interior portions;

FIG. 2 is a top, left perspective view of the communications booth with the front doors removed;

FIG. 3 is a front view of the communications booth with the front doors removed;

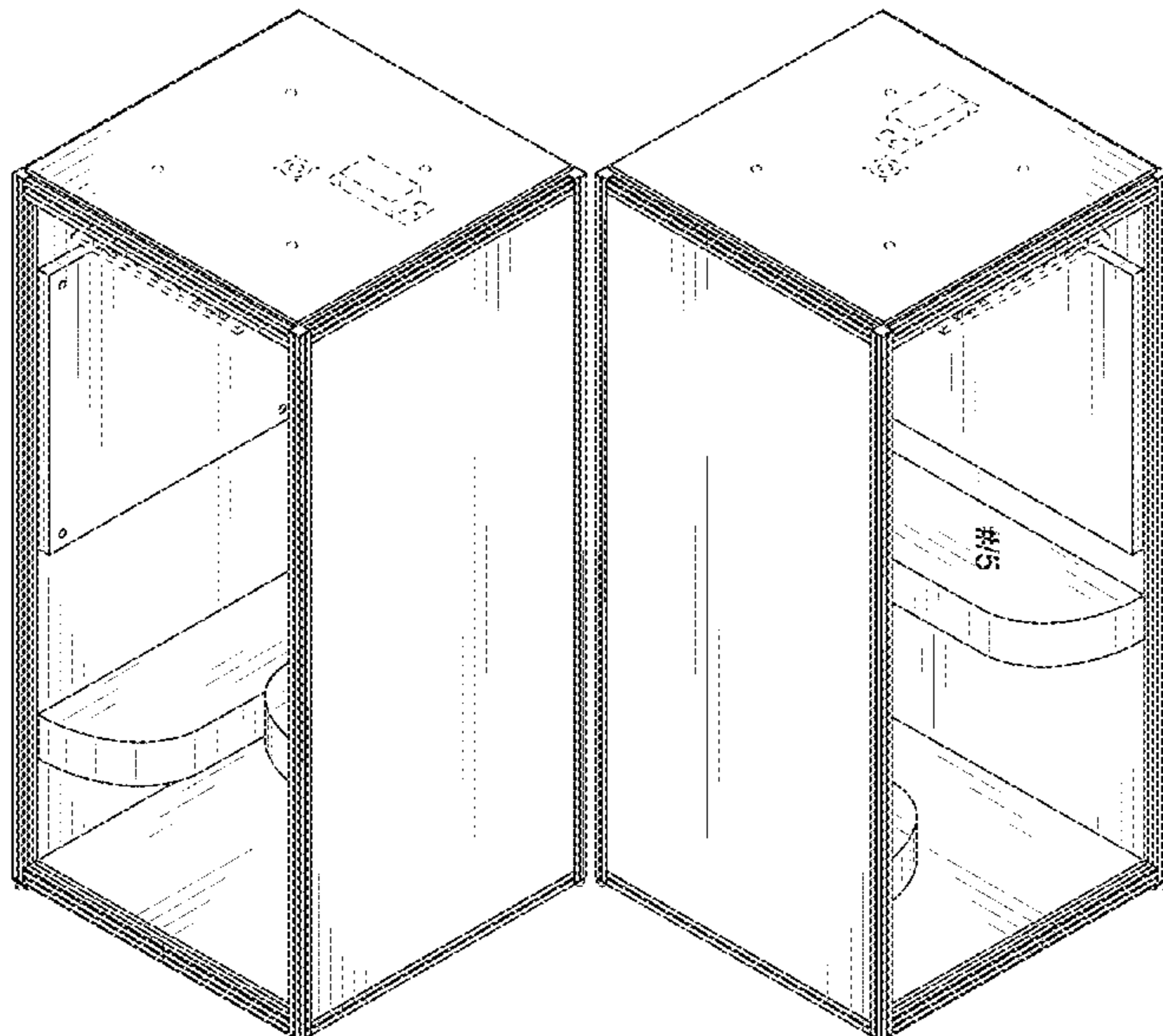
FIG. 4 is a right side view of the communications booth;

FIG. 5 is a left side view of the communications booth; and,

FIG. 6 is a top view of the communications booth.

The broken lines depict portions of the communications booth that form no part of the claimed design.

1 Claim, 5 Drawing Sheets



(56)

References Cited

U.S. PATENT DOCUMENTS

D857,233 S * 8/2019 Zhu D25/16
D870,316 S * 12/2019 Haveri D25/16
D880,000 S * 3/2020 Albarran D25/16
D911,552 S * 2/2021 Kitada D25/16
2003/0089464 A1 5/2003 Lewis
2012/0040204 A1 2/2012 Lyubomirskiy
2015/0152645 A1 6/2015 Burnett
2016/0312486 A1* 10/2016 Booker E04H 1/125
2018/0305943 A1 10/2018 Pucci et al.

* cited by examiner

FIG. 1

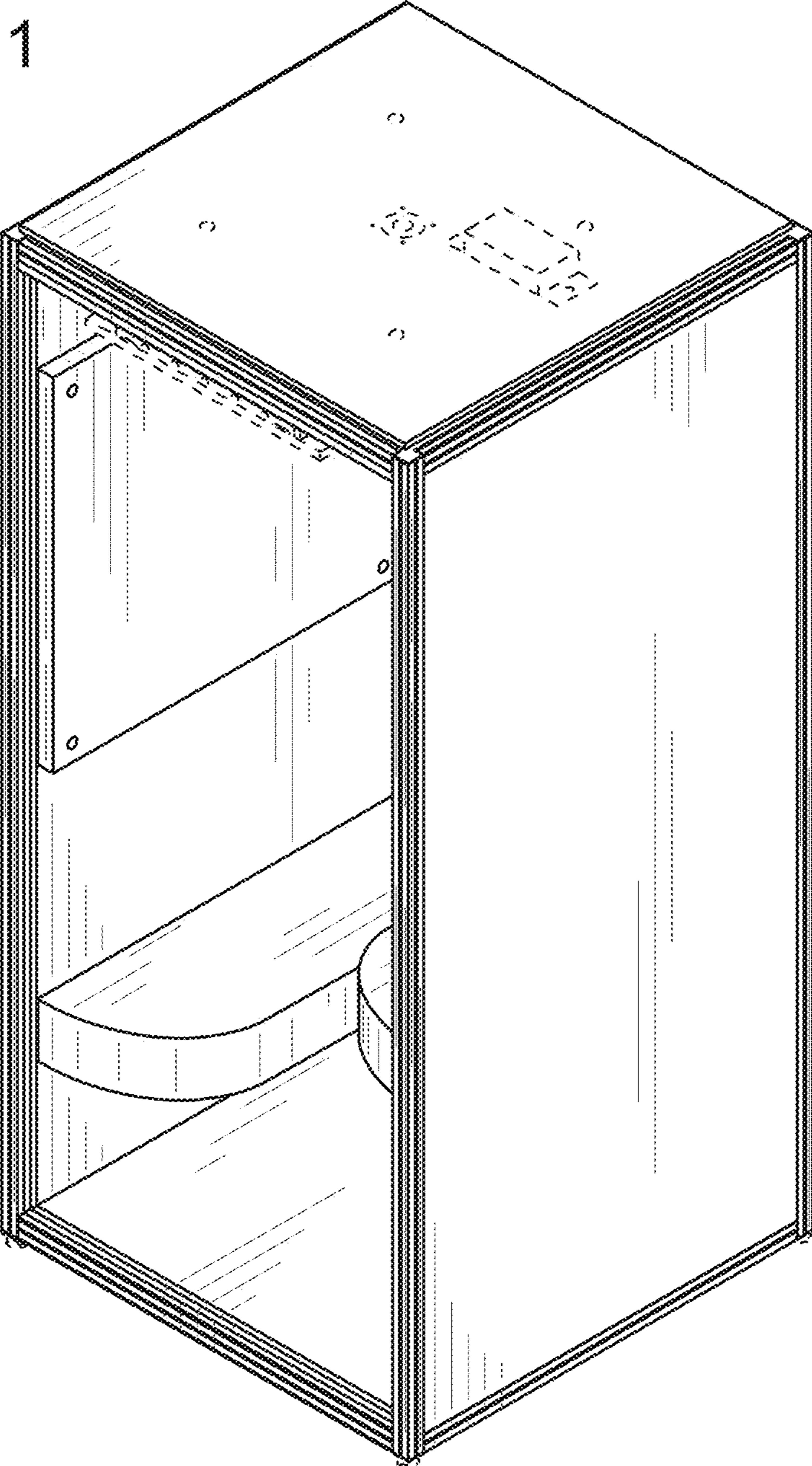


FIG. 2

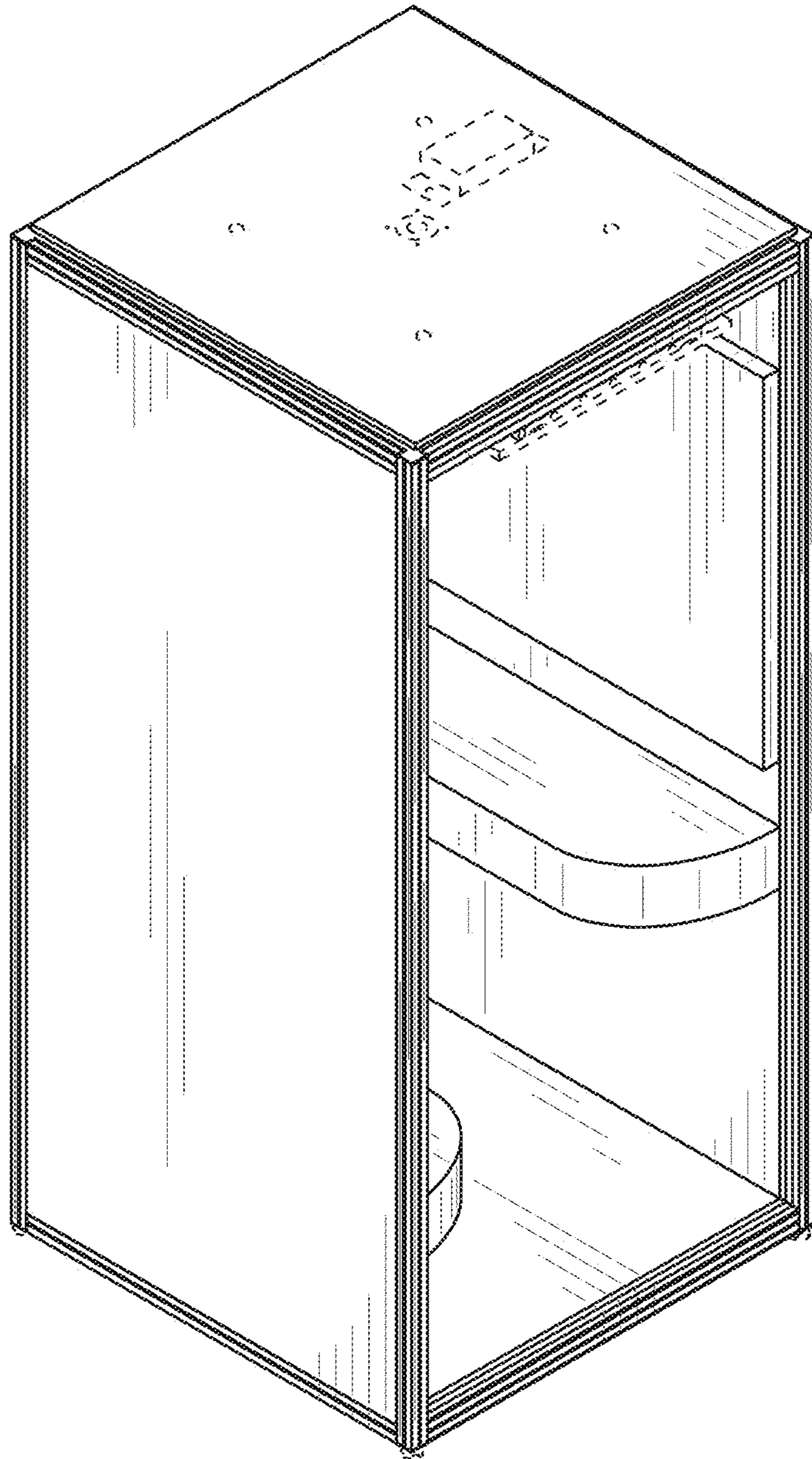


FIG. 3

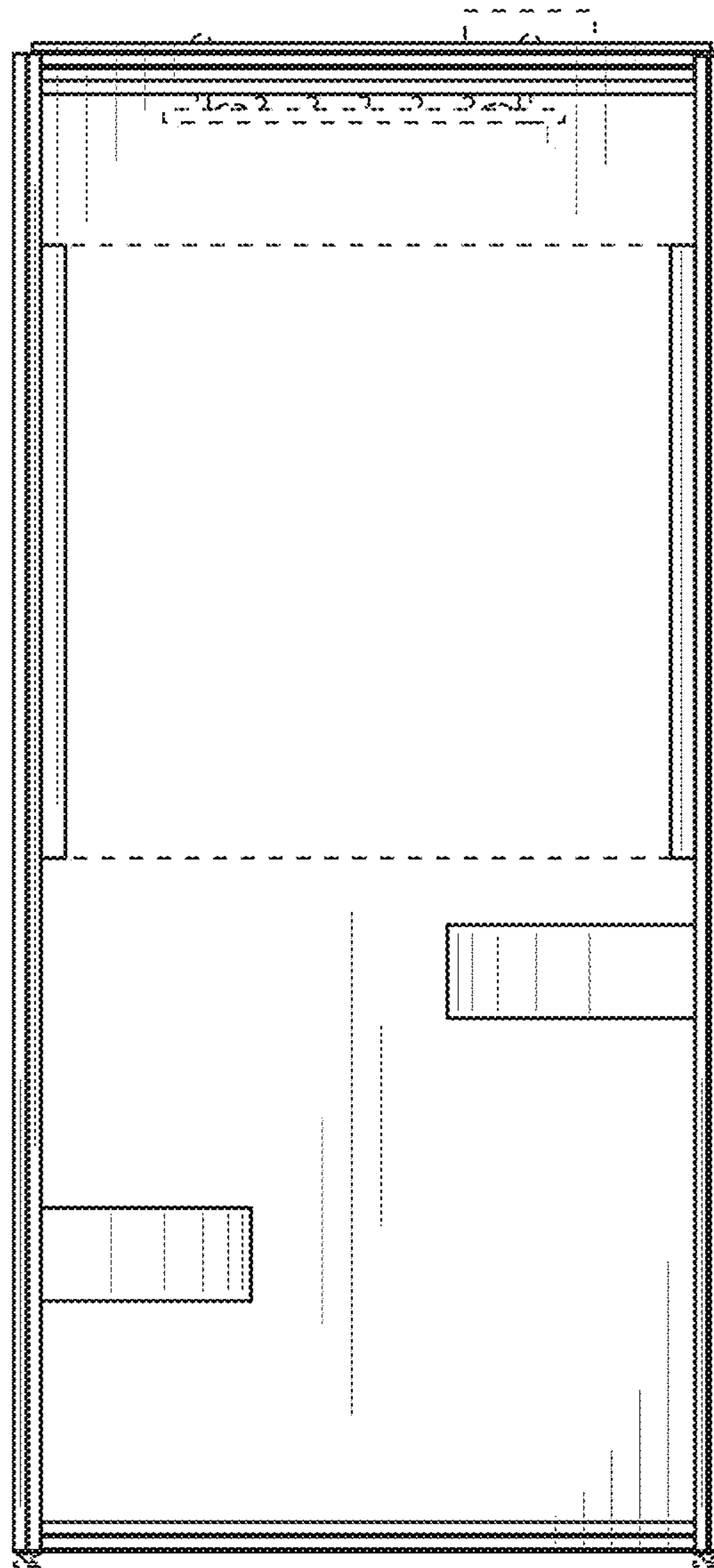


FIG. 4

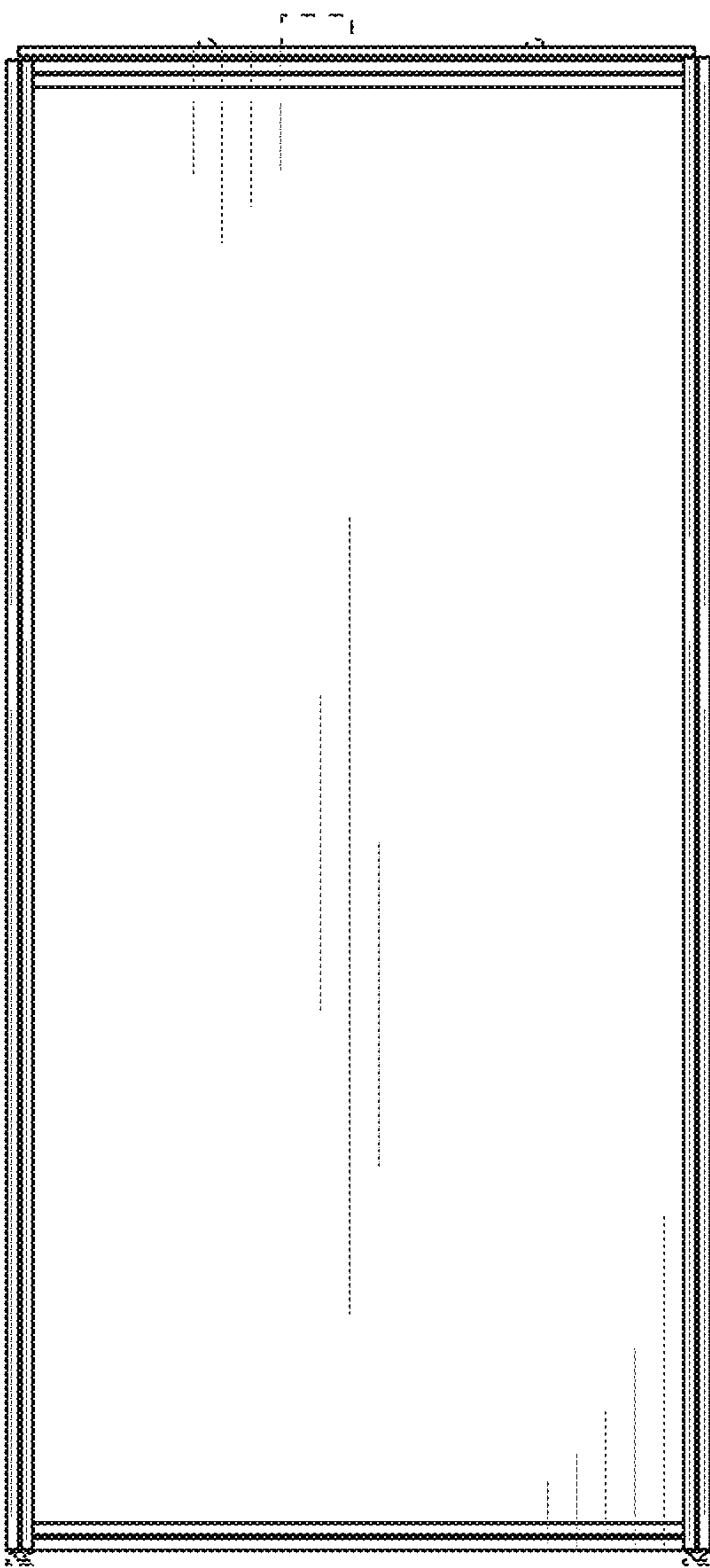


FIG. 5

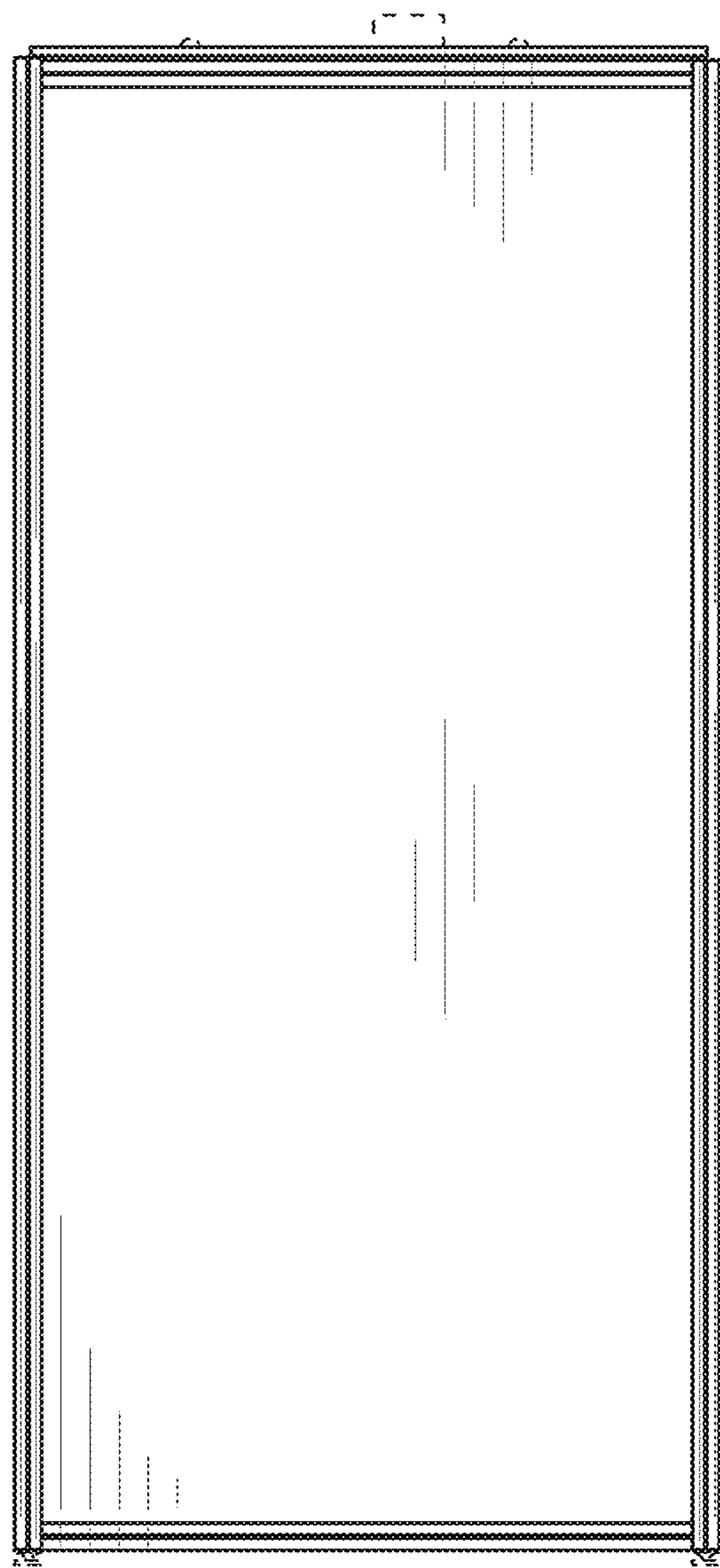


FIG. 6

